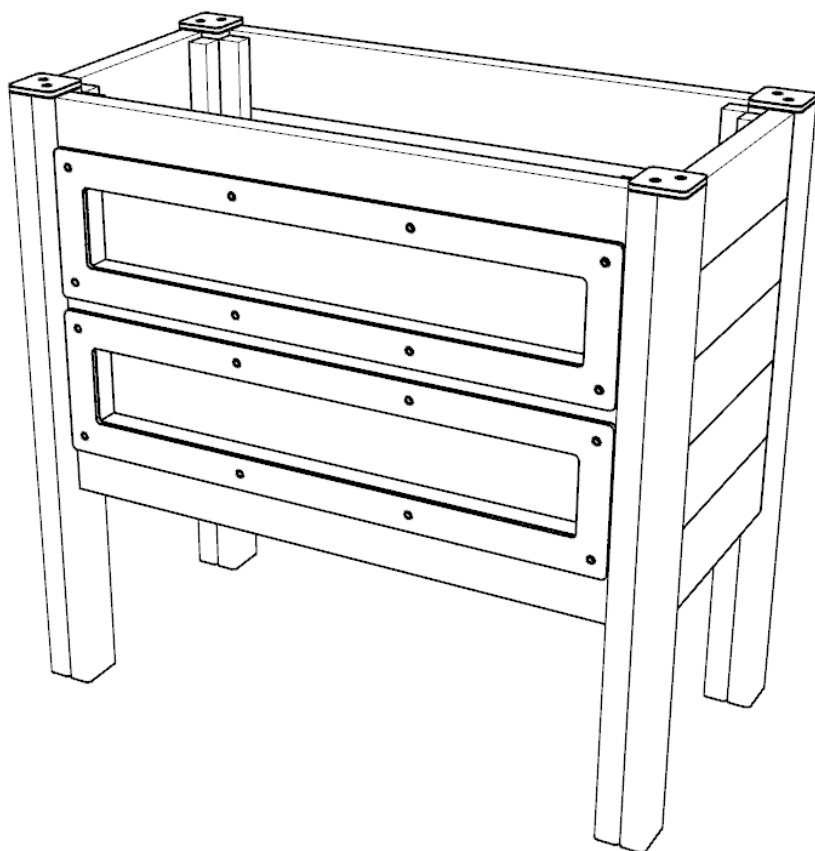


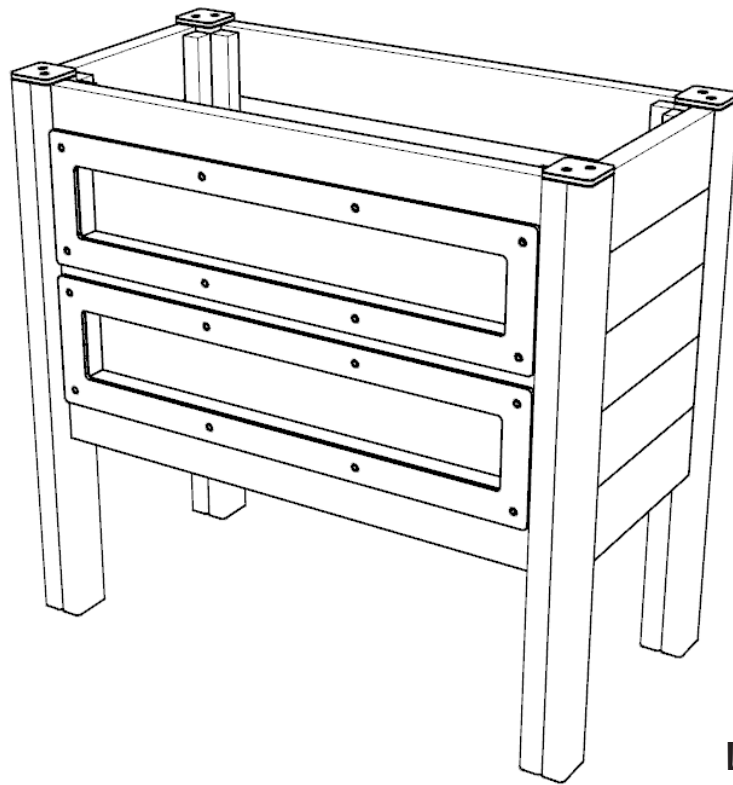
SG110 - VIEWING PLANTER

Installation Instructions

**creative
play**



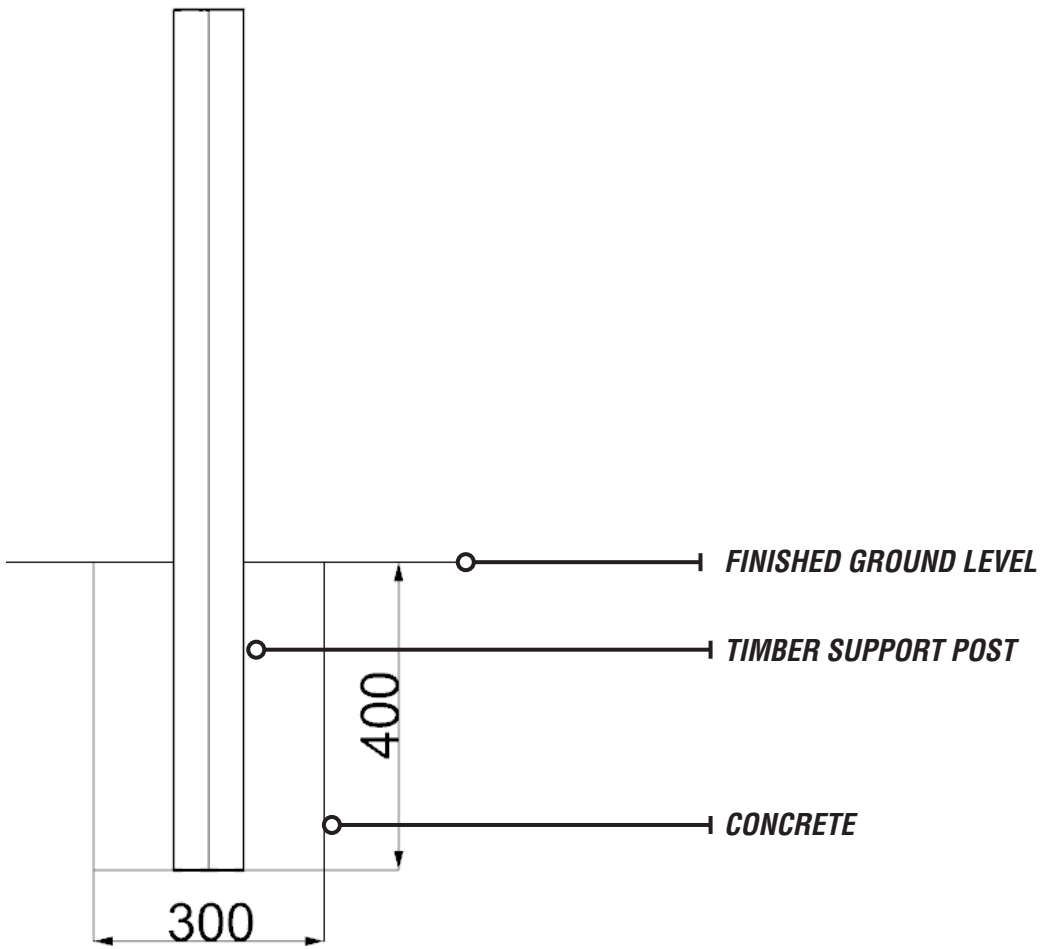
PARTS REQUIRED



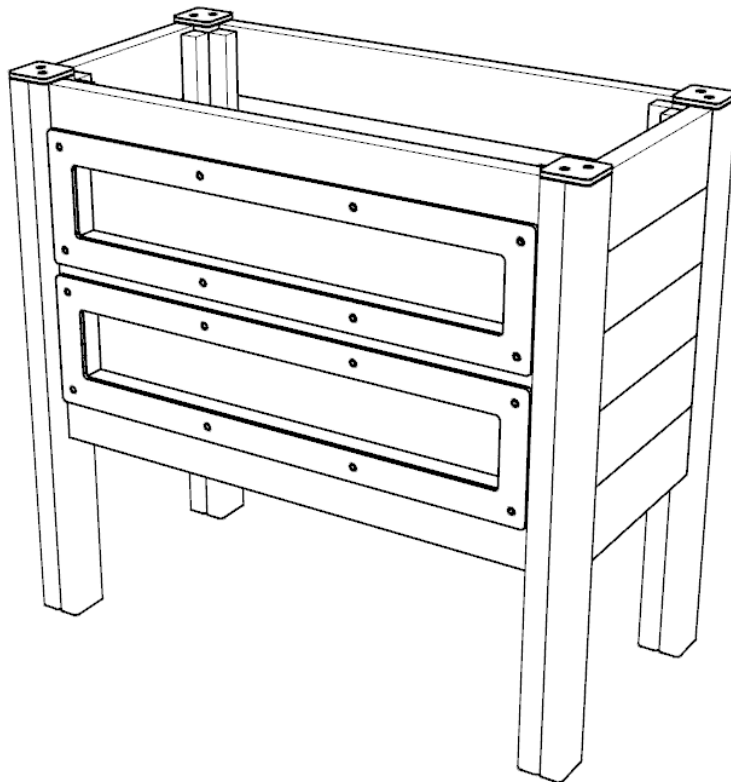
VIEWING PLANTER

FOUNDATION DETAILS





1 **SET TIMBER PLANTER INTO FOUNDATIONS**
AS SHOWN ON FOUNDATION DETAILS PAGE



ADDITIONAL DIMENSIONS

