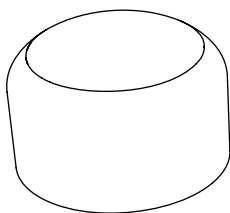
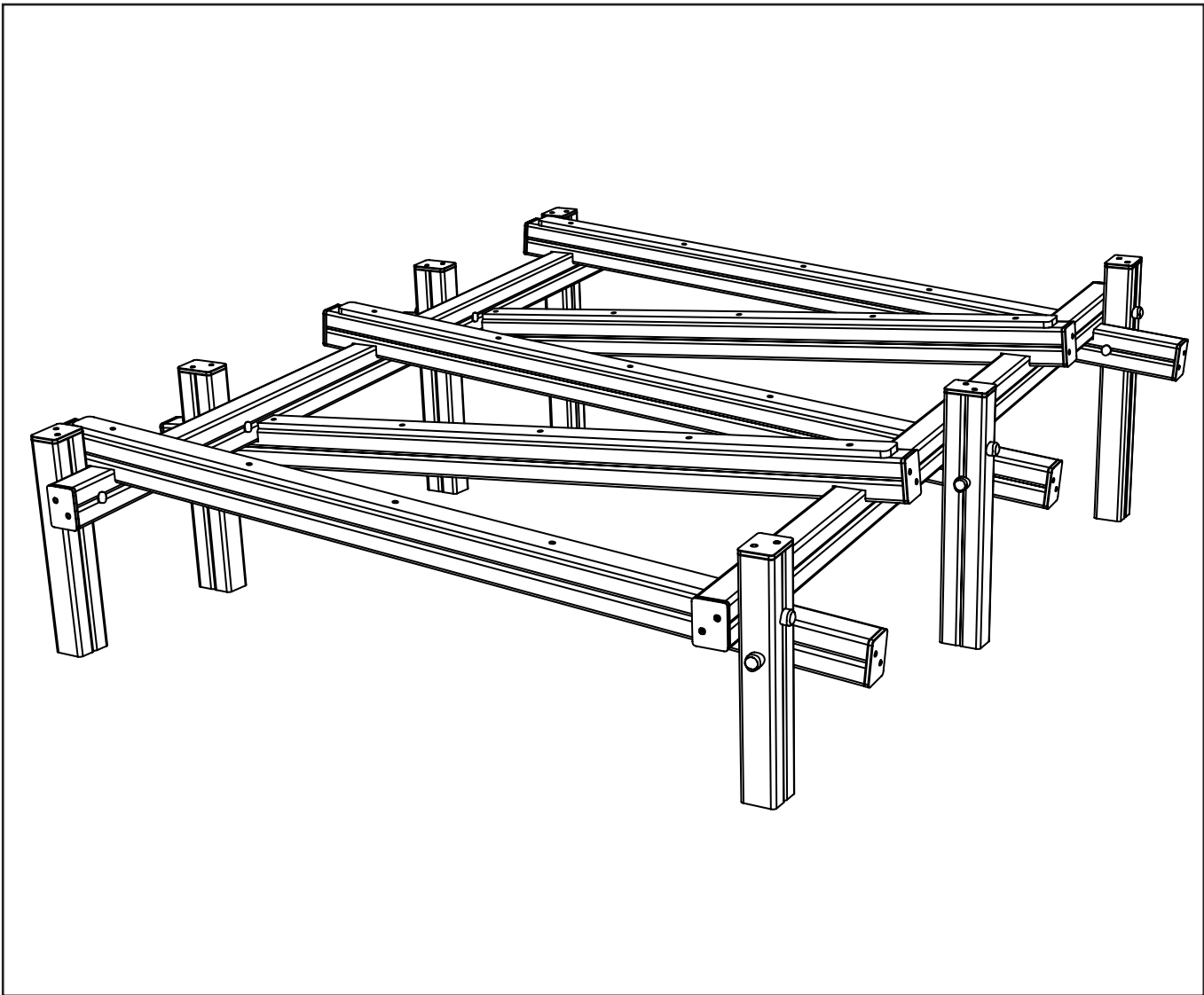


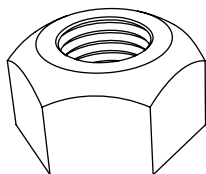
# CH146 - INCLINED LOG CLIMBER

## Installation Instructions



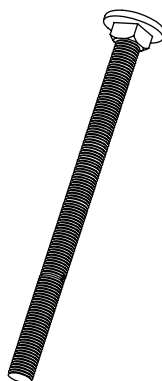
x14

102003-01



x14

656.M12

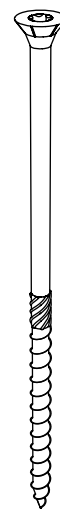


x7

274.M12X200

x5

274.M12X230

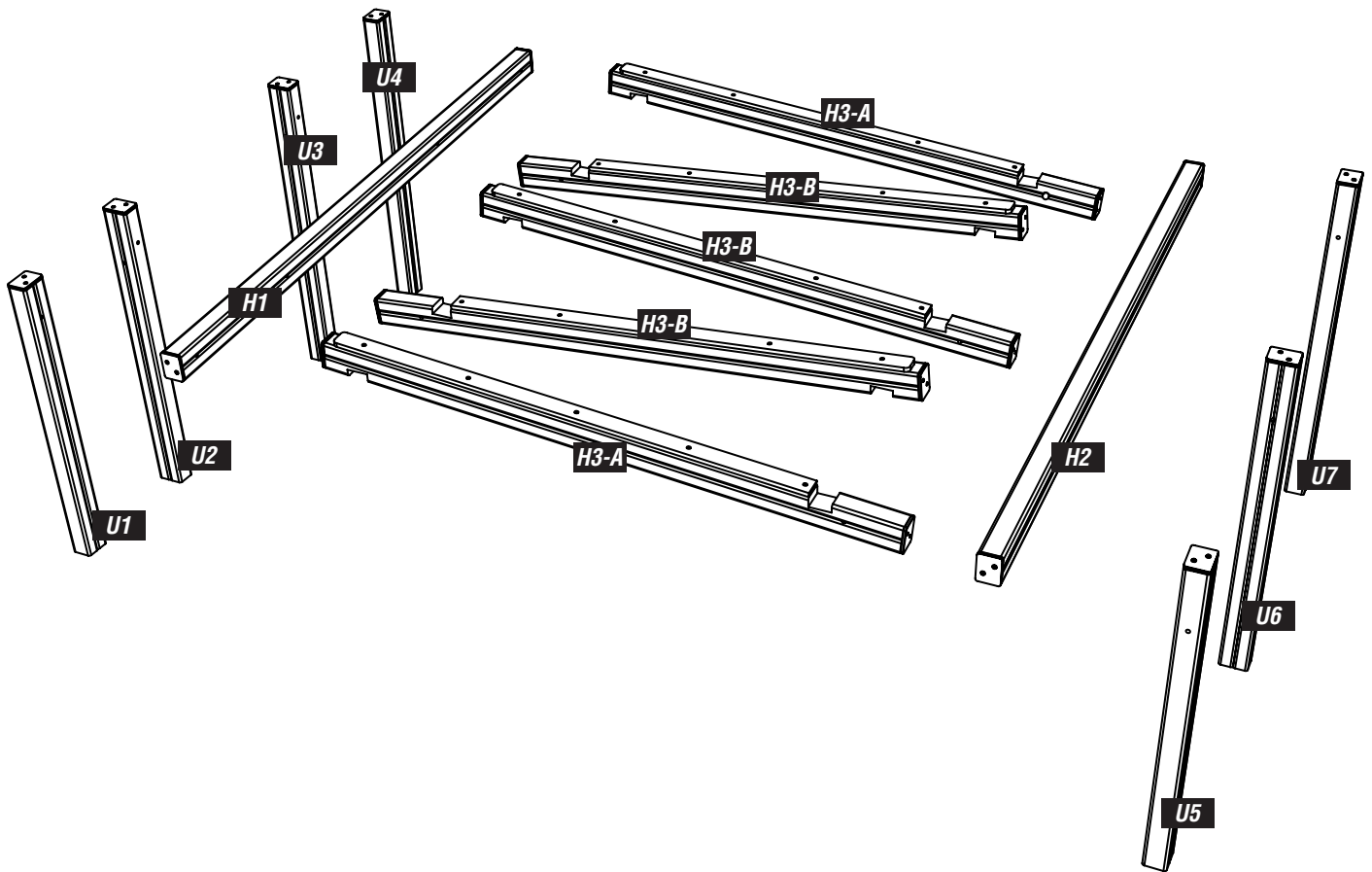


x5

97.M8X180CSK

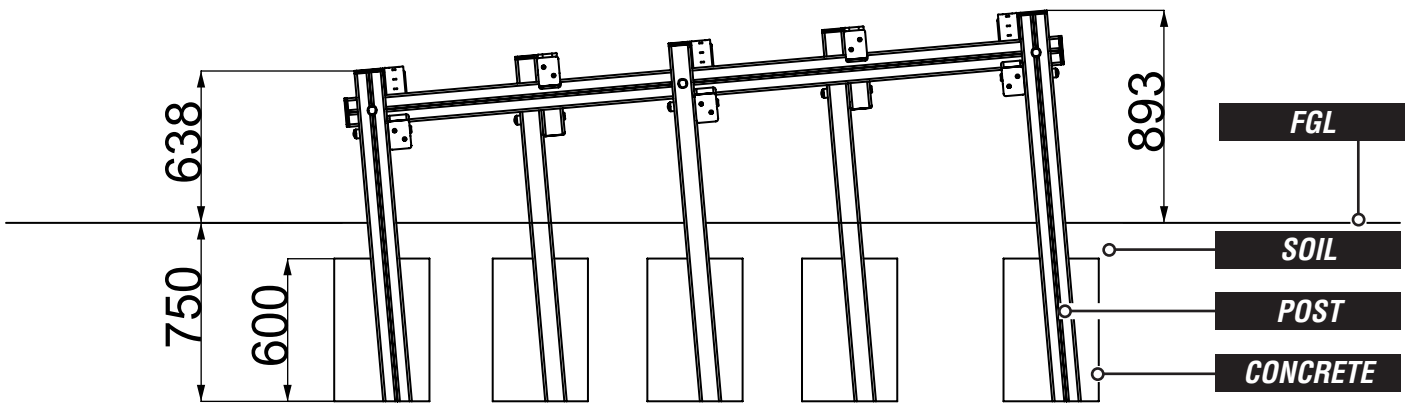
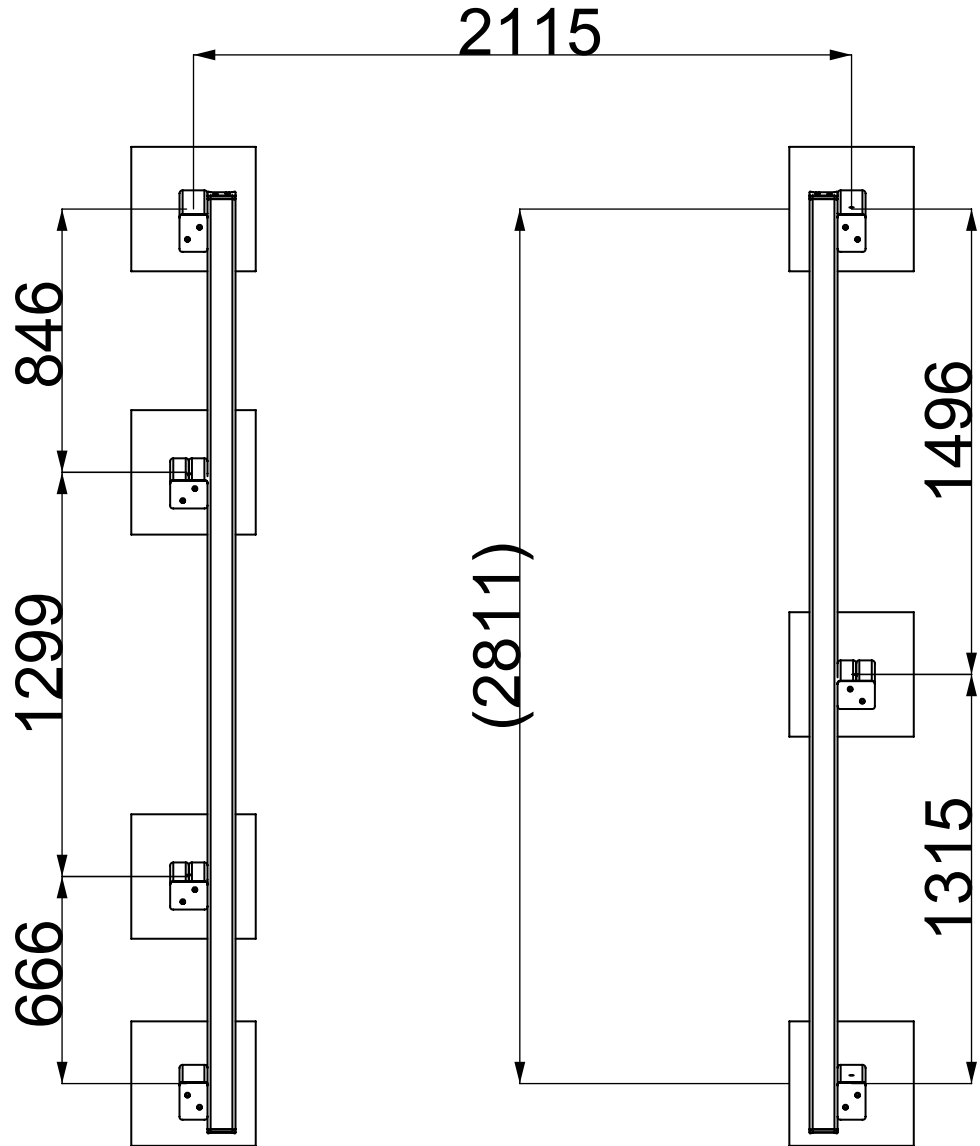
# ***PARTS REQUIRED CONTINUED...***

---



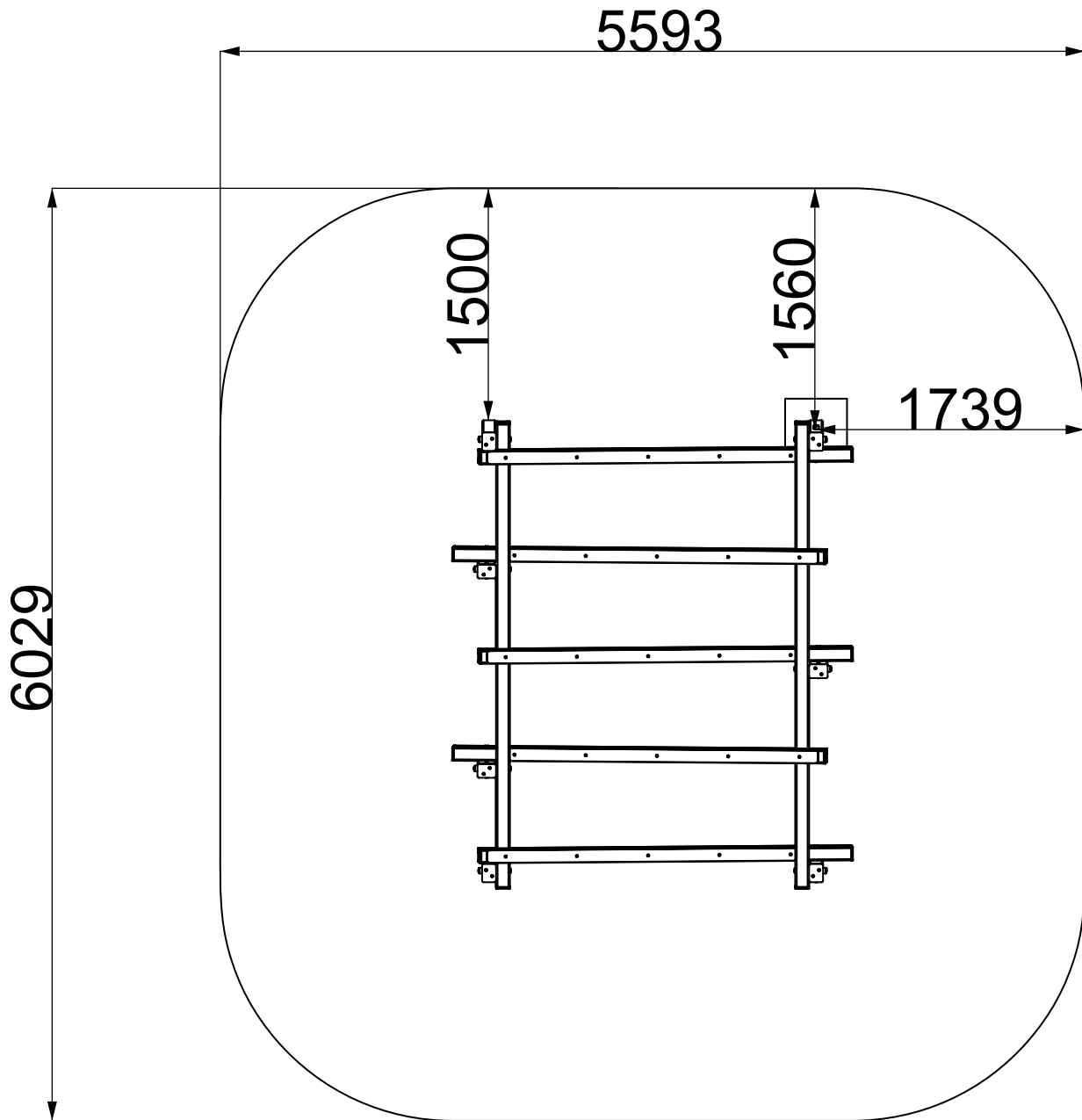
## **TIMBERS REQUIRED**

# FOUNDATIONS



# ***SURFACING***

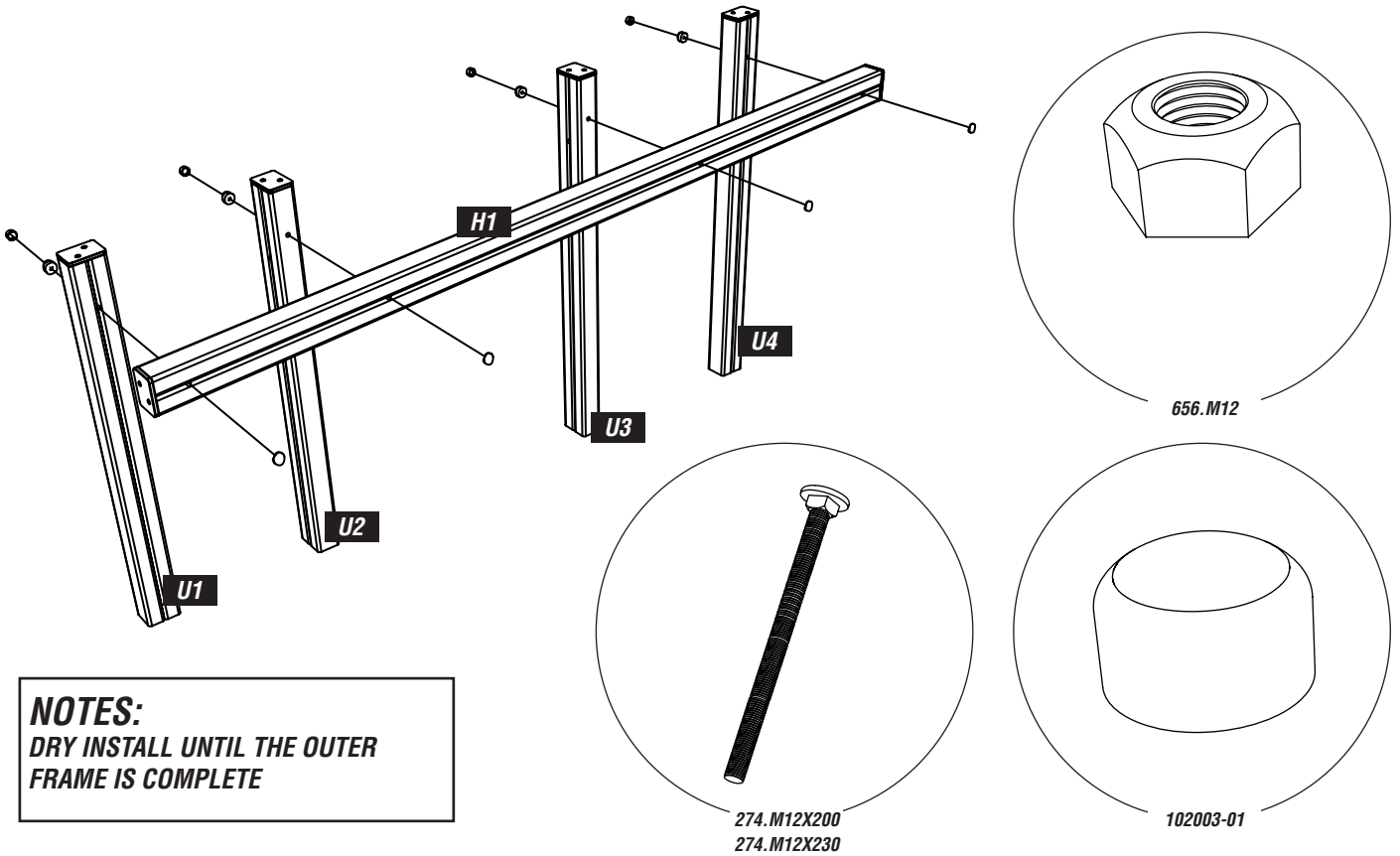
---



# INSTALLATION INSTRUCTIONS

## 1 BOLT U1-U4 TO H1 TIMBER

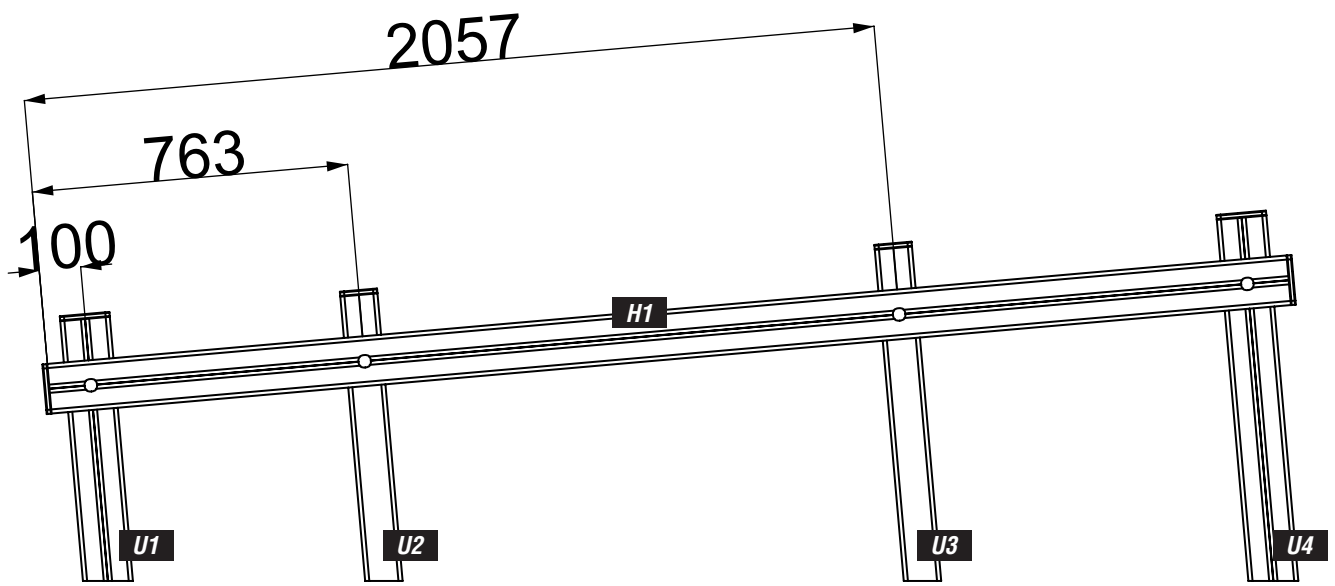
USING - 274.M12X200 (U1 & U4) / 274.M12X230 (U2 & U3) / 656.M12 / 102003-01



**NOTES:**  
DRY INSTALL UNTIL THE OUTER  
FRAME IS COMPLETE

## 2 ENSURE ASSEMBLY IS CONSTRUCTED AS SHOWN BELOW

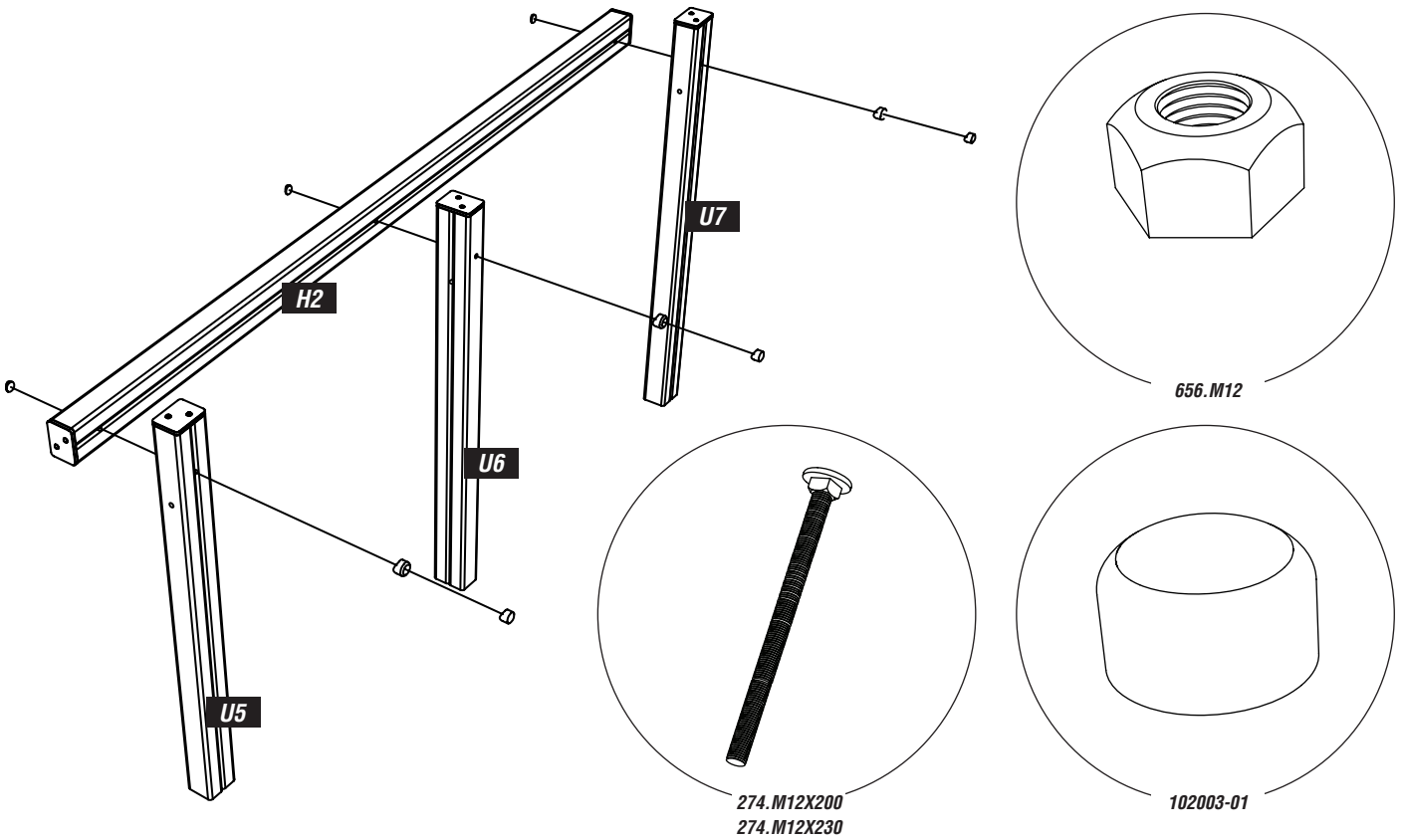
PLEASE TAKE EXTRA CARE TO ENSURE POSTS ARE POSITIONED CORRECTLY - GROOVE / FLAT FACES



# INSTALLATION INSTRUCTIONS

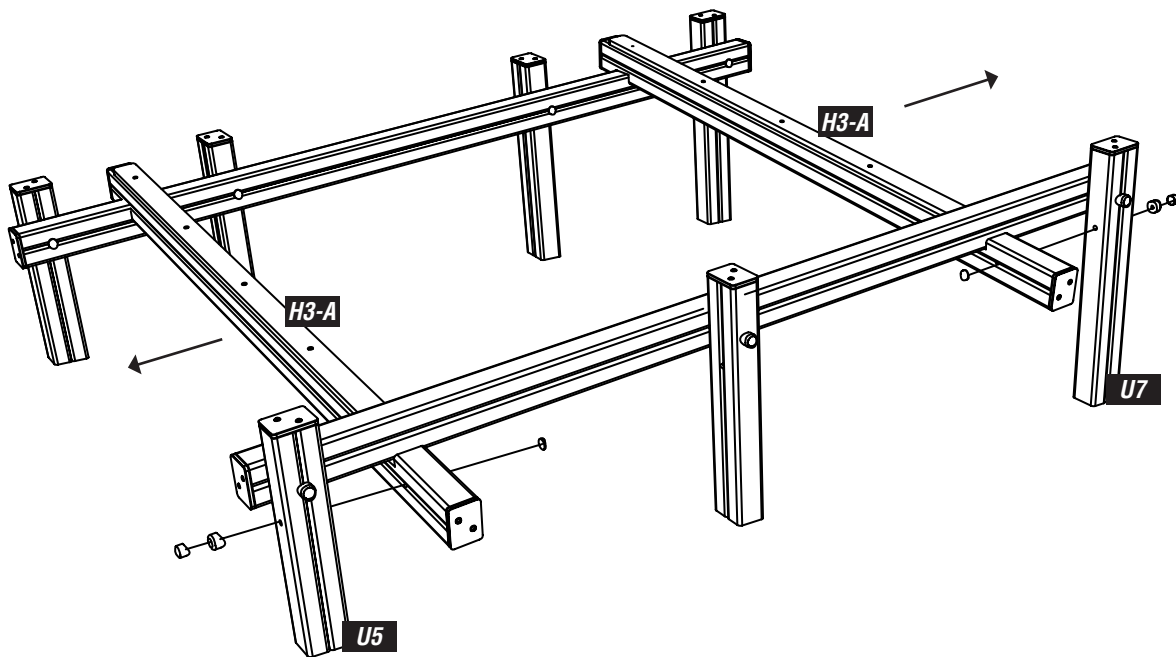
## 3 BOLT U5-U7 TO H2 TIMBER

USING - 274.M12X200 (U1 & U4) / 274.M12X230 (U2 & U3) / 656.M12 / 102003-01



## 4 BOLT H3-A TIMBERS TO U5 & U7 TIMBERS

USING - 274.M12X230 / 656.M12 / 102003-01

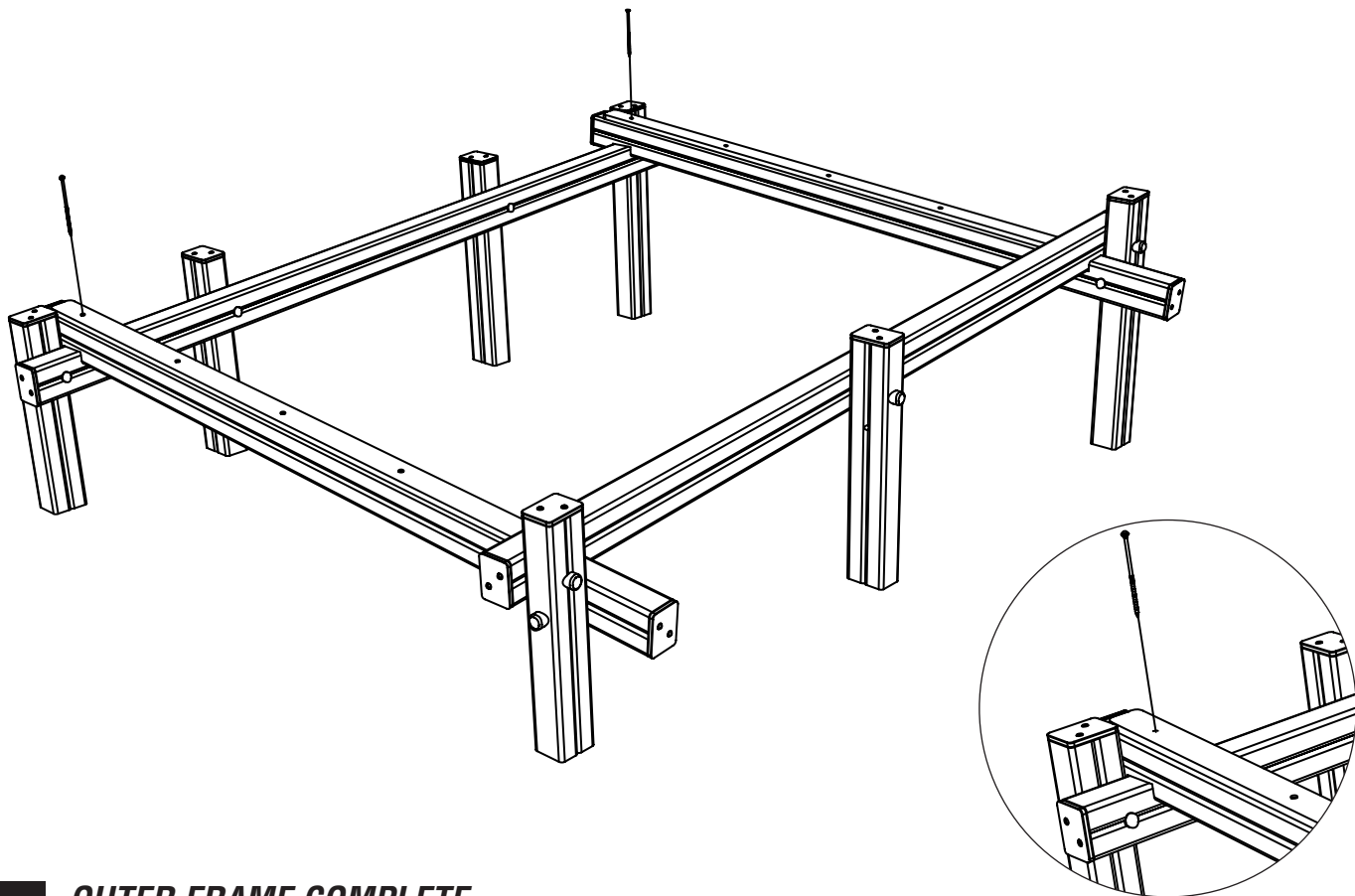


# INSTALLATION INSTRUCTIONS

**5**

**SCREW THE OPPOSITE END (H3-A) INTO THE H1 TIMBER**

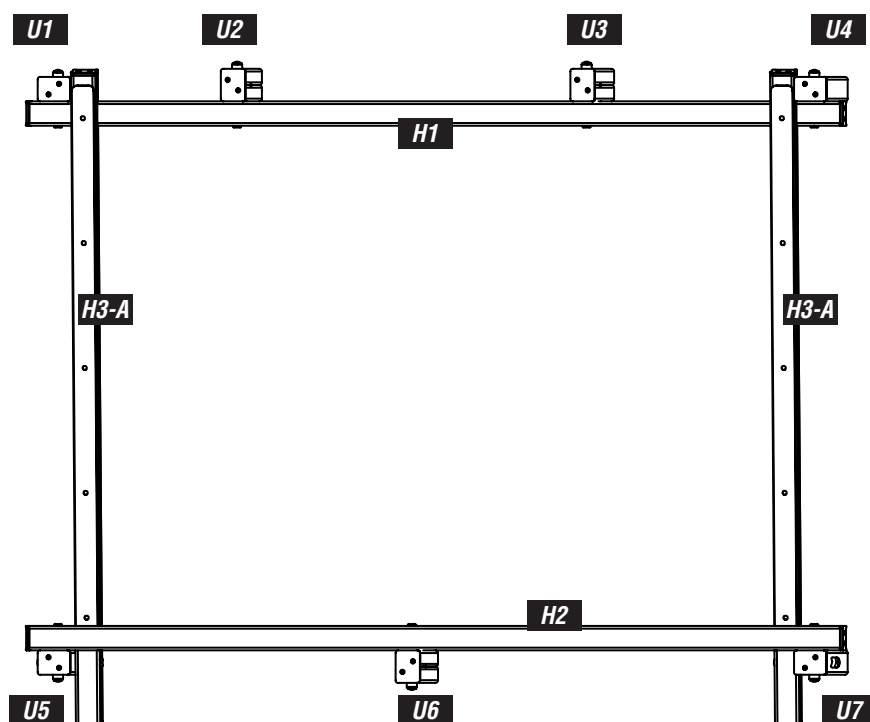
USING - 97.M8X180CSK WOOD SCREWS



**6**

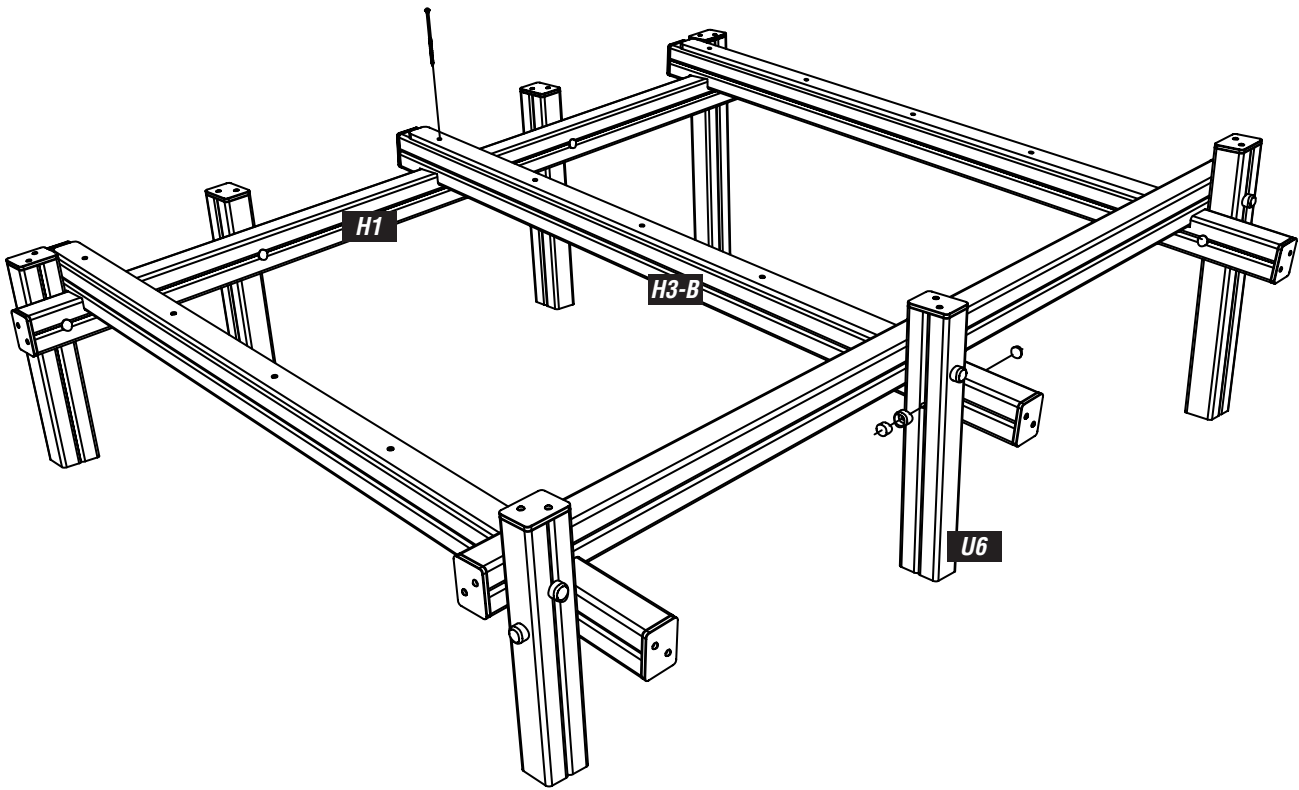
**OUTER FRAME COMPLETE**

ENSURE THE OUTER FRAME IS CONSTRUCTED AS SHOWN



# INSTALLATION INSTRUCTIONS

**7** BOLT & SCREW H3-B TIMBER TO H1 & U6  
USING - 97.M8X180CSK / 274.M12X200 / 656.M12 / 102003-01



**8** BOLT & SCREW H3-B TIMBER TO H2 & U2 / U3  
USING - 97.M8X180CSK / 274.M12X200 / 656.M12 / 102003-01

