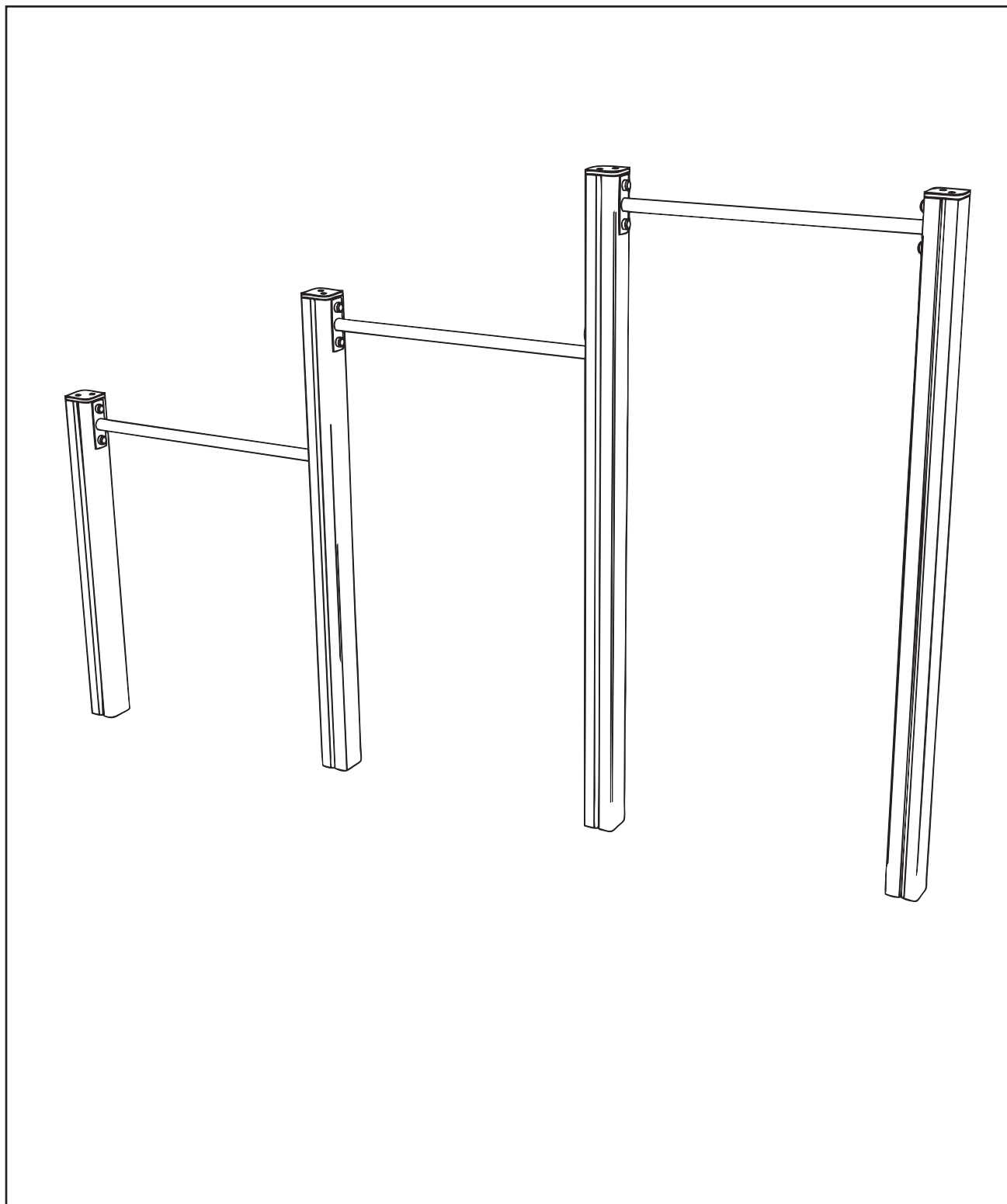


PULL UP BARS

Installation Instructions

**creative
play**



PARTS required



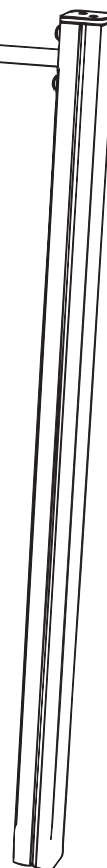
PUB1



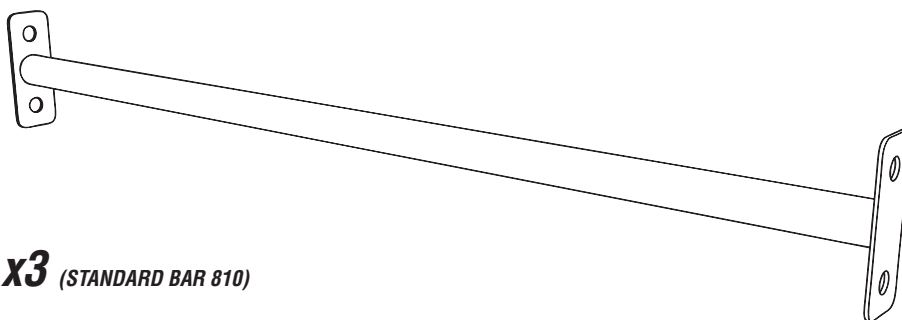
PUB2



PUB3



PUB3



x3 (STANDARD BAR 810)

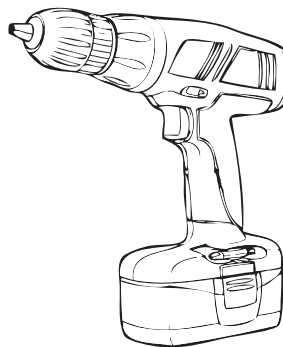
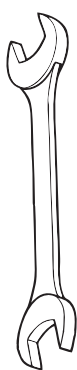


x12 (BLUE End Caps)

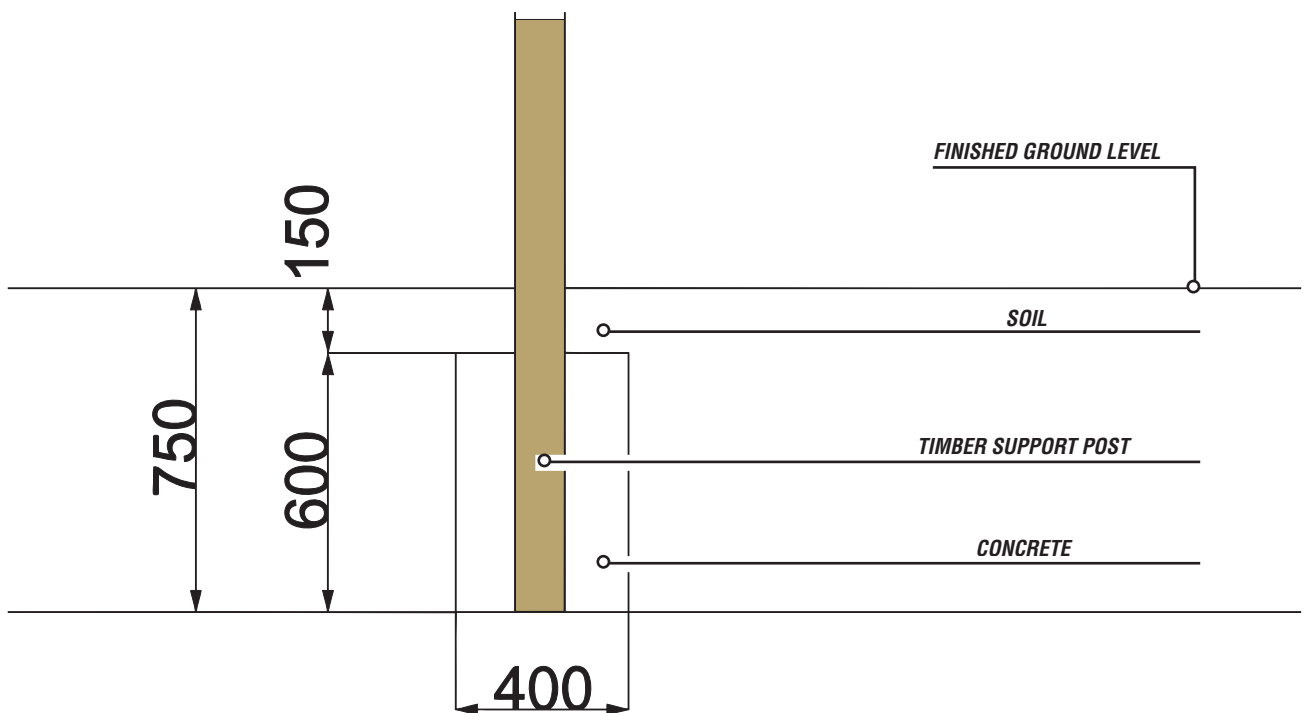
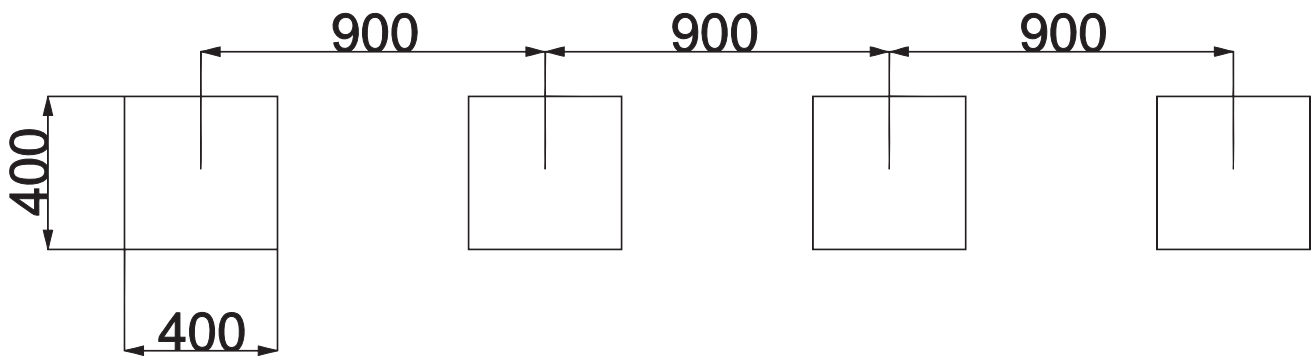


x12 (FM80 'Brass screws')

TOOLS required

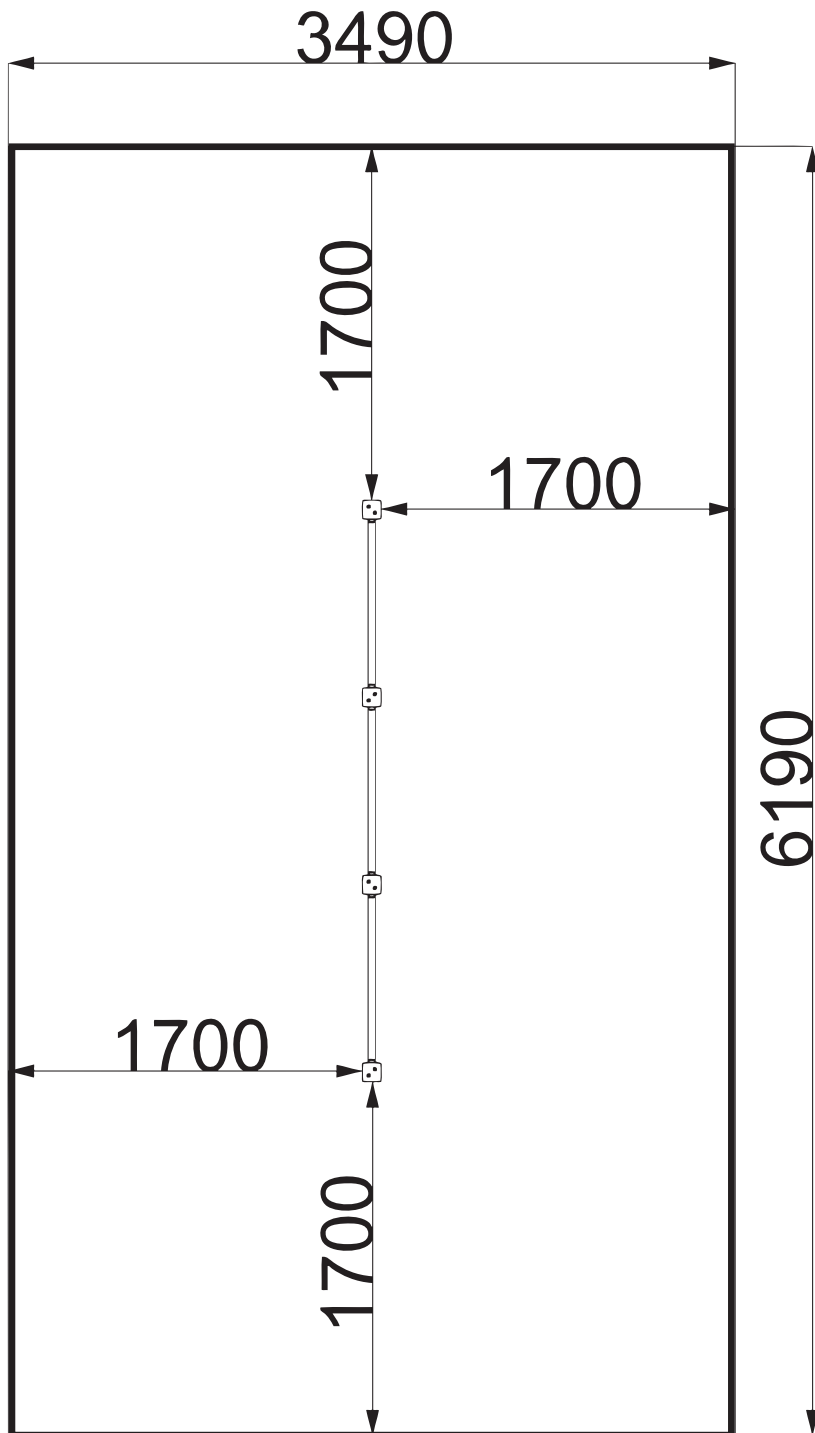


Foundation Details



Surfacing Details

- - - - - = **MINIMUM SPACE**
- = **SURFACE AREA**

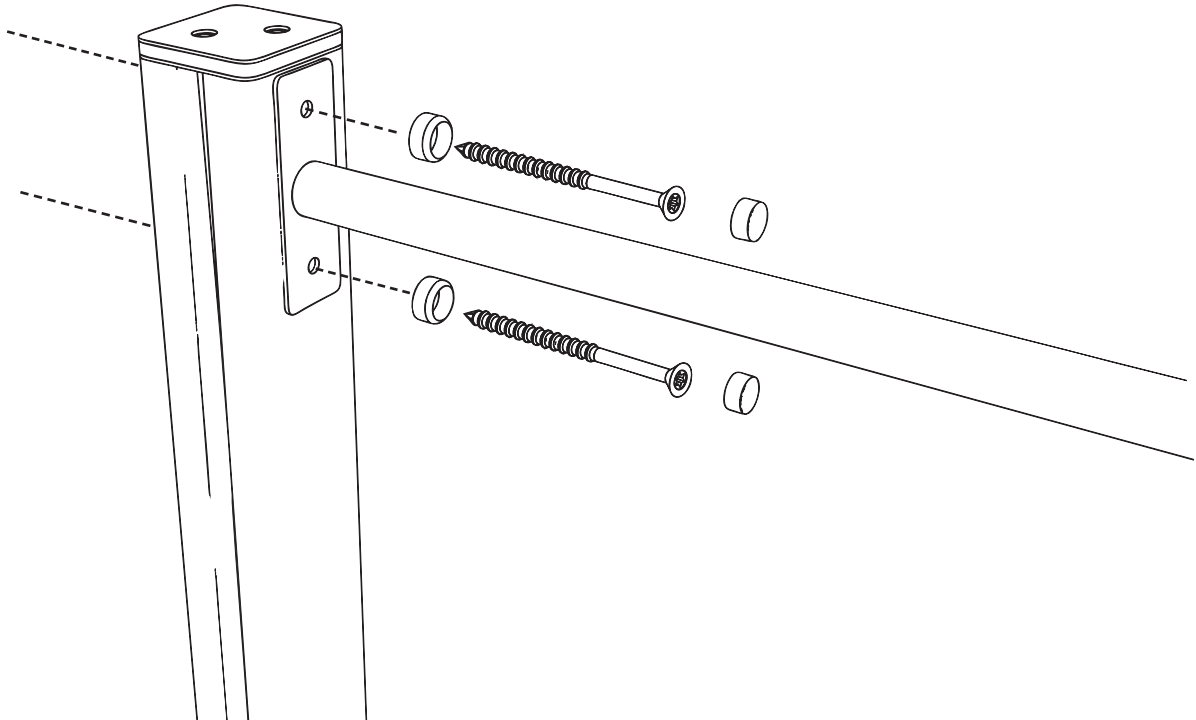


Assembly Instructions

1

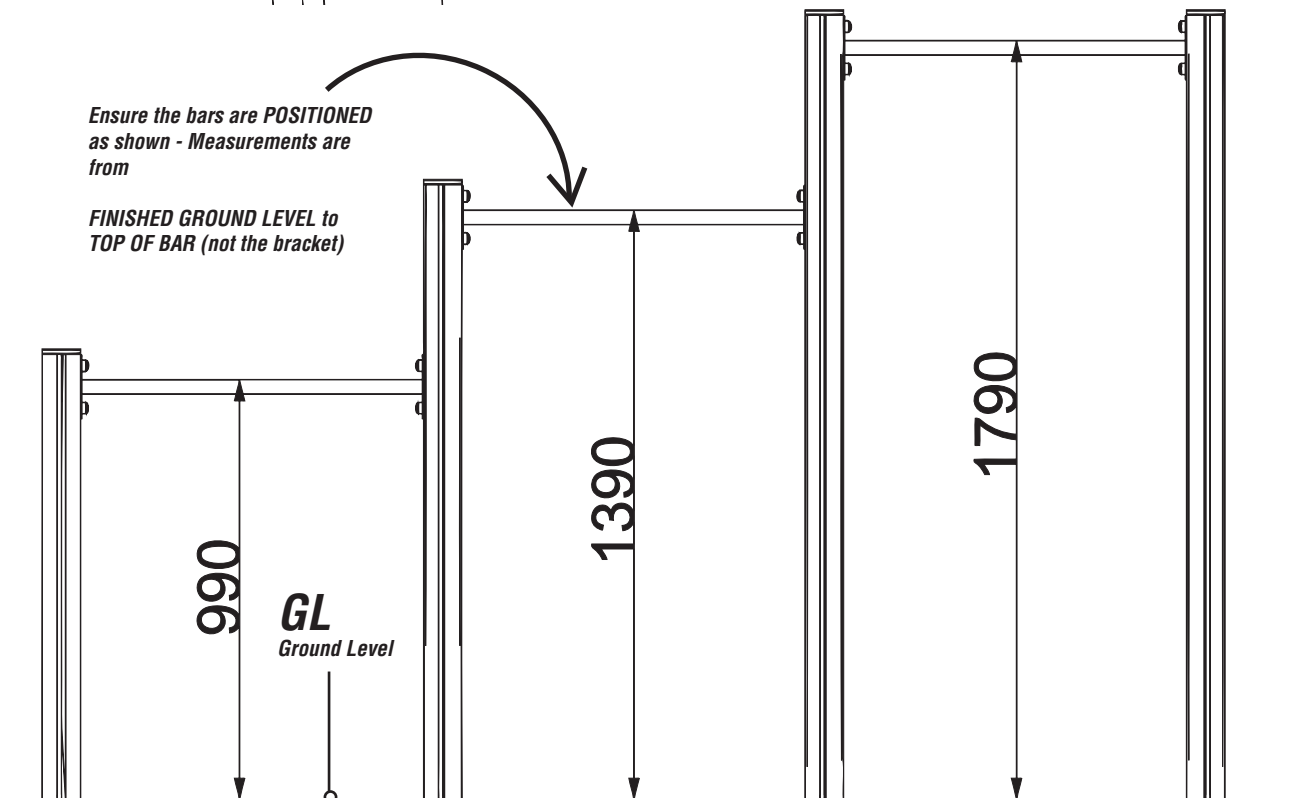
Attach the STANDARD BAR 810 to the timbers

Using FM80 'BRASS SCREWS' and BLUE END CAPS



Ensure the bars are POSITIONED as shown - Measurements are from

FINISHED GROUND LEVEL to TOP OF BAR (not the bracket)



Additional Drawings

