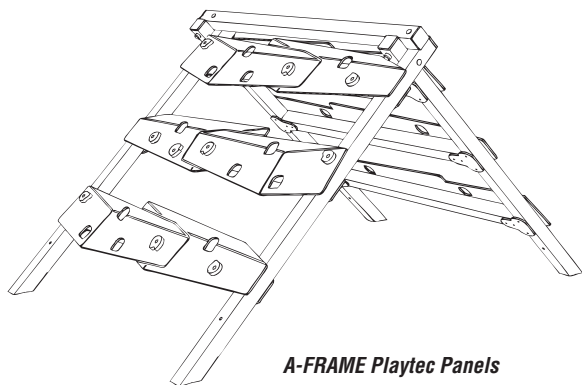
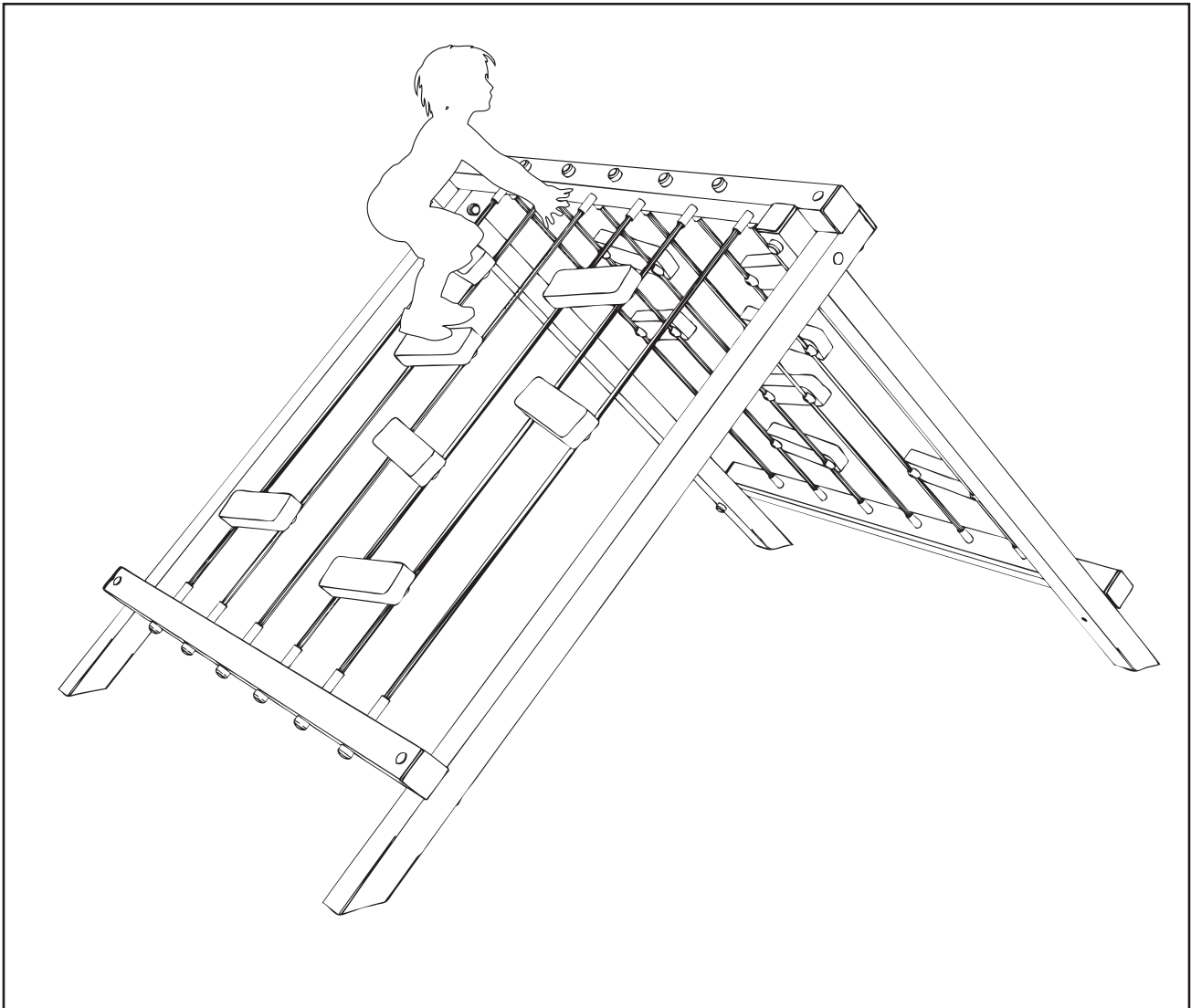
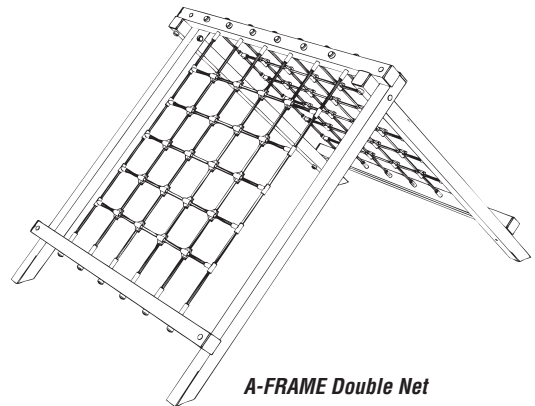


A-FRAME Climbing Blocks

Assembly Instructions

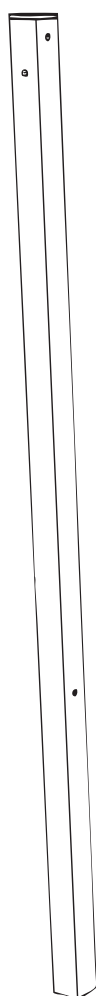


A-FRAME Playtec Panels



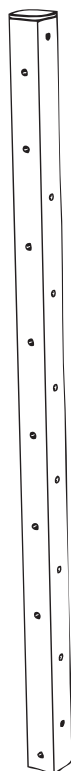
A-FRAME Double Net

PARTS required



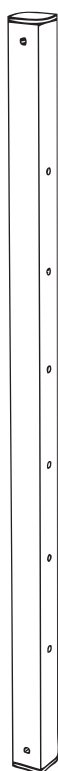
x4
(includes
end cap)

AF1



x1
(includes
end caps)

AF2



x2
(includes
end caps)

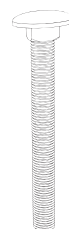
AF3



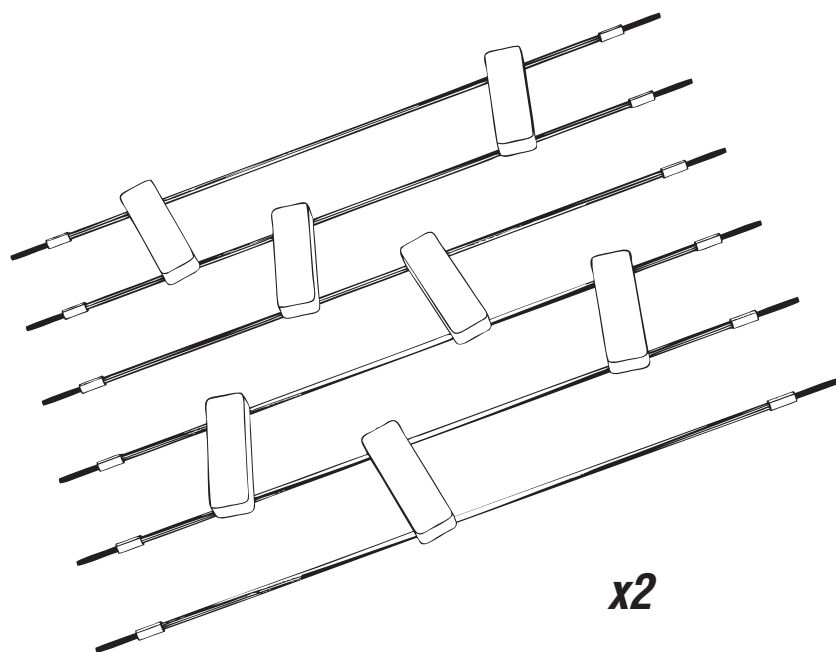
x34 (End Caps)



x34 (M12 Nylocs)

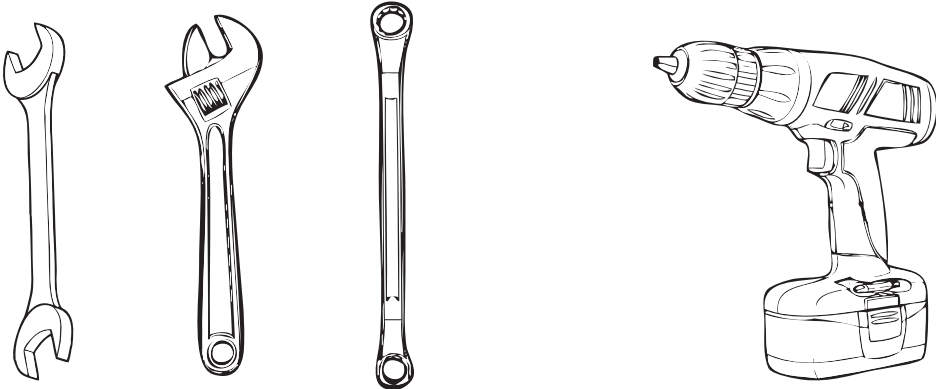


x10 (M12 220 cup square hex)



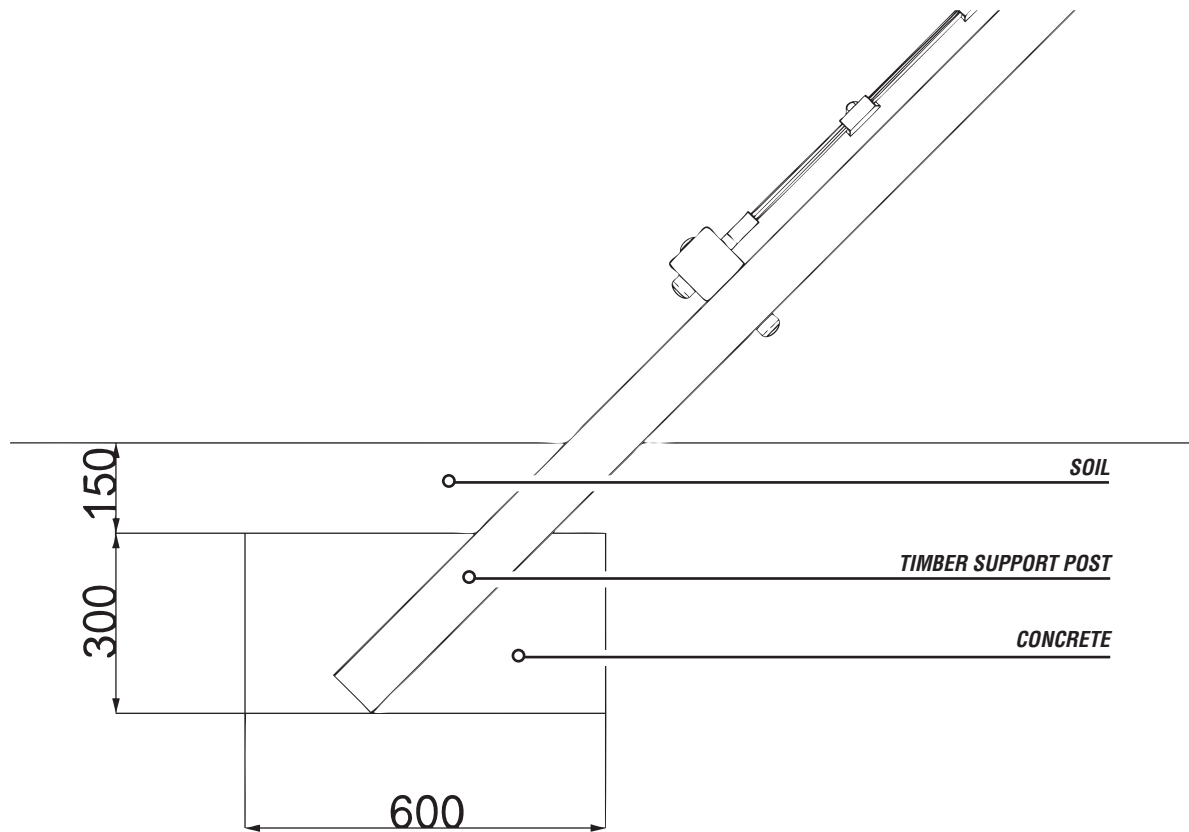
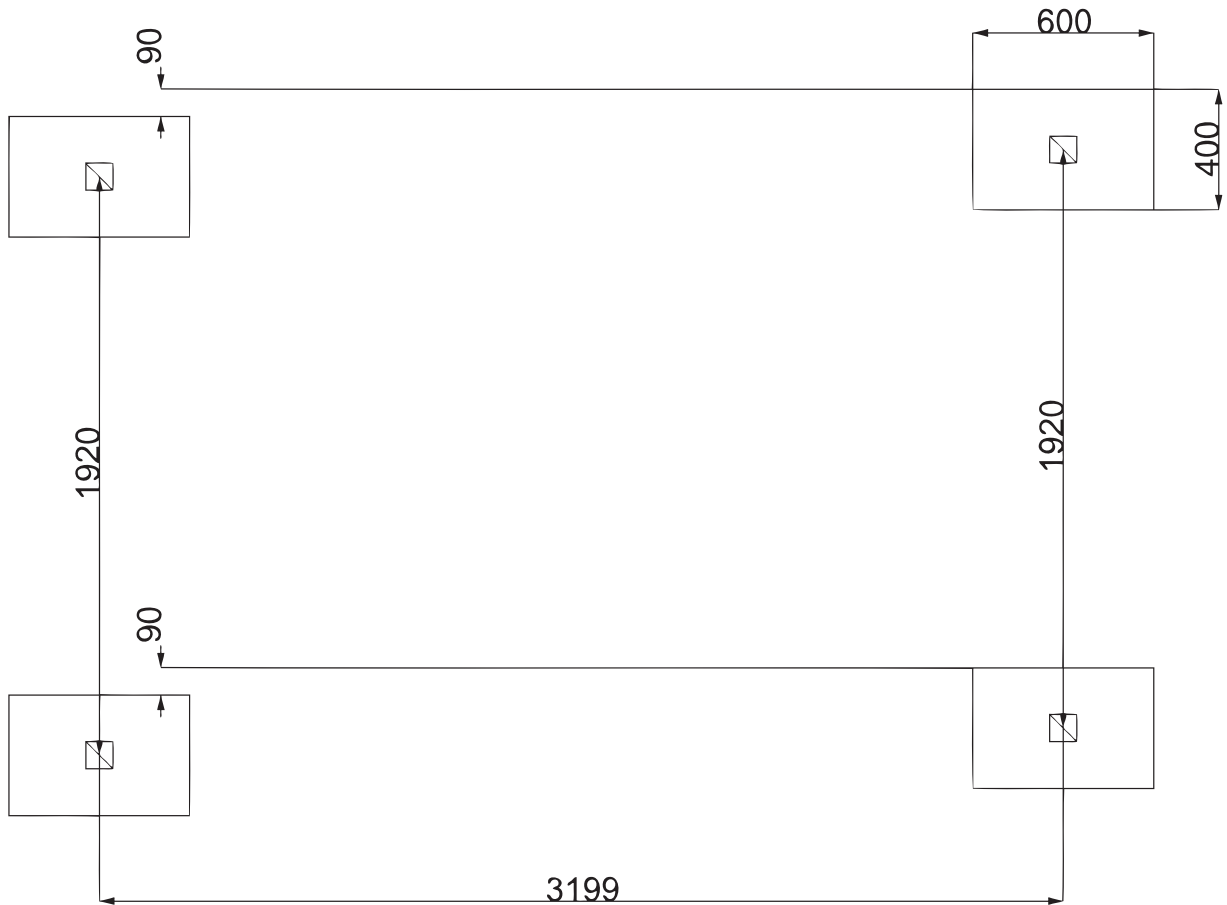
x2

TOOLS required



Notes:

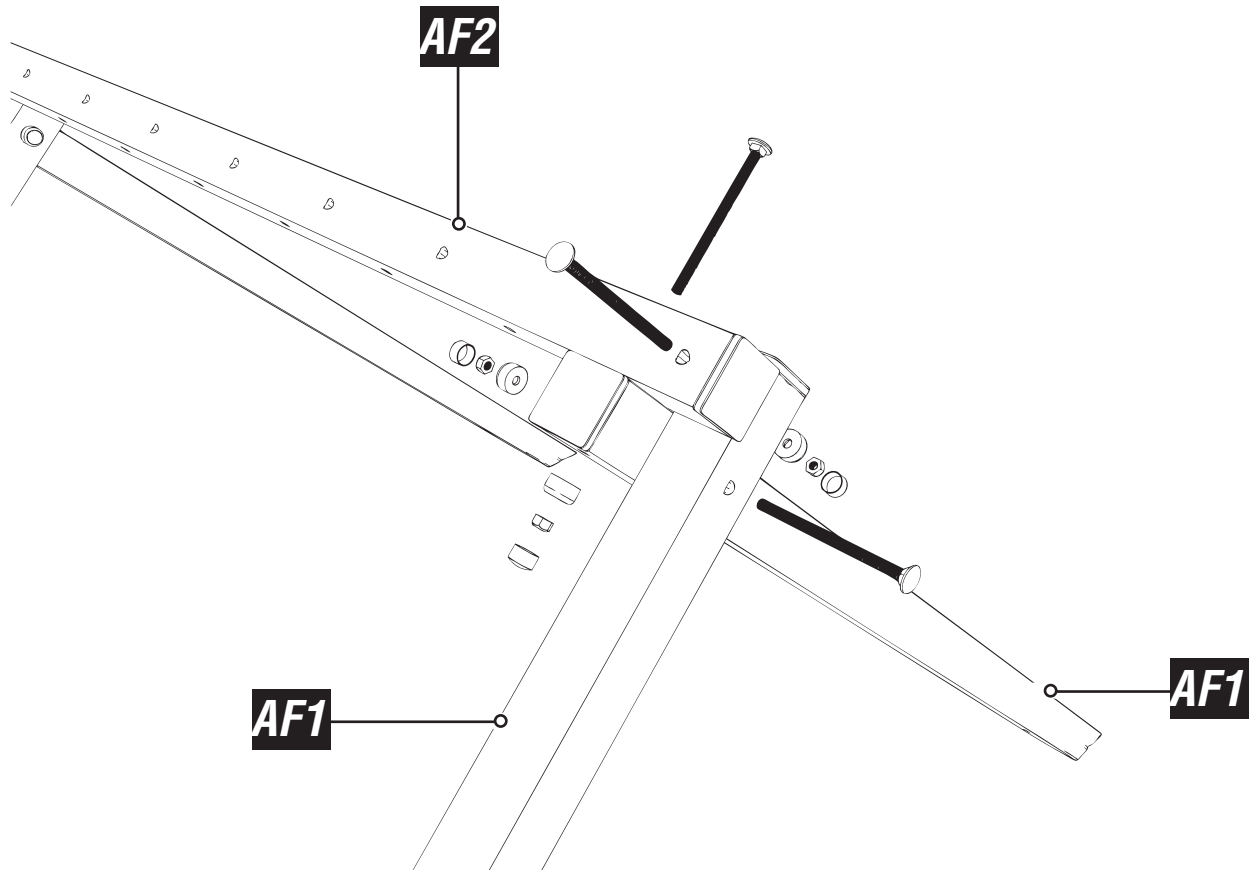
Foundation Details



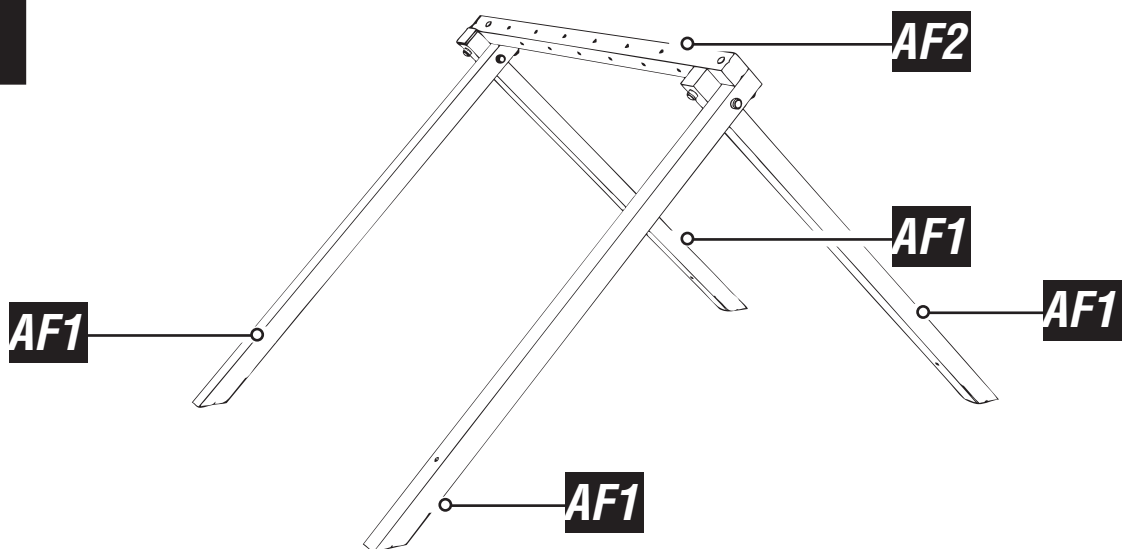
Assembly Instructions

1

Bolt AF1 & AF2 timber to create A-FRAME



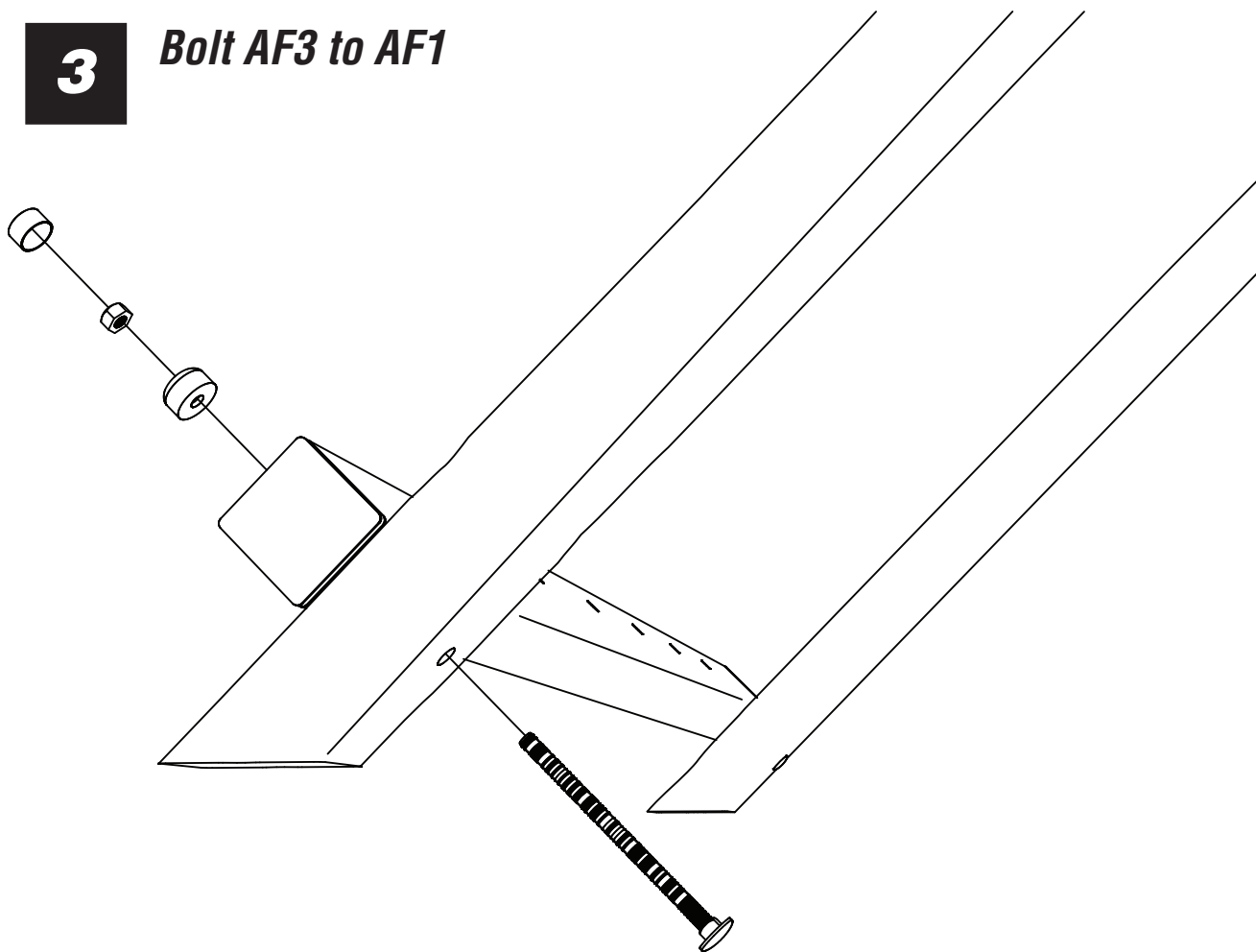
2



Assembly Instructions

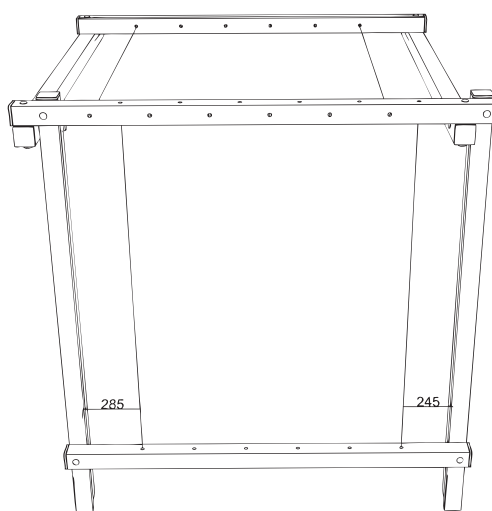
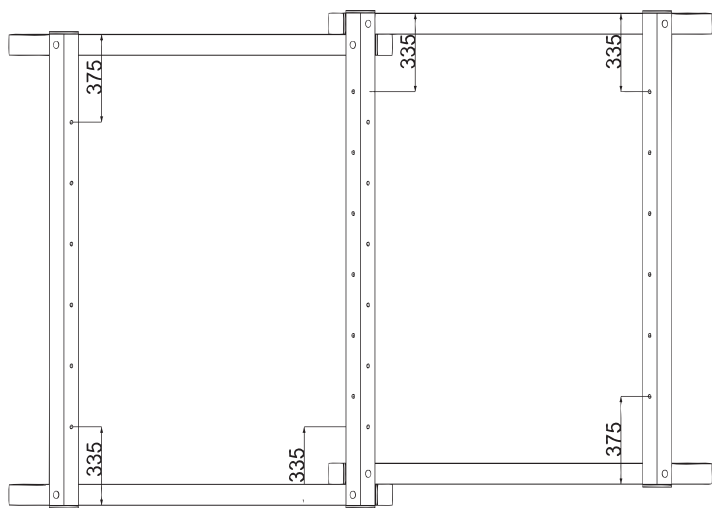
3

Bolt AF3 to AF1



4

Ensure AF2 & AF3 timbers are positioned correctly

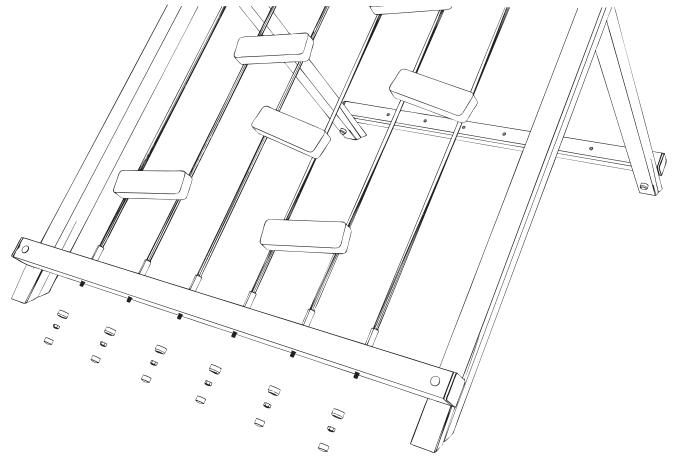
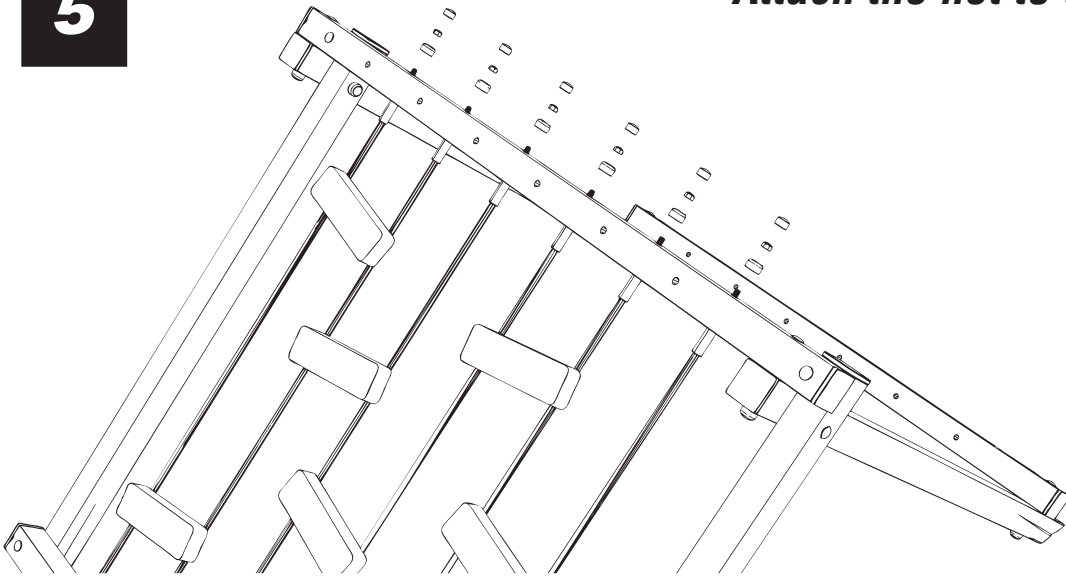


**If the Timbers are not positioned correctly the nets will not conform to the standards*

Assembly Instructions

5

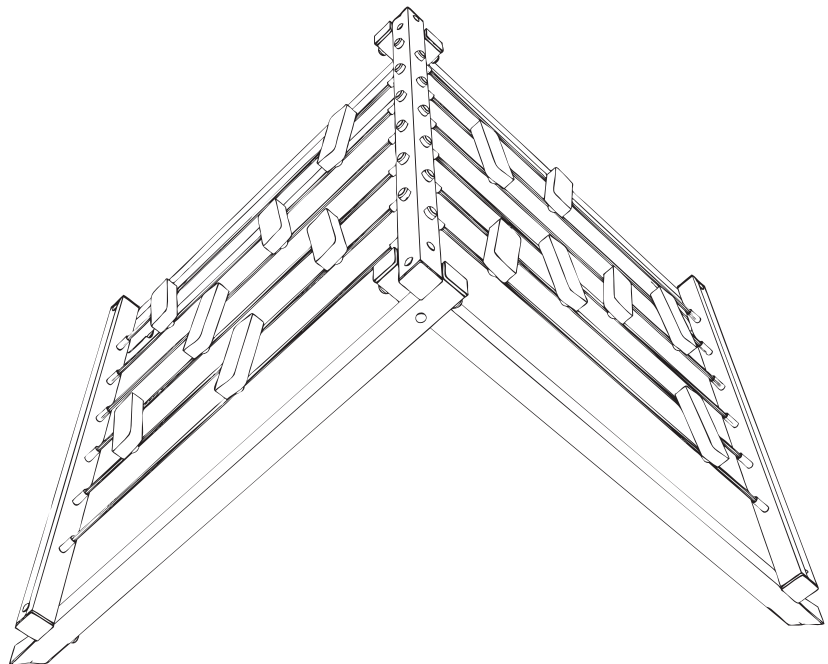
Attach the net to the A-FRAME
Using nylocs and end caps



6

Repeat this process for the second net

**Again ensure that AF2 & AF3 timbers are positioned correctly (see STEP 4)*



Assembly Instructions

7

Ensure all nuts have end caps

