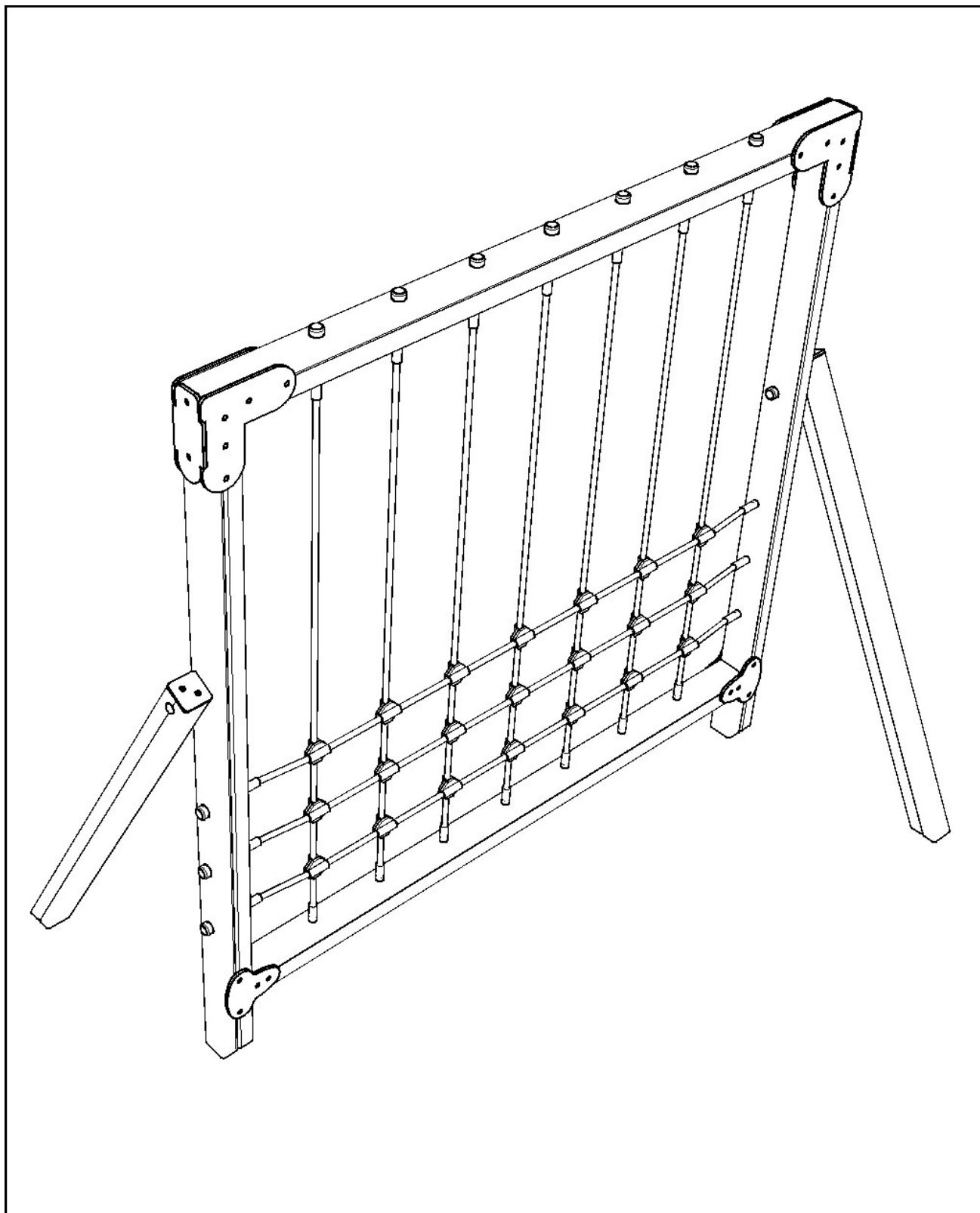


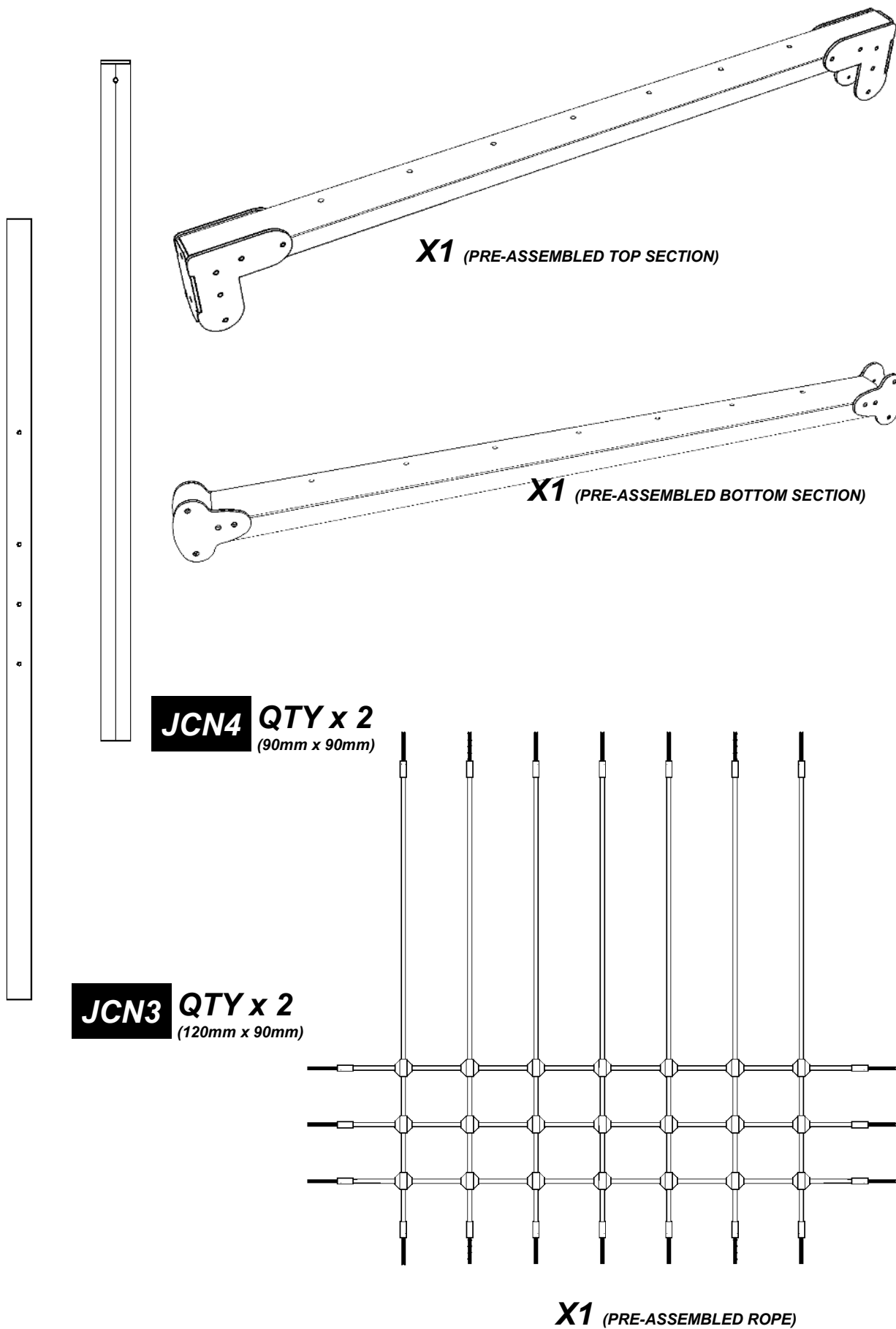
JUNIOR CLIMBING NET

Installation Instructions

**creative
play**



Parts required



Parts required



x2 (M12 x 220 square cup hex bolt)



x18 (FM80 'BRASS SCREW')



x22 (M12 NYLOC)

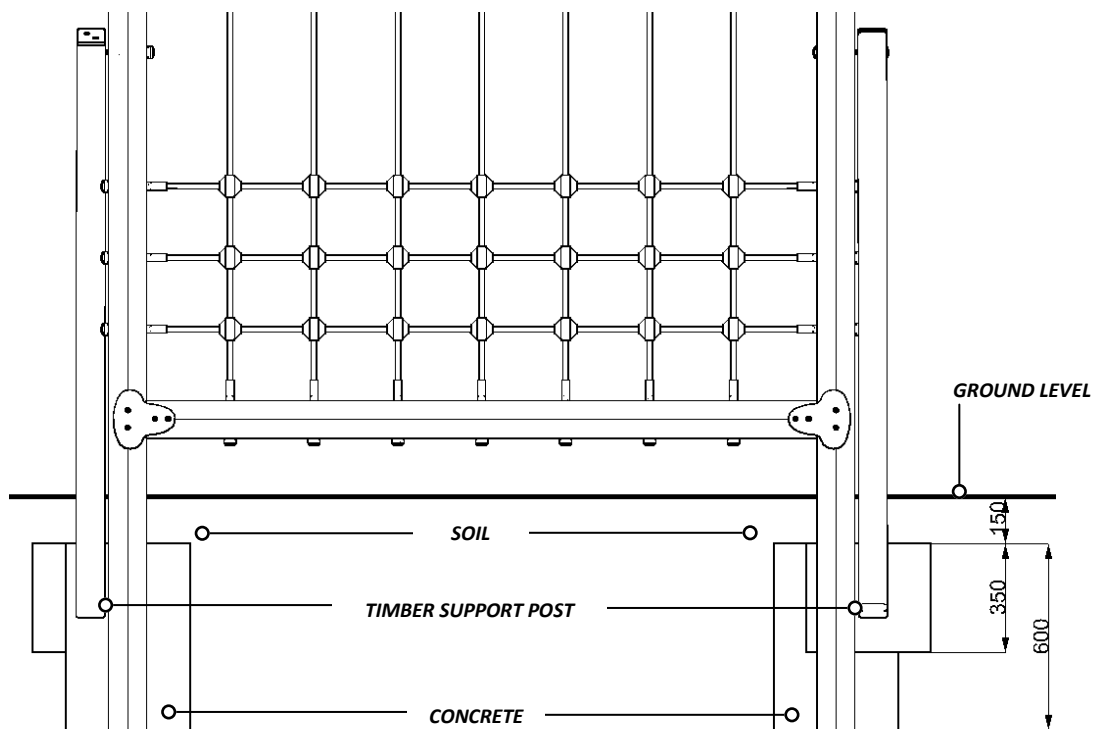
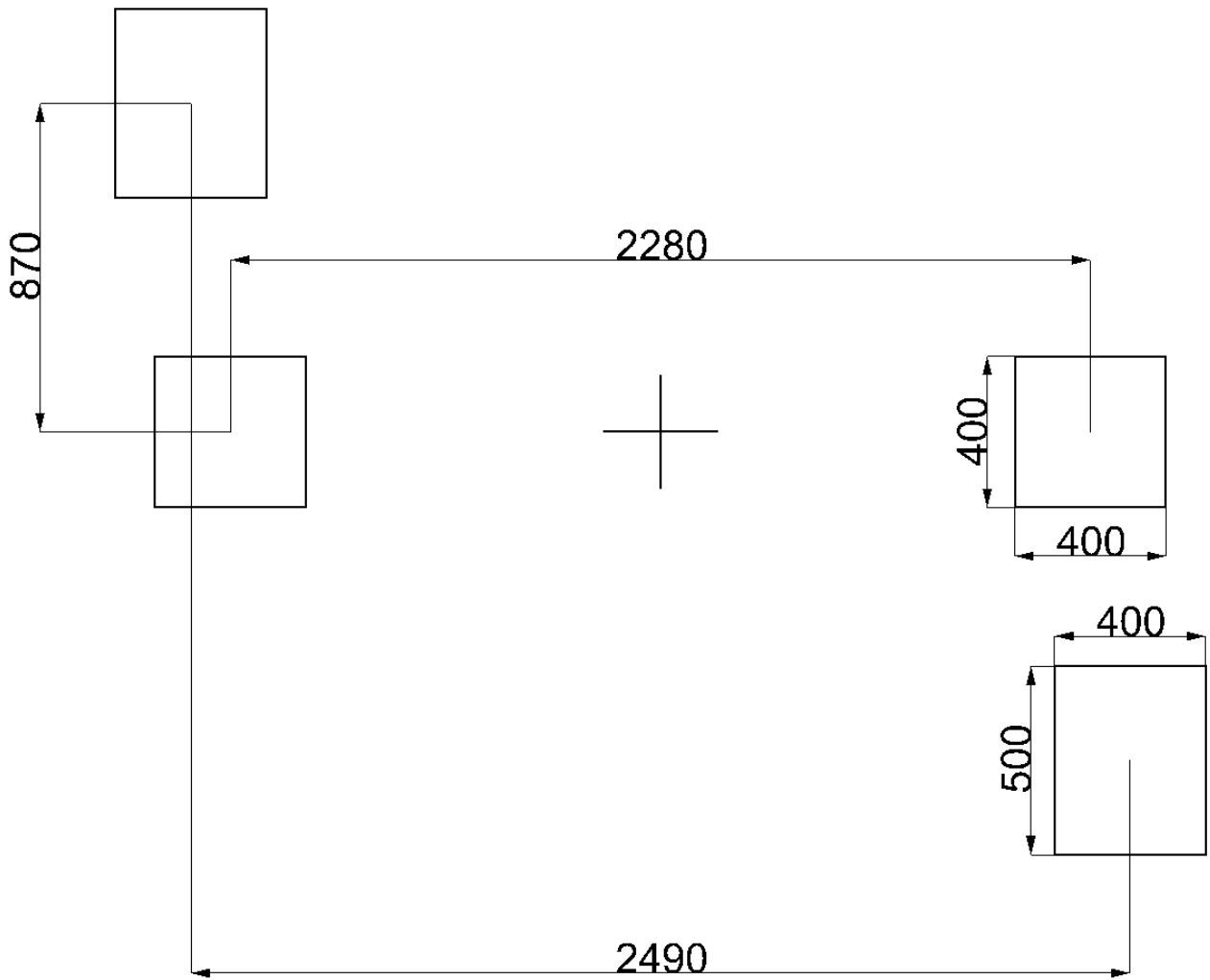


x22 (end caps)

TOOLS required

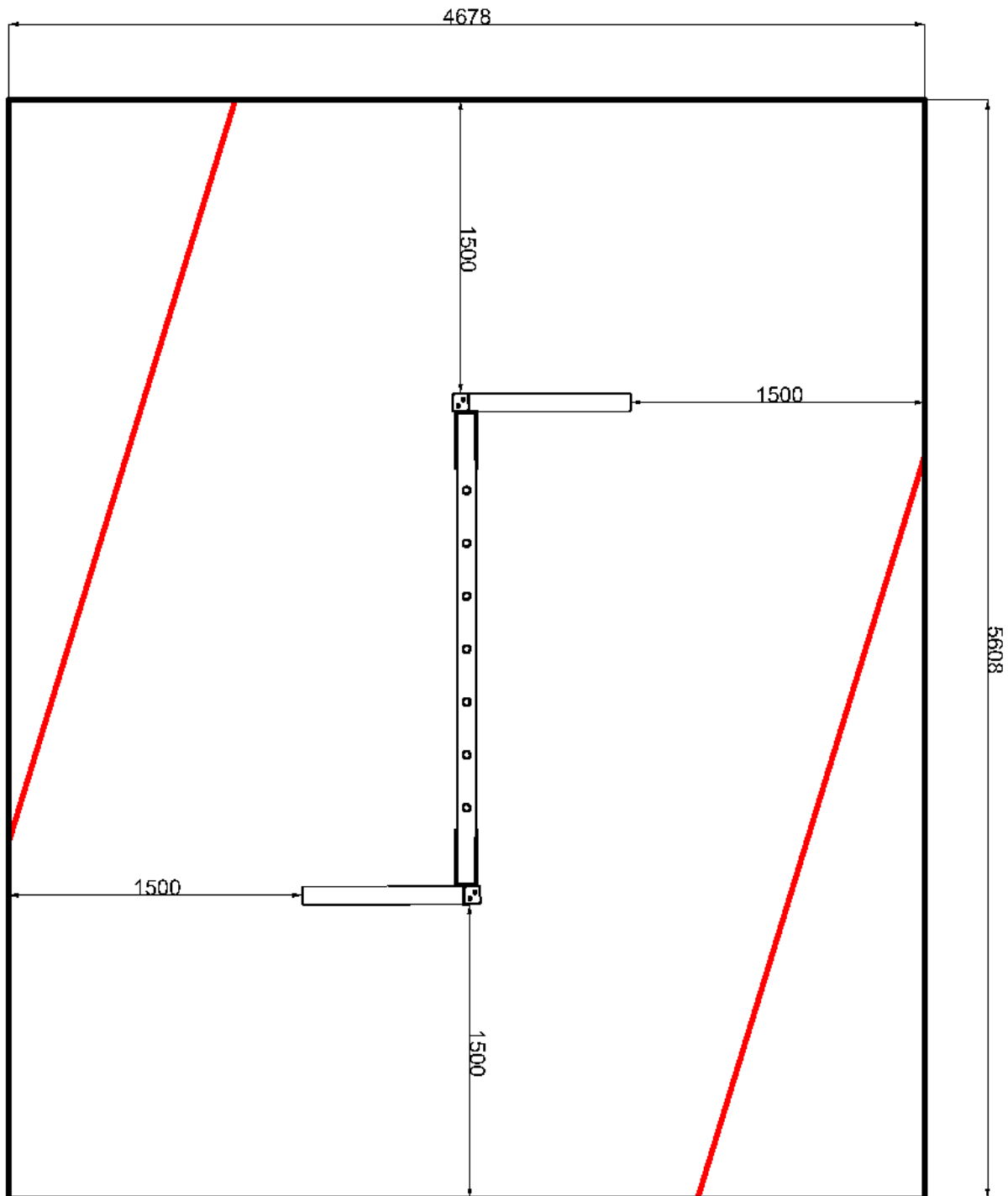


Foundation details



Surfacing details

- - - - - = MINIMUM SPACE
———— = SURFACING AREA

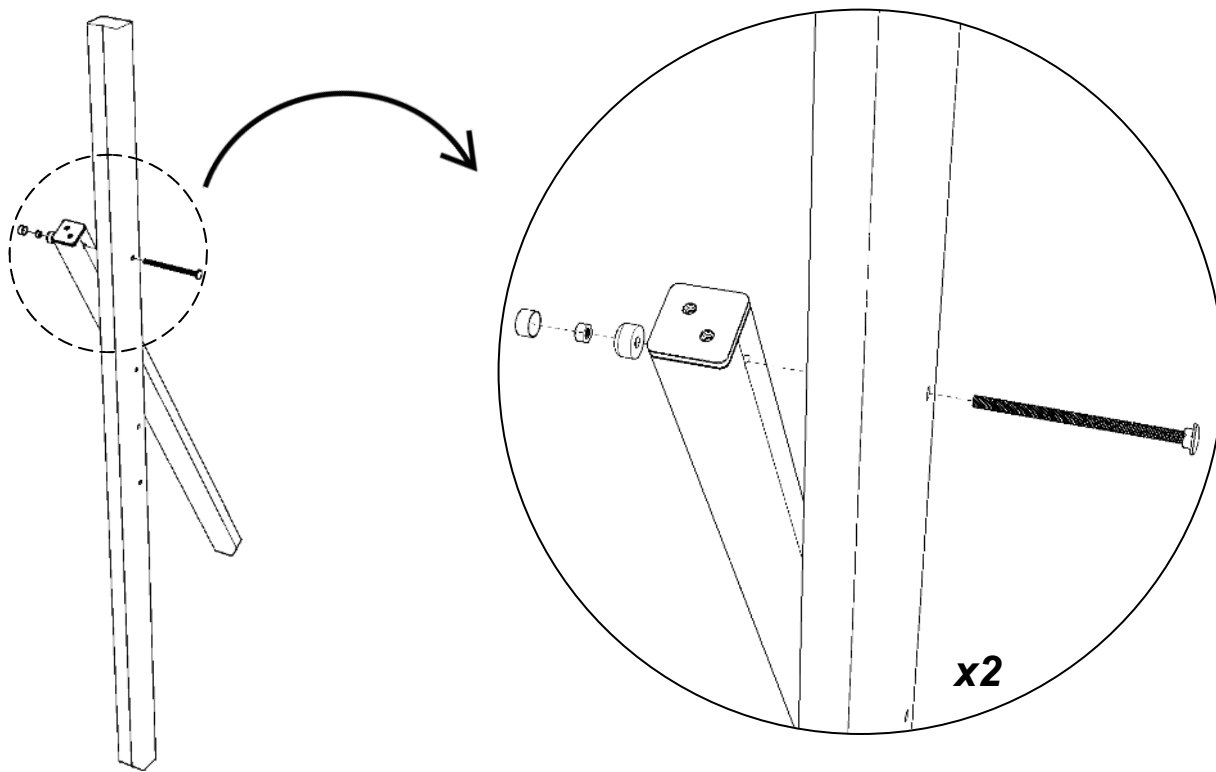


Assembly instructions

1

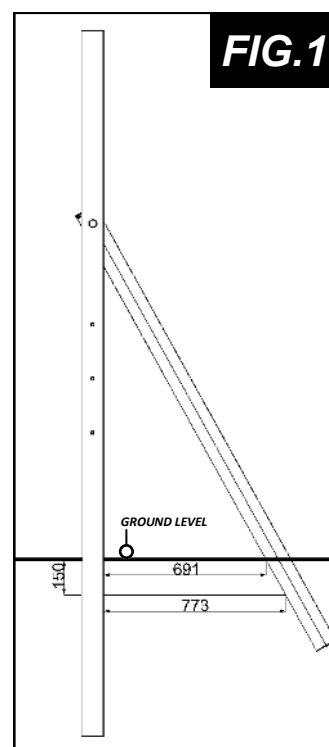
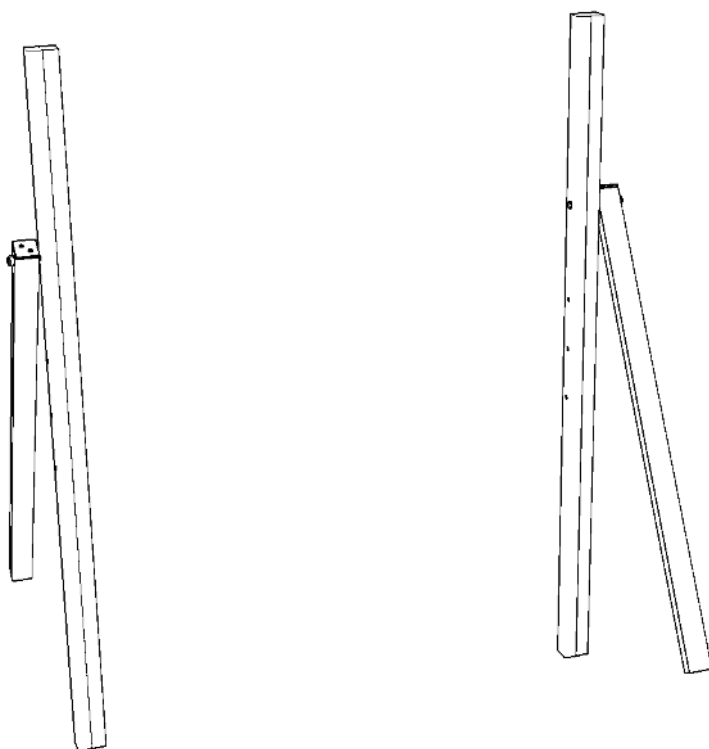
Attach the Timber (JCN4) to the Timber (JCN3)

Using M12 CUP SQUARE BOLTS / NYLOCS / END CAPS



2

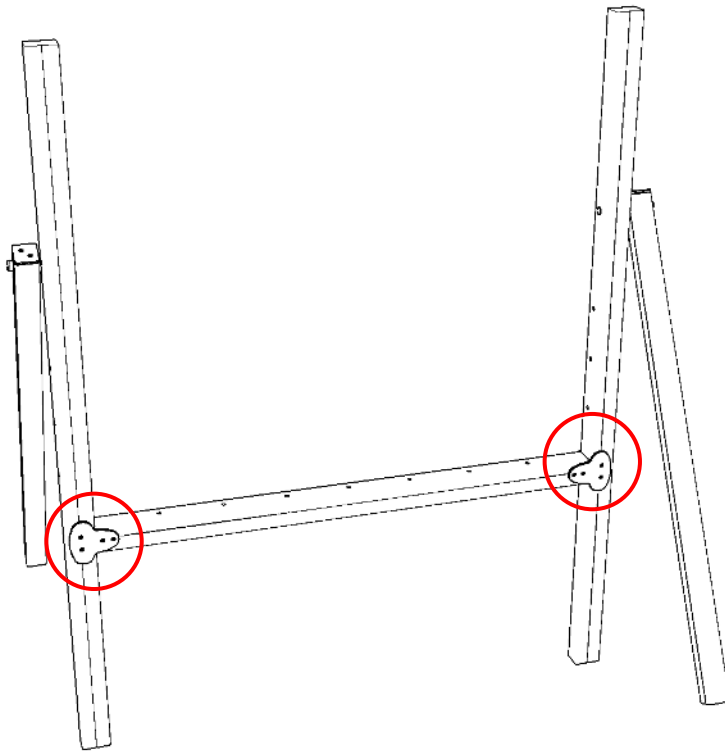
Install the timbers (JCN4 and JCN3)



Assembly instructions

3

Position the Timber (JCN2)



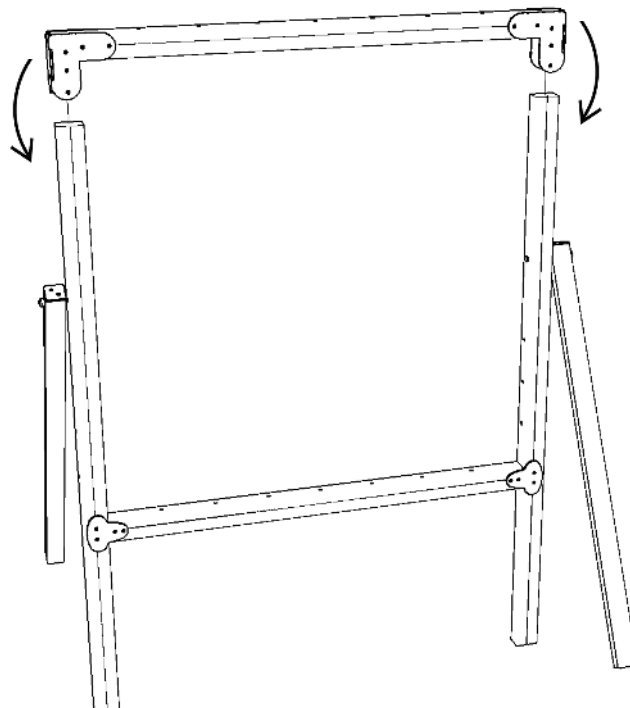
Holes CIRCLED...

The holes circled get screwed AFTER

4

Attach the TOP PIECE to the Timber (JNC3)

Using BRASS SCREWS

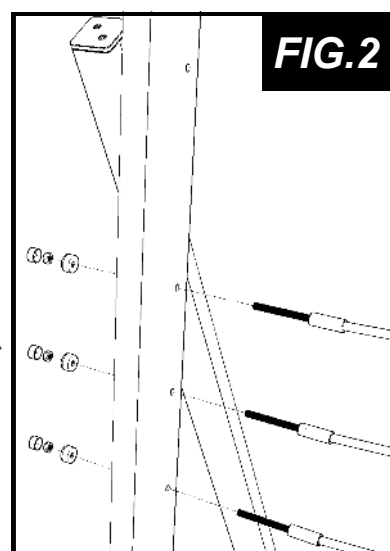
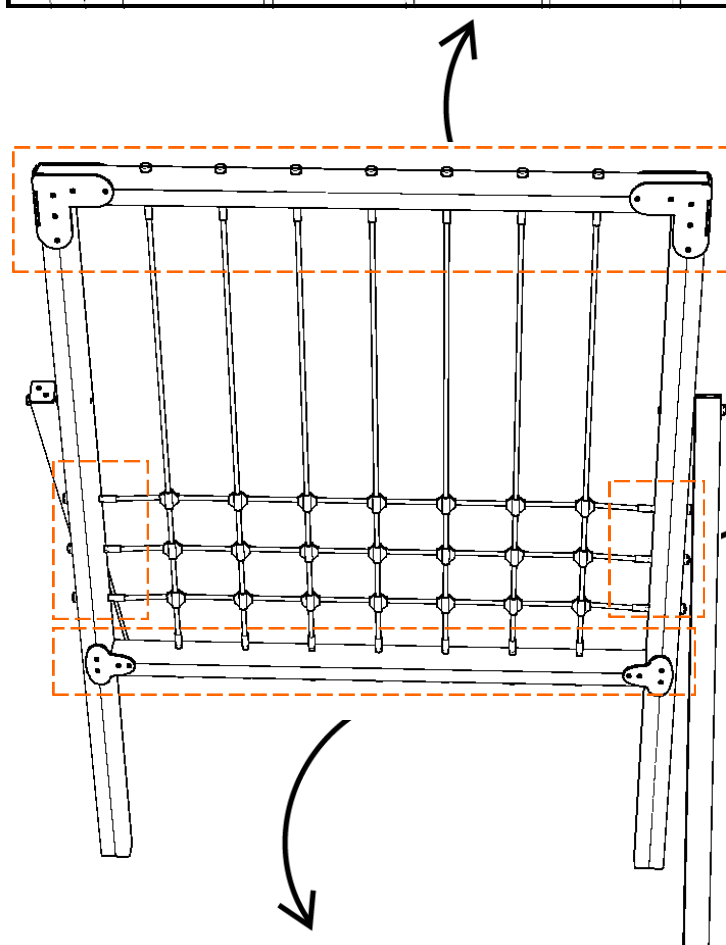
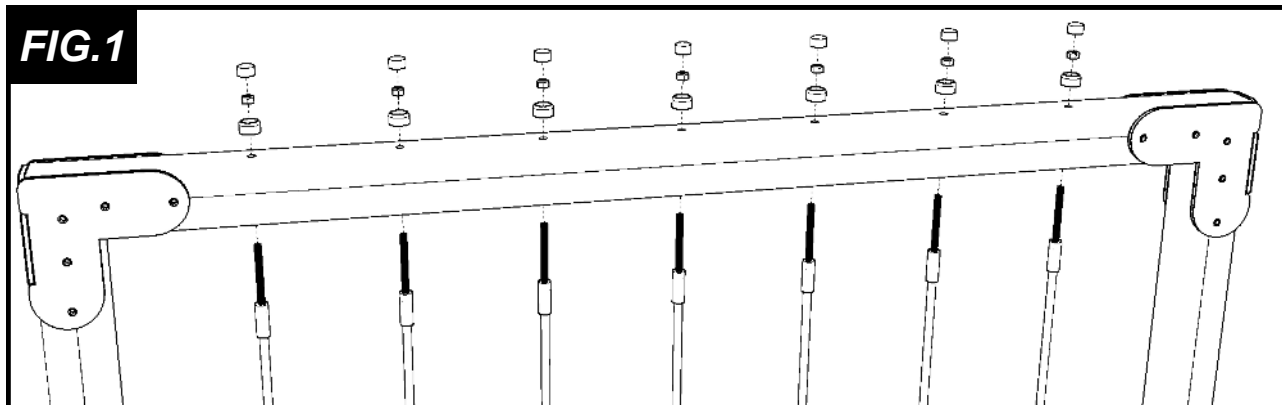


Assembly instructions

5

Attach the ROPE

Using NYLOCS / END CAPS



NOTES:
BOTH SIDES

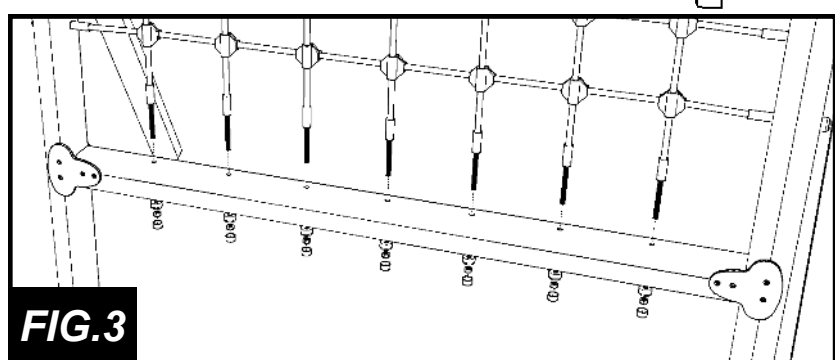


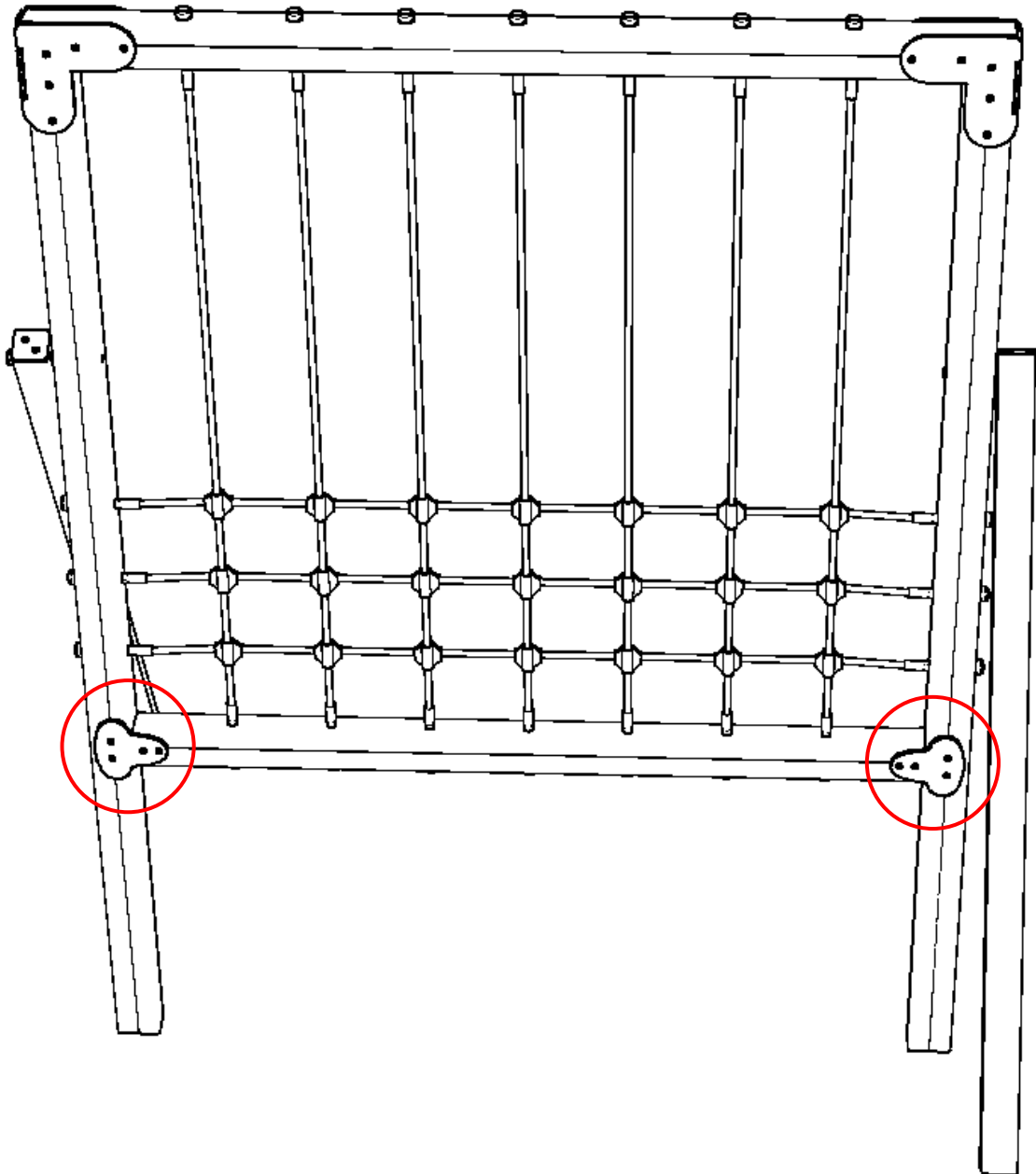
FIG.3

Assembly instructions

6

Attach the *BOTTOM PIECE* to the Timber (JNC3)

Using *BRASS SCREWS*



Additional dimensions

