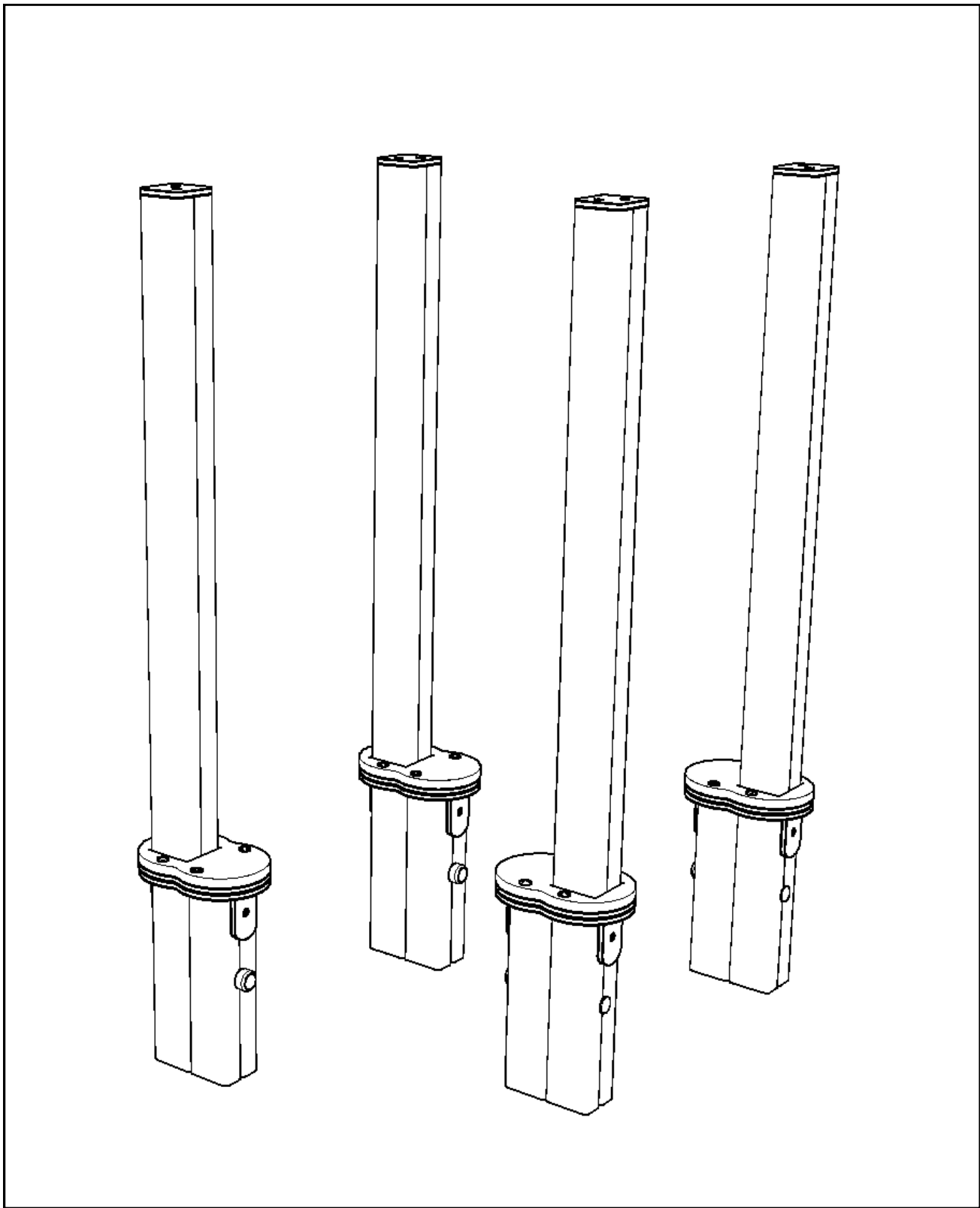
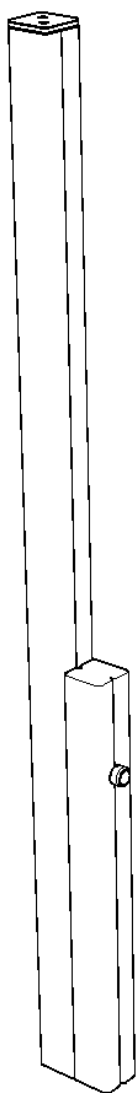


STILTS

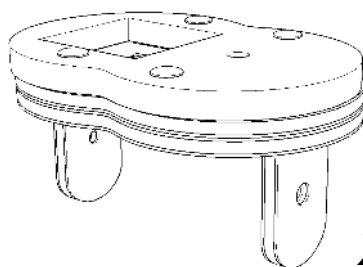
Installation Instructions



Parts required



X4 (PRE-ASSEMBLED TIMBERS)



X4 (PRE-ASSEMBLED STEPS)

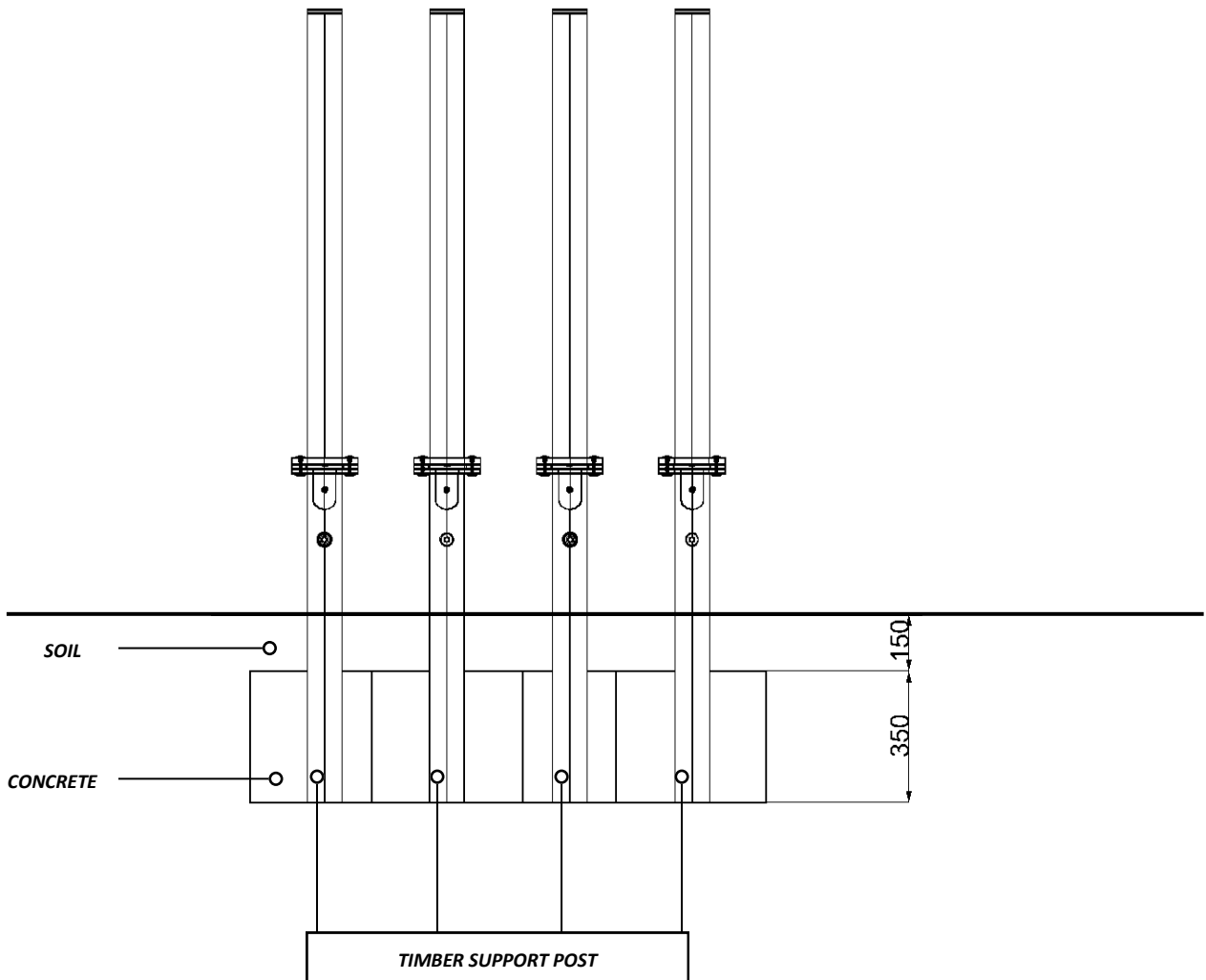
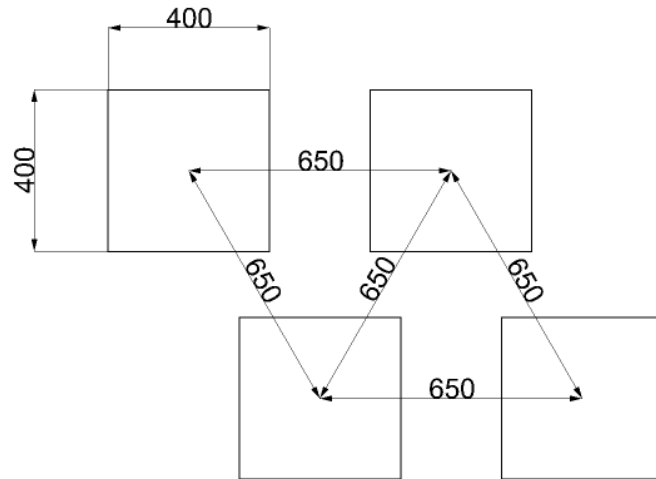


X12 (FM80 'BRASS SCREW')

TOOLS required

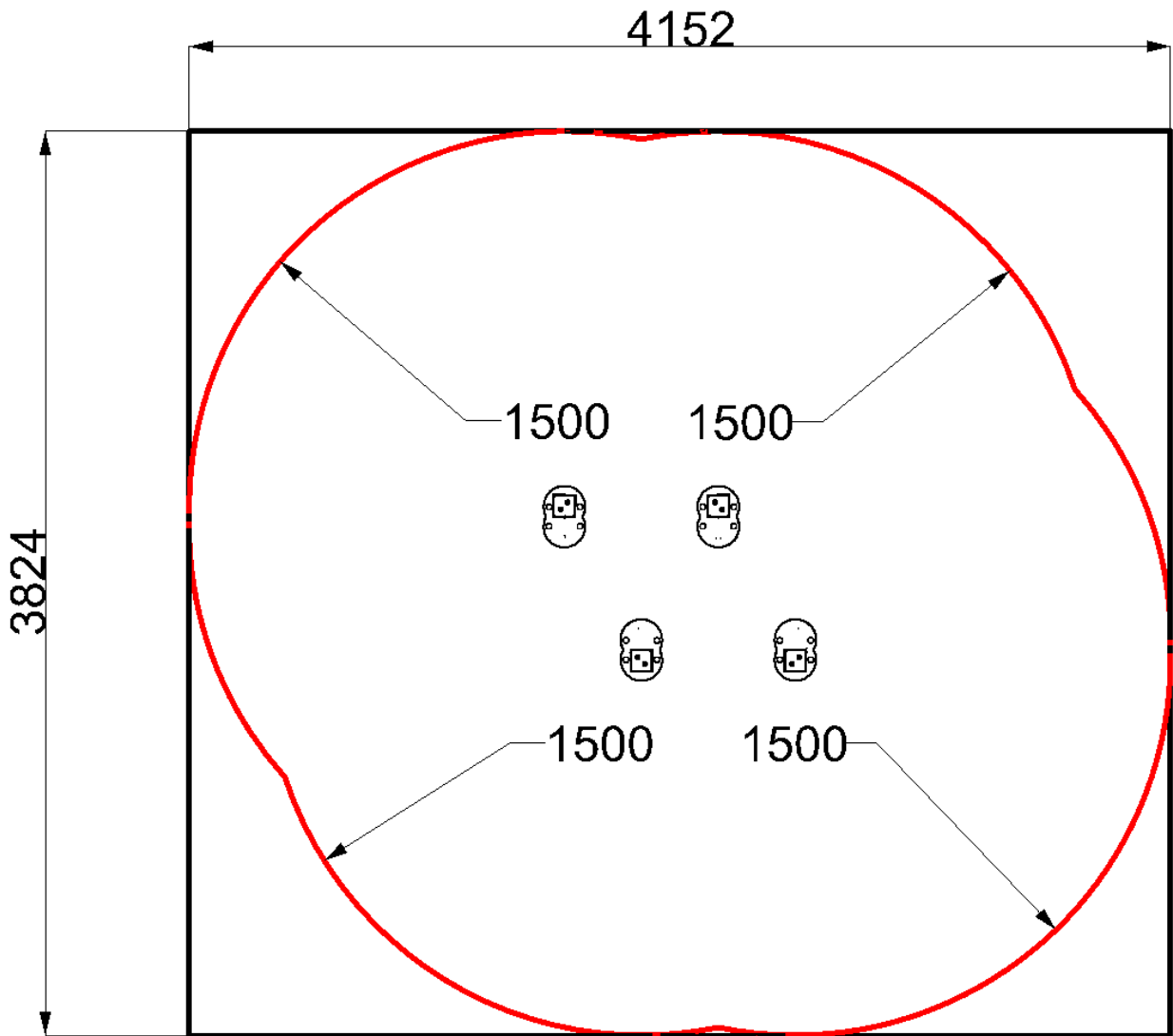


Foundation details



Surfacing details

-  = MINIMUM SPACE
-  = SURFACING AREA

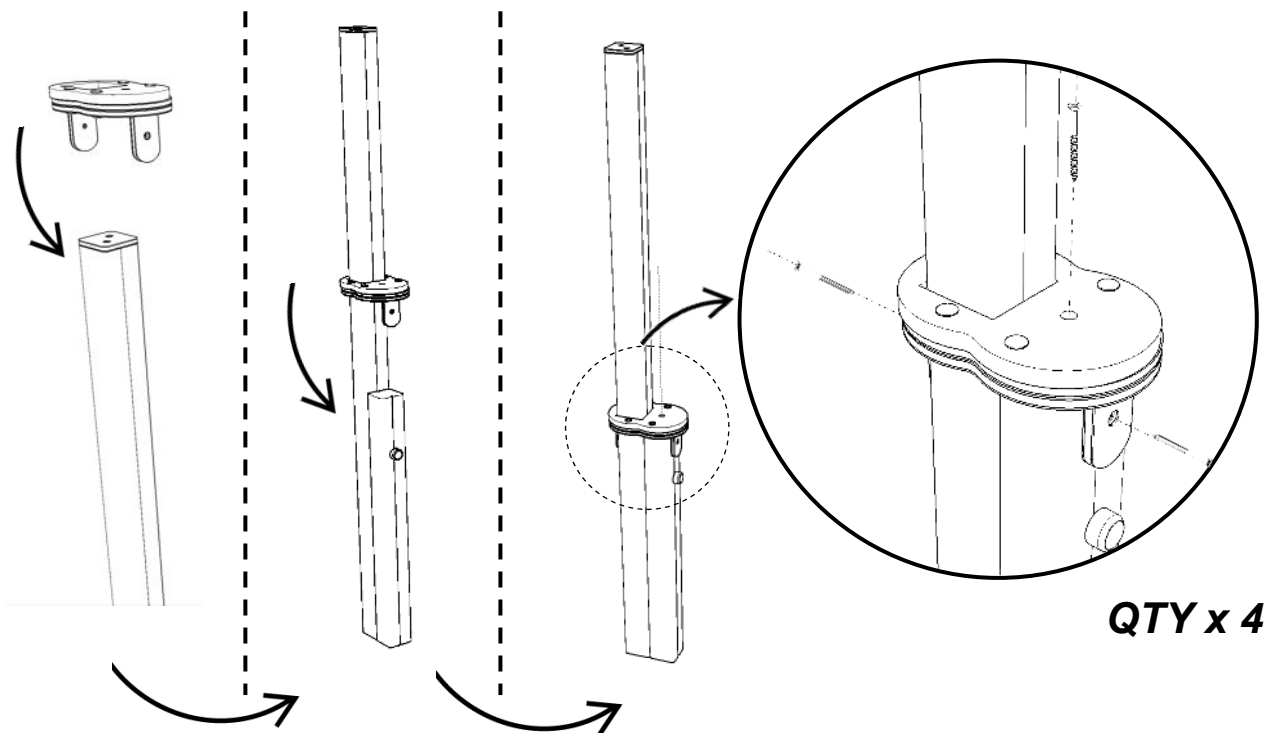


Assembly instructions

1

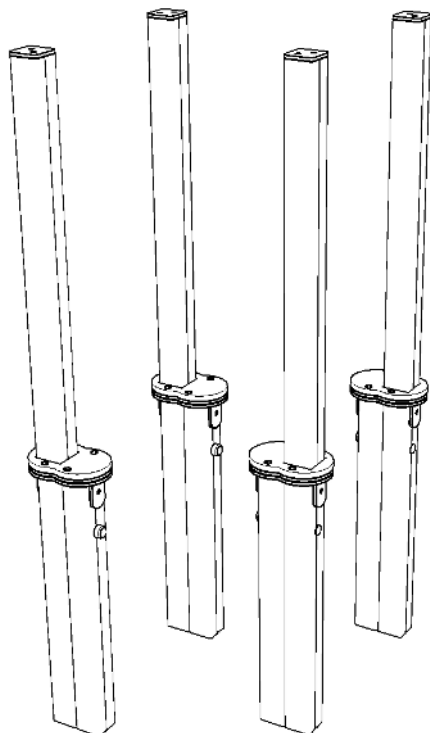
Attach STEP SECTION

Using FM80 BRASS SCREWS



2

Install PRE-ASSEMBLED TIMBERS



Additional dimensions

