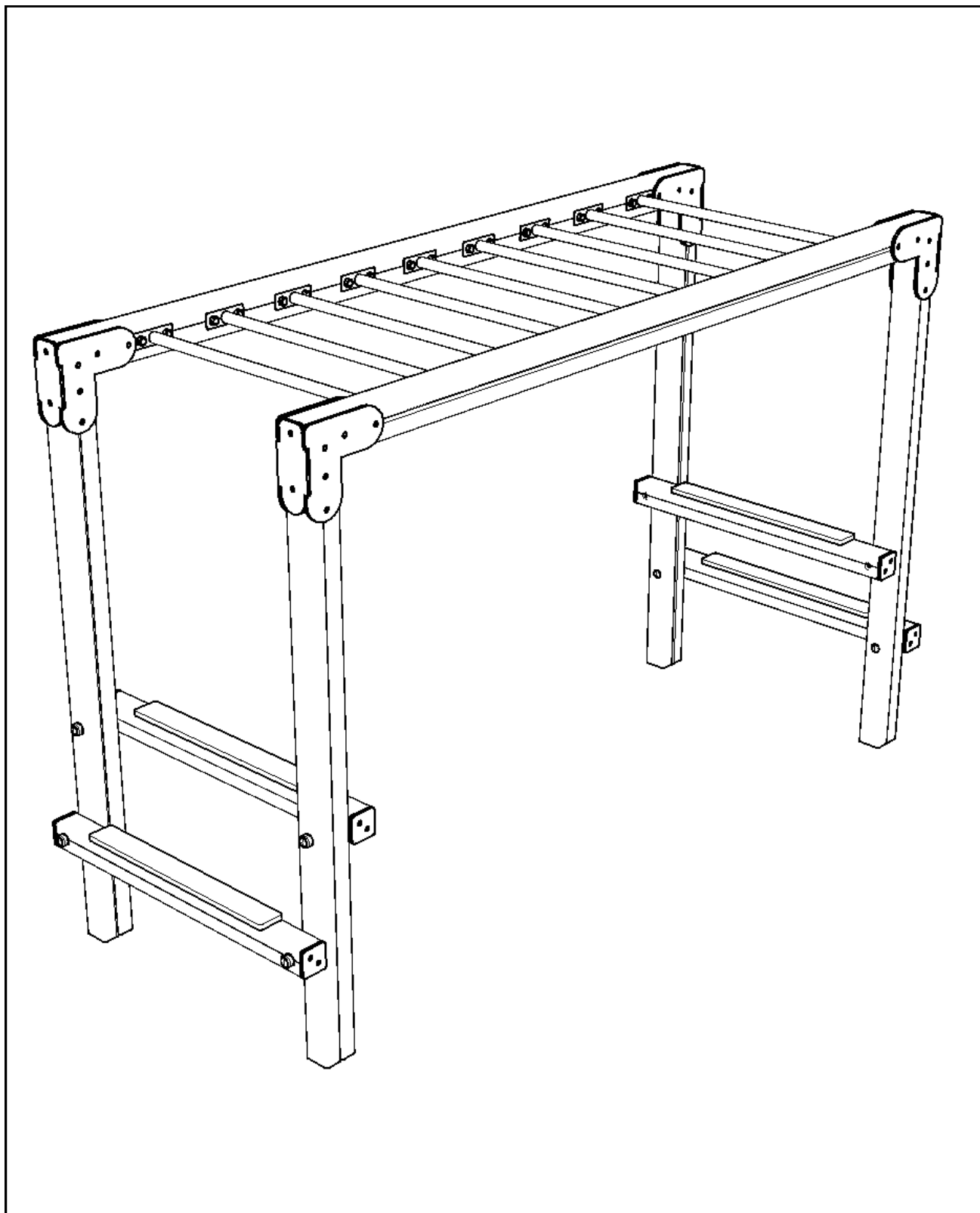


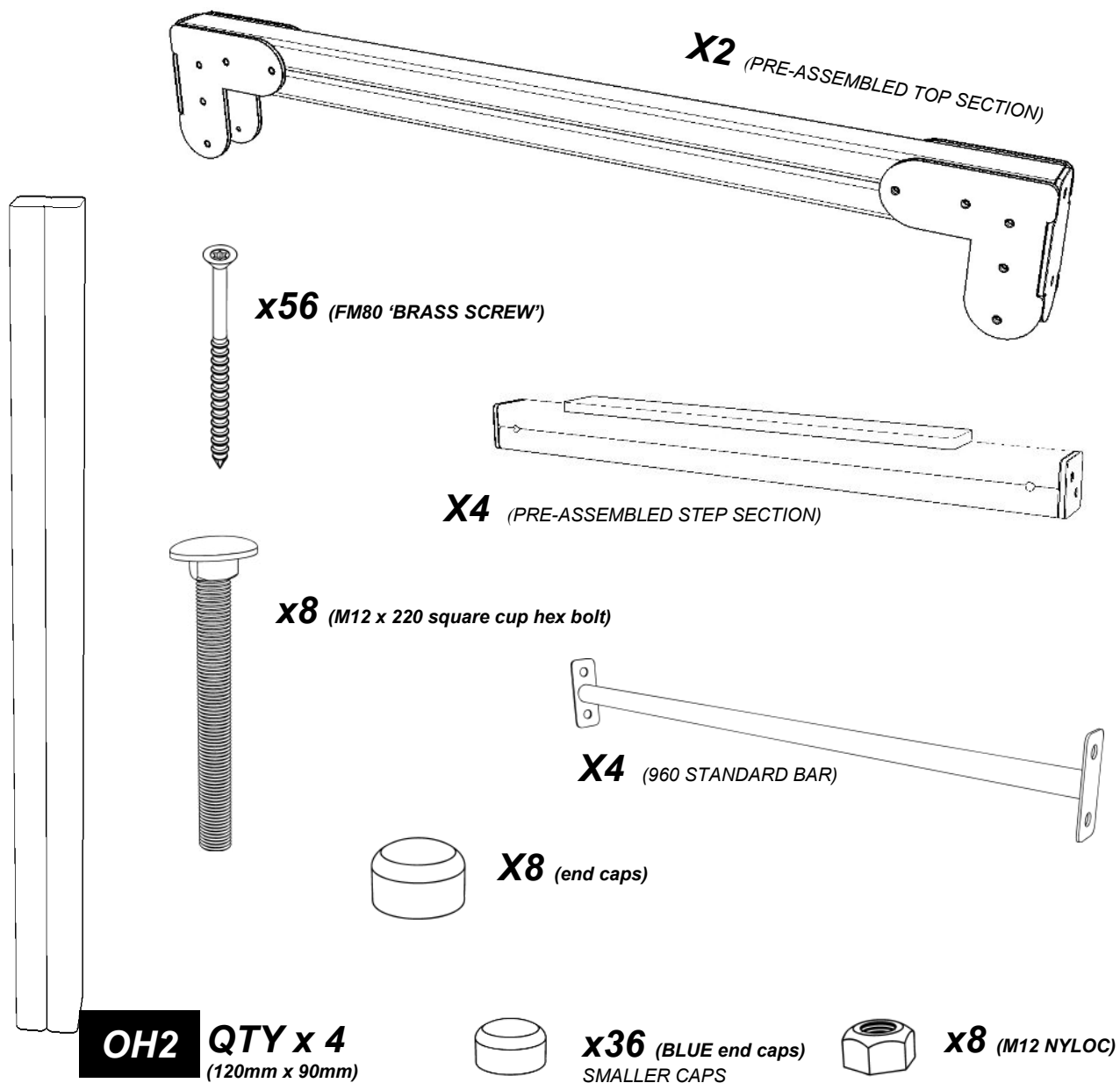
OVERHEAD LADDER

Installation Instructions

**creative
play**



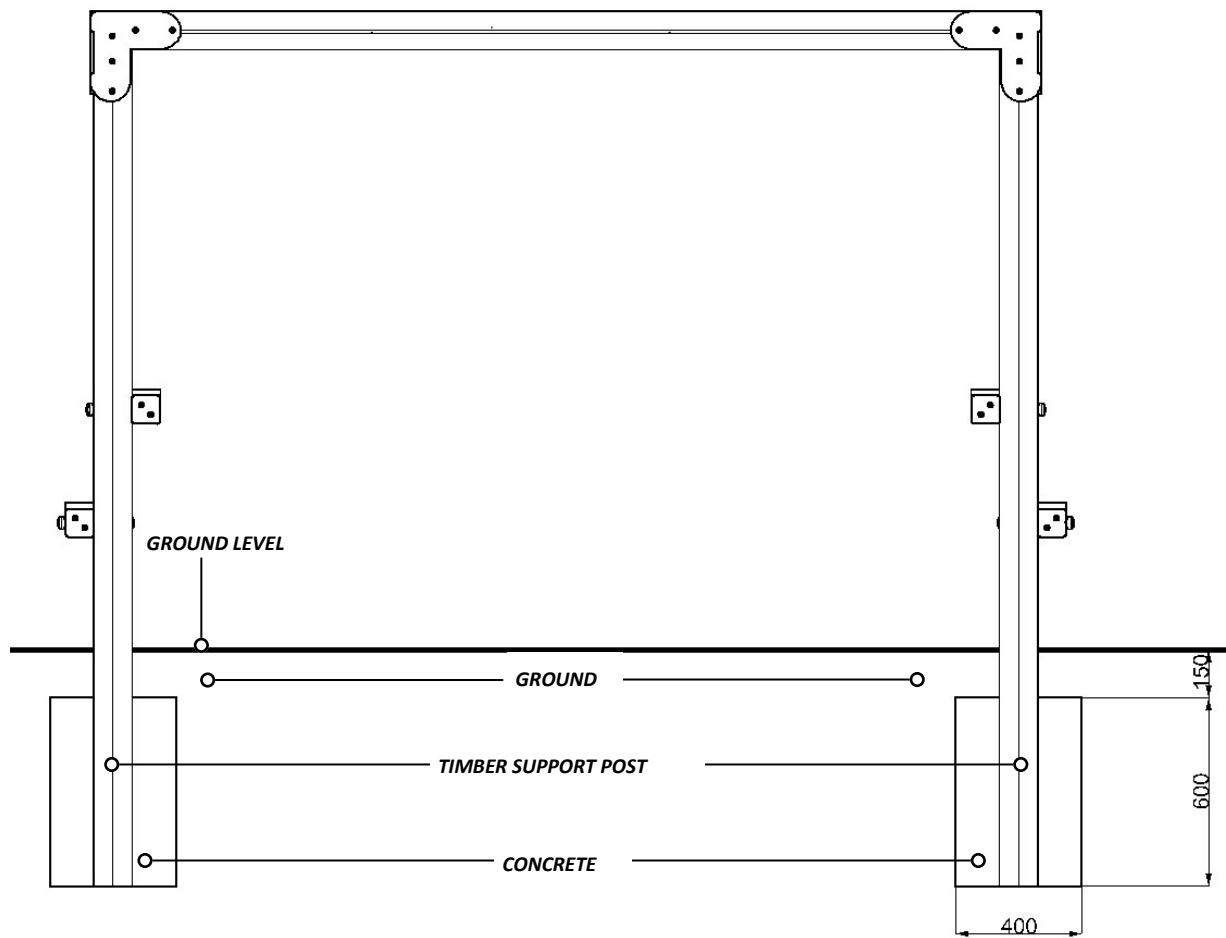
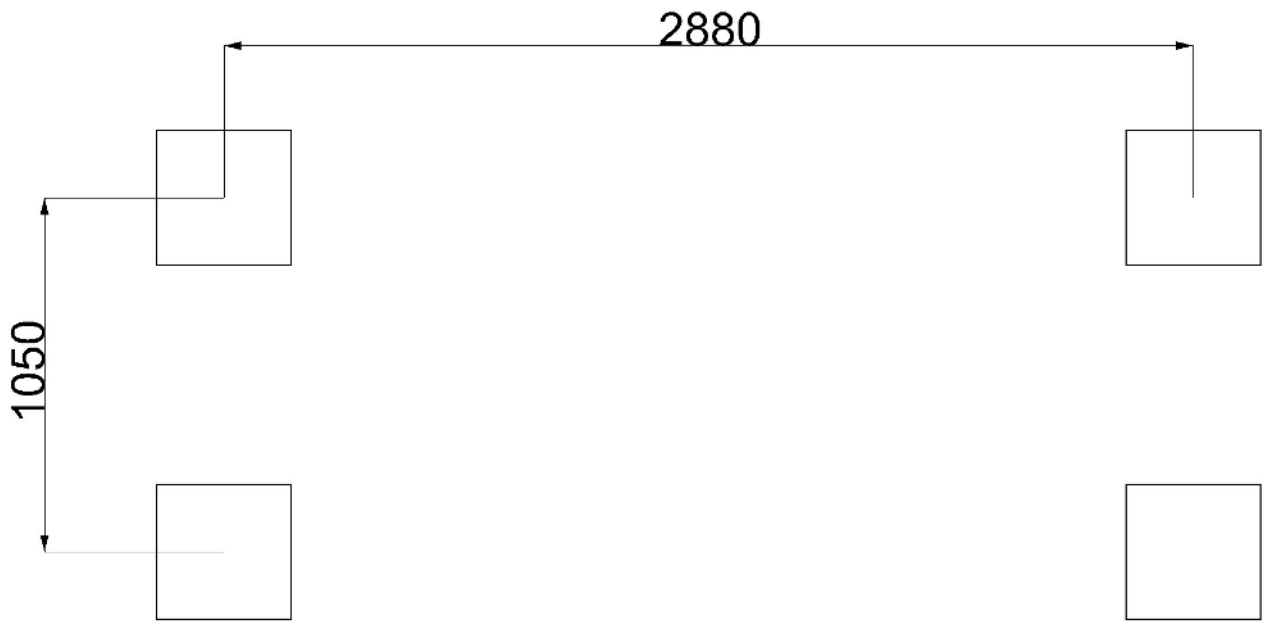
Parts required



TOOLS required

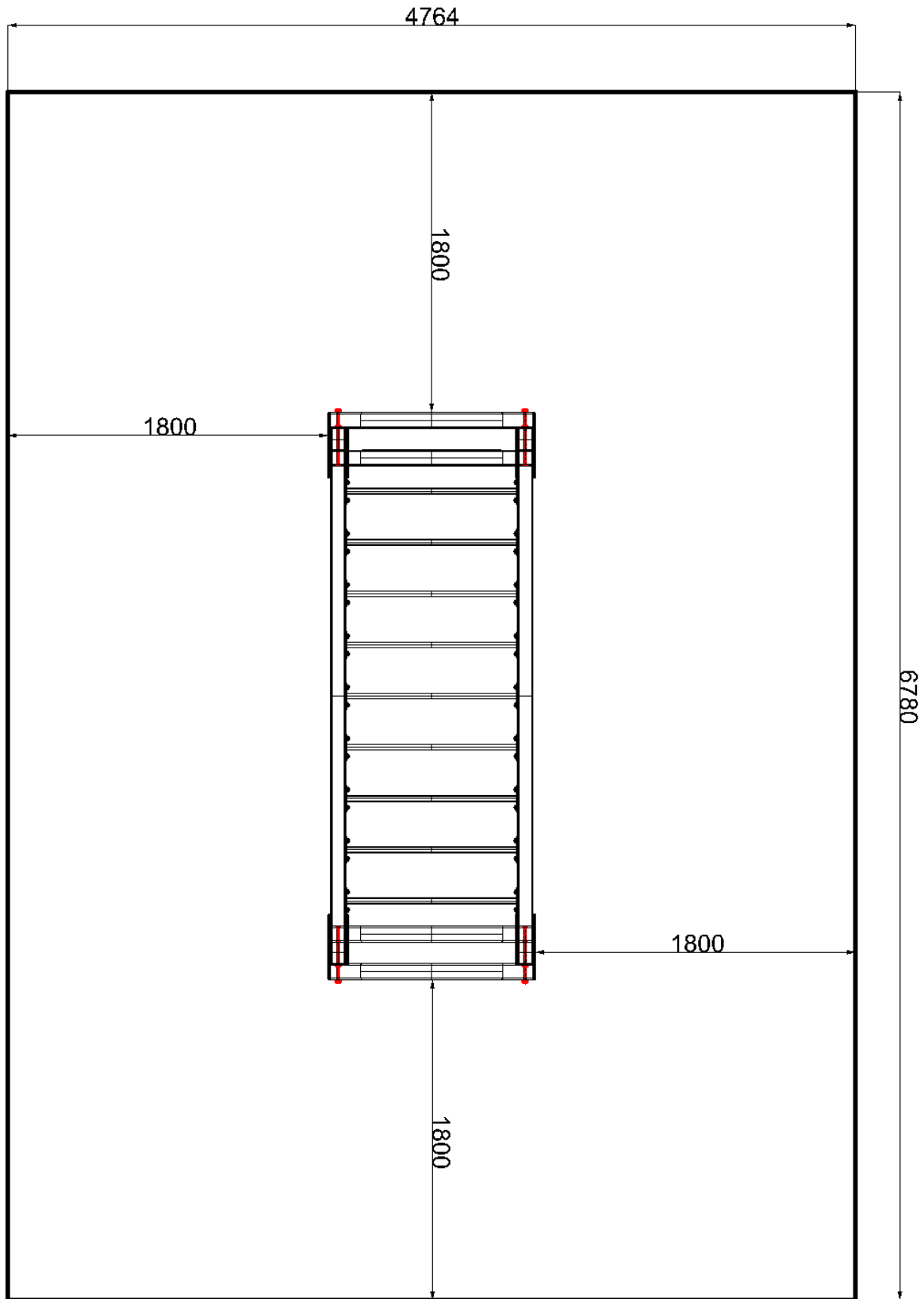


Foundation details



Surfacing details

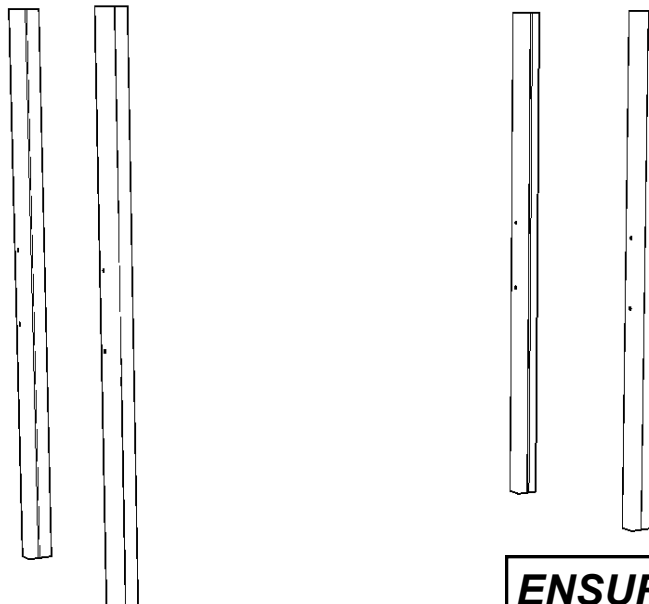
----- = MINIMUM SPACE
————— = SURFACING AREA



Assembly instructions

1

Install the timbers (OH2)



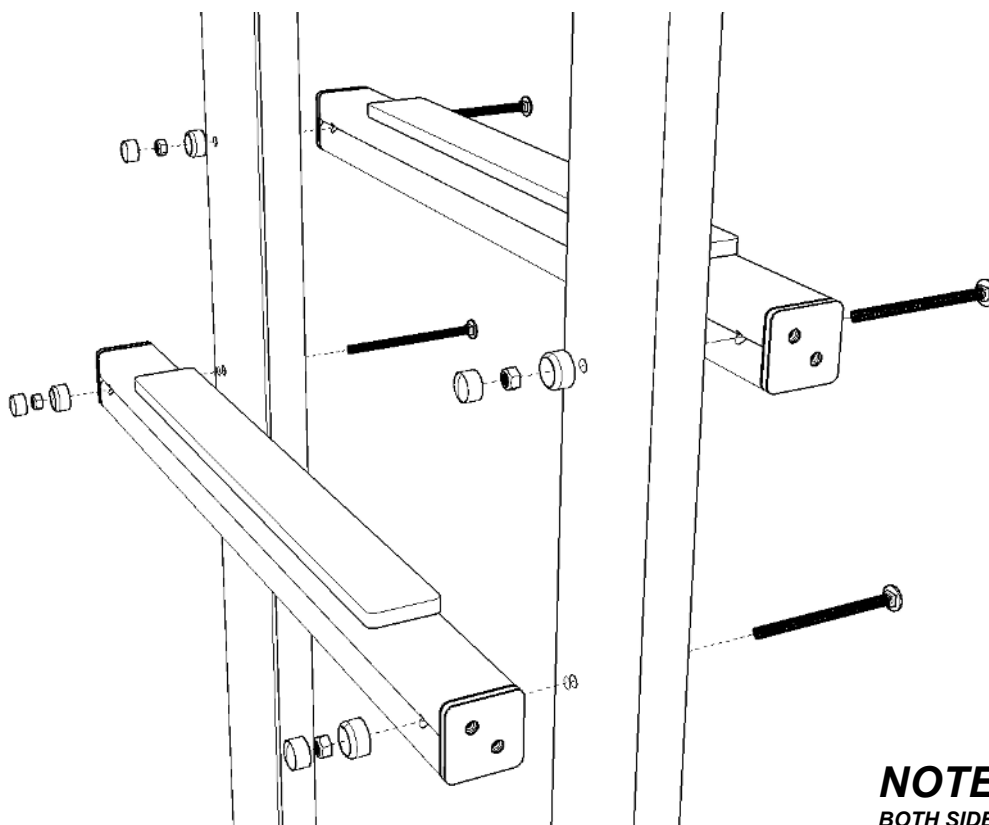
ENSURE:

The holes are facing the correct direction

2

Attach the pre-assembled STEP SECTION

using M12 CUP SQUARE BOLTS / NYLOCS / END CAPS



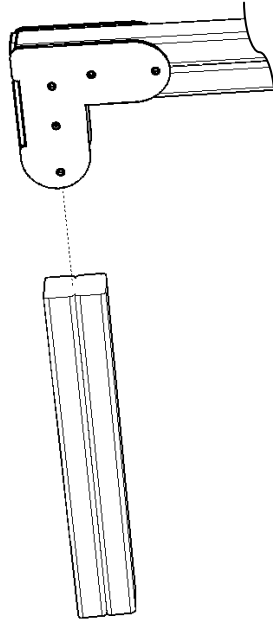
NOTES:
BOTH SIDES

Assembly instructions

3

Attach the pre-assembled TOP SECTION

Using FM80 BRASS CREWS

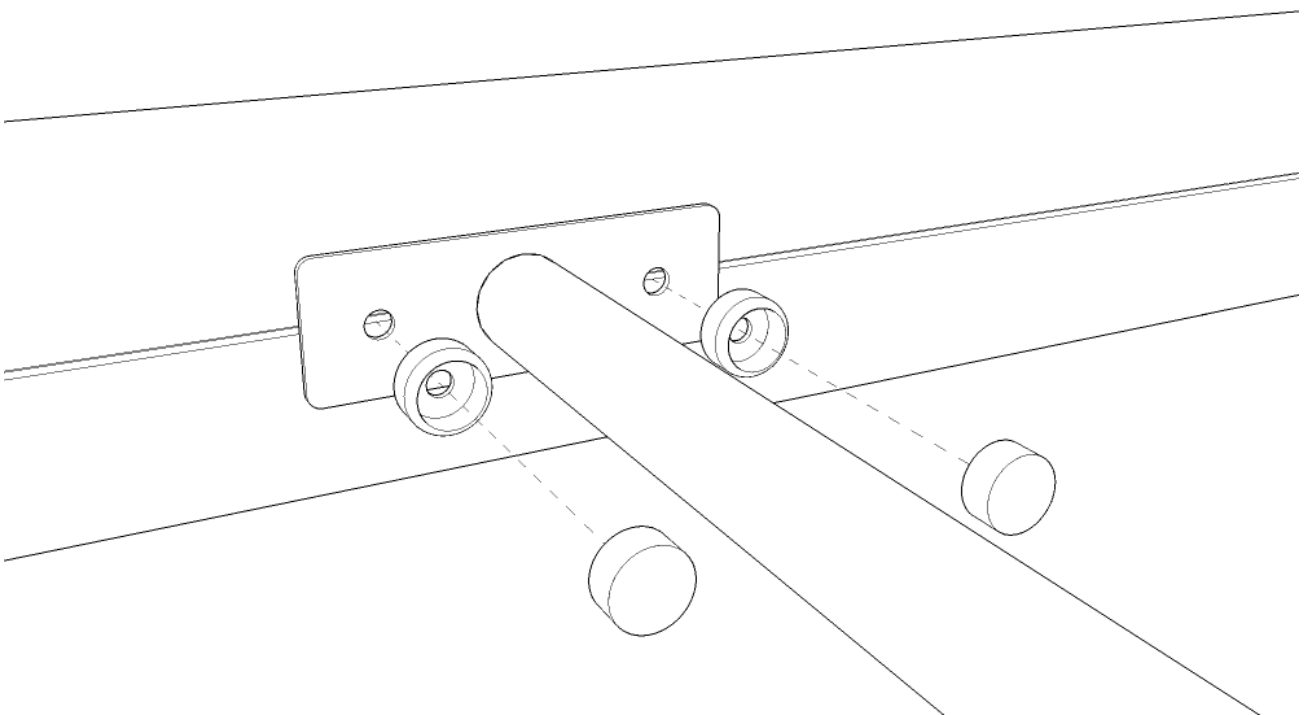


NOTES:
BOTH SIDES

4a

Attach the BARS to the TOP SECTION

Using FM80 BRASS SCREWS/ END BLUE CAPS

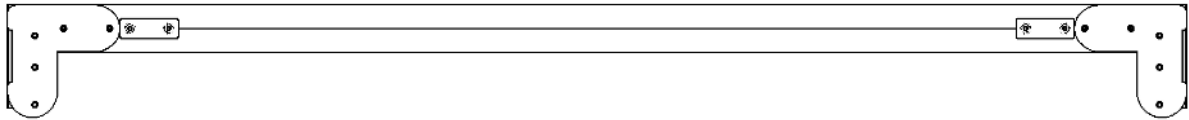


Assembly instructions

4b

Attach the BARS to the TOP SECTION

Using FM80 BRASS SCREWS/ END BLUE CAPS



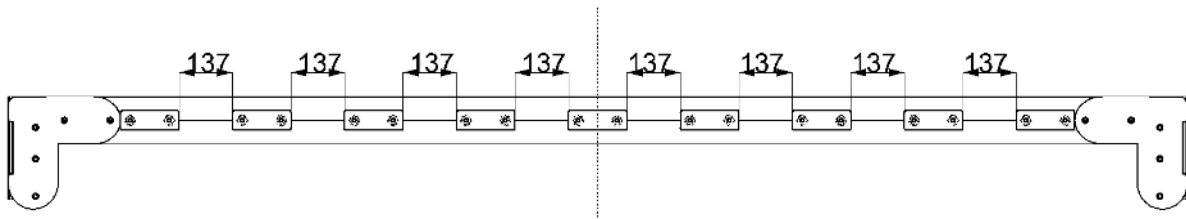
Note:

The first BAR at either end sit AGAINST the PLAYTEC L as shown above

4c

Attach the remaining BARS to the TOP SECTION

Using FM80 BRASS SCREWS/ END BLUE CAPS



NOTE:

Distance between plates 137

Additional dimensions

