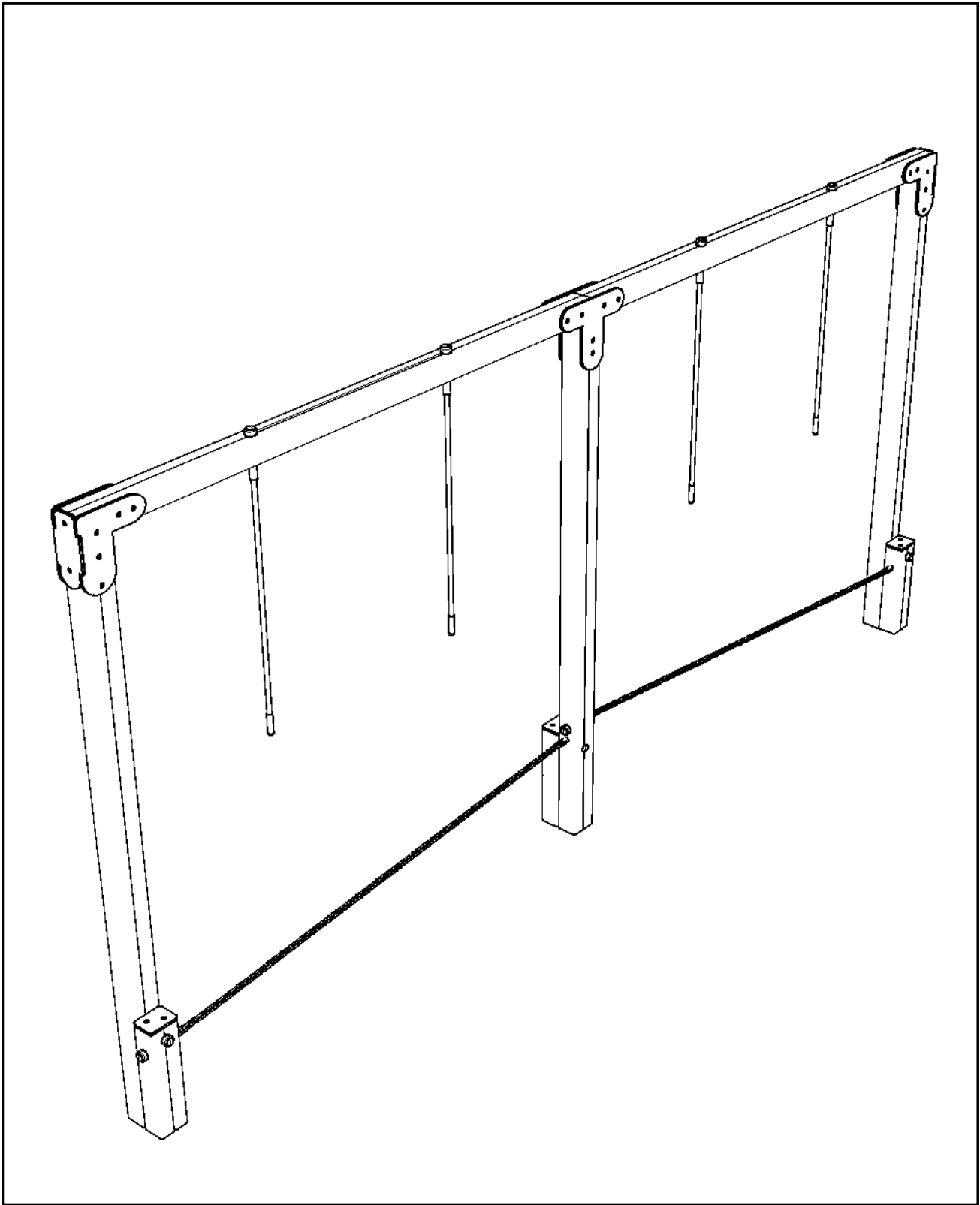
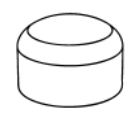
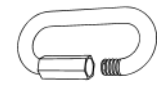
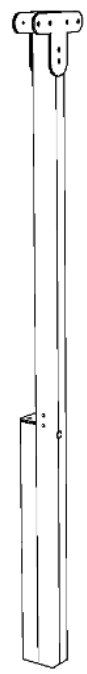
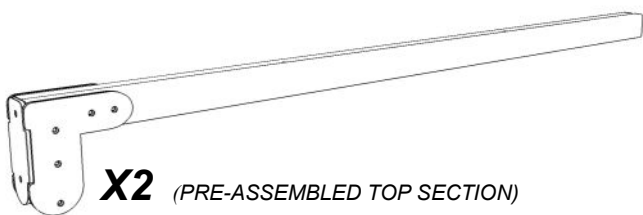


# ***ROPE WALK***

## ***Installation Instructions***



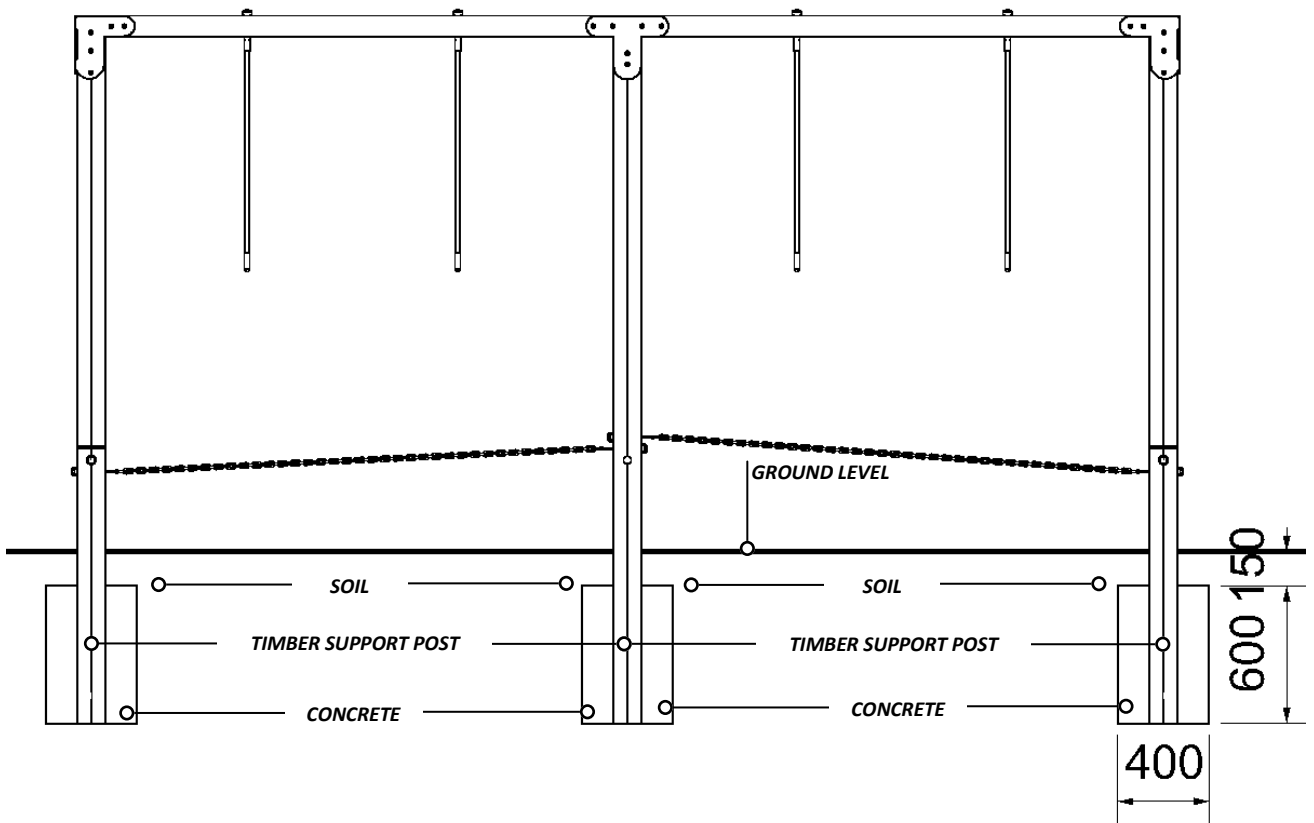
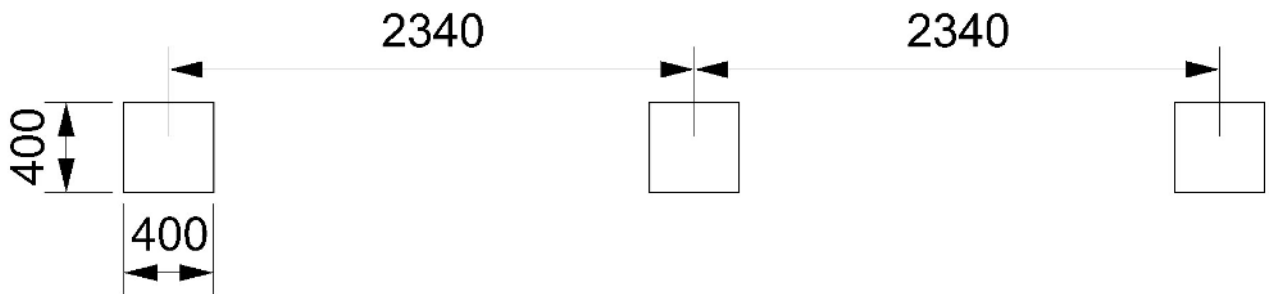
# Parts required



# TOOLS required



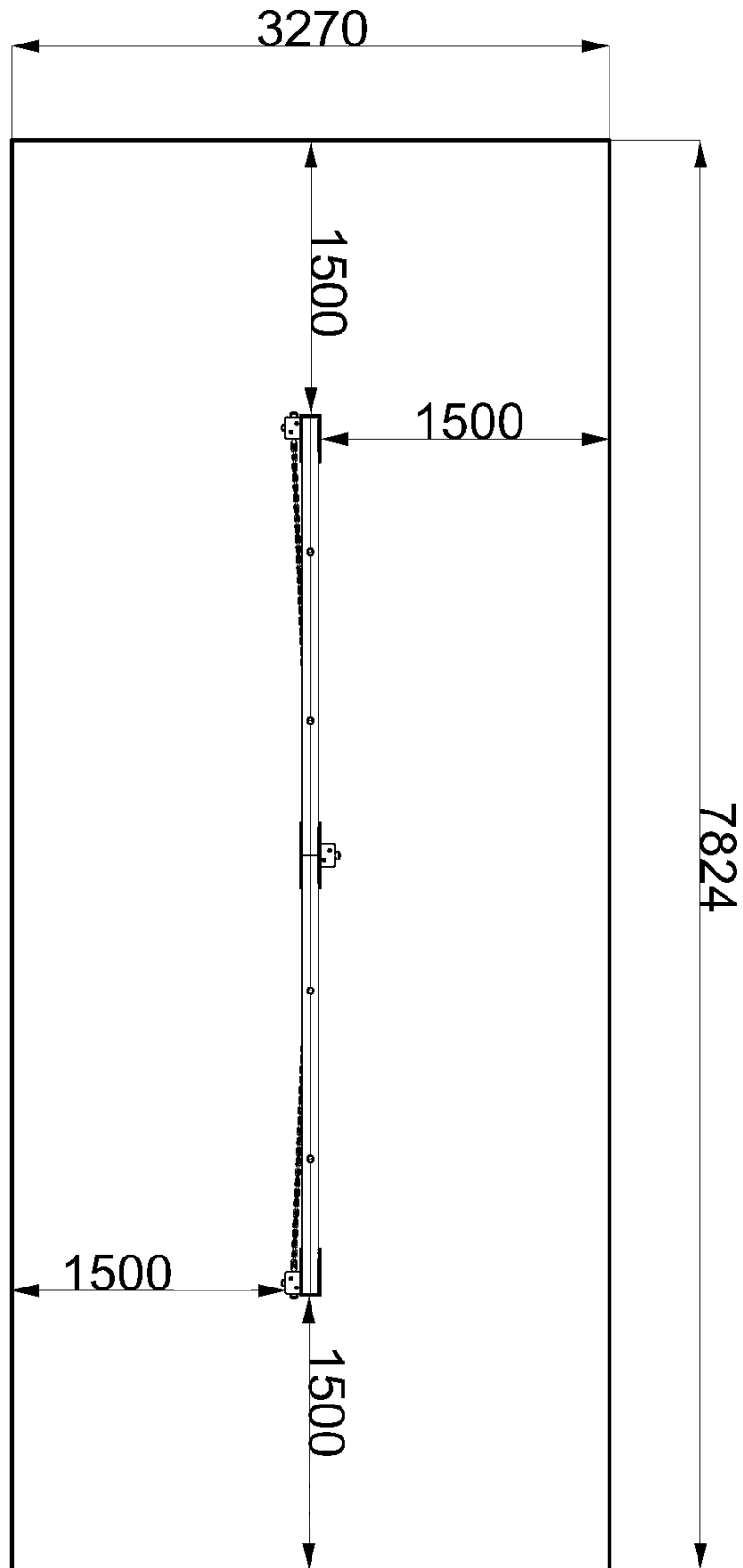
# Foundation details



# Surfacing details

---

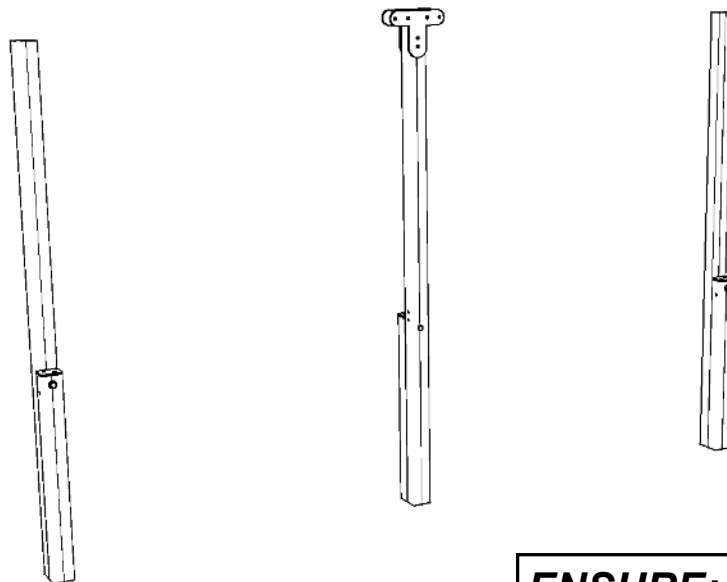
-  = MINIMUM SPACE
-  = SURFACING AREA



# Assembly instructions

1

Install PRE-ASSEMBLED LEFT/RIGHT/CENTER sections



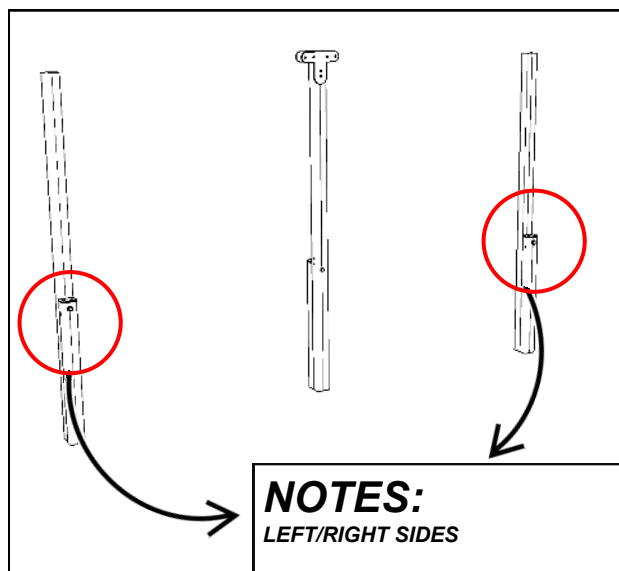
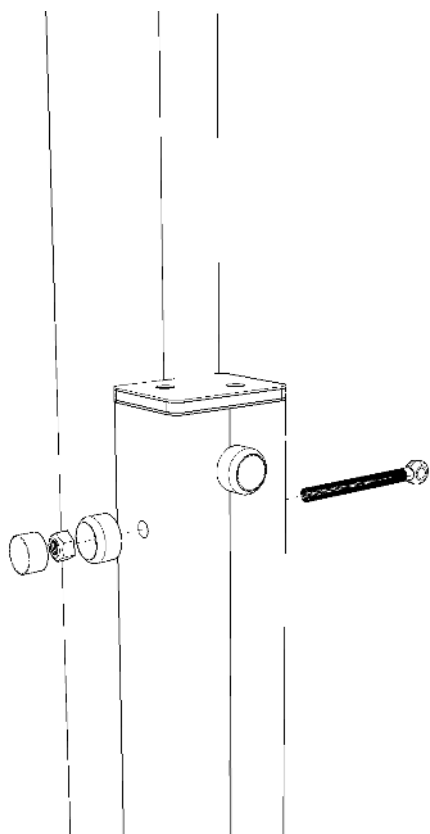
**ENSURE:**

The holes are facing the correct direction

2

Attach the Eyebolt to the Timber (RW4)

Using NYLOCKS / END CAPS



**NOTES:**

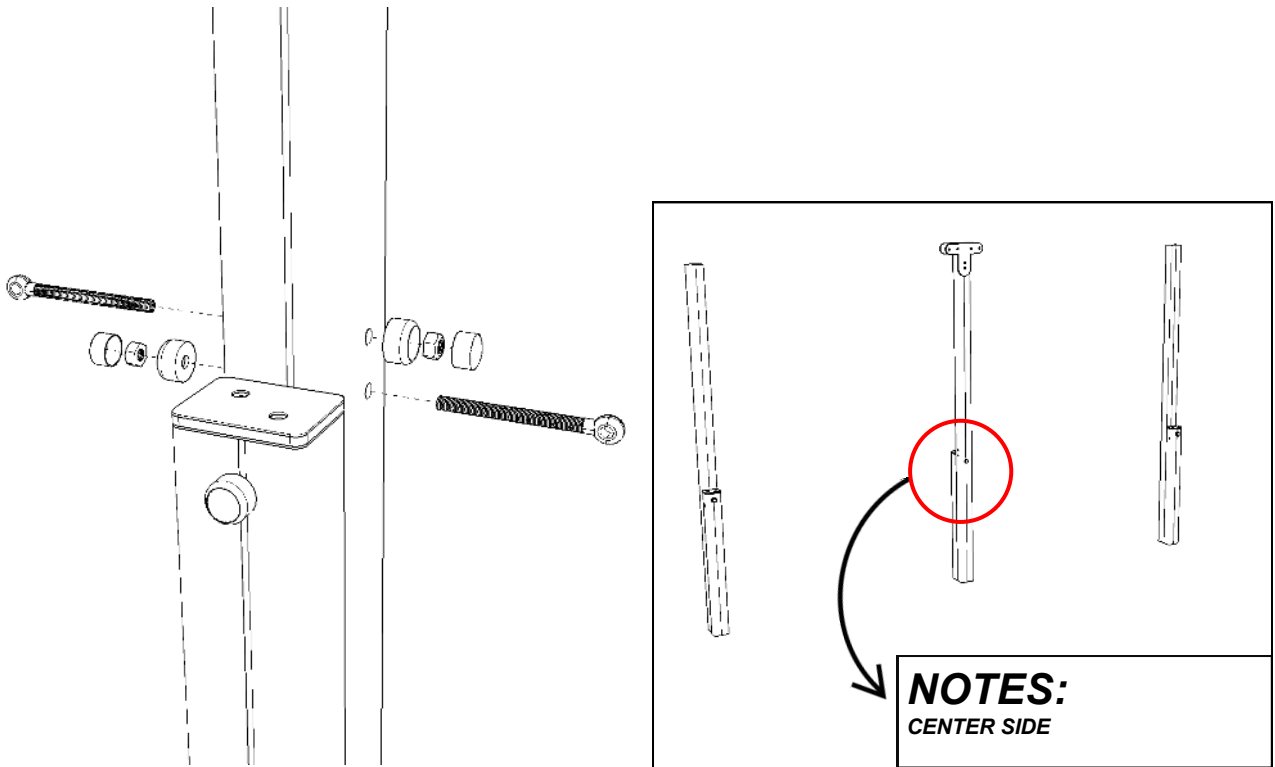
LEFT/RIGHT SIDES

# Assembly instructions

**3**

## Attach the Eyebolt to the Timber (RW2)

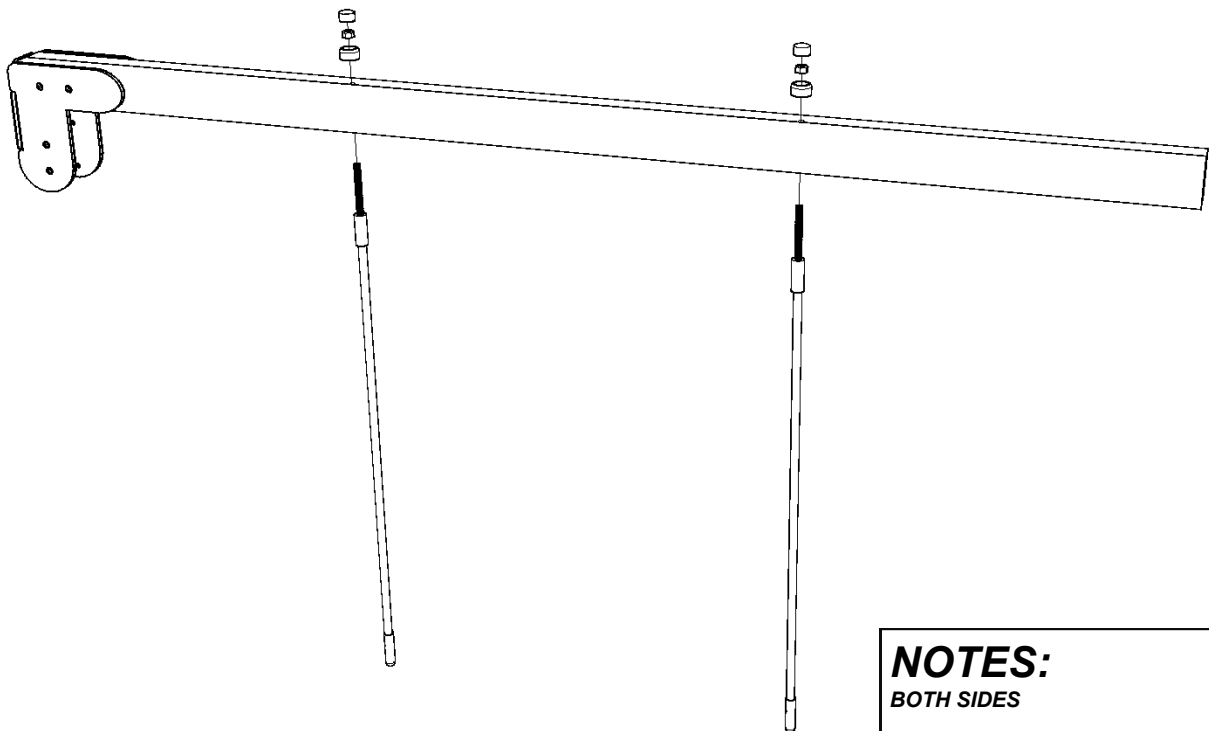
Using NYLOCKS / END CAPS



**4**

## Attach the ROPES to the TOP SECTION

Using FM80 BRASS CREWS

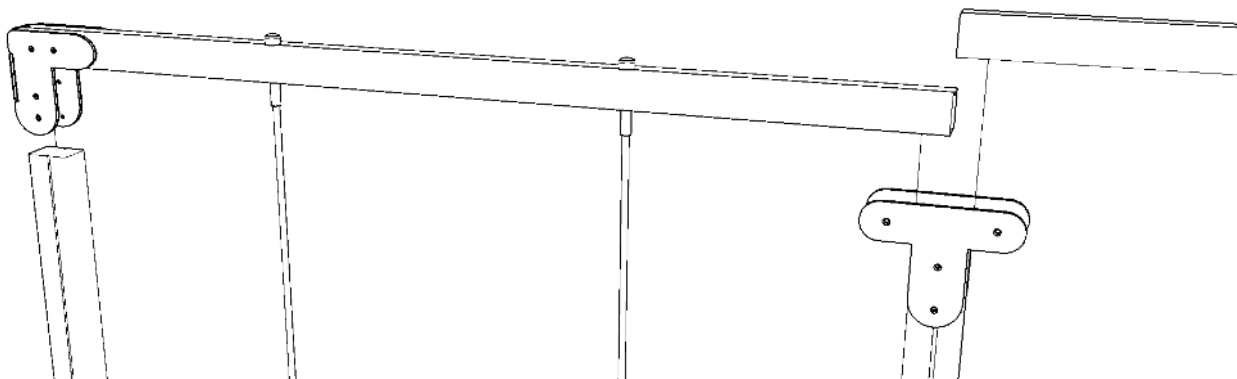


# Assembly instructions

**5**

## Attach TOP SECTIONS

Using FM80 BRASS CREWS

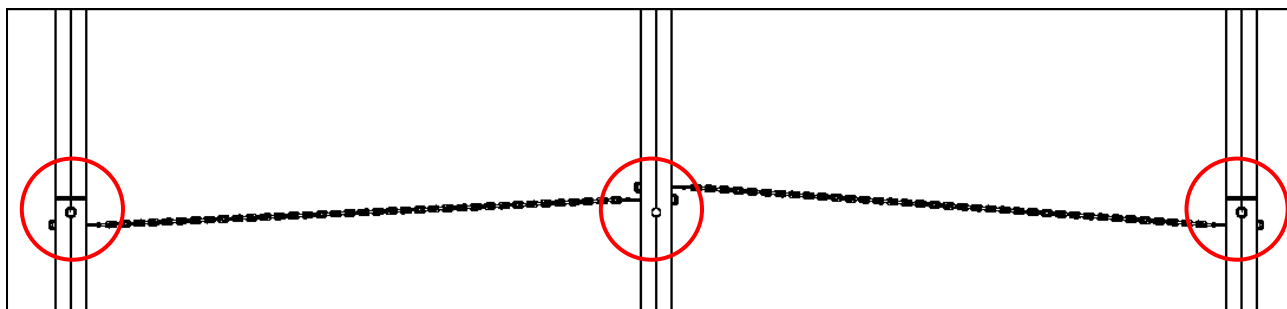
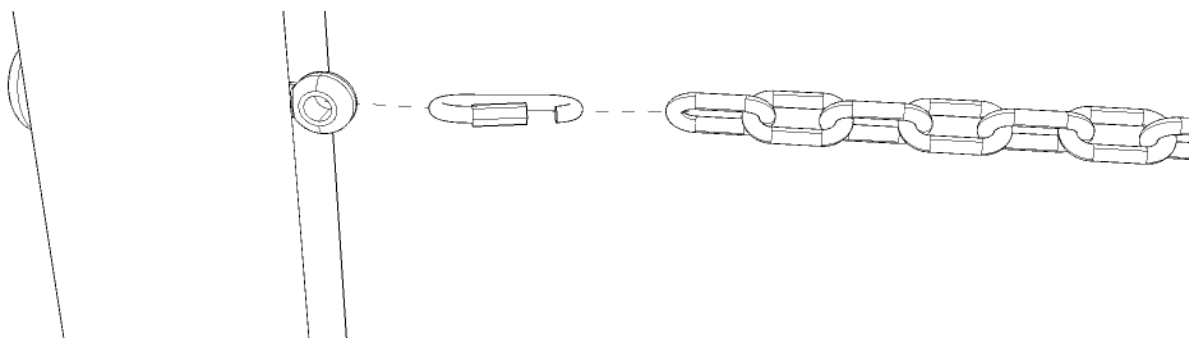


**NOTES:**  
BOTH SIDES

**6**

## Attach the CHAINS to the EYEBOLTS using a QUICKLINK

Use LOCK TIGHT to ensure the quick link remains CLOSED



# Additional dimensions

