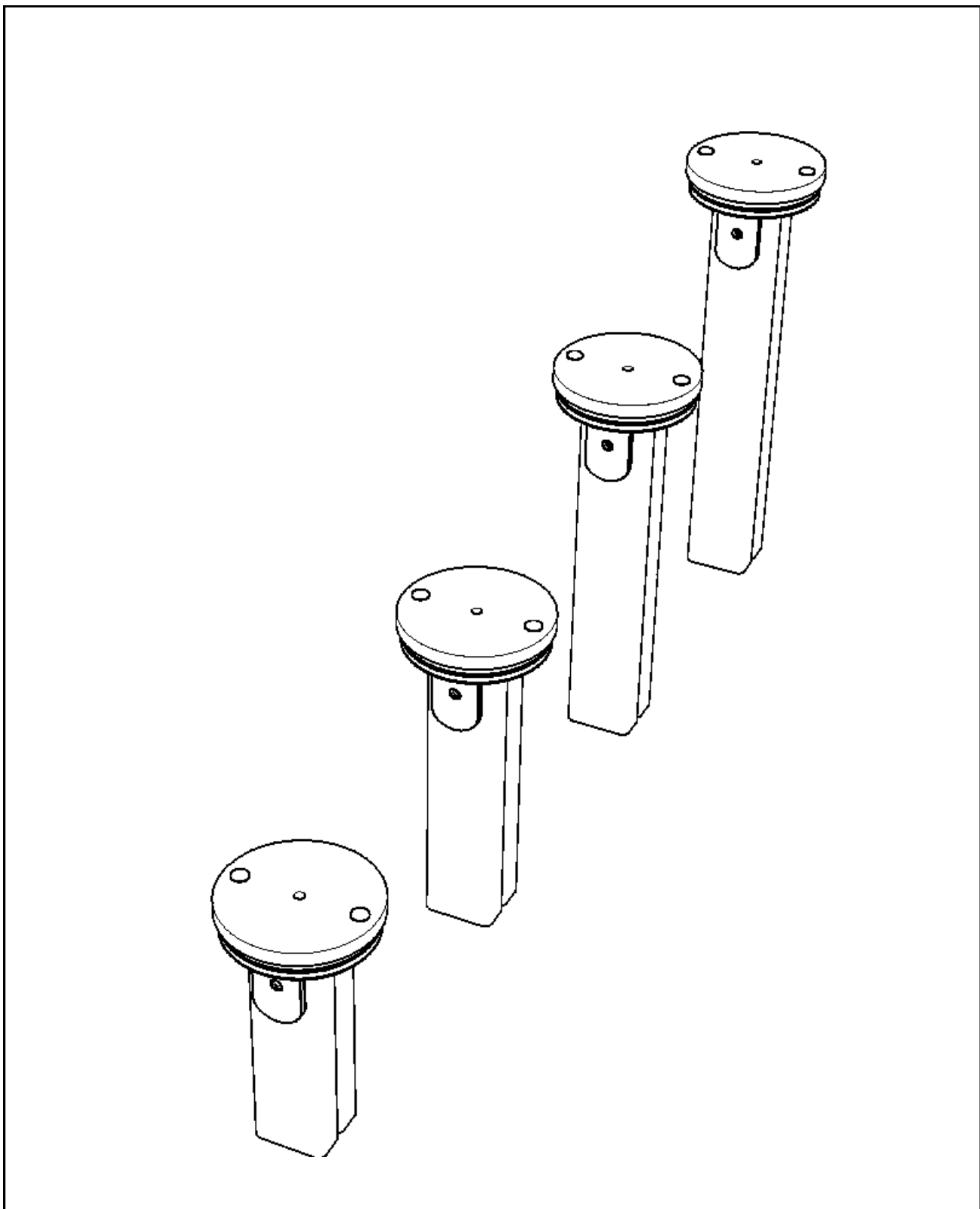
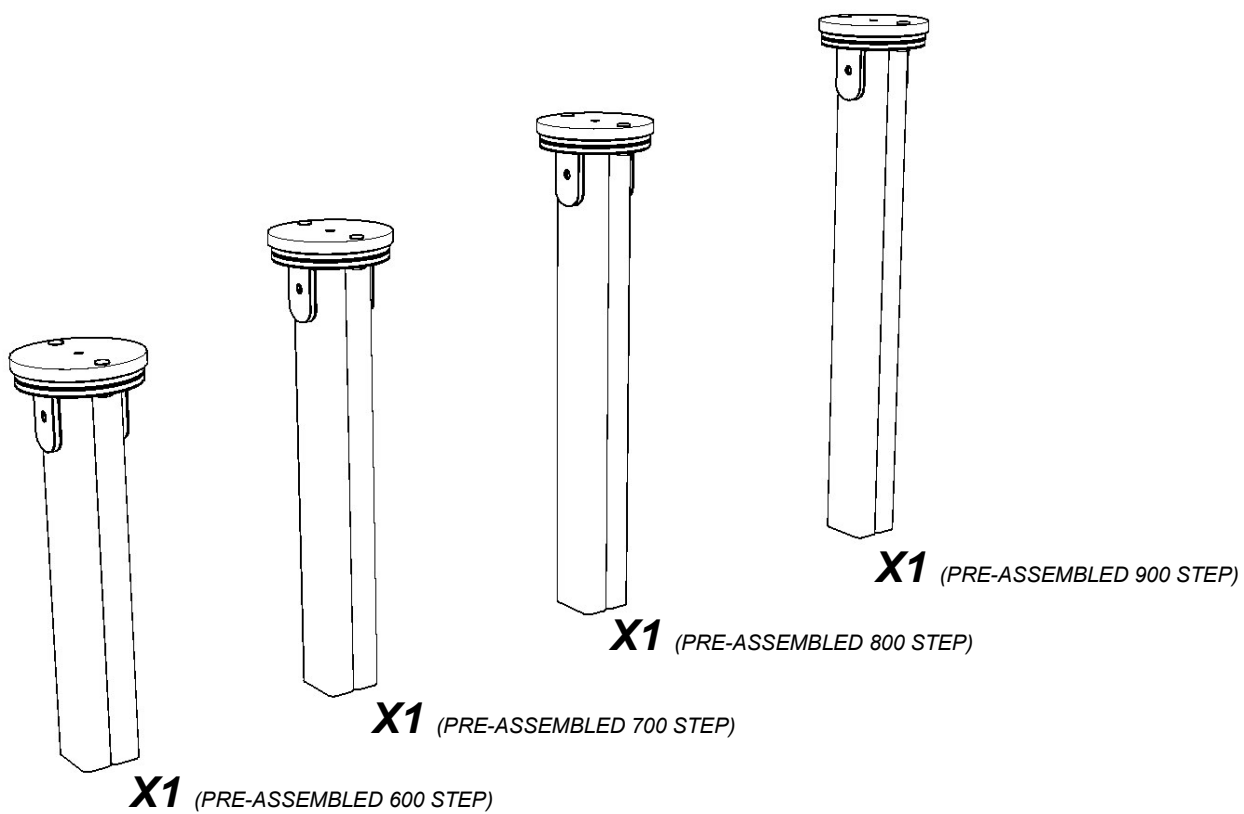


STEPPING LOGS

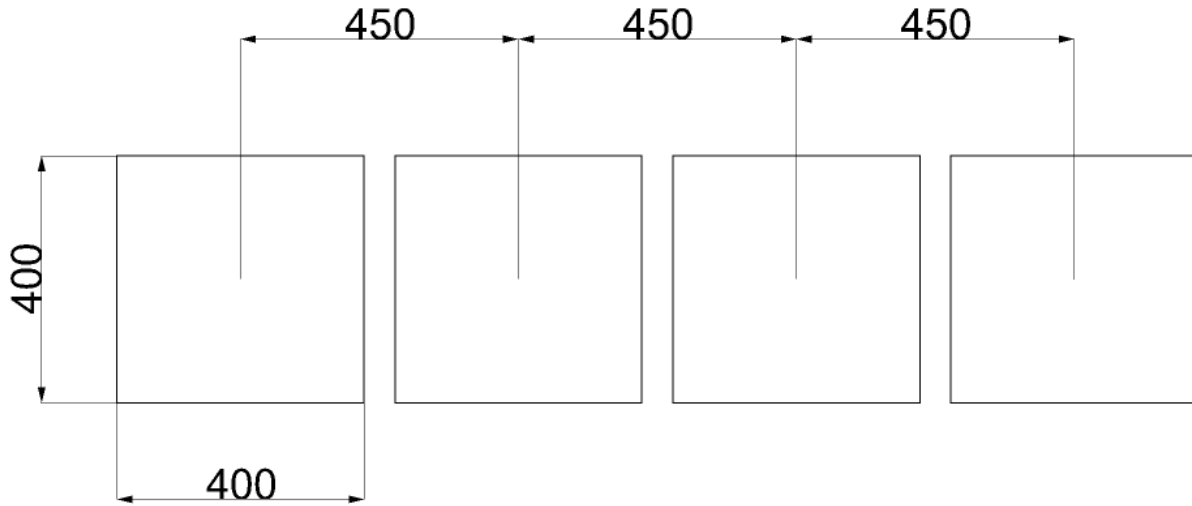
Installation Instructions



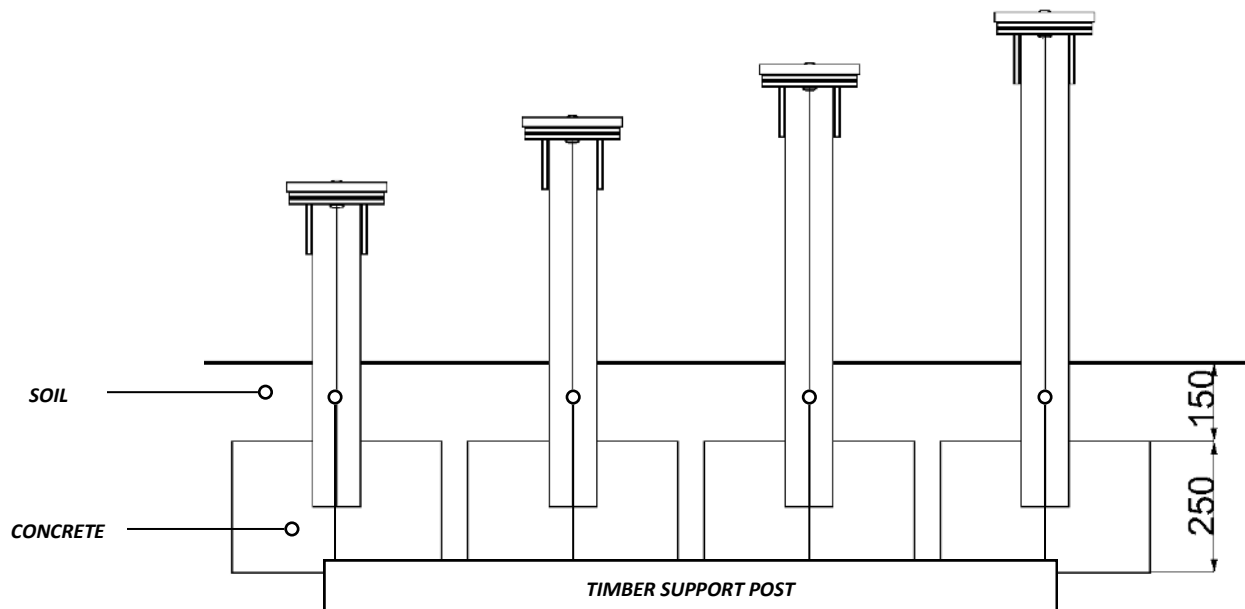
Parts required



Foundation details

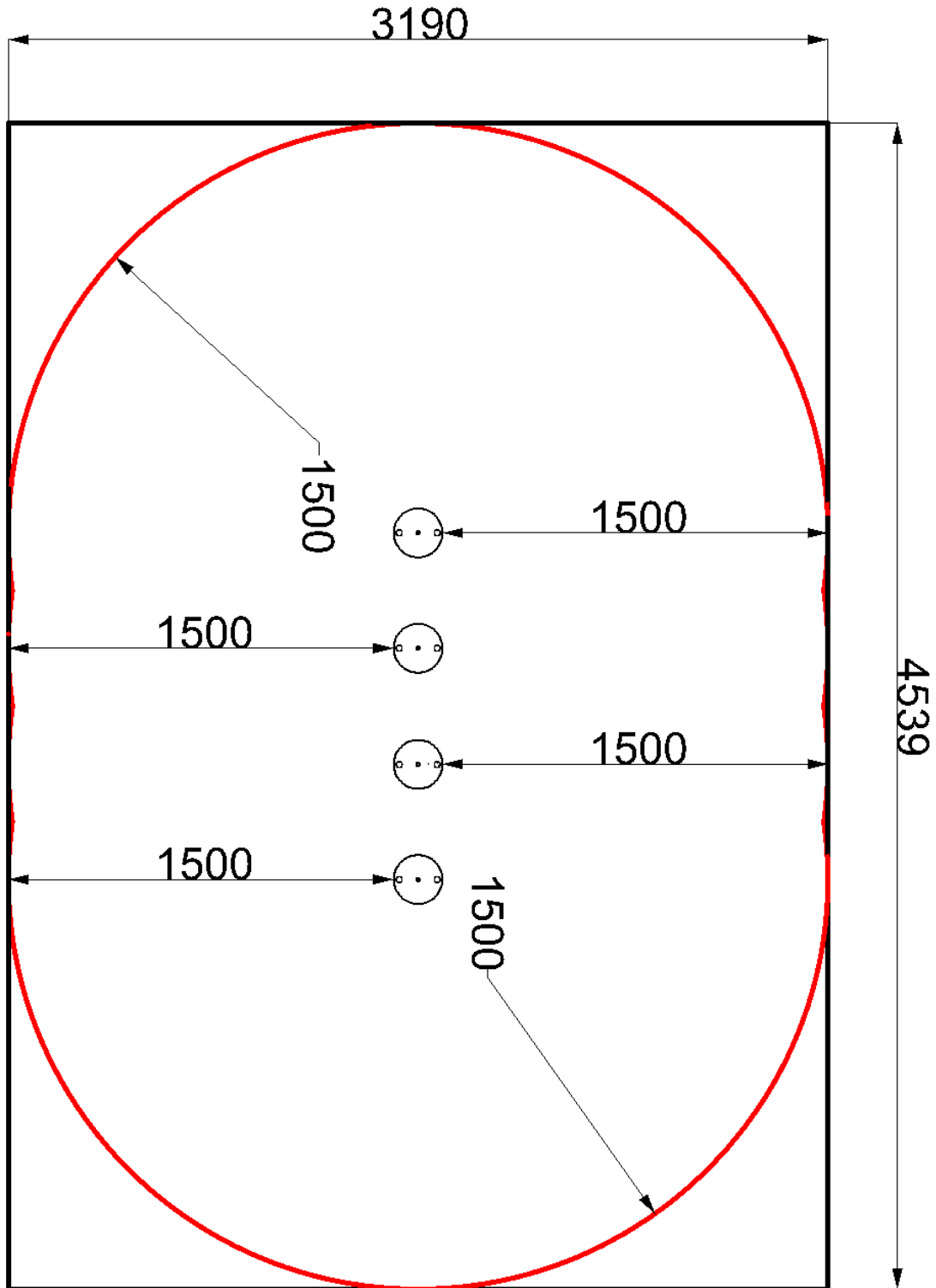


NOTE:
DISTANCE BETWEEN INDIVIDUAL
POSTS = 450mm (centres)



Surfacing details

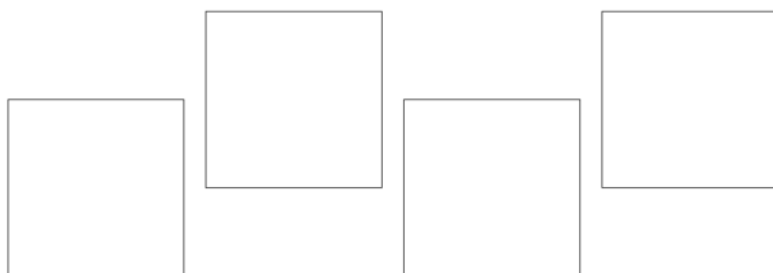
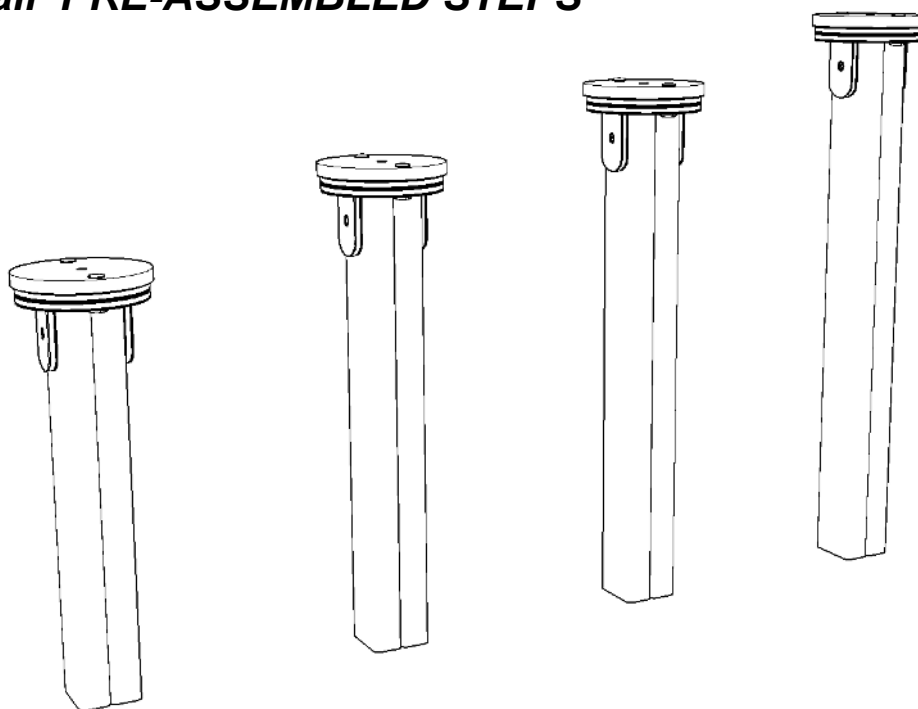
- - - - - = MINIMUM SPACE
———— = SURFACING AREA



Assembly instructions

1

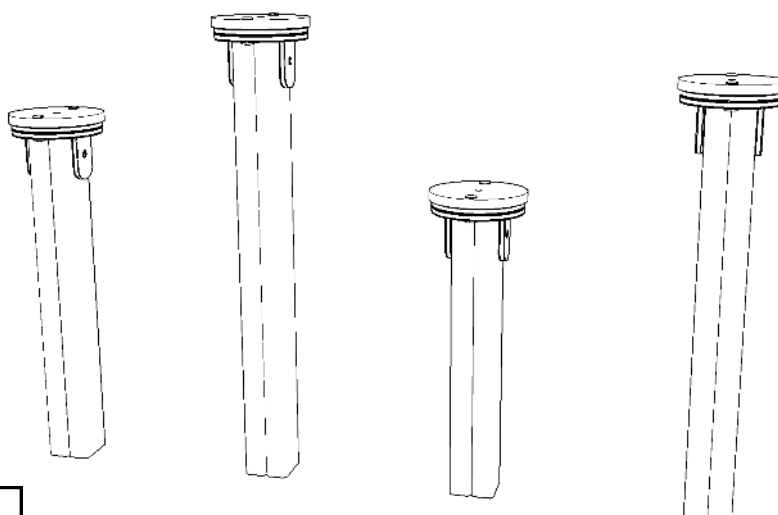
Install PRE-ASSEMBLED STEPS



NOTE:

Please check the **INDIVIDUAL INSTALLATION PLAN** to ensure the posts are positioned as required

VARIATION SHOWN RIGHT



NOTE:

DISTANCE BETWEEN INDIVIDUAL POSTS = 450mm (centres)

Additional dimensions

