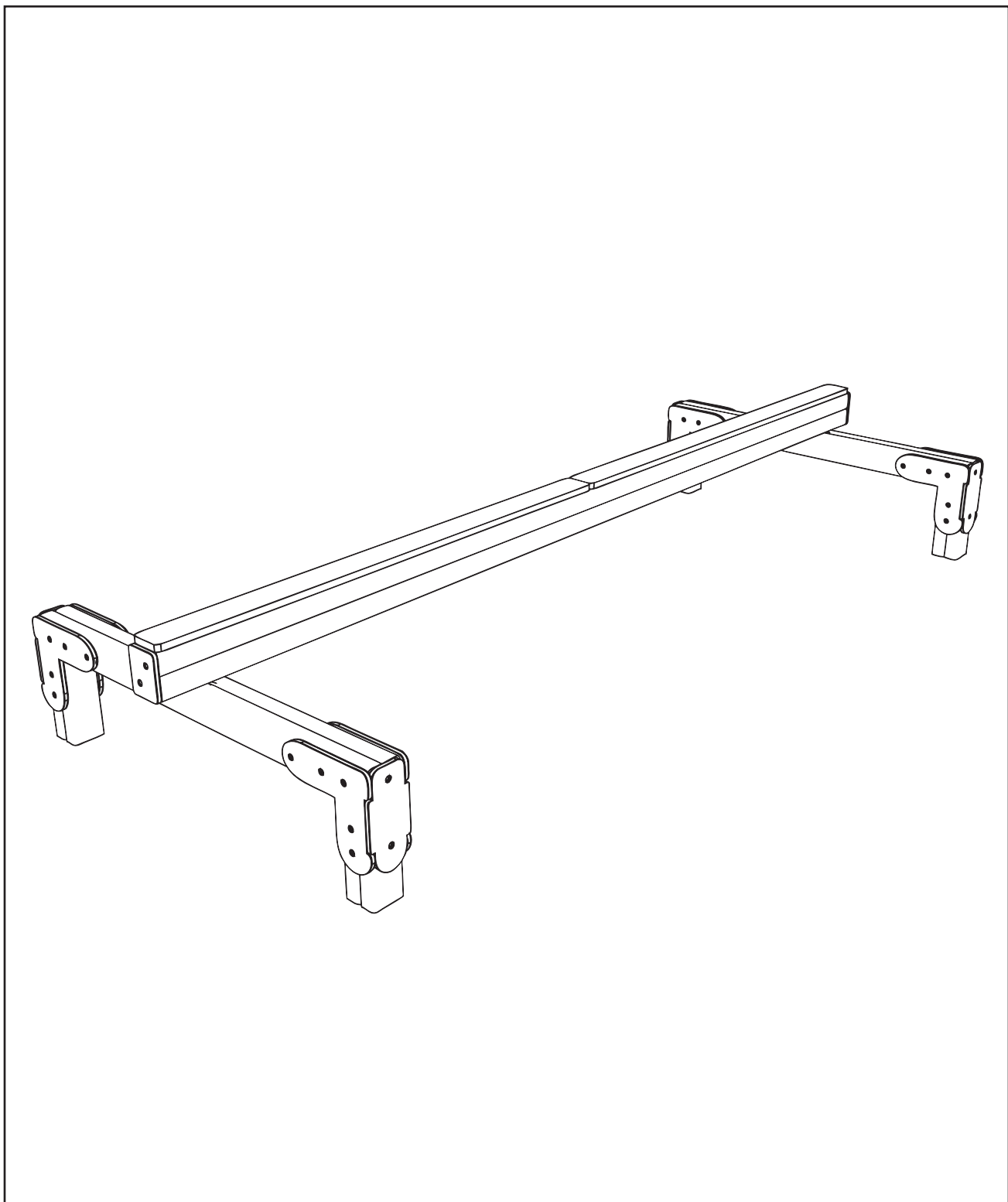
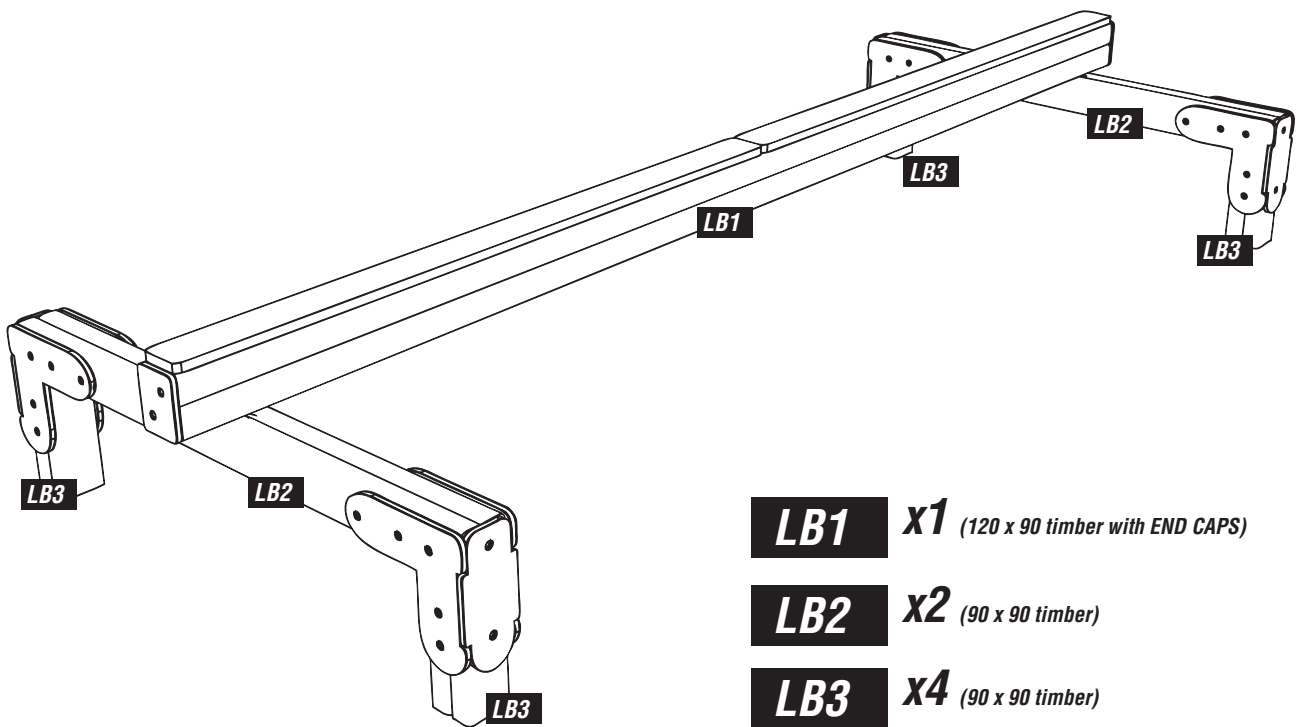


# **LOG BRIDGE**

## *Installation Instructions*



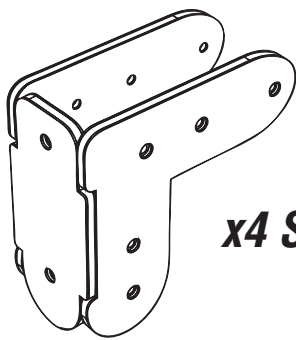
# PARTS required



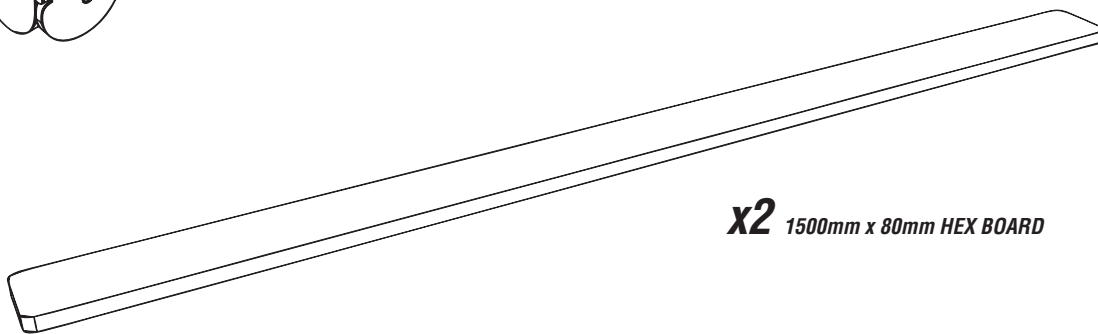
**LB1** x1 (120 x 90 timber with END CAPS)

**LB2** x2 (90 x 90 timber)

**LB3** x4 (90 x 90 timber)



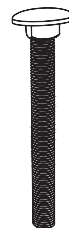
**x4 SETS** (90x90 PLAYTEC L's inc BACKS)



**x2** 1500mm x 80mm HEX BOARD



**x54** (FM80 'Brass screws')



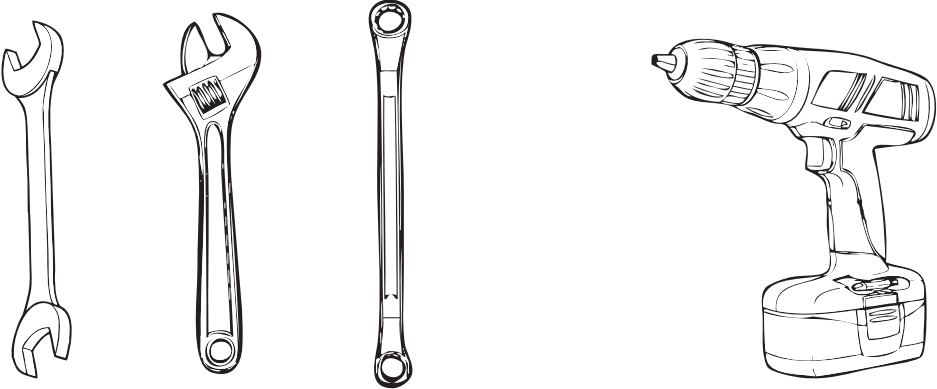
**x2** (M12 200\* cup square hex)



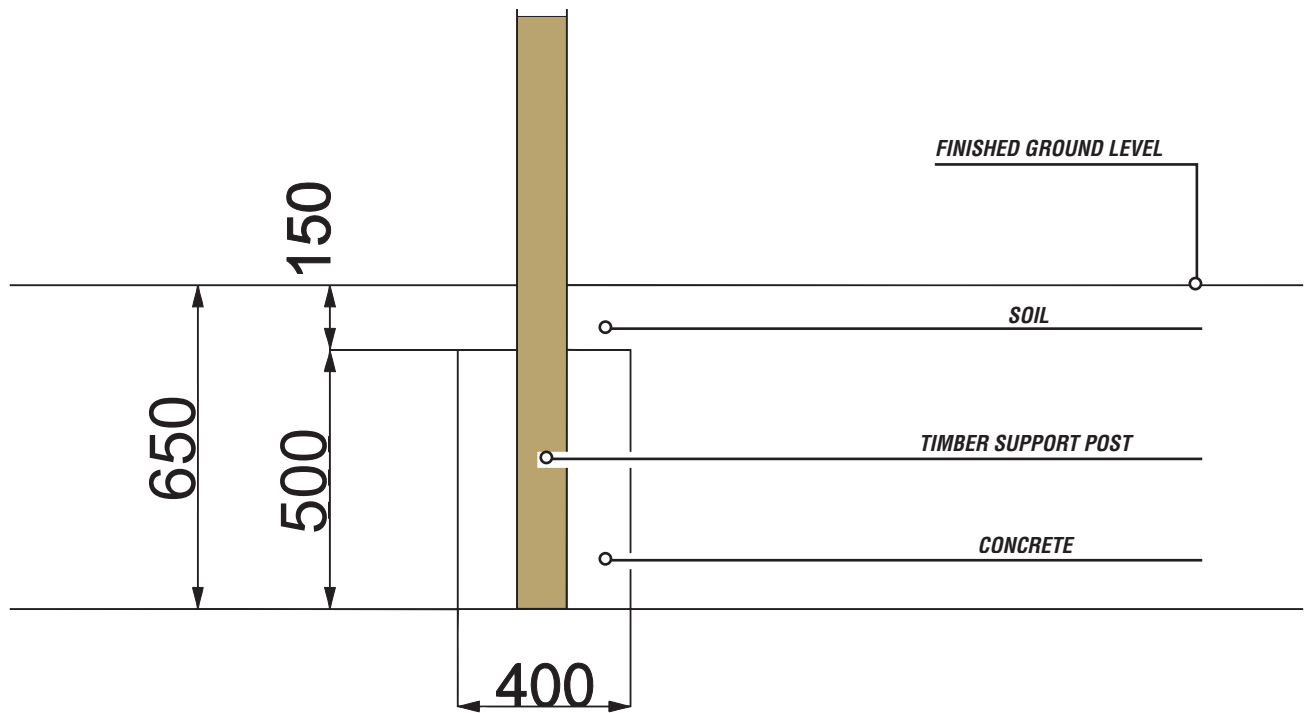
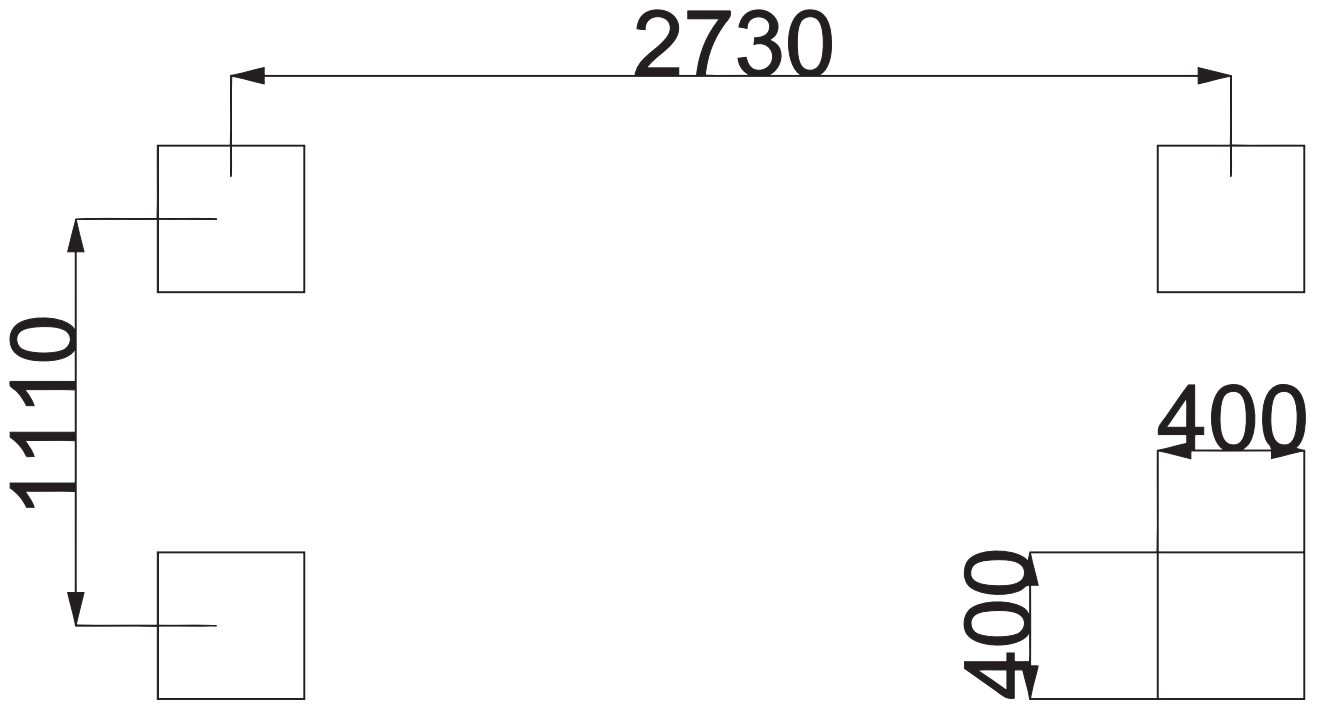
**x2** (M12 Nylocs)

# ***TOOLS required***

---



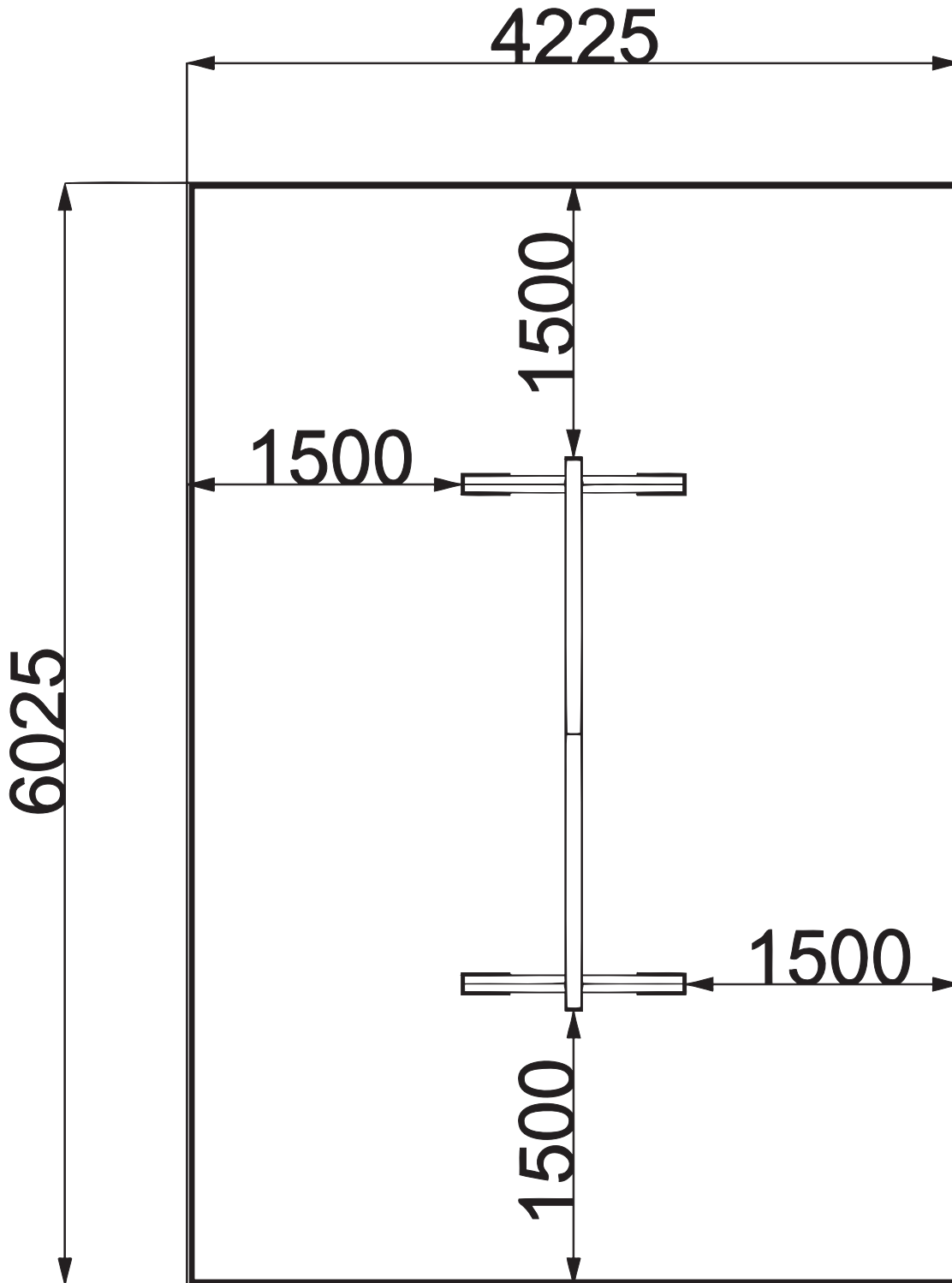
# Foundation Details



# Surfacing Details

---

- - - = MINIMUM SPACE
- = SURFACE AREA

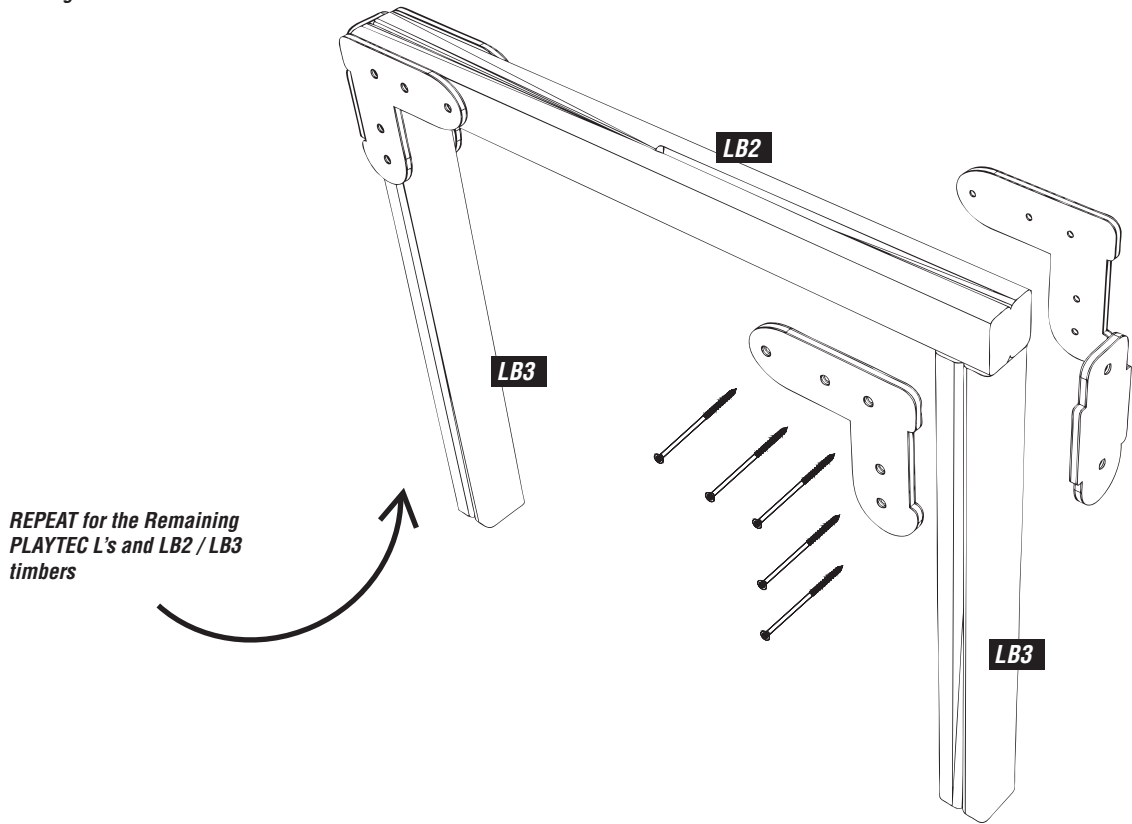


# Assembly Instructions

**1**

## Attach 2 x PLAYTEC L's to the LB2 / LB3 timbers

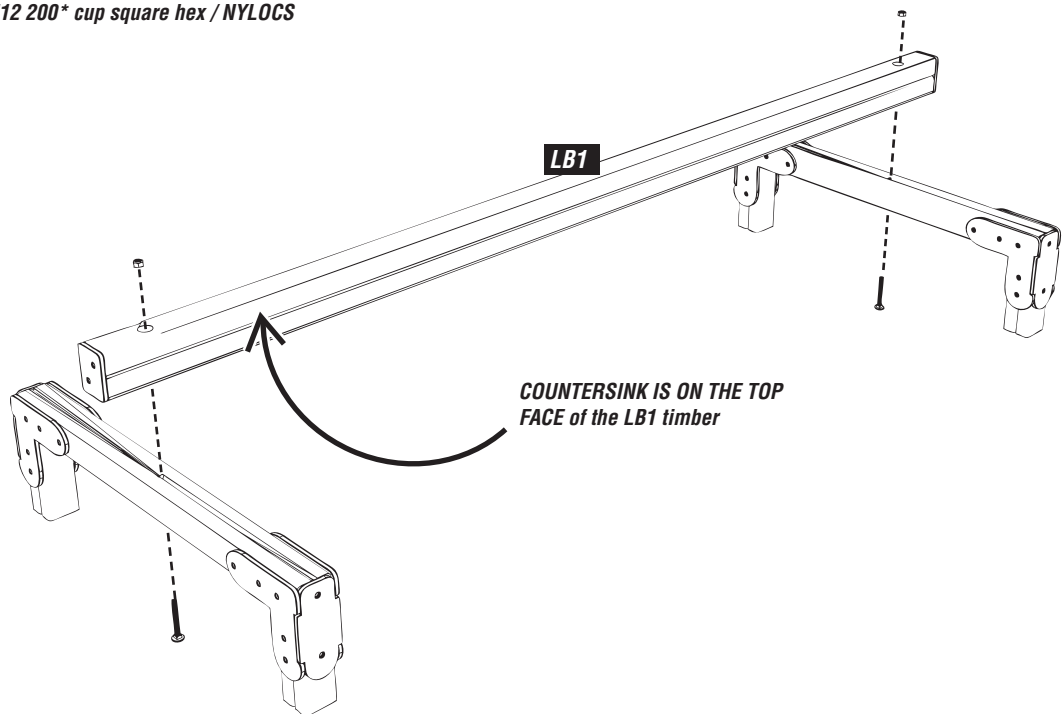
Using FM80 'BRASS SCREWS'



**2**

## Attach LB1 timber to the LB2/3 & PLAYTEC L 'frames'

Using M12 200\* cup square hex / NYLOCS

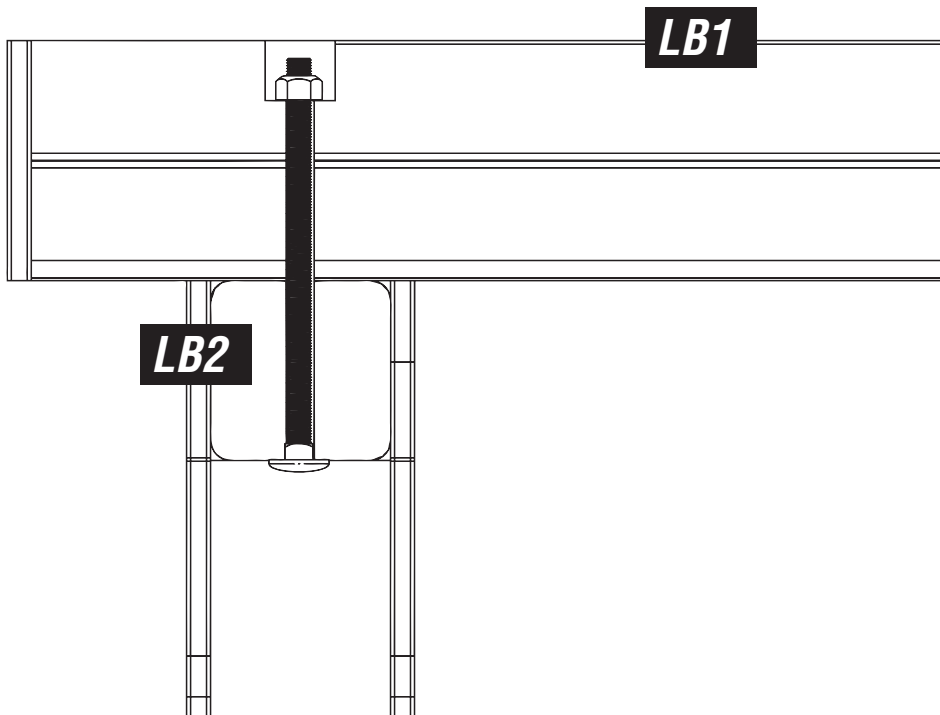


# Assembly Instructions

---

**3**

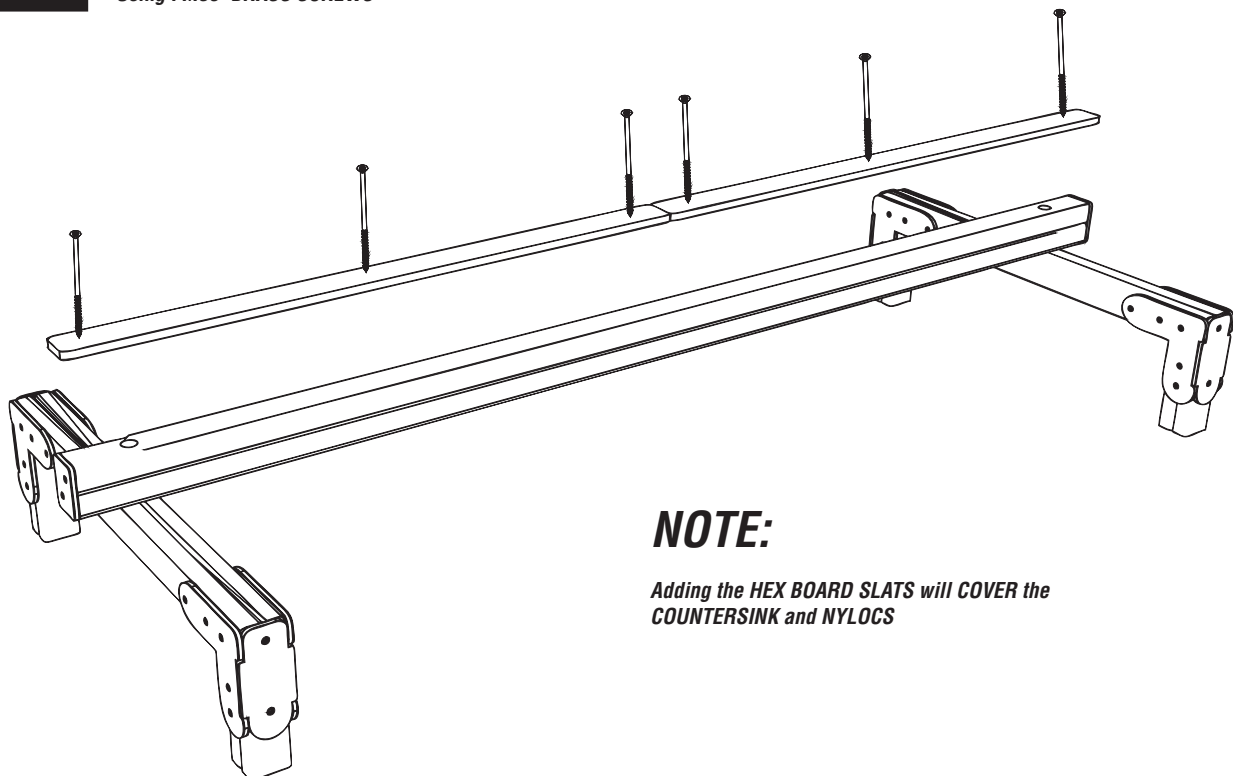
**Ensure the LB1 timber is as shown below**



**4**

**Attach the 2 x HEX BOARD SLATS to the LB1 timber**

*Using FM80 'BRASS SCREWS'*



**NOTE:**

*Adding the HEX BOARD SLATS will COVER the COUNTERSINK and NYLOCS*

# Additional Drawings

---

