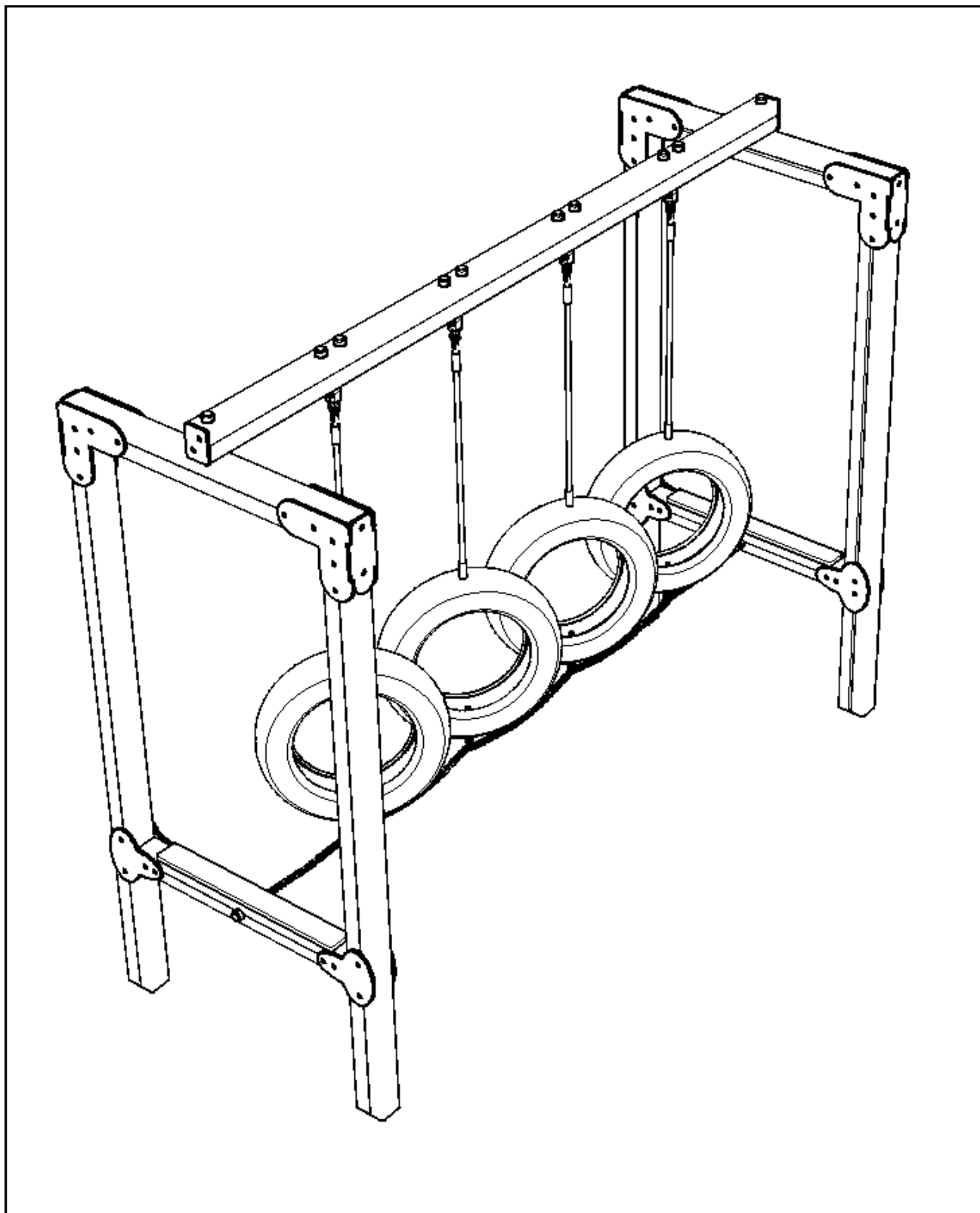


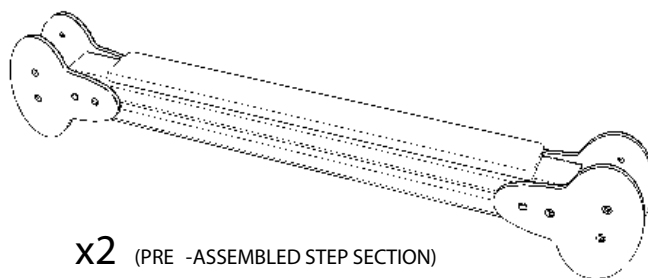
TYRE CROSSING

Installation Instructions

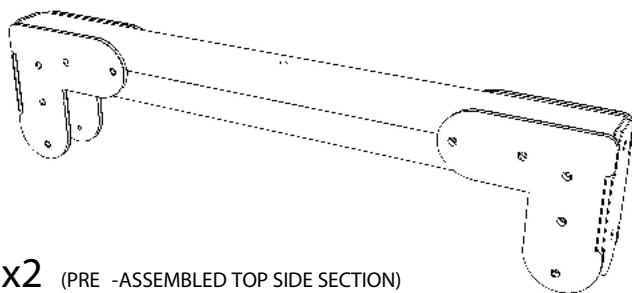
**creative
play**



Parts required



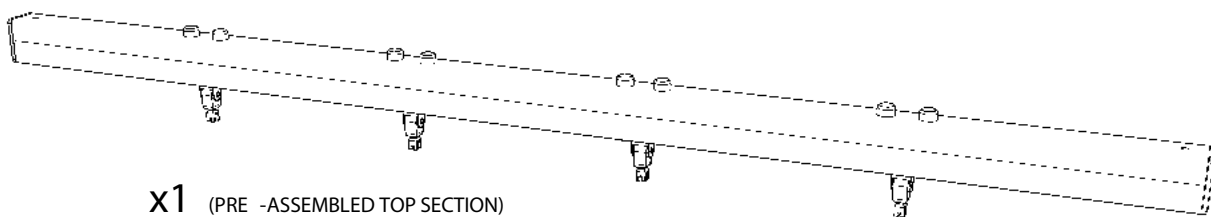
x2 (PRE -ASSEMBLED STEP SECTION)



x2 (PRE -ASSEMBLED TOP SIDE SECTION)



x8 (NUT CAP)



x1 (PRE -ASSEMBLED TOP SECTION)



x2 (M12 x 260 square cup hex bolt)



x2 (EYEBOLT x 130)



x36 (FM80 'BRASS SCREW')



x4 (end caps)

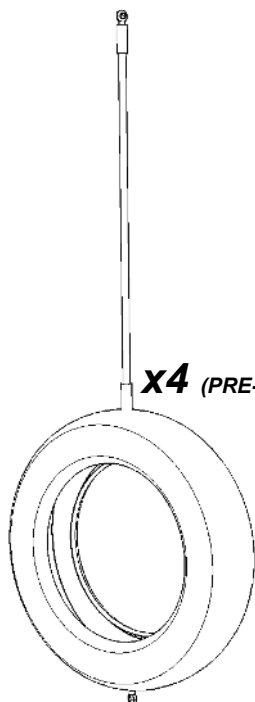


x10 (QUICKLINK)



x4 (M12 NYLOC)

Parts required



x4 (PRE-ASSEMBLED TYRE ROPE)



x3 (Chain x 650mm)



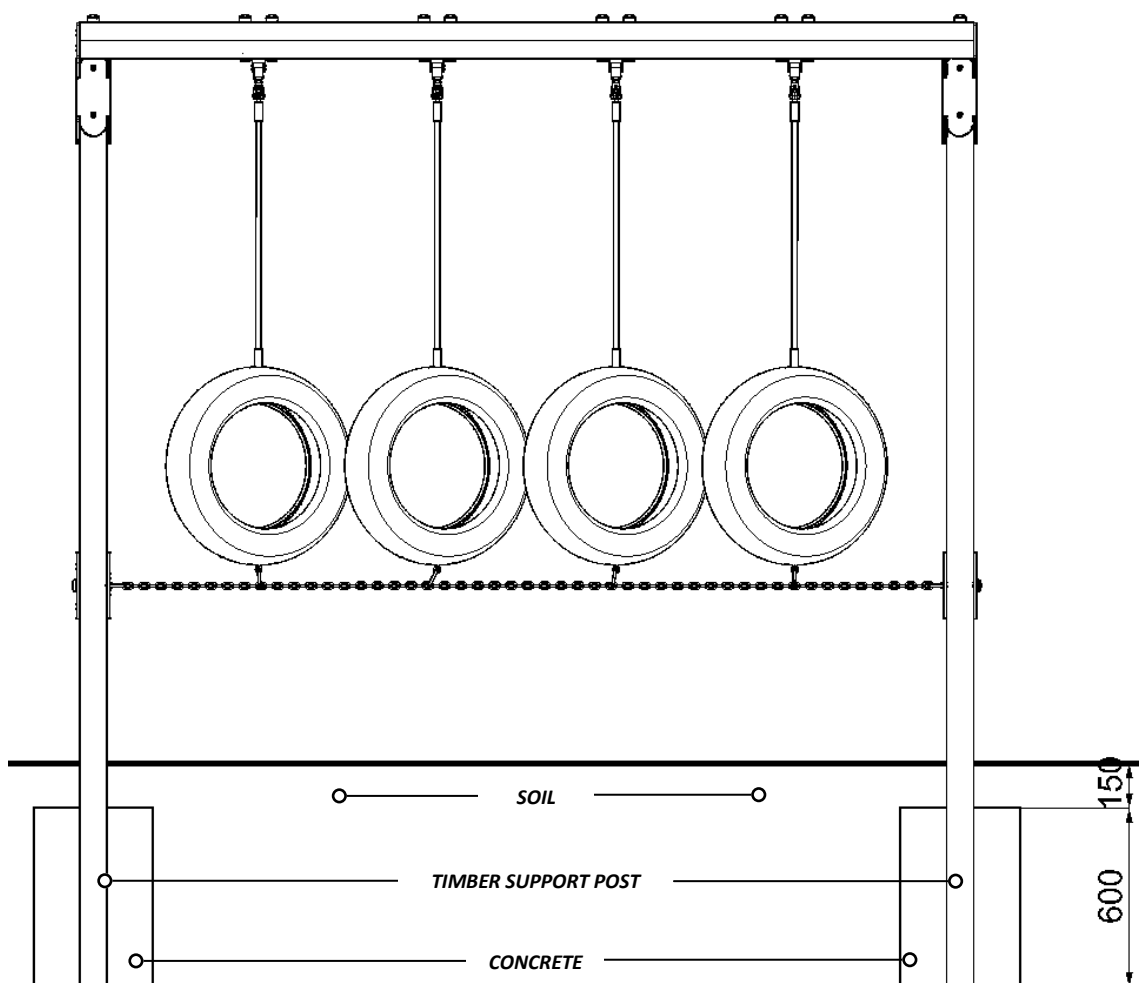
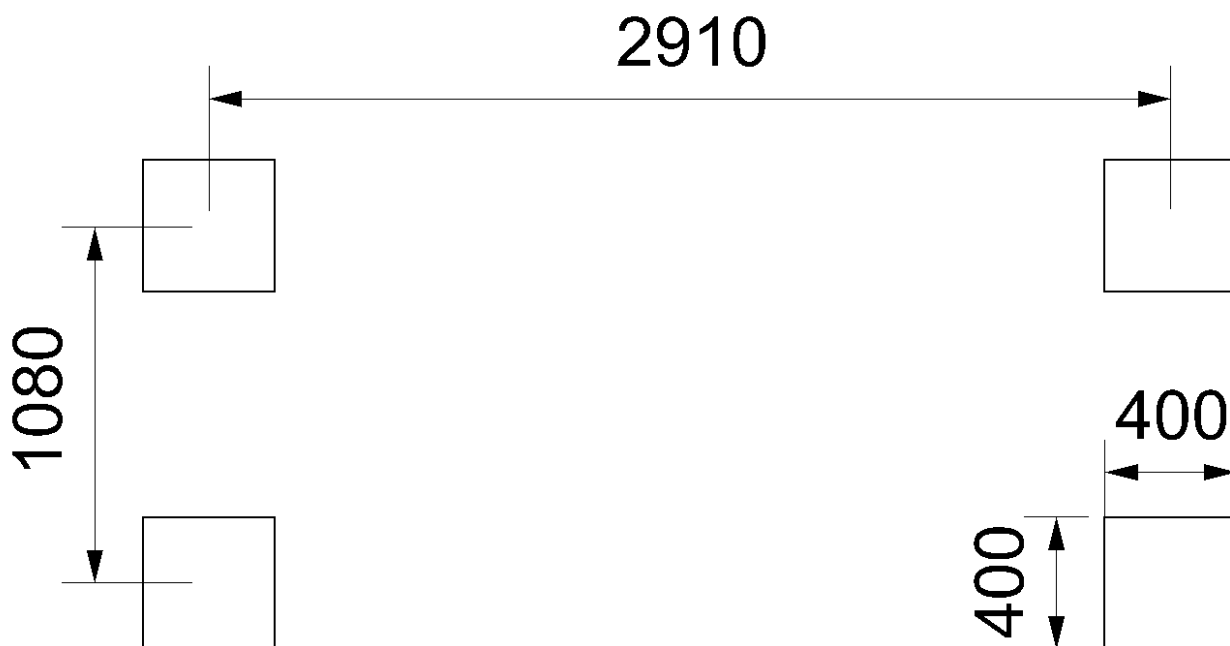
x2 (Chain x 470mm)

TC1 QTY x 4
(120mm x 90mm)

TOOLS required

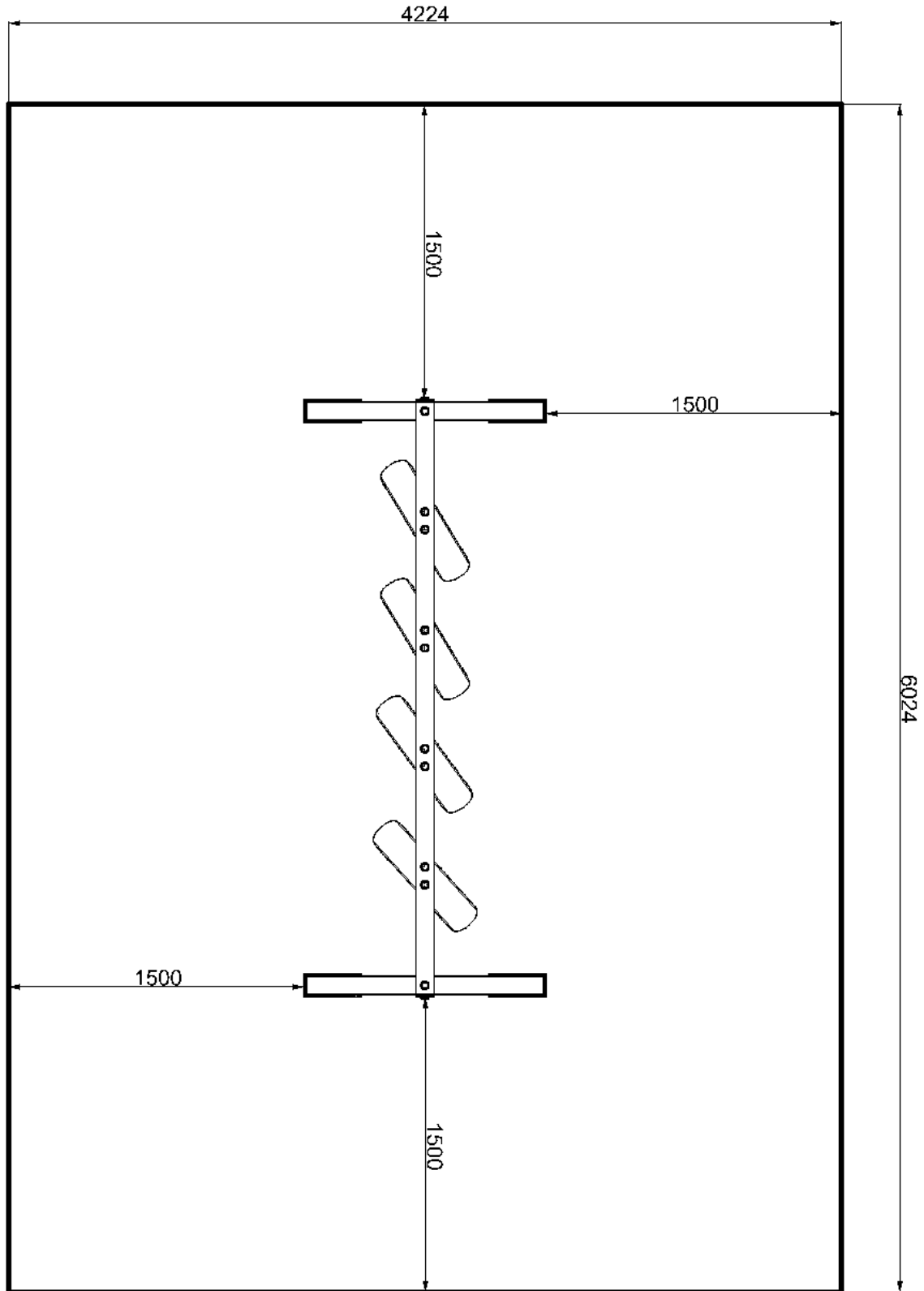


Foundation details



Surfacing details

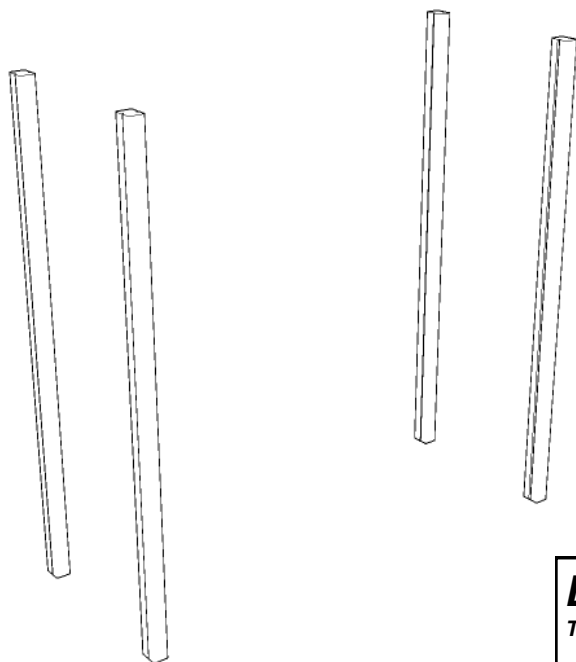
----- = MINIMUM SPACE
————— = SURFACING AREA



Assembly instructions

1

Install the timbers (SW1)



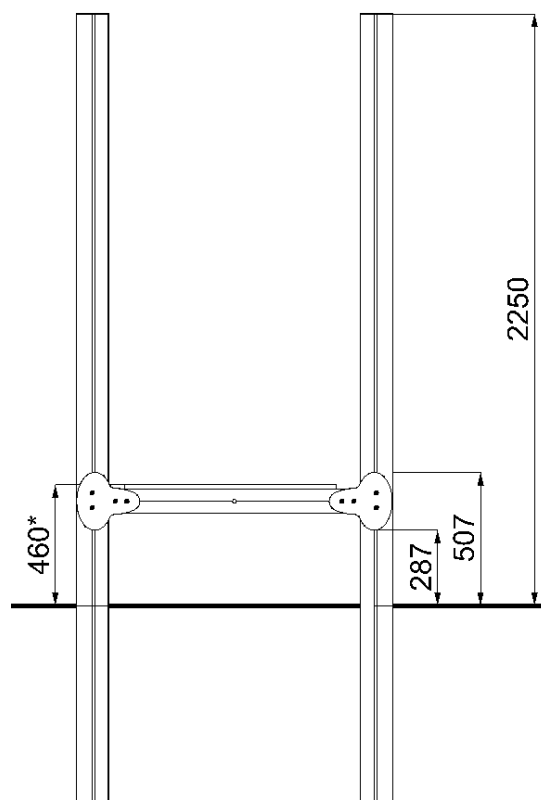
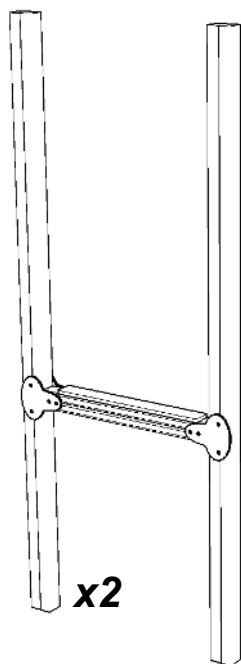
ENSURE:

The faces are in the correct direction

2

Attach the **PRE-ASSEMBLED STEP SECTIONS**

Using FM80 BRASS SCREWS



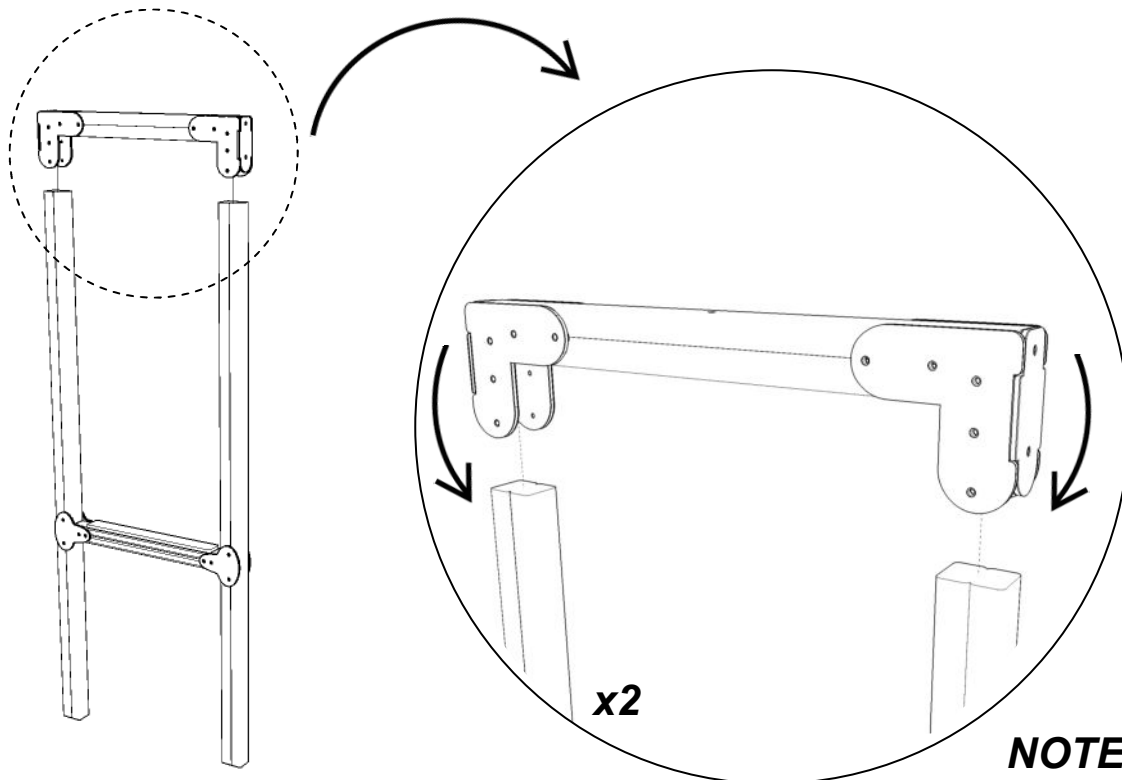
* Depending on Rope-Tire dimension

Assembly instructions

3

Attach the PRE-ASSEMBLED TOP SIDE SECTIONS

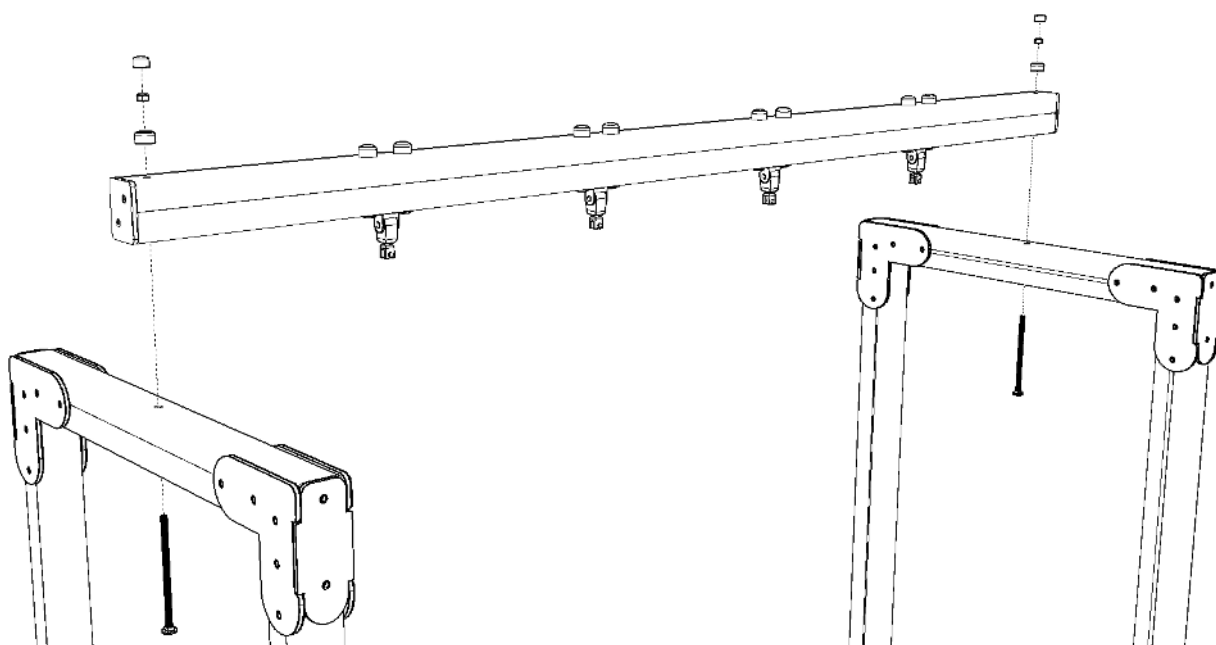
Using FM80 BRASS SCREWS



4

Attach the TOP SECTION to the TOP SIDE SECTIONS

using M12 CUP SQUARE BOLTS / NYLOCS / END CAPS

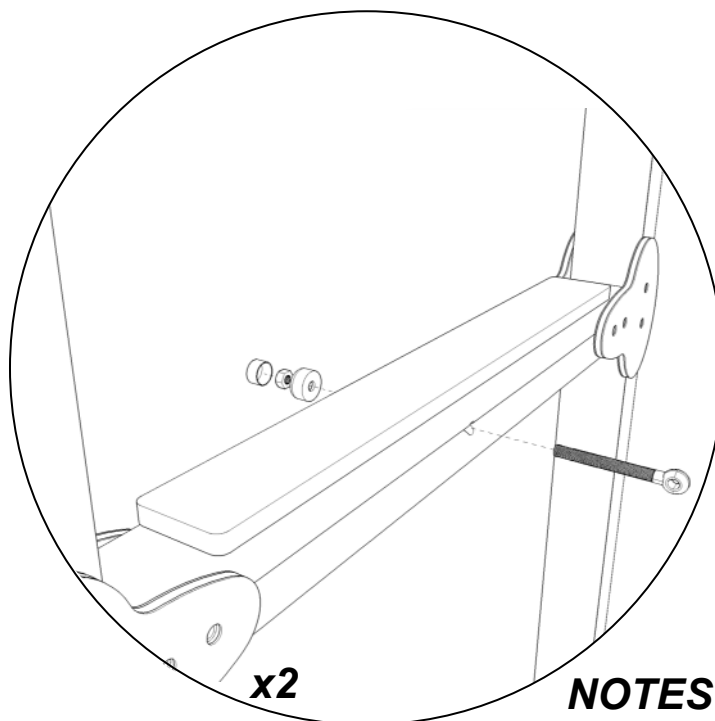
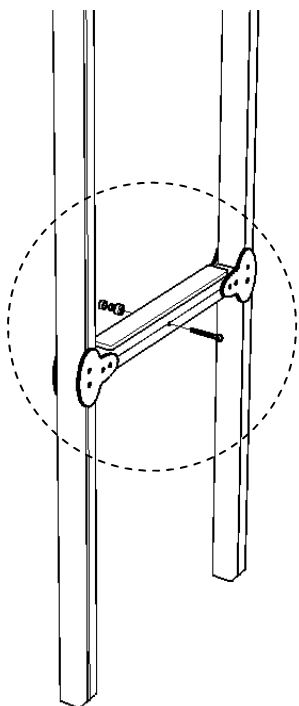


Assembly instructions

5

Attach the Eyebolt to the Timber (MB1)

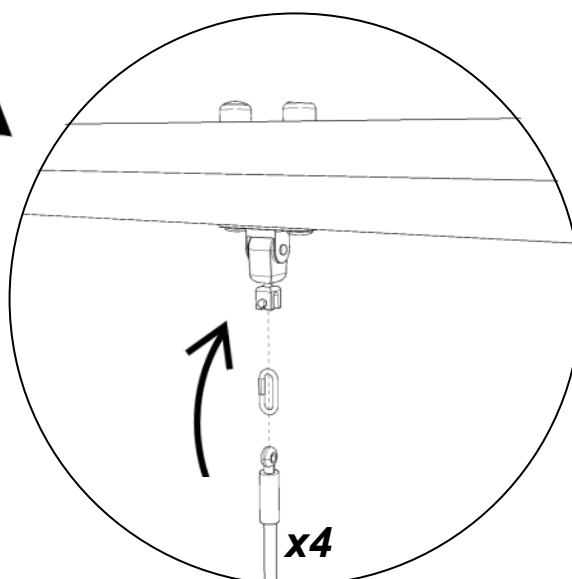
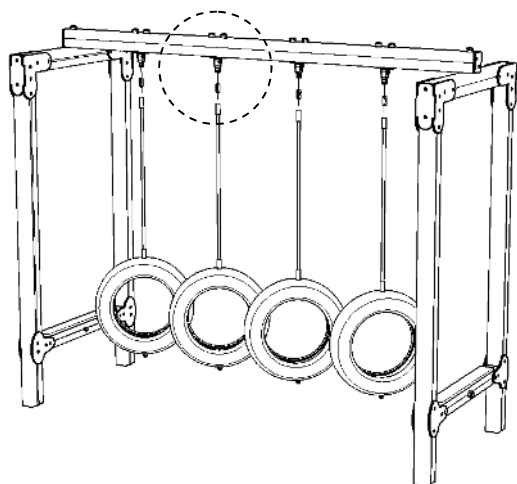
Using NYLOCKS / END CAPS



6

Attach the TYRE - ROPE to the TOP PIECE

Use LOCK TIGHT to ensure the quick link remains CLOSED



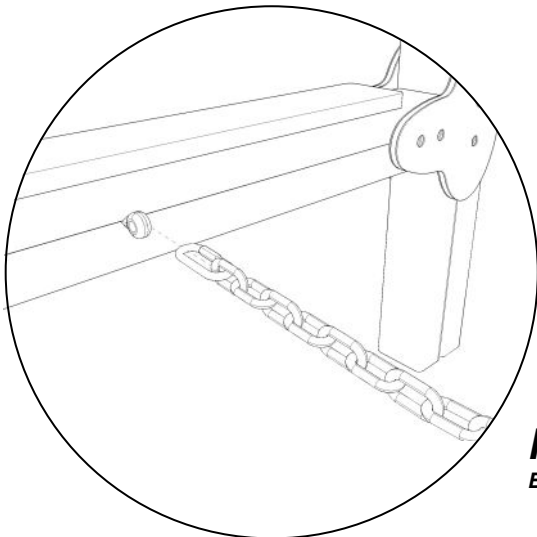
ENSURE:
COVER THE ENDS WITH BLACK CAPS

Assembly instructions

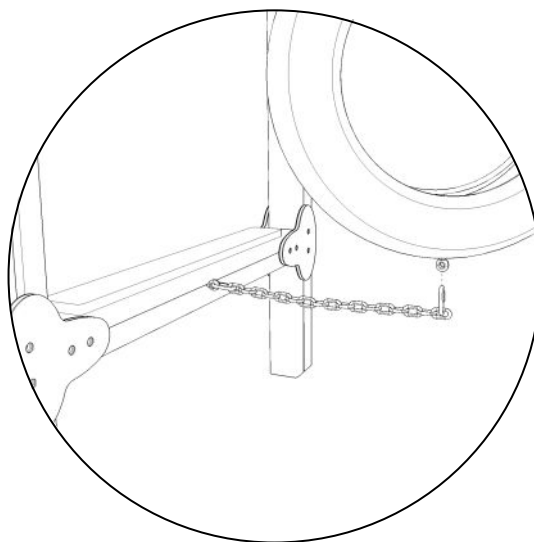
7

Attach the QUICKLINK to the CHAIN

Use **LOCK TIGHT** to ensure the quick link remains **CLOSED**



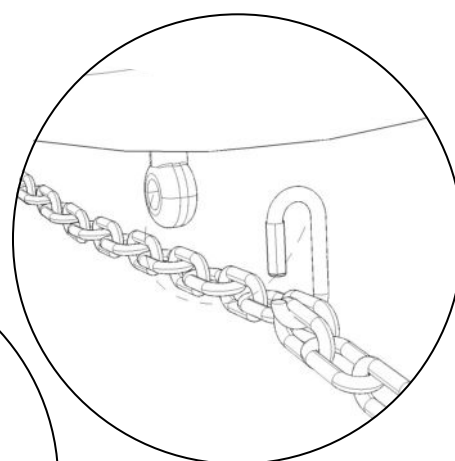
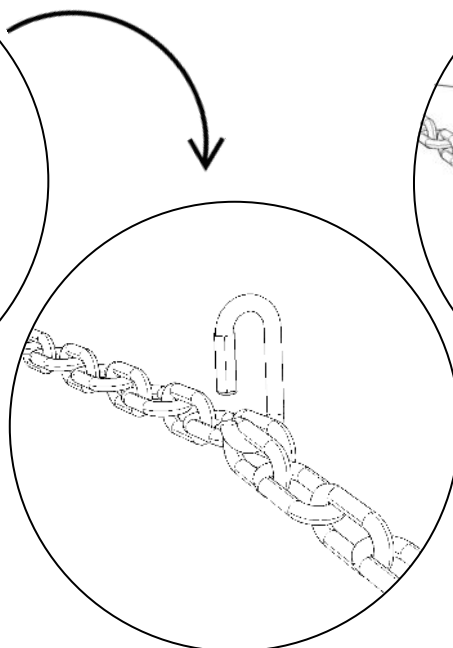
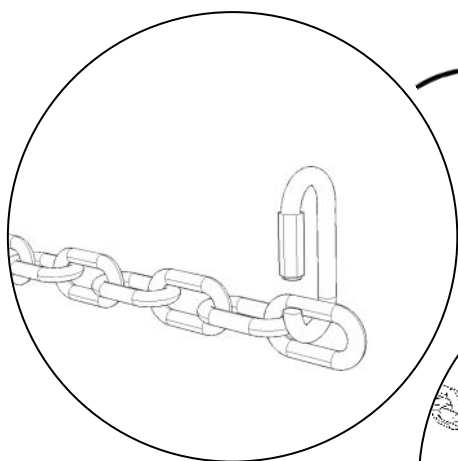
NOTES:
BOTH SIDES



7a

Attach the QUICKLINK between CHAINS and EYEBOLTS

Use **LOCK TIGHT** to ensure the quick link remains **CLOSED**



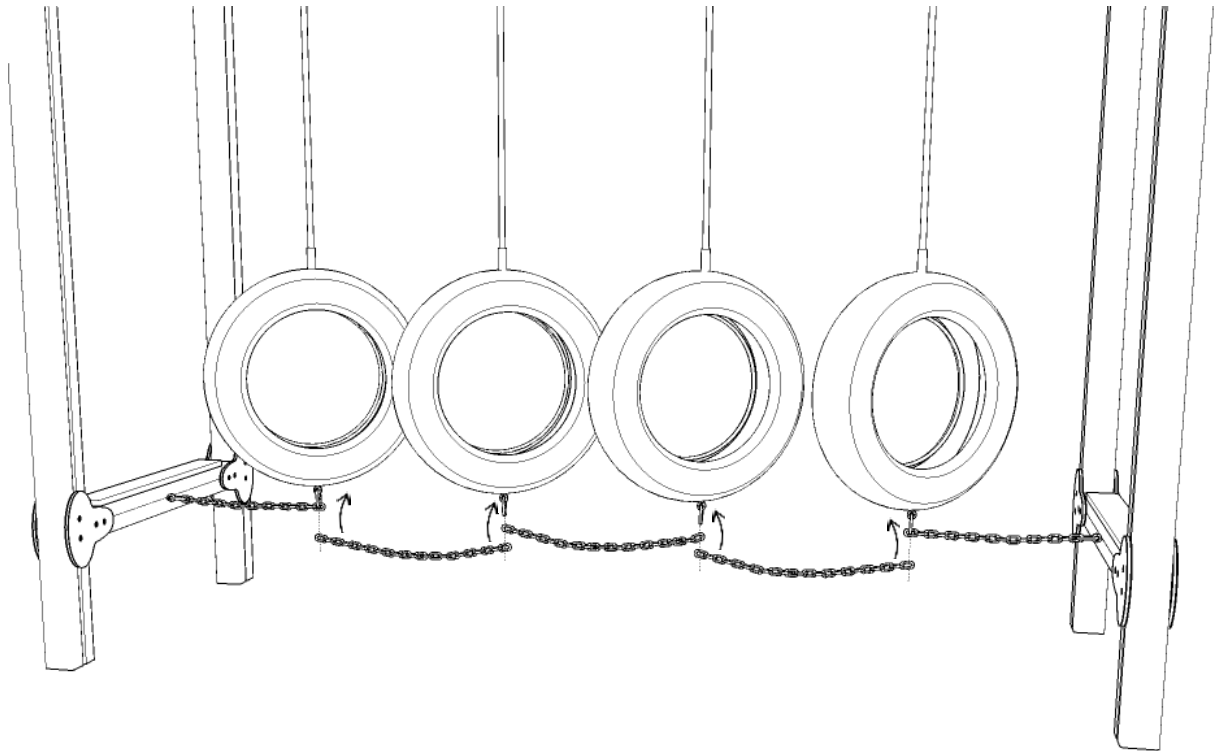
ENSURE:
QUICKLINK IS SCREWED DOWN

Assembly instructions

7b

Attach the QUICKLINK between CHAINS and EYEBOLTS

Use **LOCK TIGHT** to ensure the quick link remains **CLOSED**



Additional dimensions

