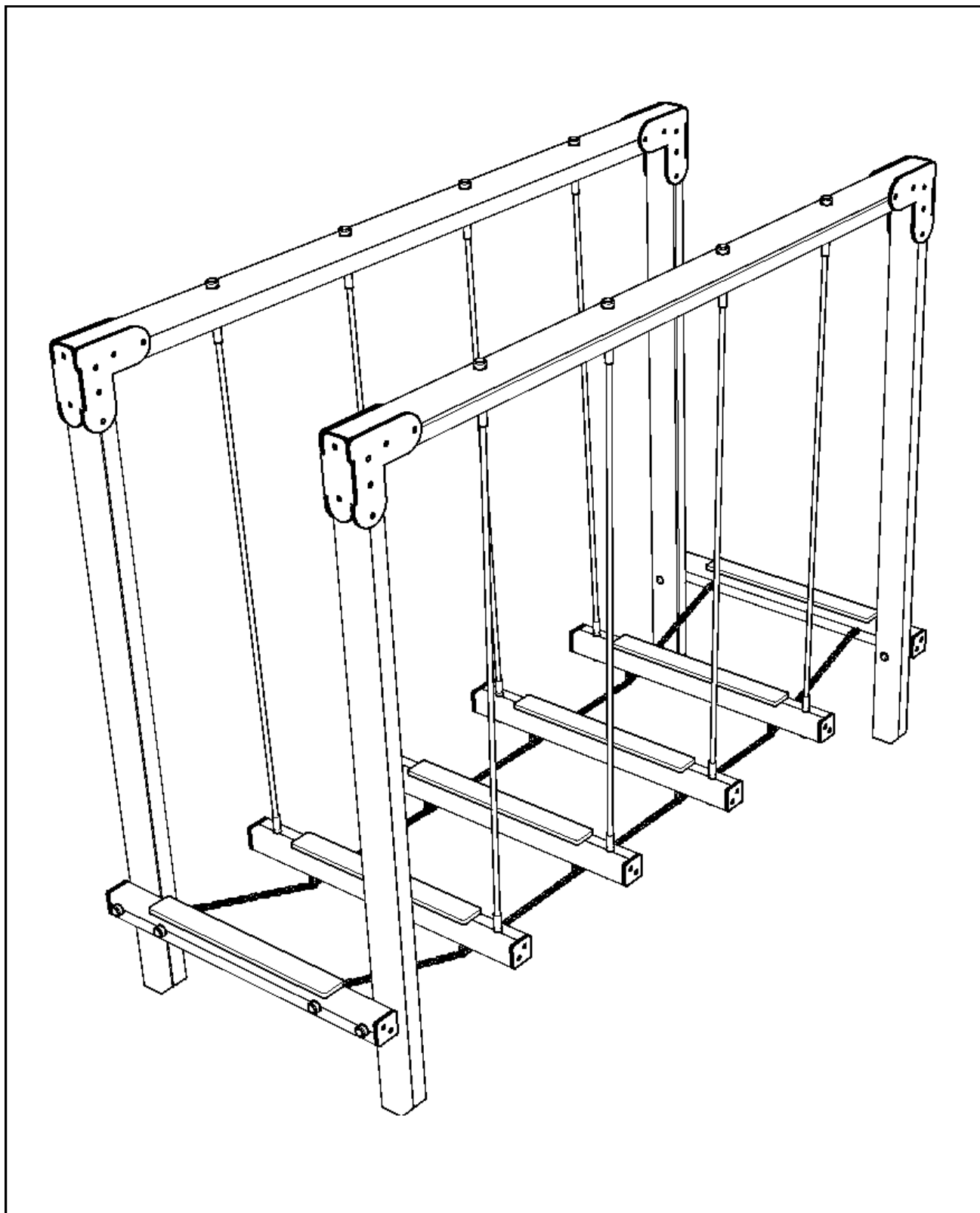


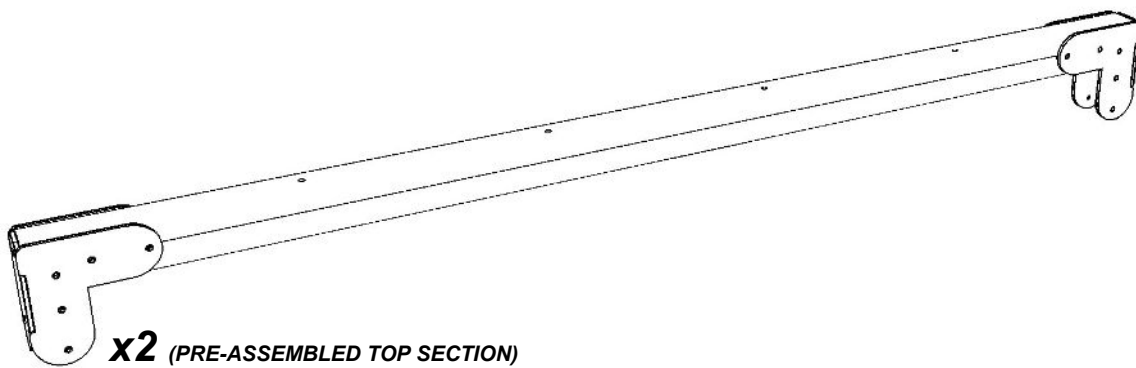
LOG WALK

Installation Instructions

**creative
play**

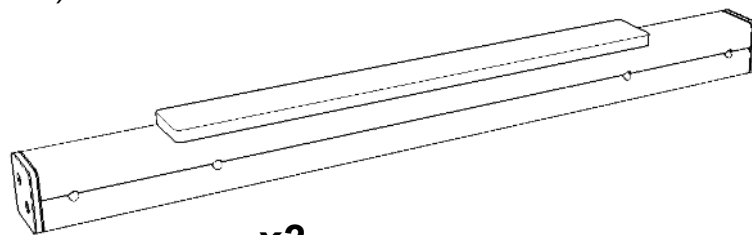
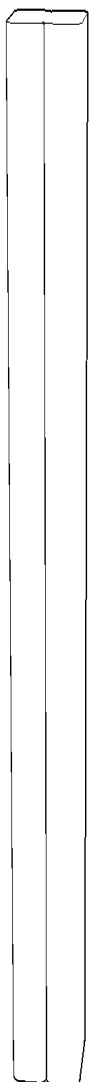


Parts required

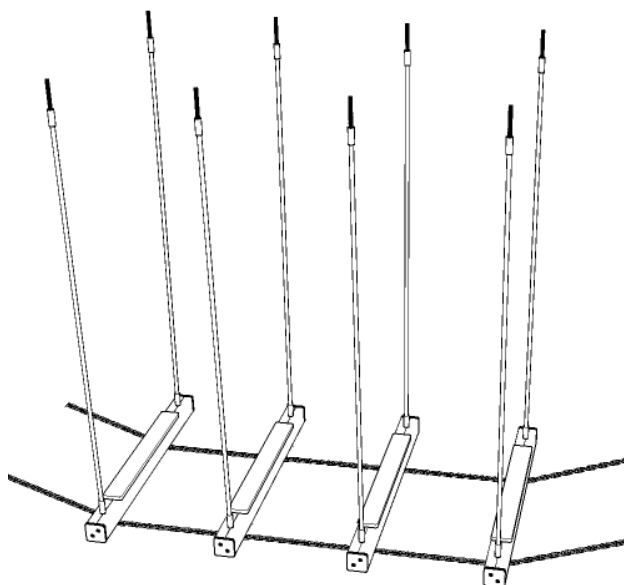


X2 (PRE-ASSEMBLED TOP SECTION)

LW1 QTY x 4
(120mm x 90mm)



X2 (PRE-ASSEMBLED STEP SECTION)



X1 (PRE-ASSEMBLED LOG SECTION)



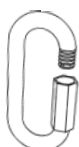
X4 (M12 x 220 square hex bolt)



X20 (FM80 'BRASS SCREW')



X4 (EYEBOLT x 130)



X4 (QUICKLINK)



X16 (end caps)

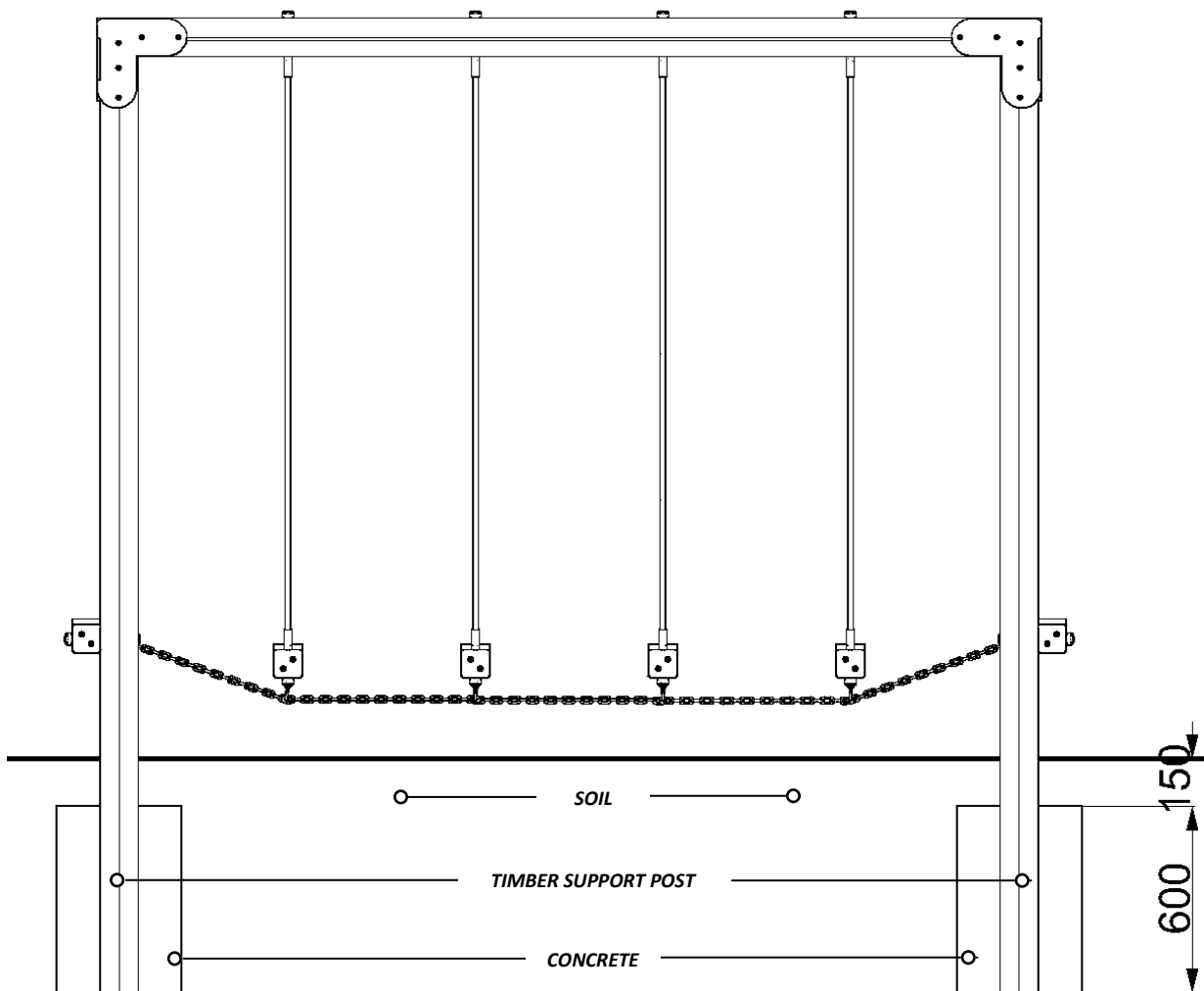
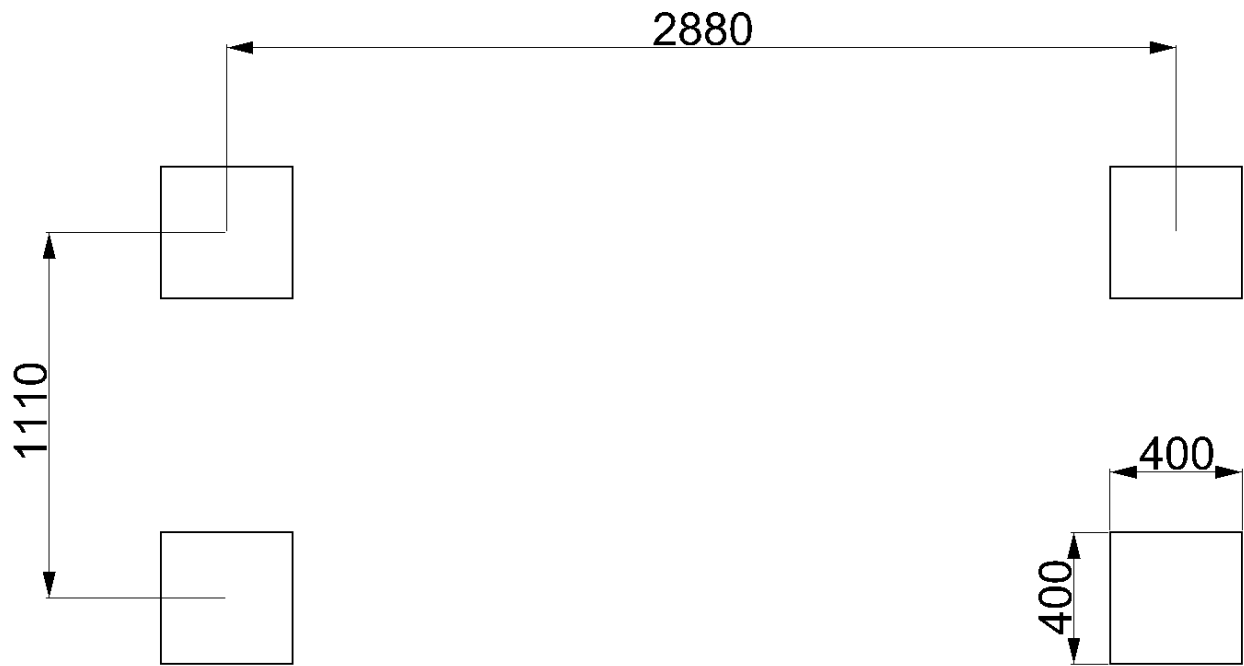


X16 (M12 NYLOC)

TOOLS required

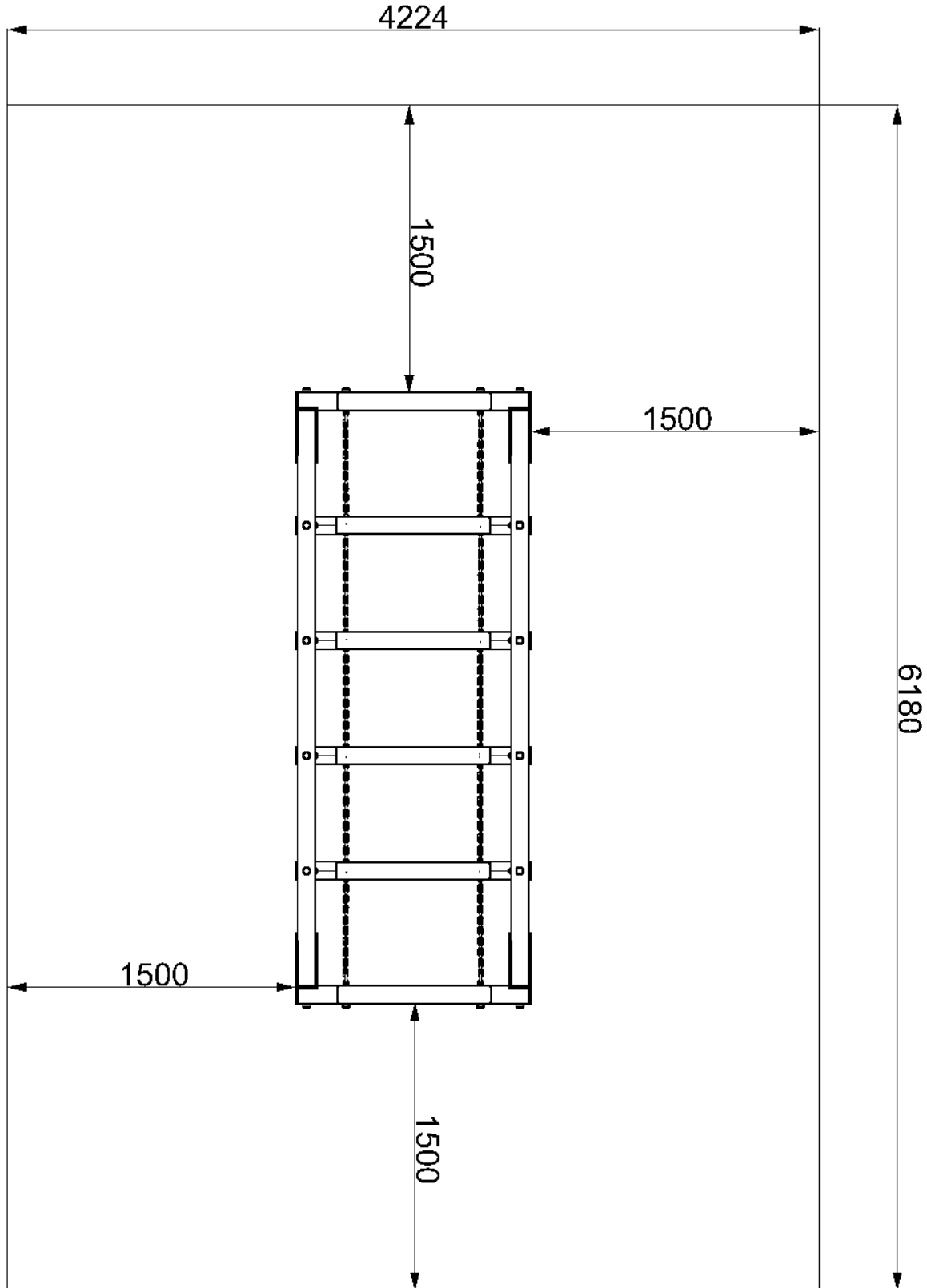


Foundation details



Surfacing details

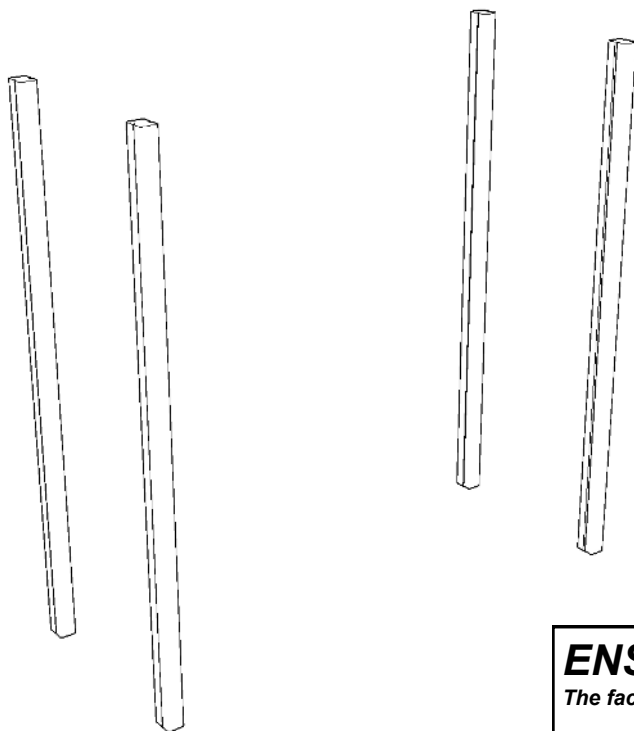
- - - - - = MINIMUM SPACE
———— = SURFACING AREA



Assembly instructions

1

Install the timbers (SW1)



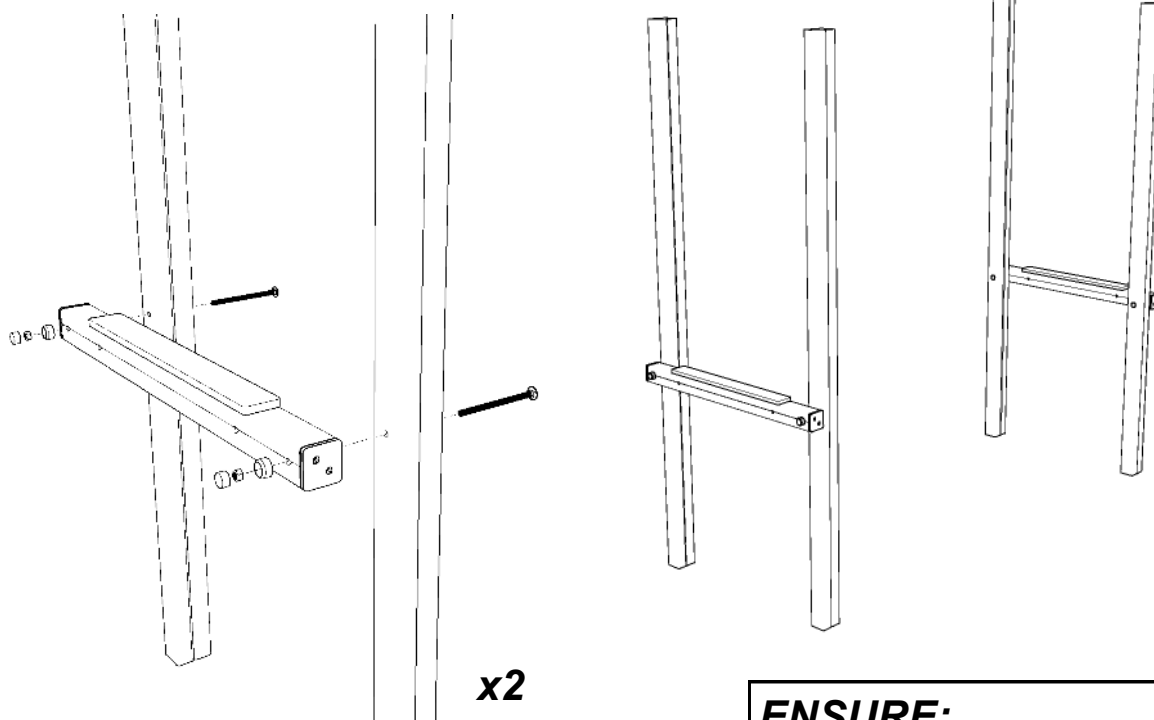
ENSURE:

The faces are in the correct direction

2

Attach the **PRE-ASSEMBLED STEP SECTIONS**

using M12 CUP SQUARE BOLTS / NYLOCS / END CAPS



ENSURE:

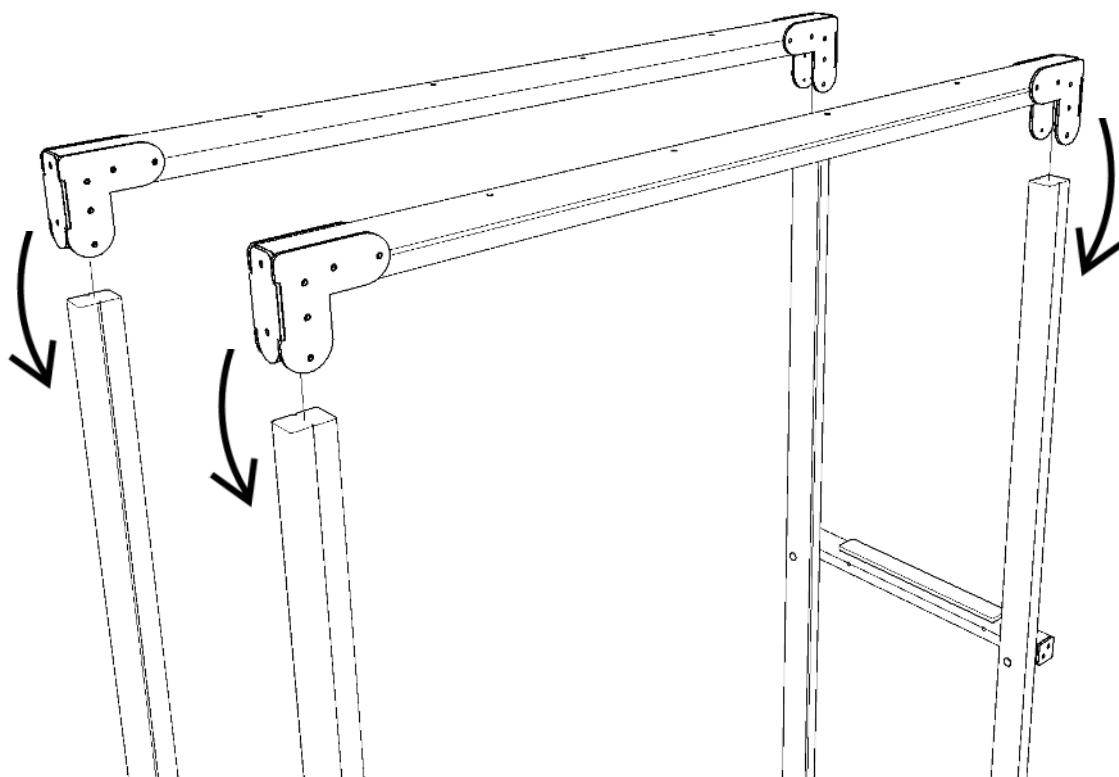
The faces are in the correct direction

Assembly instructions

3

Attach the PRE-ASSEMBLED TOP SECTIONS

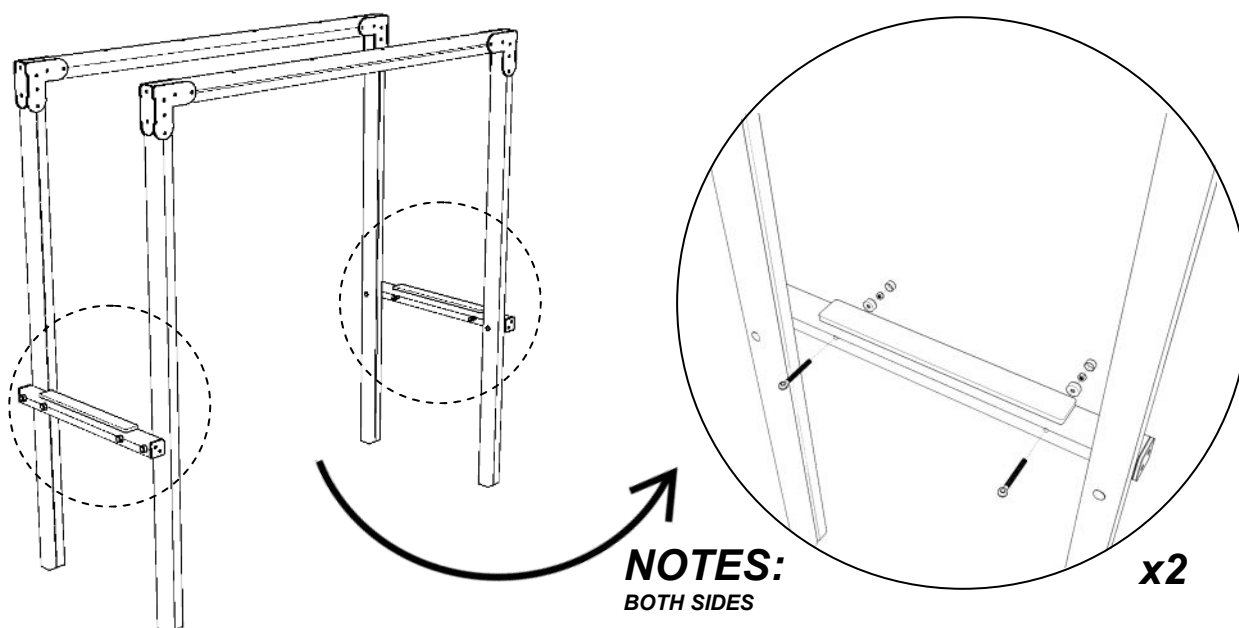
Using FM80 BRASS CREWS



4

Attach the Eyebolt to the Timber (LW3)

Using NYLOCKS / END CAPS

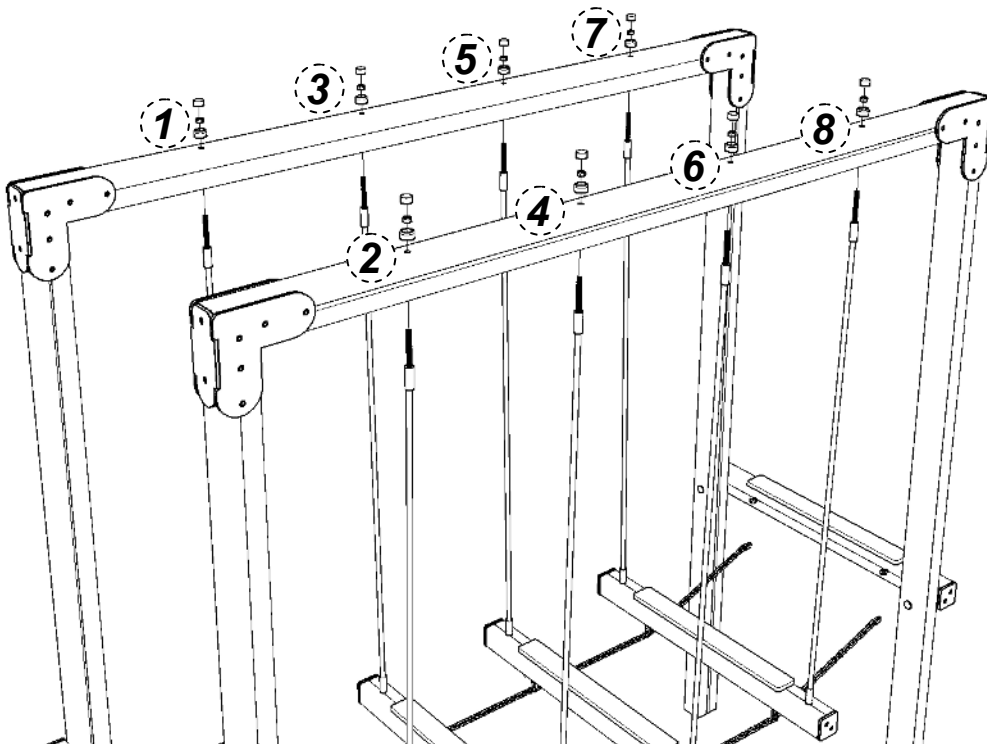


Assembly instructions

5

Attach the TYRES to the Timbers (LW2)

Using NYLOCKS / END CAPS



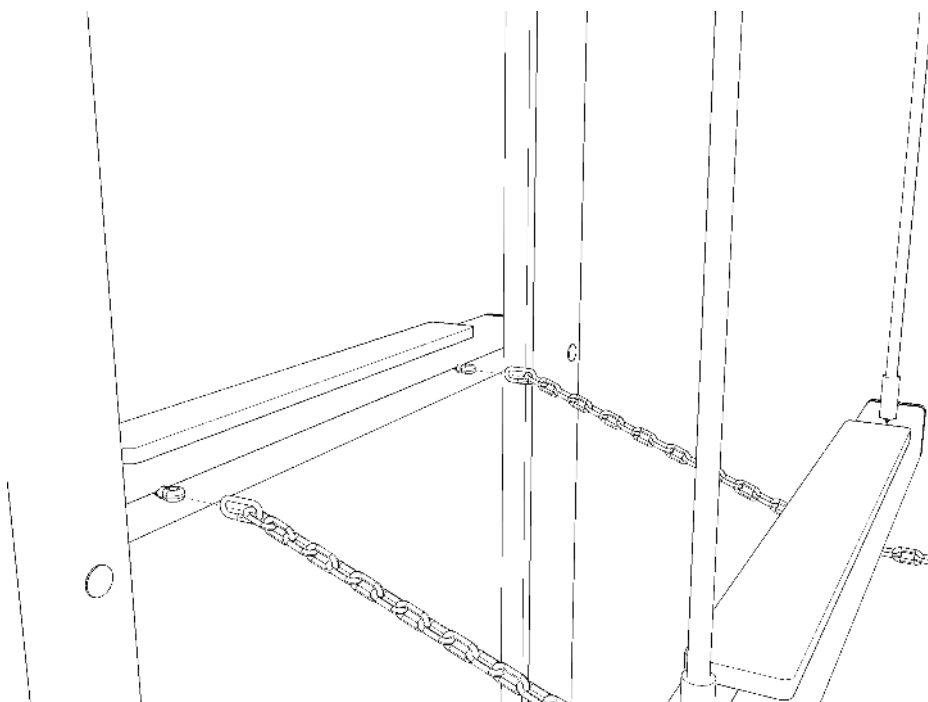
ENSURE:
ATTACH FOLLOWING
SEQUENCE:

1-2 / 3-4 / 5-6 / 7-8

6

Attach the QUICKLINK to the CHAIN

Use LOCK TIGHT to ensure the quick link remains CLOSED



NOTES:
BOTH SIDES

Additional dimensions

