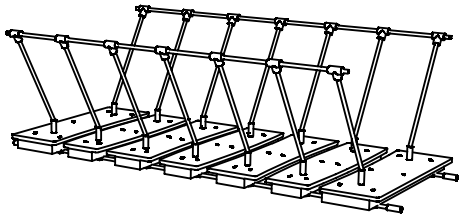
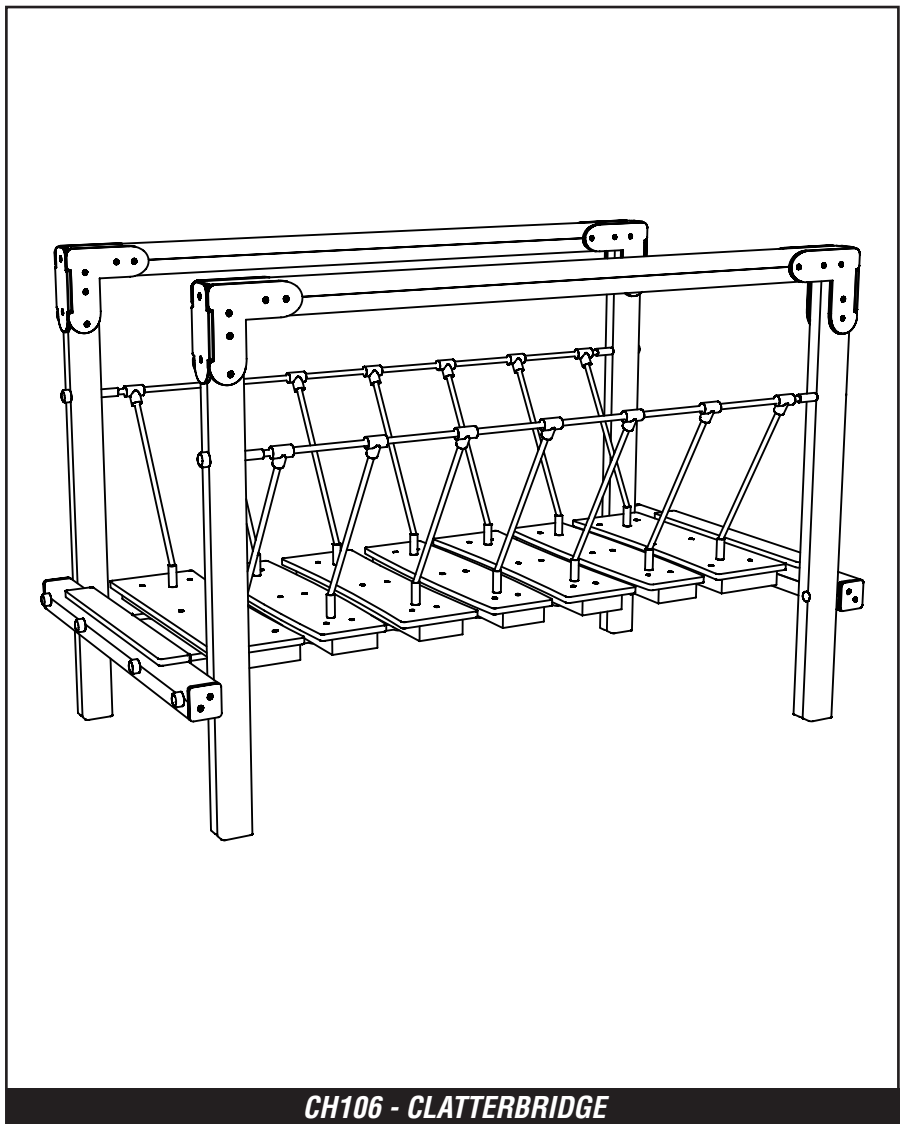


CH106 - CLATTERBRIDGE

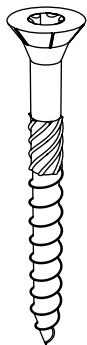
Installation Instructions



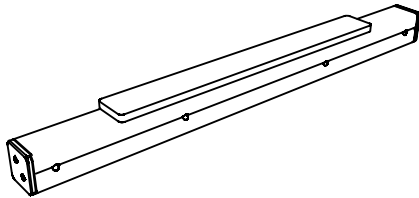
x1
ROPE BRIDGE ASSEMBLY



ASSEMBLED INC L'S **x2**
CH106-A



x20
97.M8X80CSK

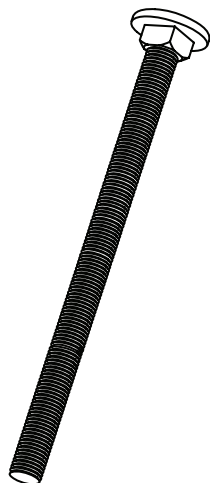


ASSEMBLED INC SLAT & CAPS **x2**
CH106-C



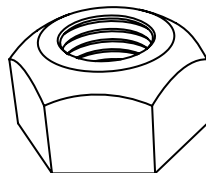
x4
CH106-B

PARTS REQUIRED



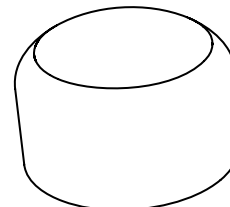
x4

274.M12X200



x12

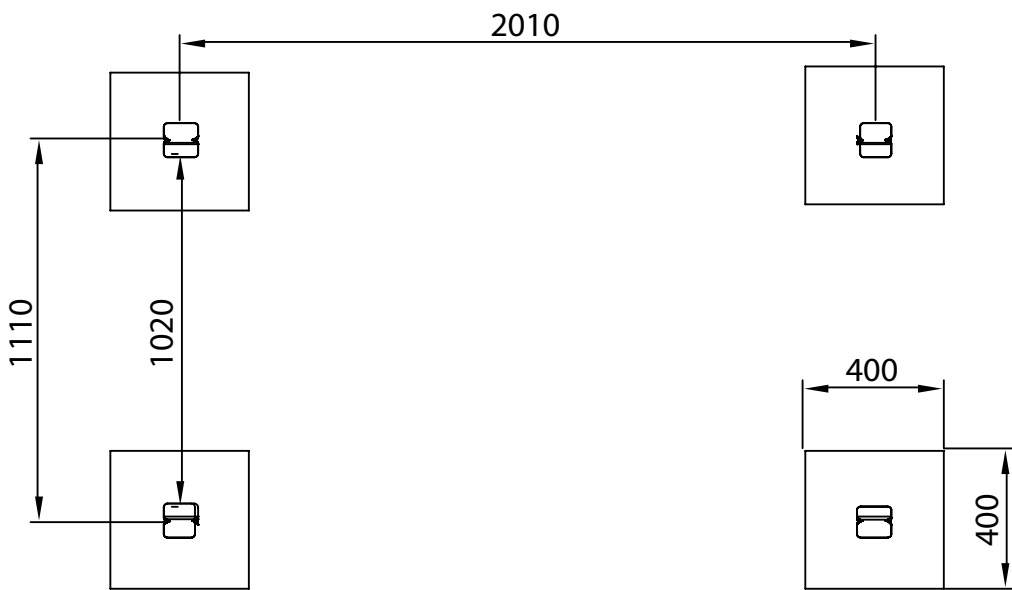
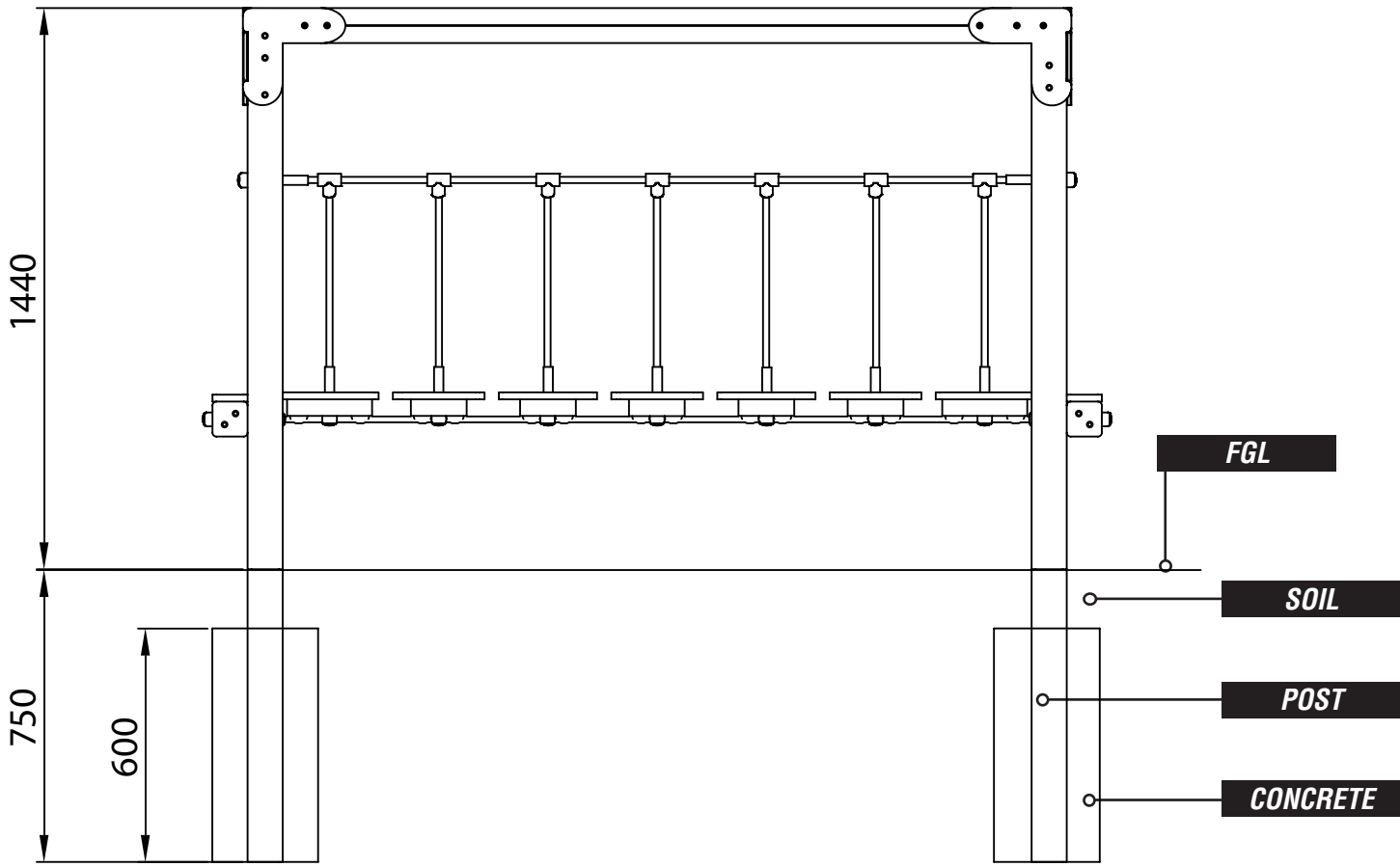
656.M12



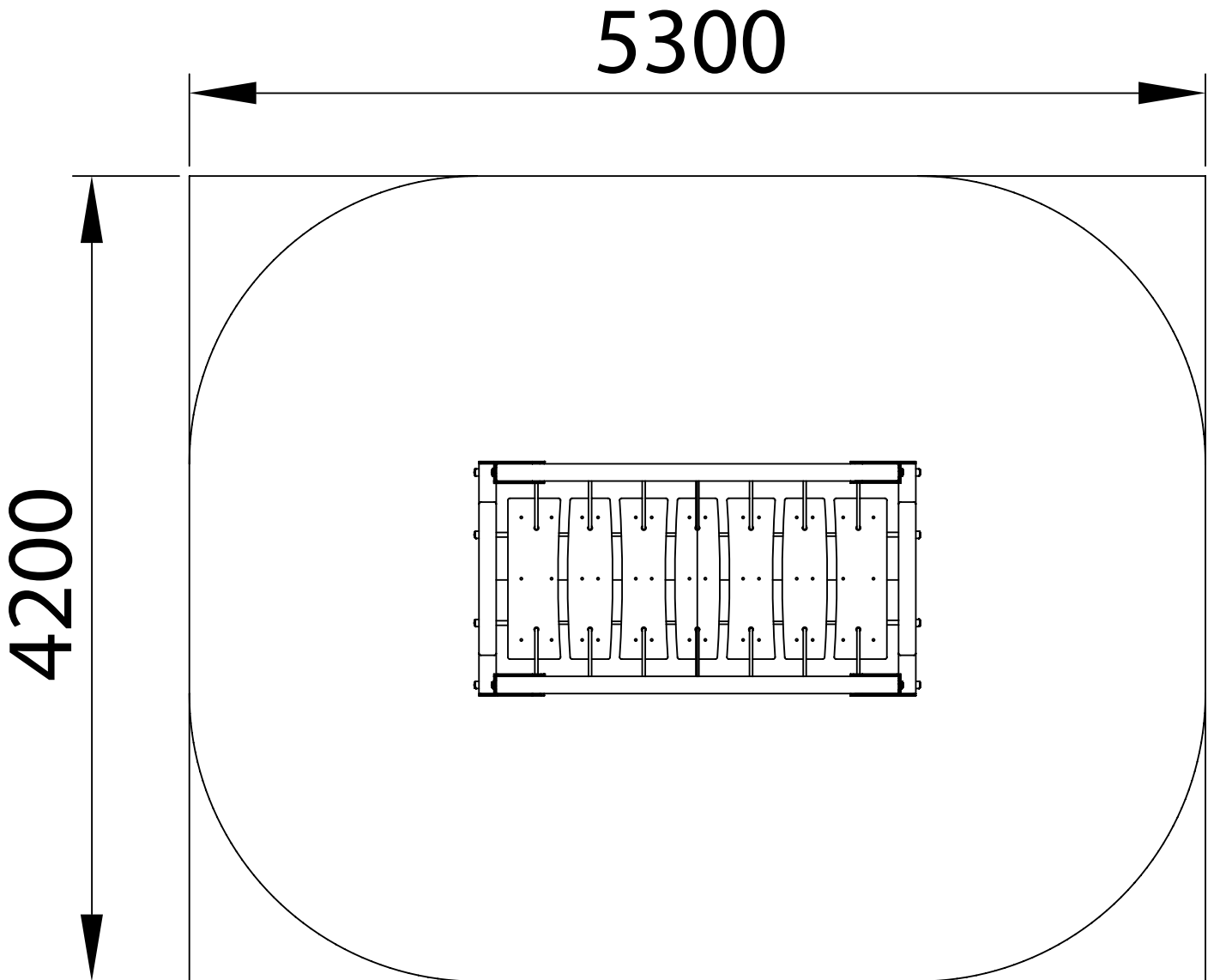
x12

102003-01 - M12

FOUNDATION DETAILS



SURFACING DETAILS

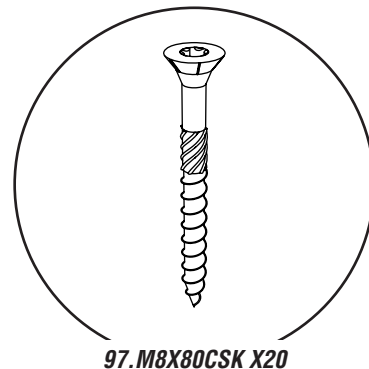
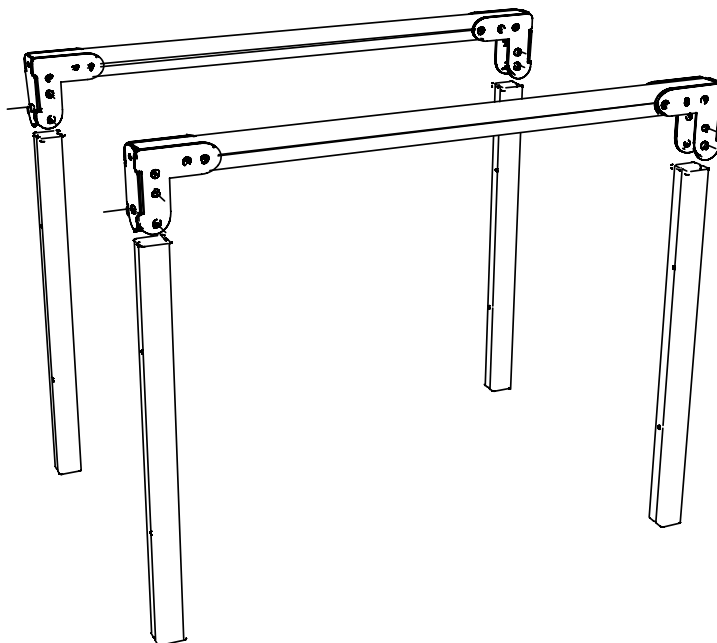


INSTALLATION INSTRUCTIONS

1

ATTACH THE UPRIGHT TIMBERS TO THE ASSEMBLED L TIMBERS

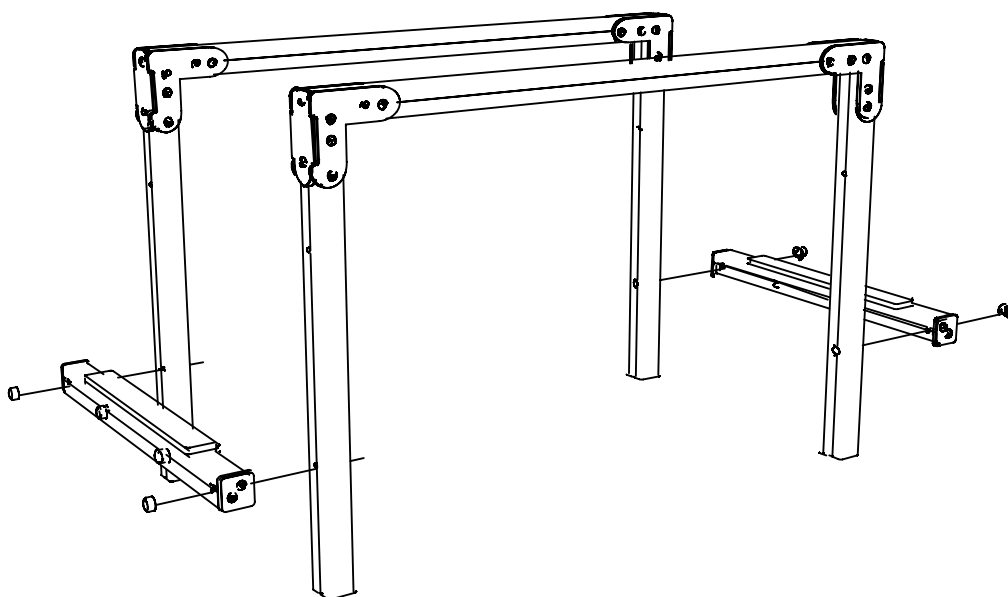
USING - CH106-A X2 / CH106-B X4 / 97.M8X80CSK X20



2

ATTATCH CH106-C TO THE TIMBERS

USING CH106-C X2 / 274.M12X230 X4 / 656.M12 X4 / 102003-01-M12 X4

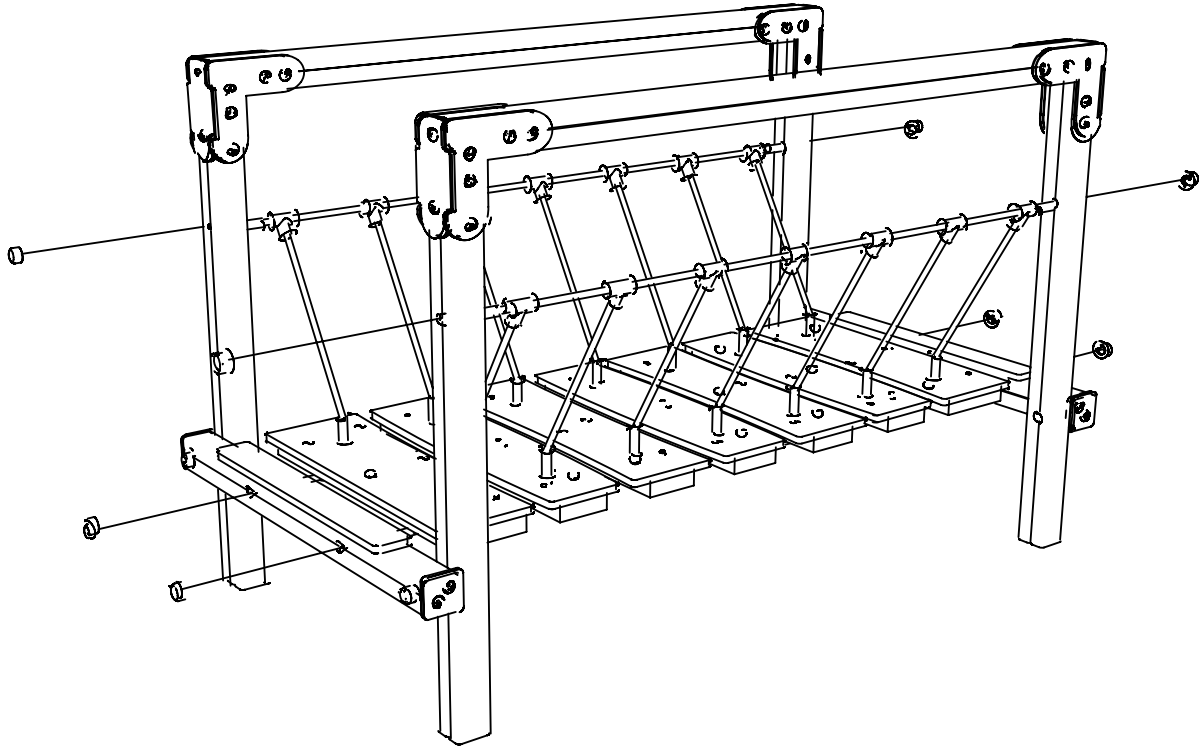


INSTALLATION INSTRUCTIONS

3

ATTATCH ROPE BRIDGE ASSEMBLY TO TIMBER FRAME

USING ROPE BRIDGE ASSEMBLY X1 / 656.M12 X8 / 102003-01-M12 X8



ADDITIONAL DIMENSIONS
