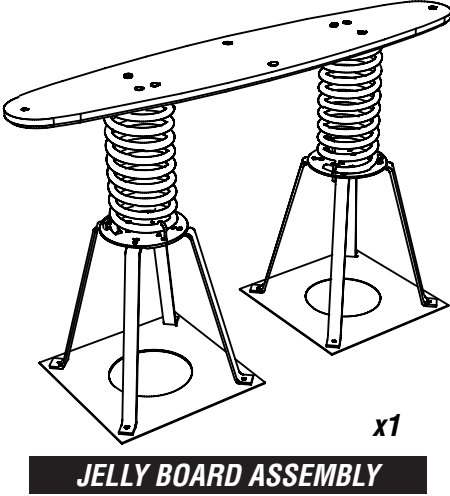
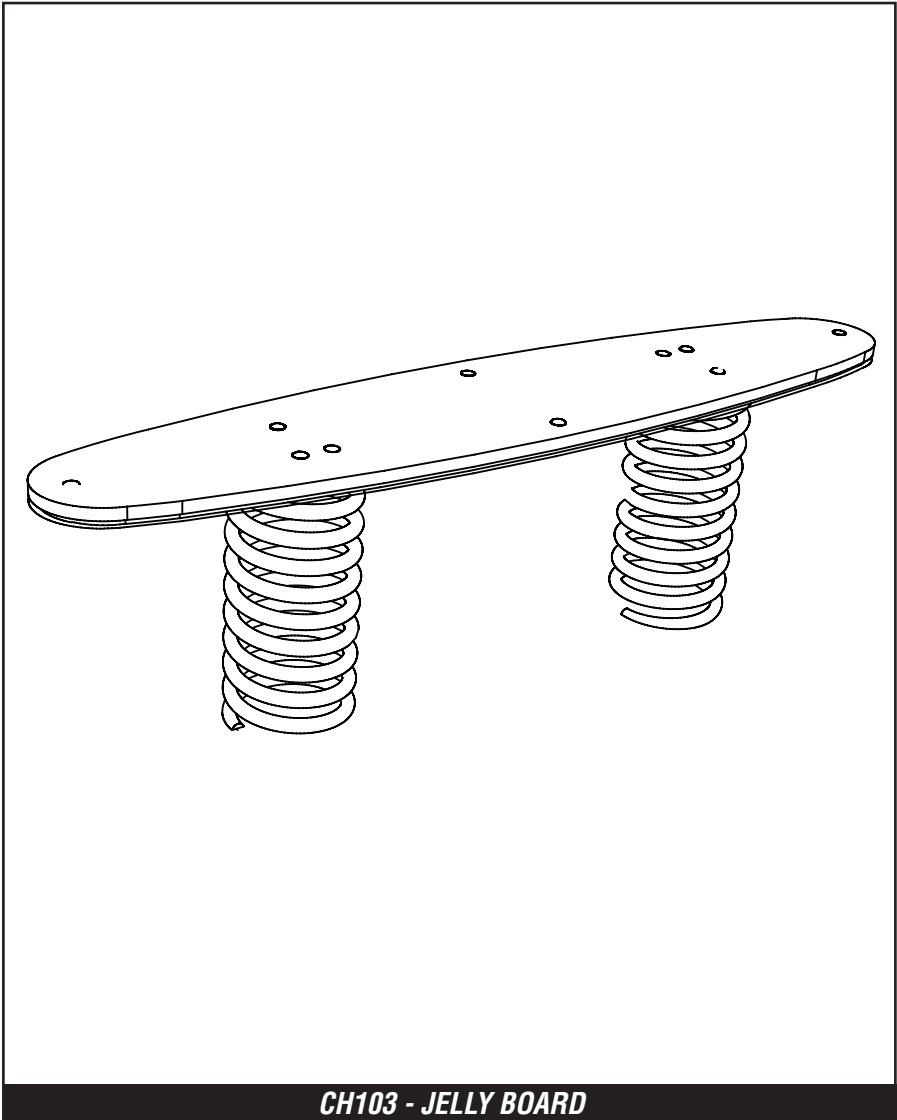
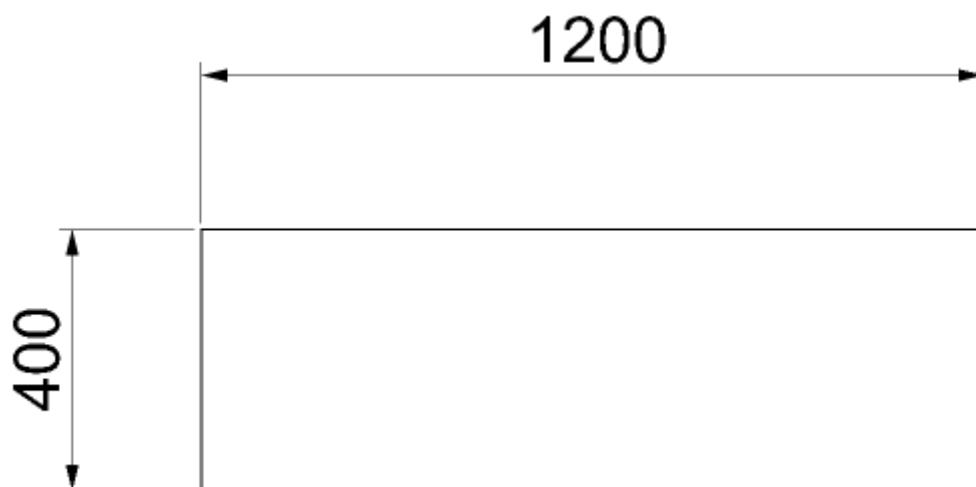
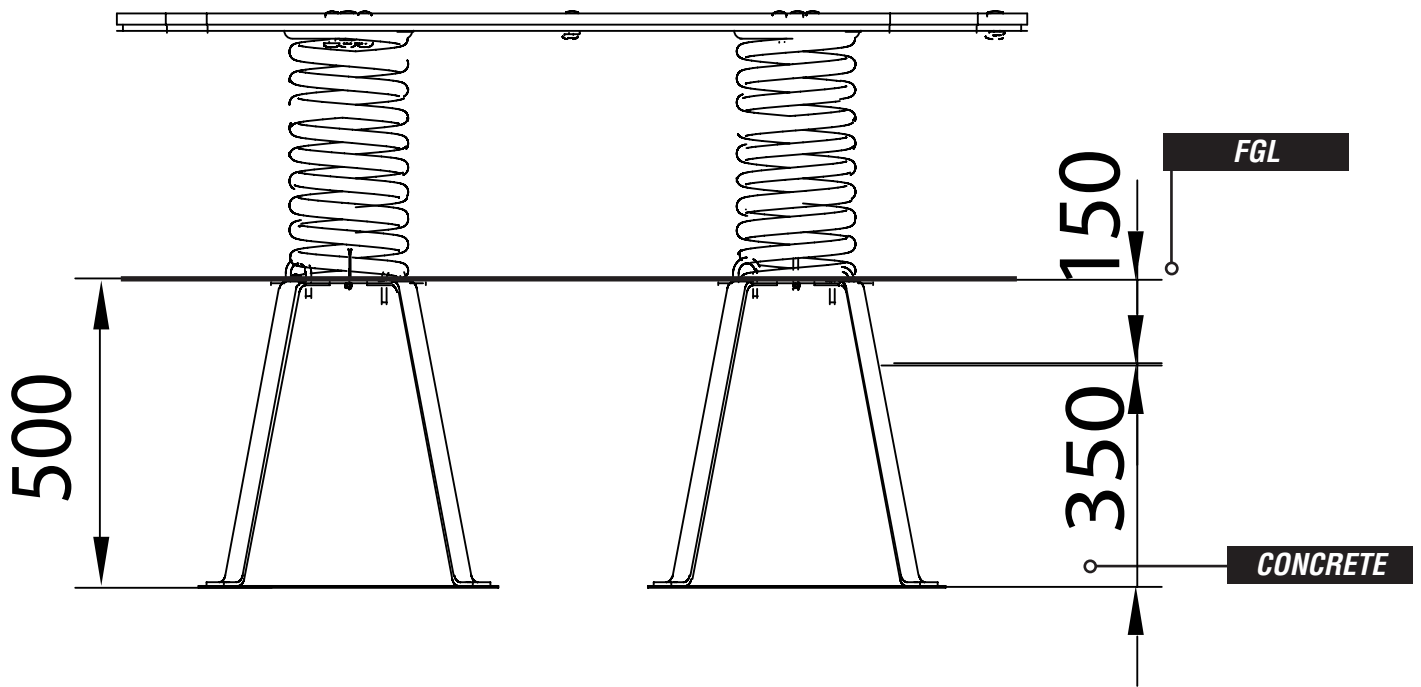


# CH103 - JELLY BOARD

## Installation Instructions

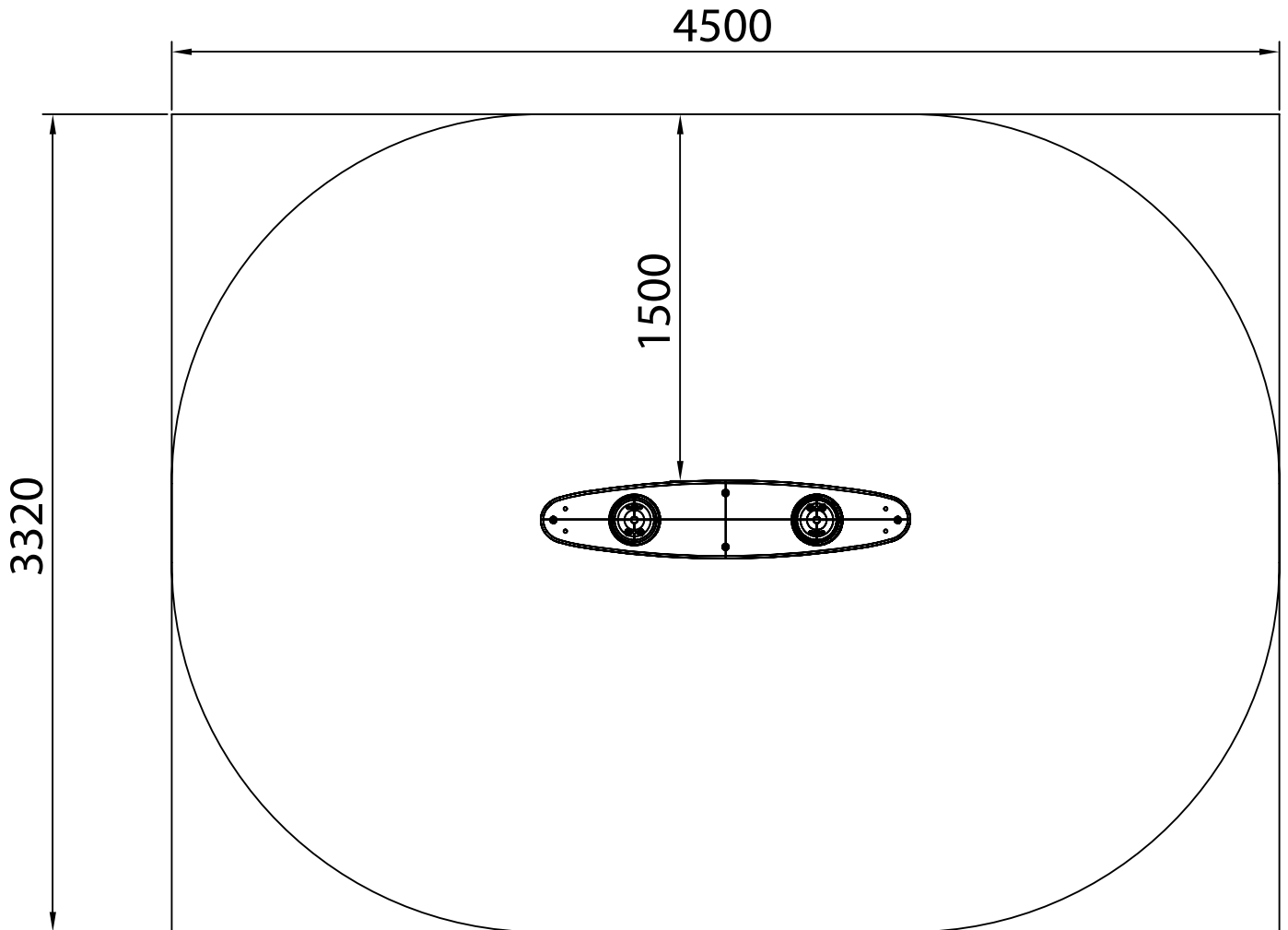


# FOUNDATION DETAILS



# ***SURFACING DETAILS***

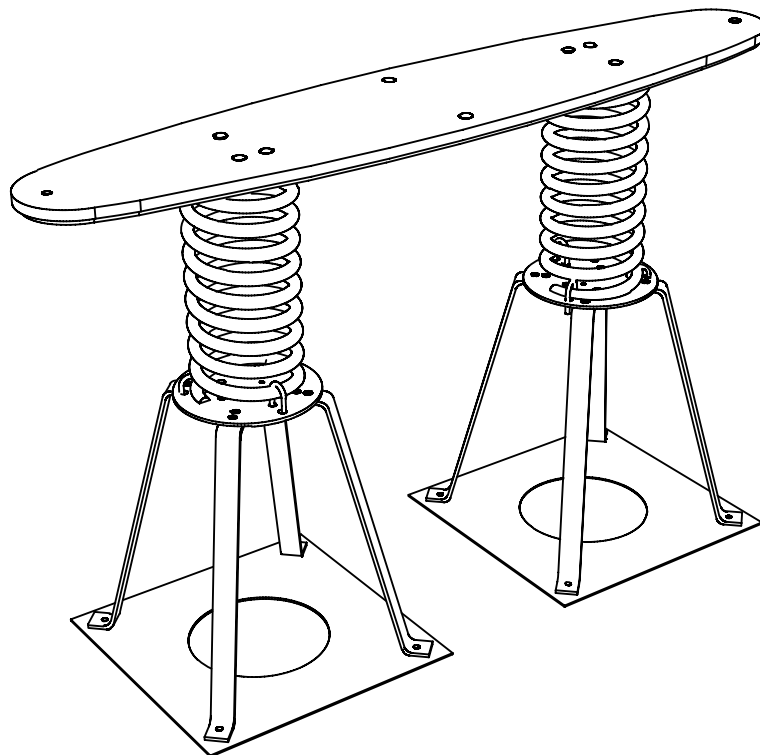
---



# INSTALLATION INSTRUCTIONS

---

## **1** INSTALL JELLY BOARD SPRINGS INTO GROUND USING - PRE-ASSEMBLED JELLY BOARD



# ***ADDITIONAL DIMENSIONS***

---

