

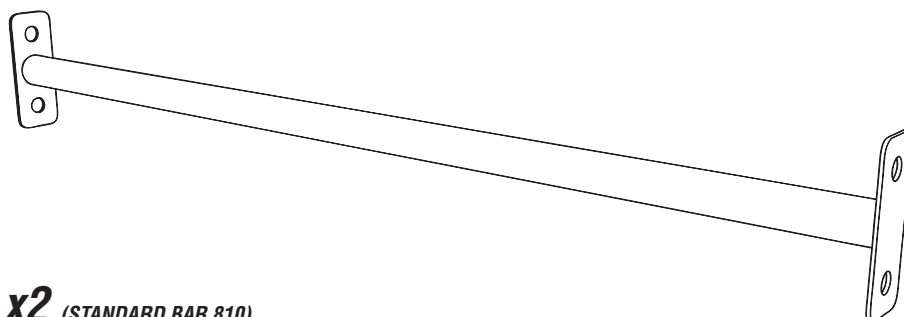
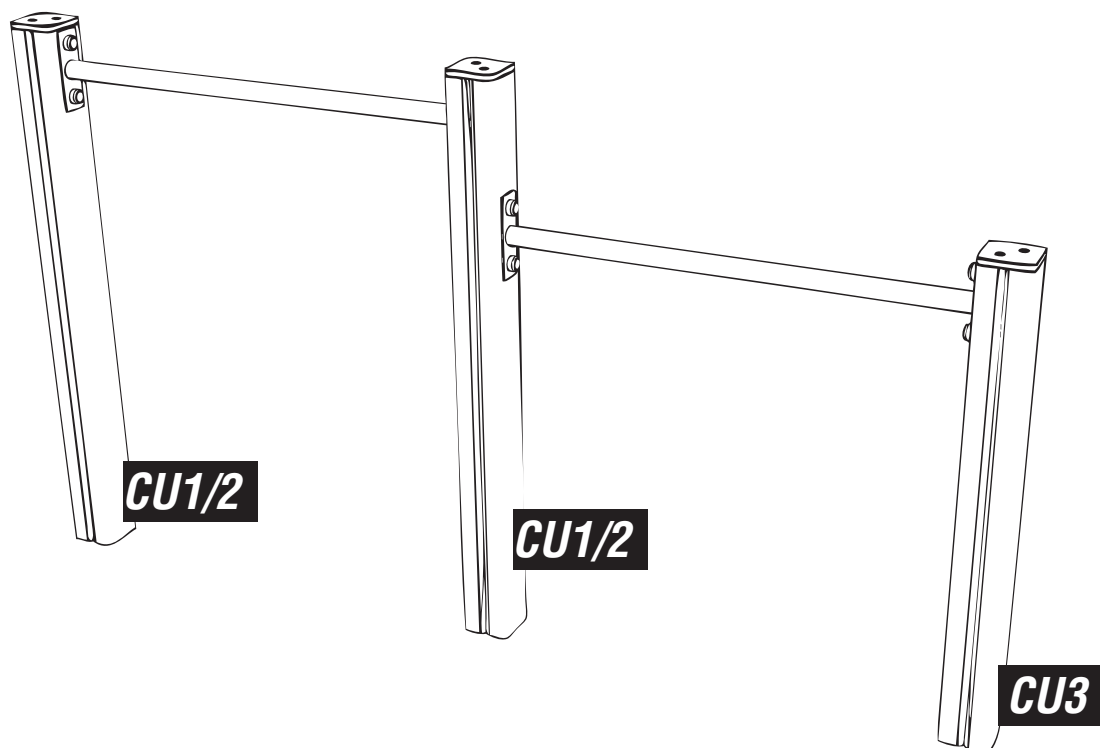
# **CHIN UP BARS**

## *Installation Instructions*



# PARTS required

---



**x2** (STANDARD BAR 810)



**x8** (BLUE End Caps)



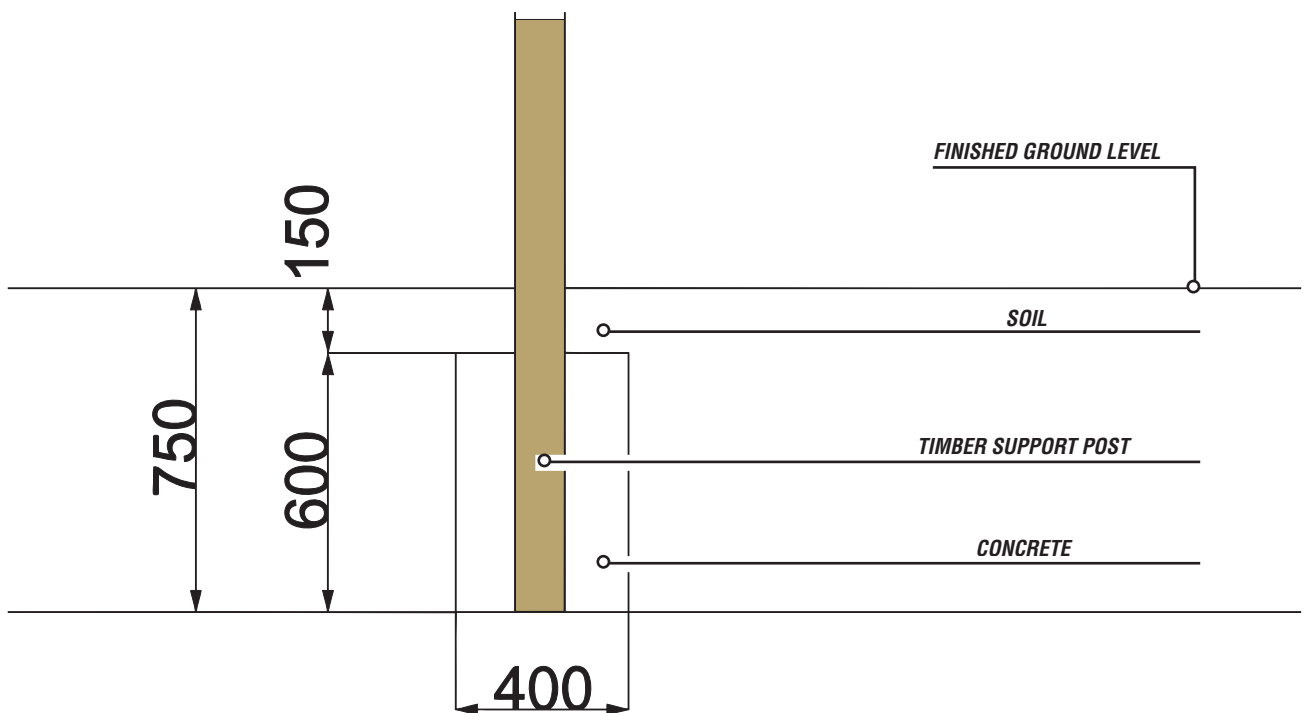
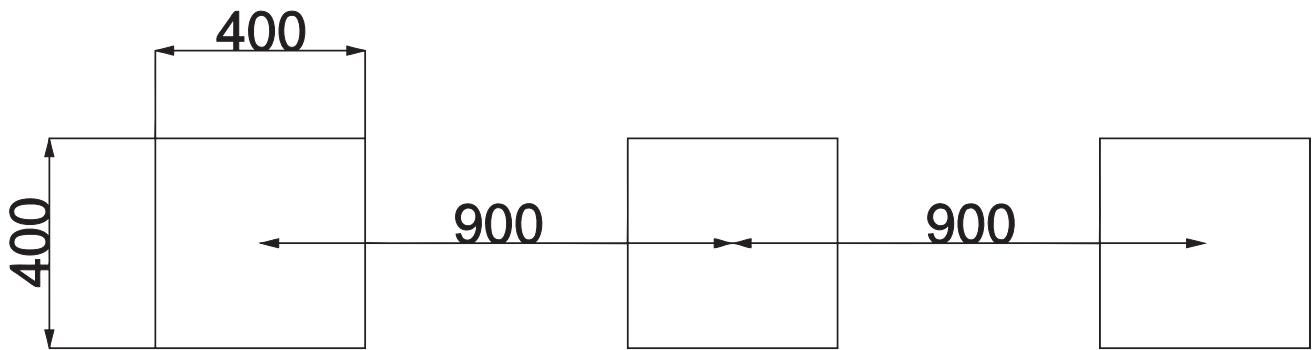
**x8** (FM80 'Brass screws')

# ***TOOLS required***

---



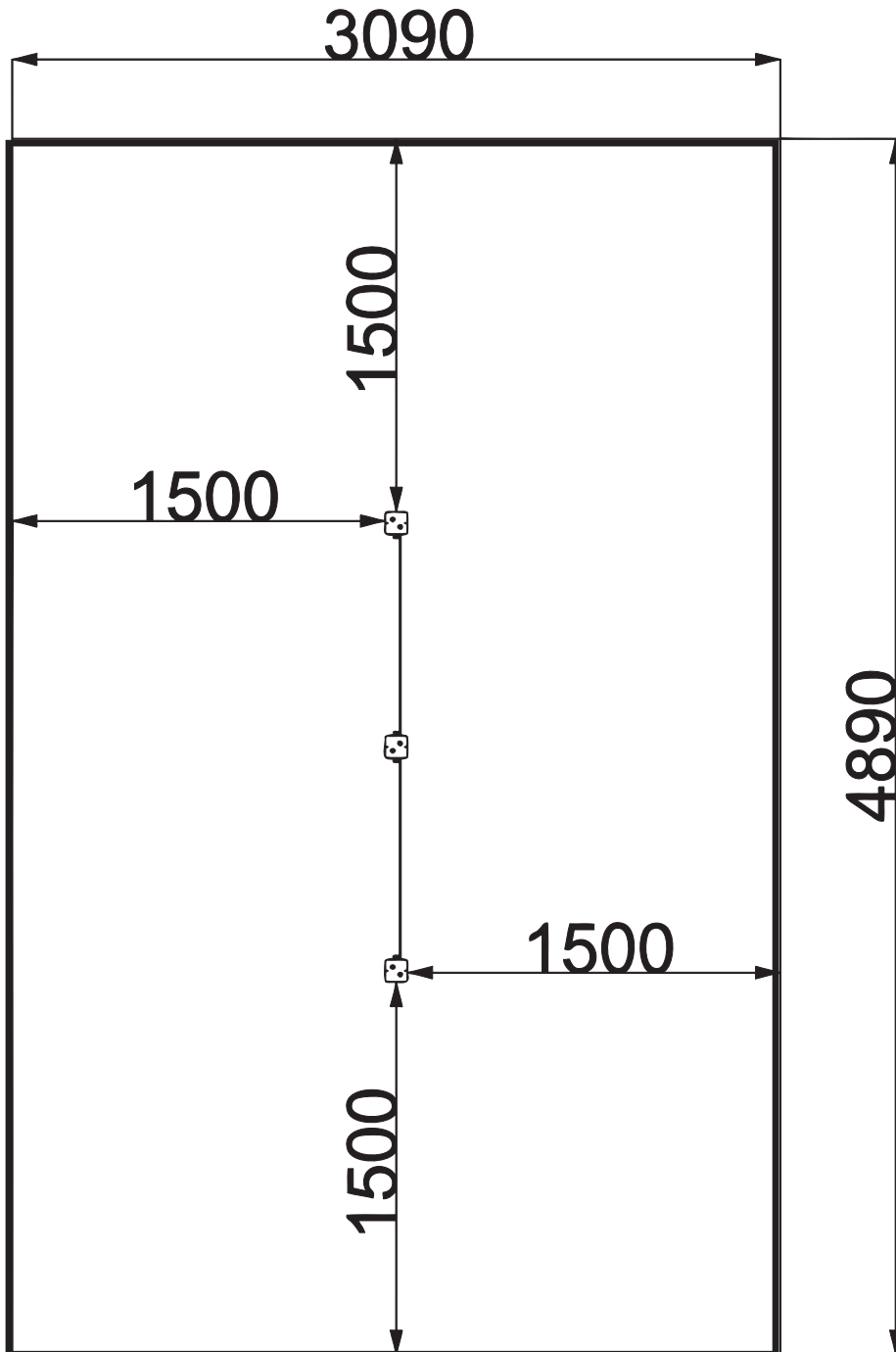
# Foundation Details



# Surfacing Details

---

- - - - - = **MINIMUM SPACE**
- = **SURFACE AREA**

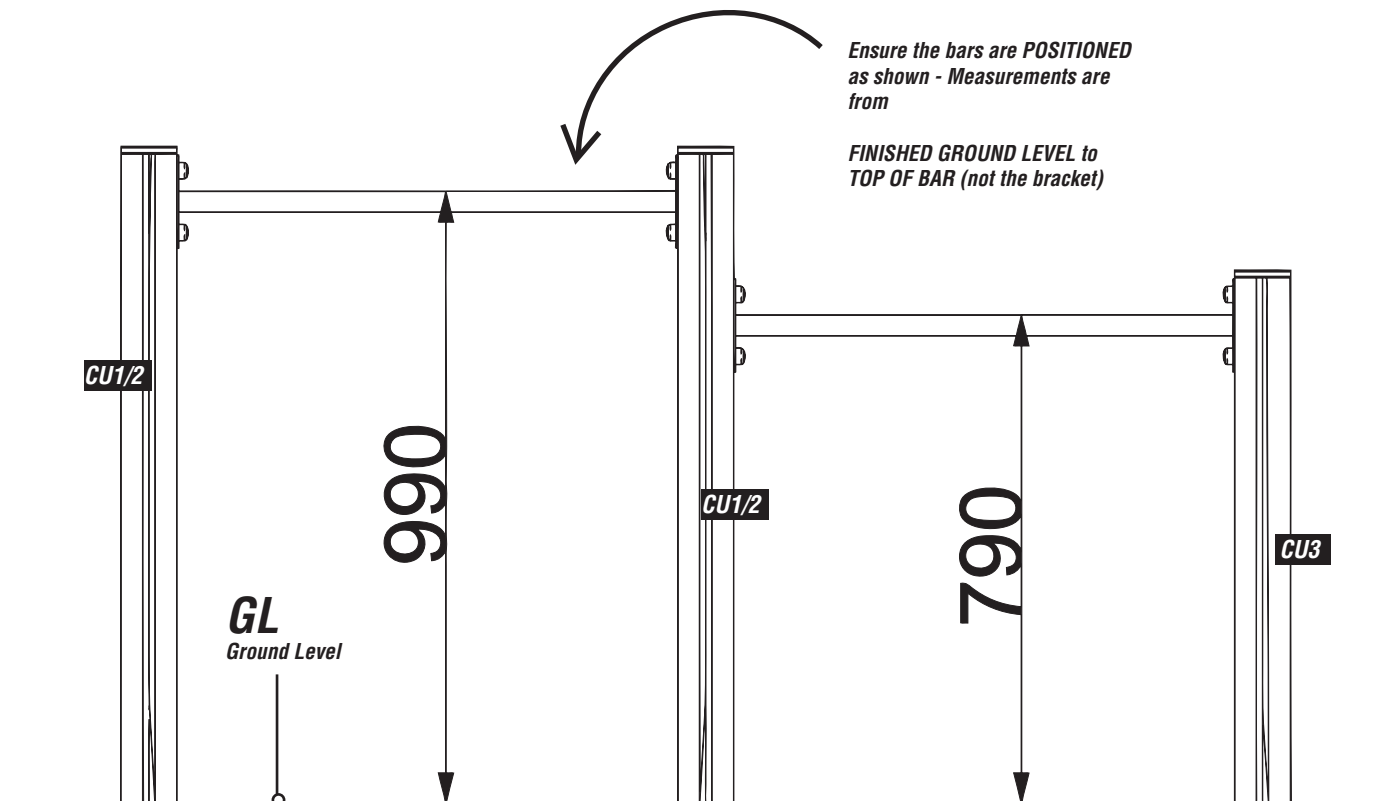
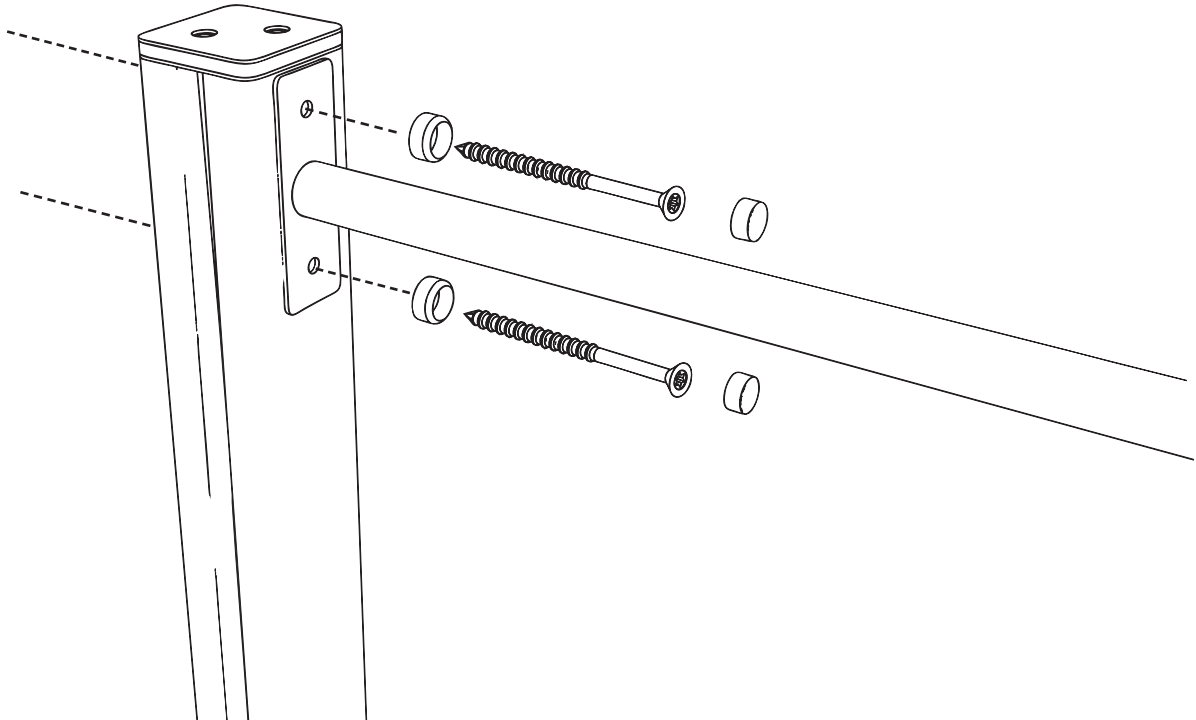


# Assembly Instructions

**1**

## Attach the STANDARD BAR 810 to the timbers

Using FM80 'BRASS SCREWS' and BLUE END CAPS



# Additional Drawings

---

