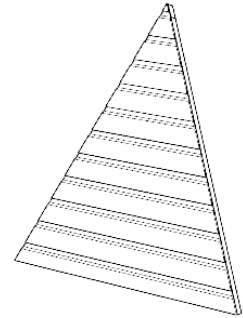
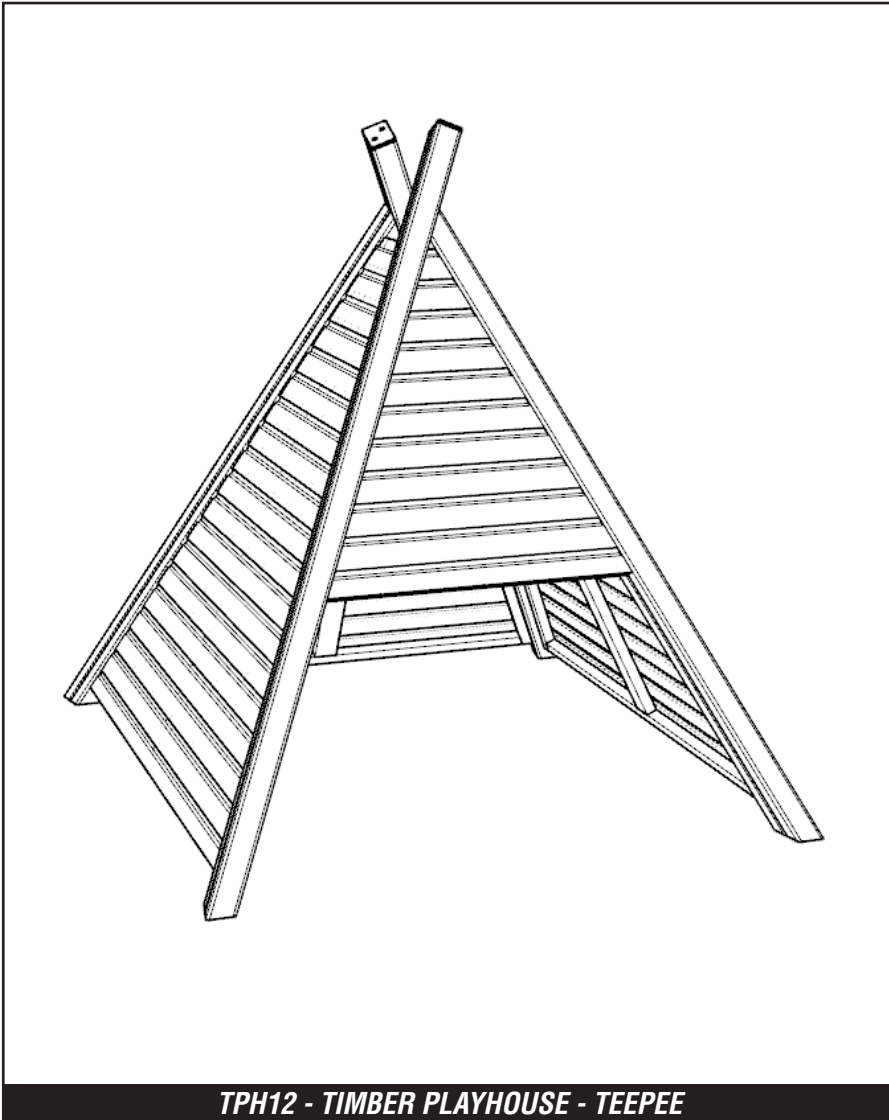


# TPH12 - TEEPEE

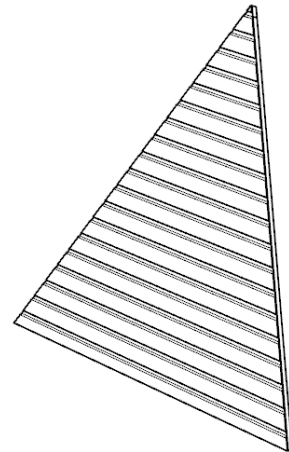
## Installation Instructions

creative  
play



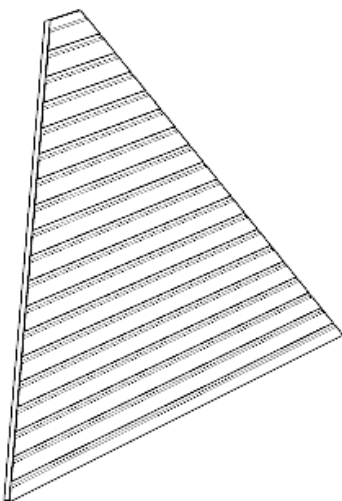
x1

**FRONT PANEL ASSEMBLY**



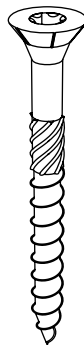
x1

**BACK PANEL ASSEMBLY**



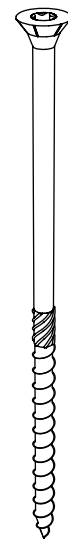
x2

**SIDE PANEL ASSEMBLIES**



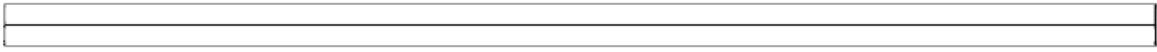
x42

**97.M8X80CSK**



x4

**97.M8X180CSK**



*x2*

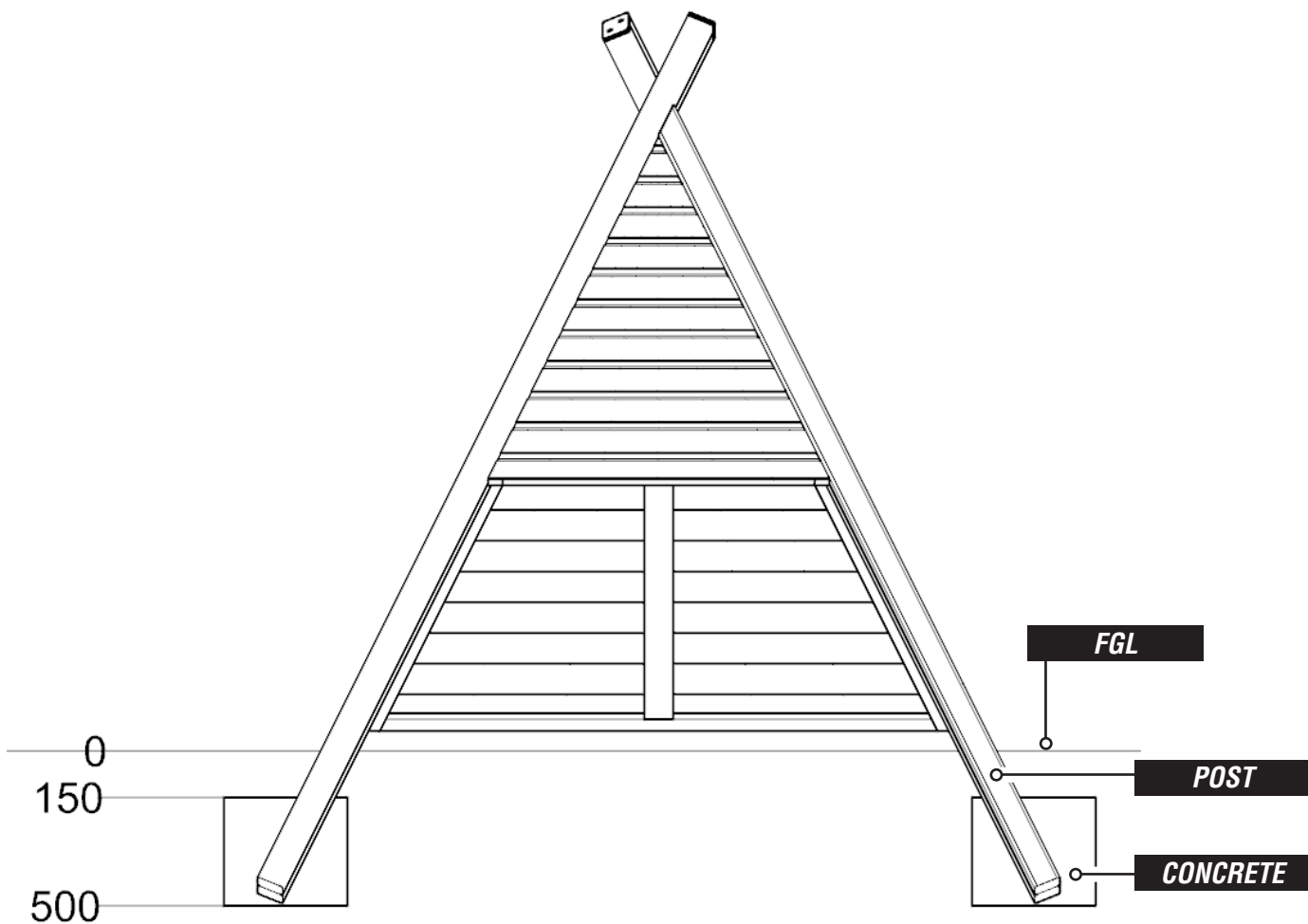
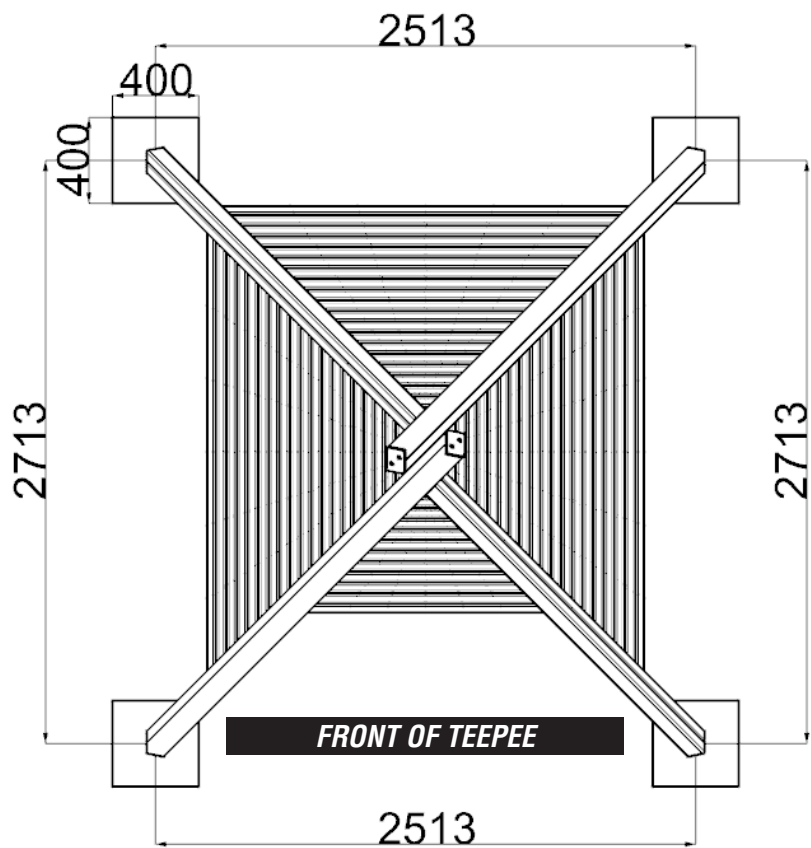
***TPHa TIMBERS***



*x2*

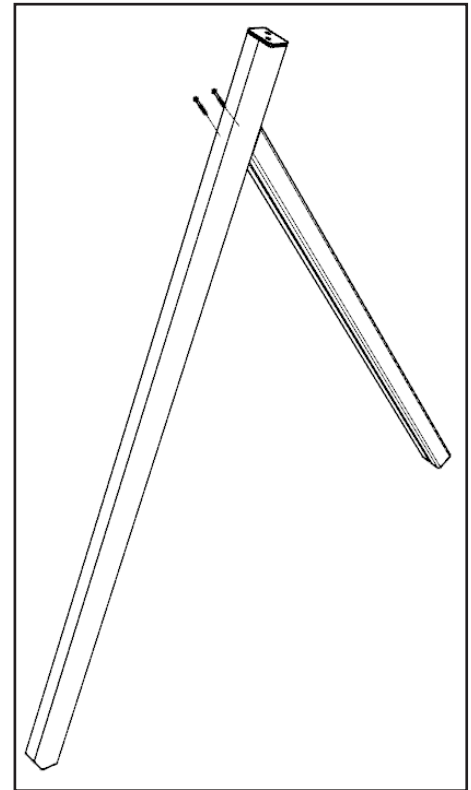
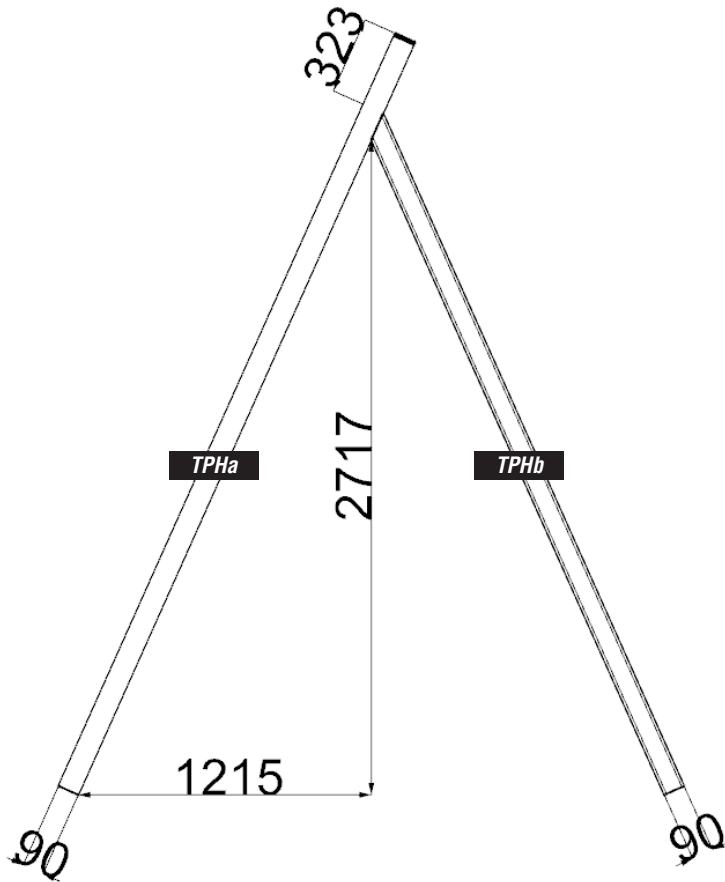
***TPHb TIMBERS***

# FOUNDATIONS

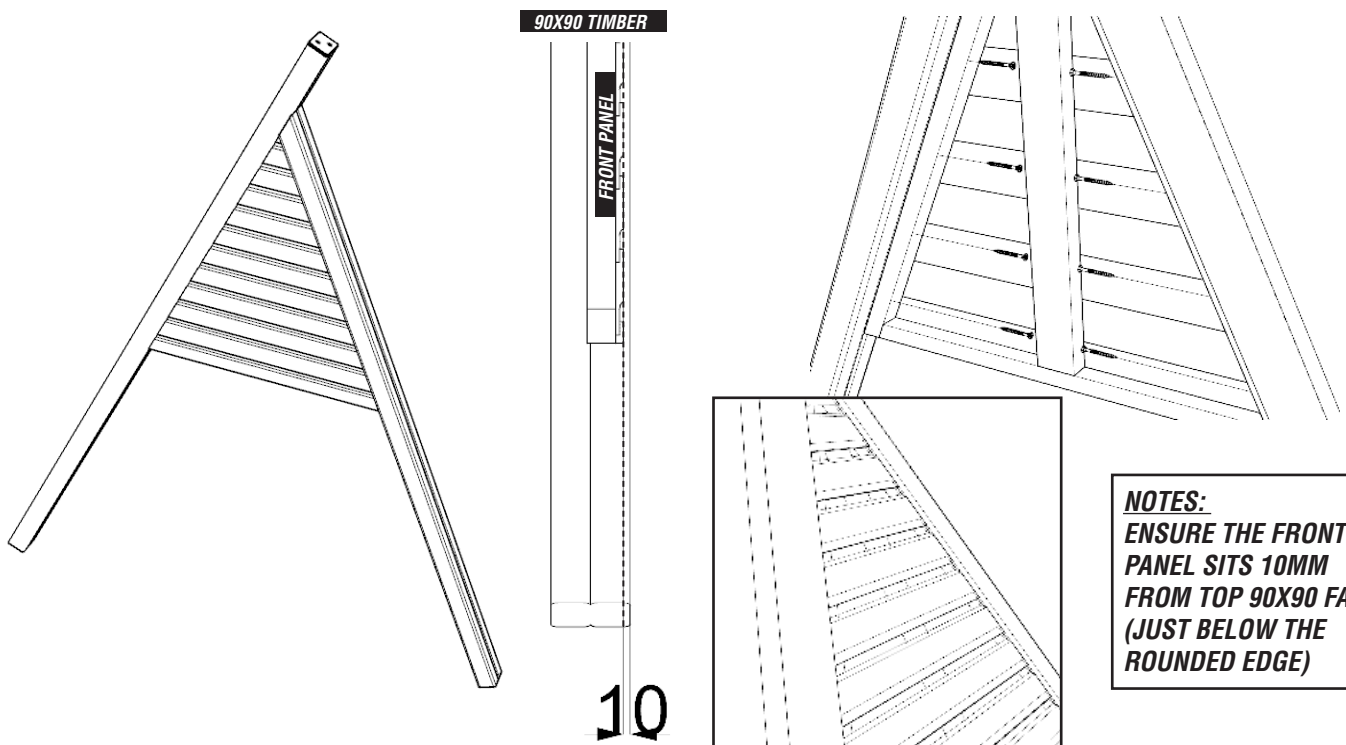


# INSTALLATION INSTRUCTIONS

**1** PRE-ASSEMBLE TPHa & TPHb TIMBERS AT DIMENSIONS SHOWN  
USING 2 X M8X180MM WOOD SCREWS, CREATE 2 IDENTICAL ASSEMBLIES



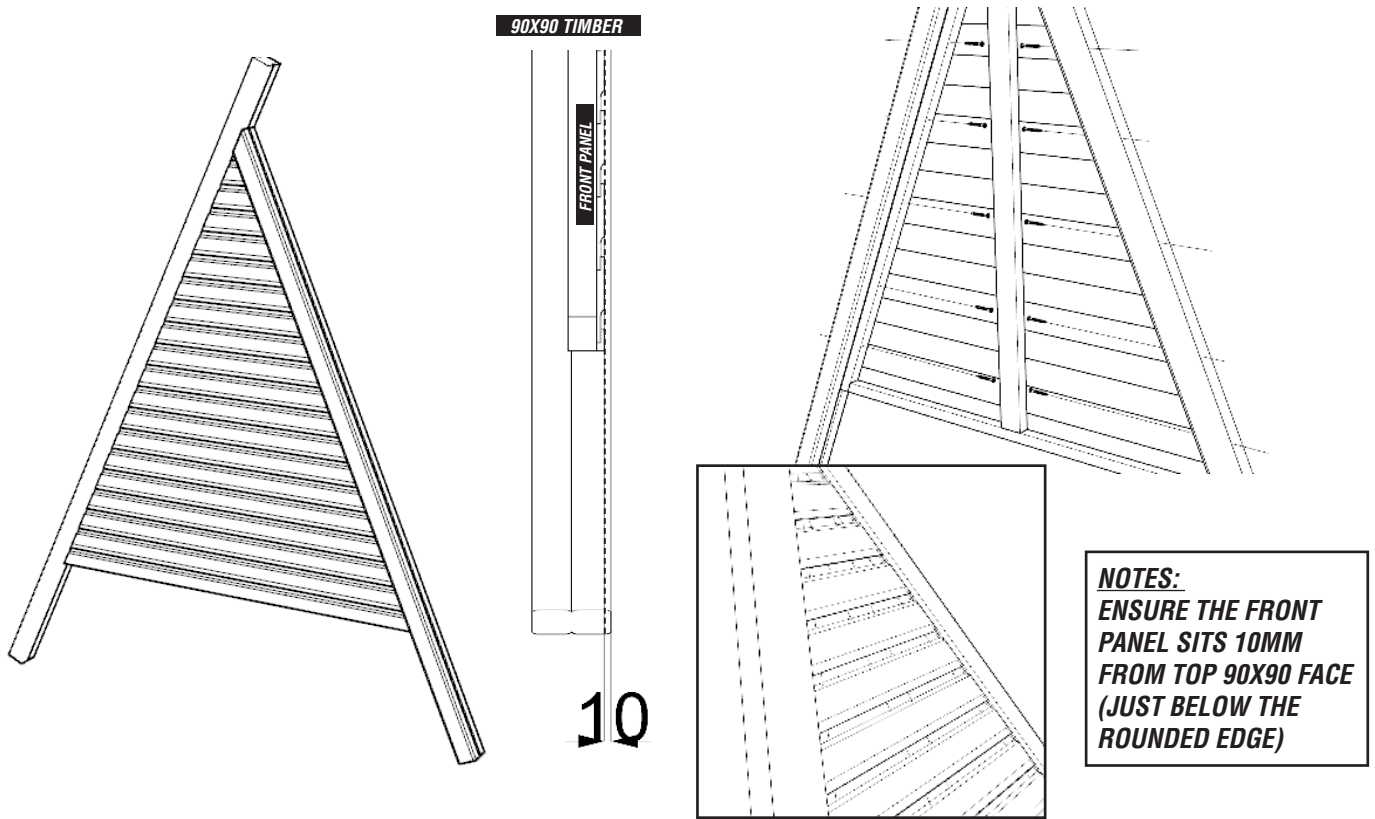
**2** ATTACH FRONT PANEL TO 120X90 TIMBER PRE-ASSEMBLY  
USING 8 X M8X80MM WOOD SCREWS, ENSURE IT IS SECURED IN LOCATION SHOWN BELOW



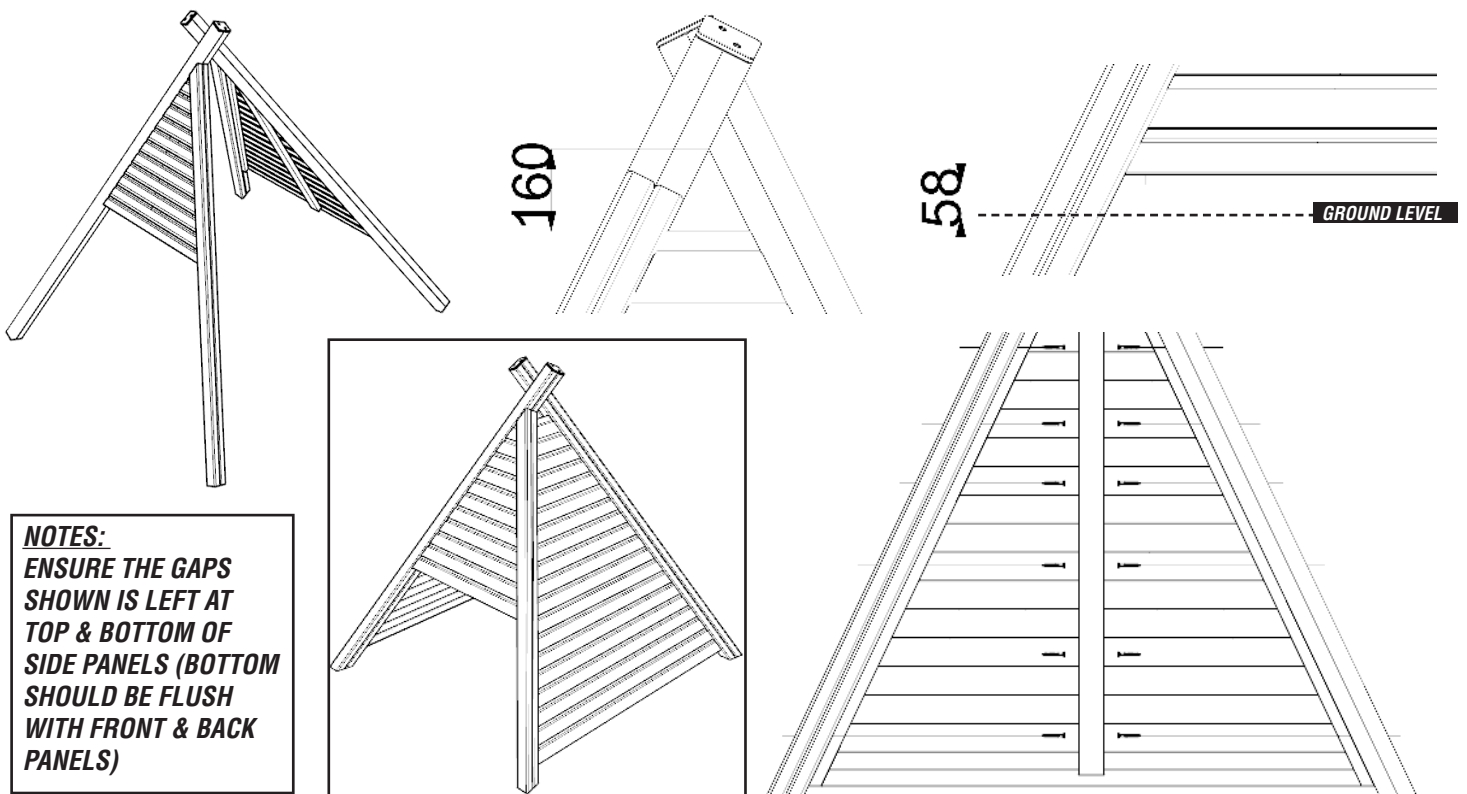
**NOTES:**  
ENSURE THE FRONT  
PANEL SITS 10MM  
FROM TOP 90X90 FACE  
(JUST BELOW THE  
ROUNDED EDGE)

# INSTALLATION INSTRUCTIONS

**3** ATTACH BACK PANEL TO REMAINING 90X90 TIMBER PRE-ASSEMBLY USING 10 X M8X80MM WOOD SCREWS, ENSURE IT IS SECURED IN LOCATION SHOWN BELOW



**4** POSITION/ PROP TIMBERS TOGETHER AS SHOWN TO ATTACH SIDE PANELS SEE GROUNDPLAN, ATTACH SIDE PANELS USING 12X M8X80MM WOOD SCREWS PER PANEL (6 PER SIDE)



# ADDITIONAL DIMENSIONS

---

