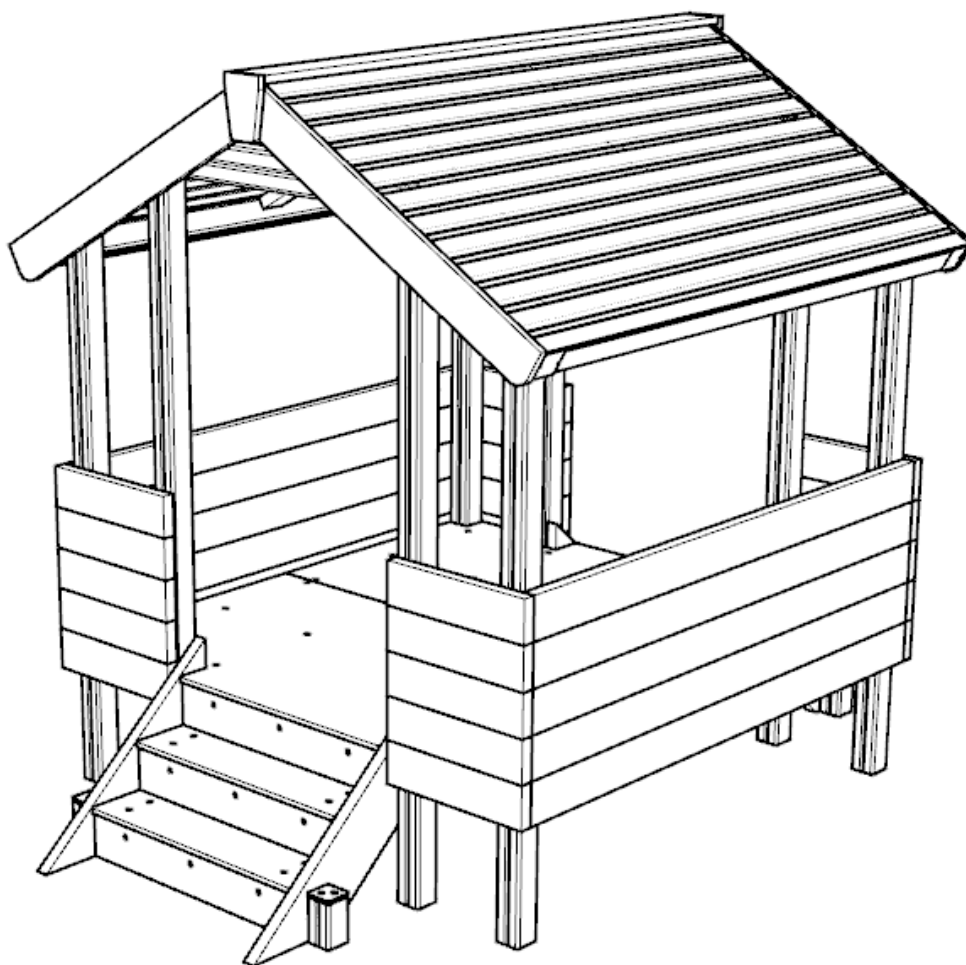
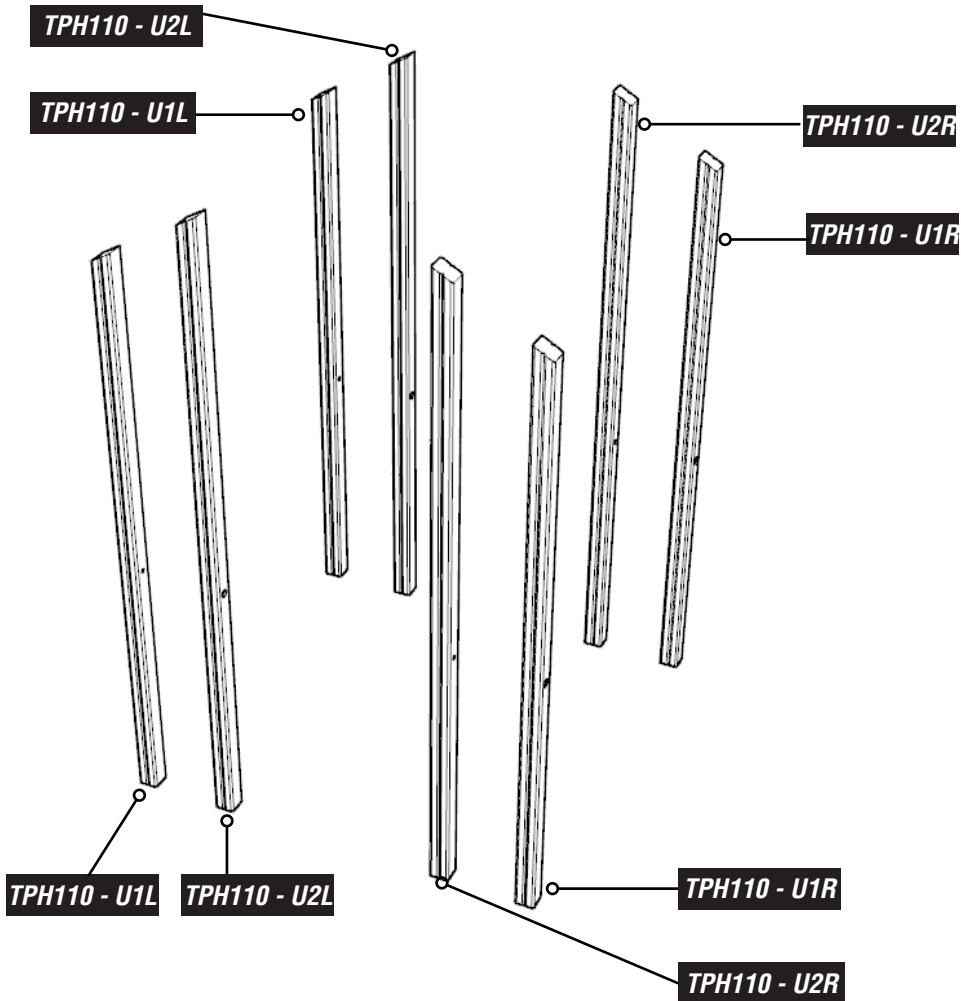


TPH110 - TIMBER PLAYHOUSE (RAISED) *Installation Instructions*

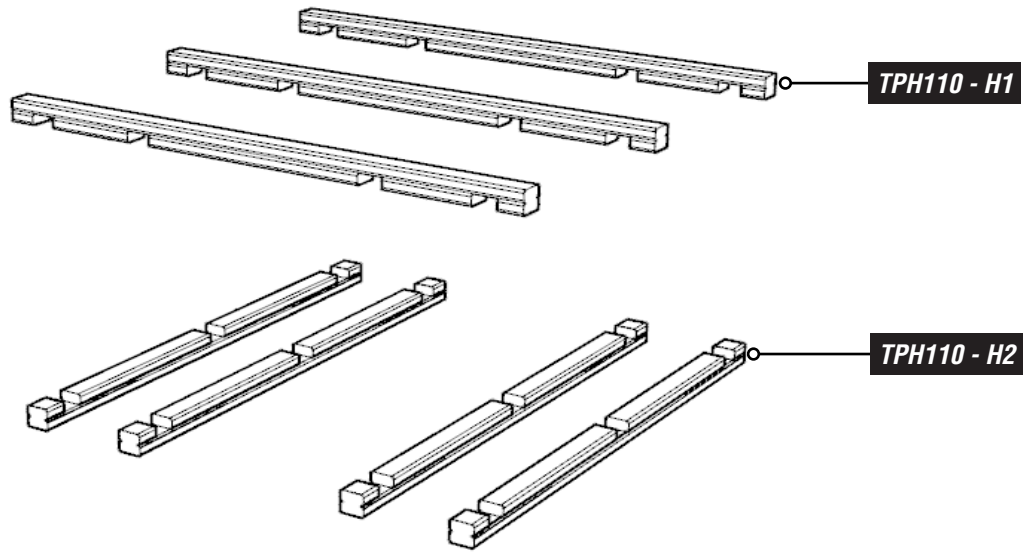
**creative
play**



TPH110 - TIMBER PLAYHOUSE (RAISED) Installation Instructions

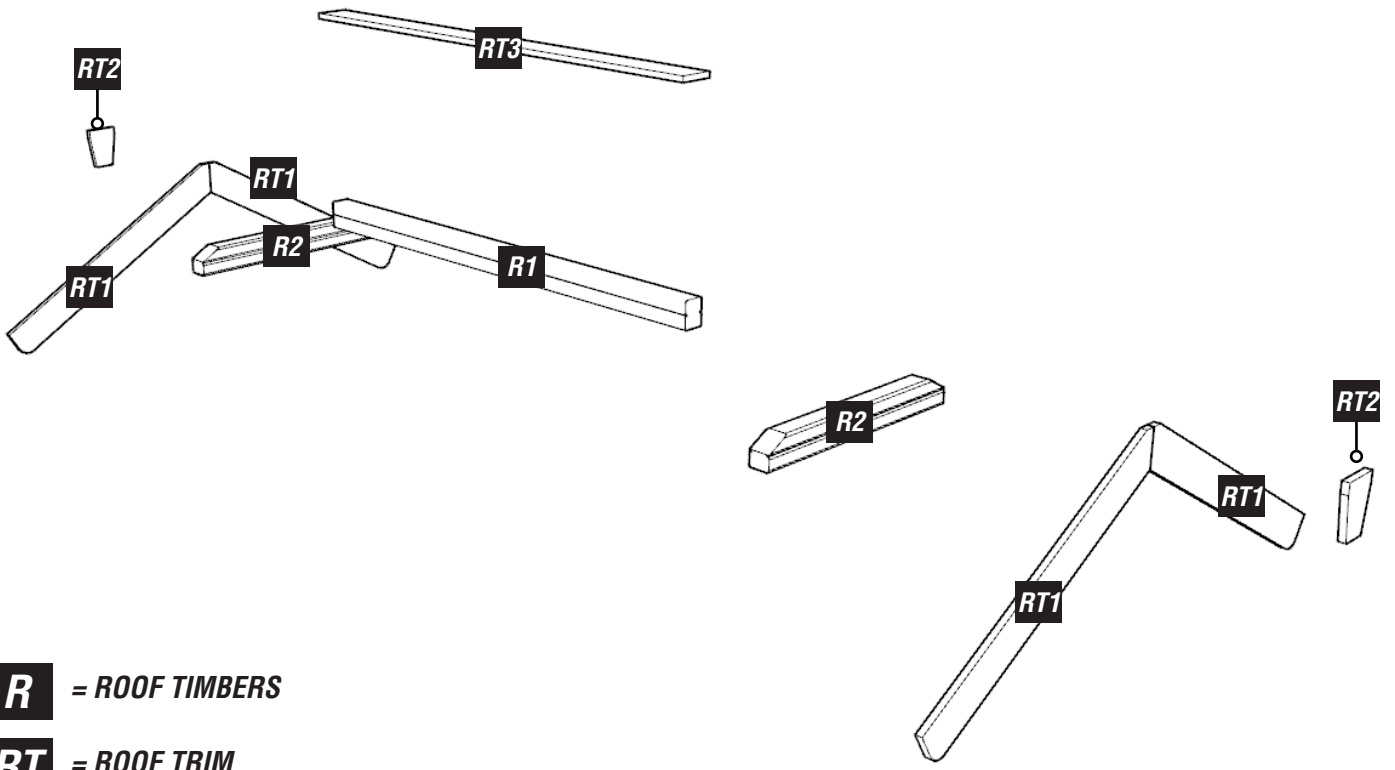


UPRIGHT TIMBERS



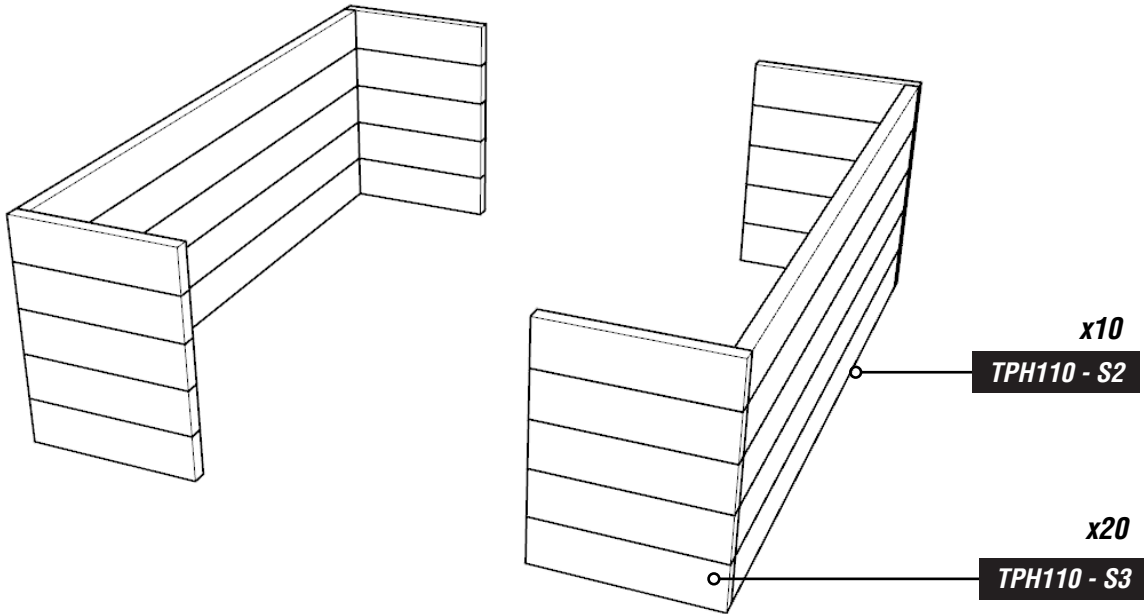
HORIZONTAL TIMBERS

TPH110 - TIMBER PLAYHOUSE (RAISED) Installation Instructions



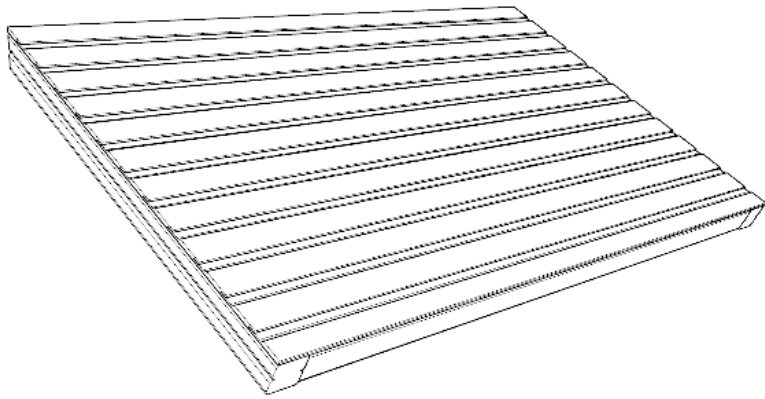
R = ROOF TIMBERS
RT = ROOF TRIM

ROOF TIMBERS



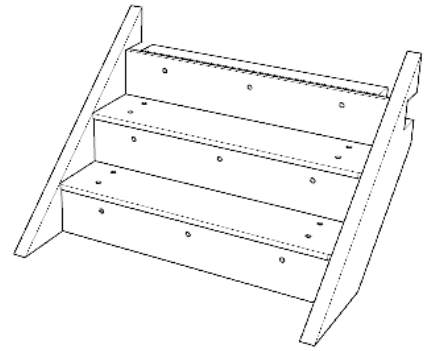
SLAT/CLADDING TIMBERS

PARTS REQUIRED



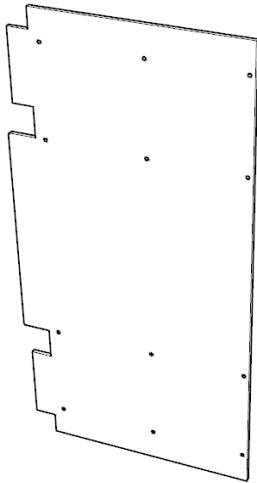
x2

ROOF PRE-ASSEMBLED PANELS



x1

STAIR ASSEMBLY



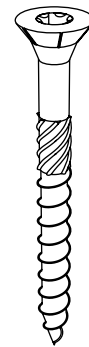
x2

HEX FLOOR PANEL



x18

97.M6X180CSK

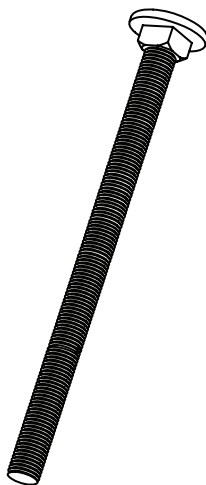


x128

97.M8X80CSK

x6

97.M8X120CSK



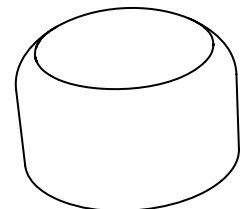
x8

274.M12X180



x8

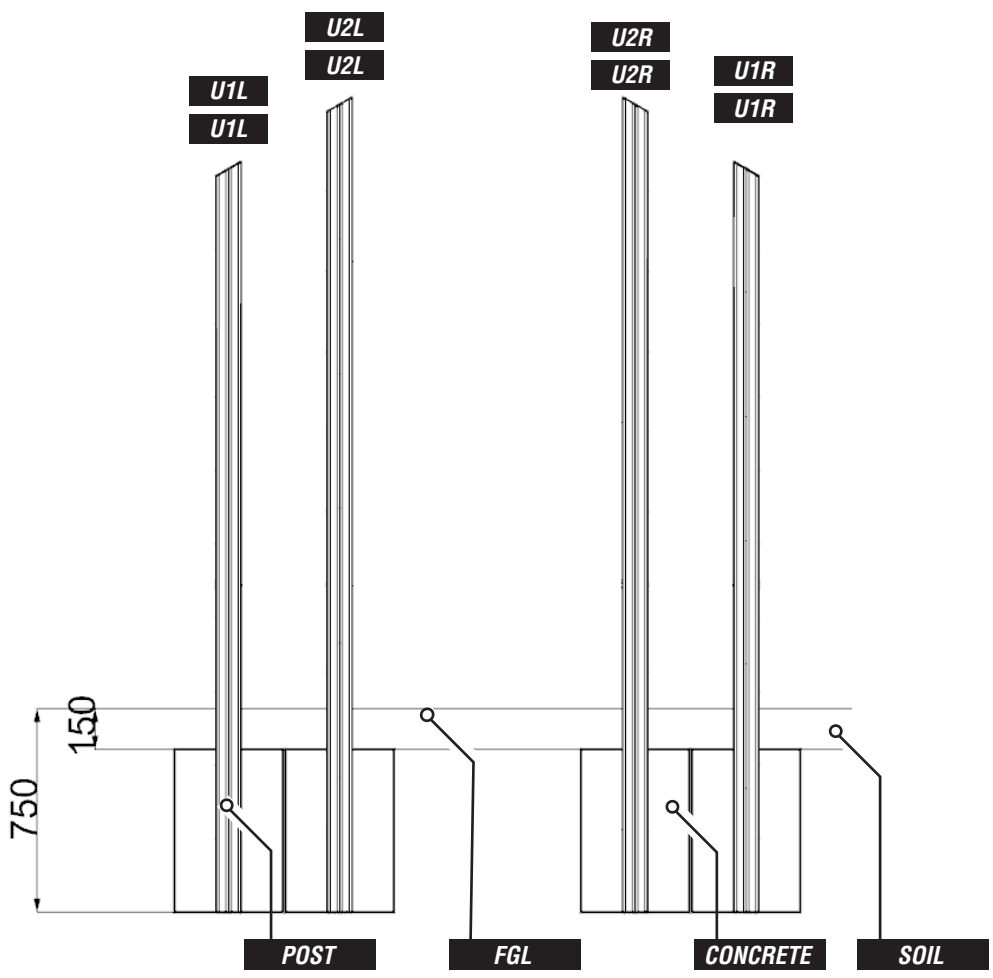
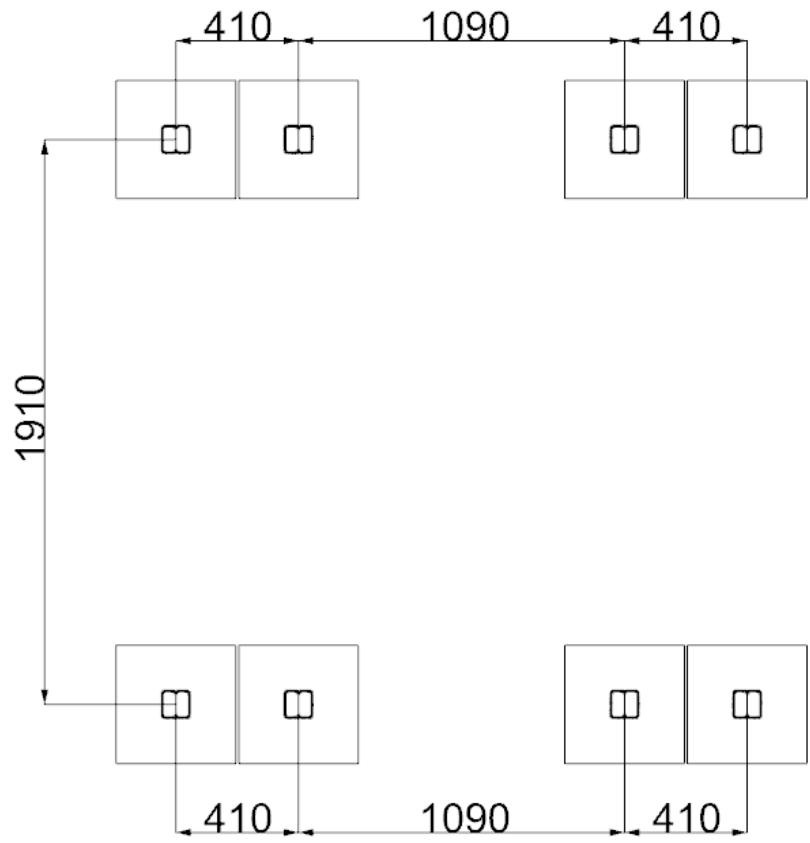
656.M12



x8

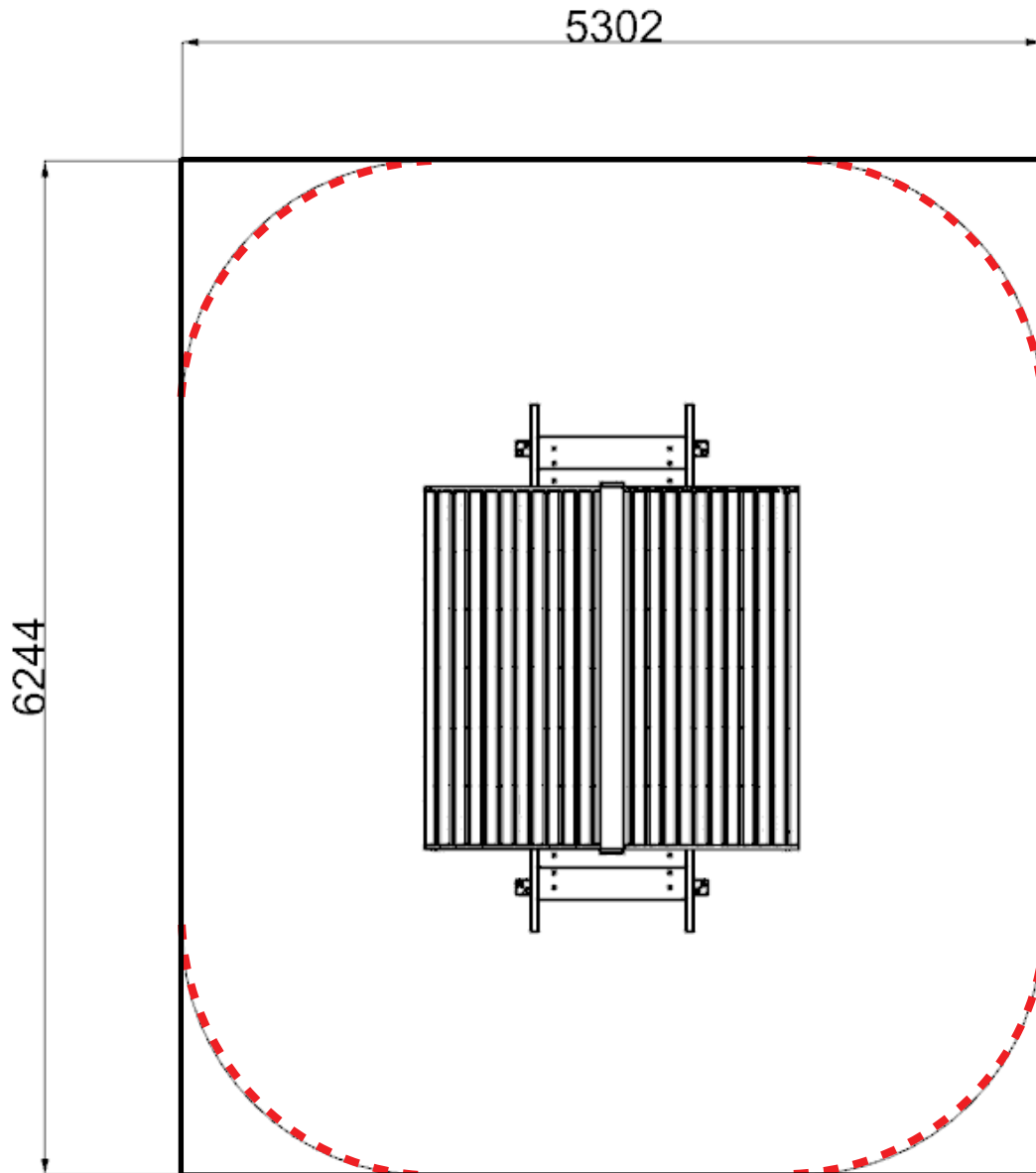
102003-01 - M12

FOUNDATION DETAILS



SURFACING DETAILS

- - - - - = MINIMUM SPACE
———— = SURFACE AREA




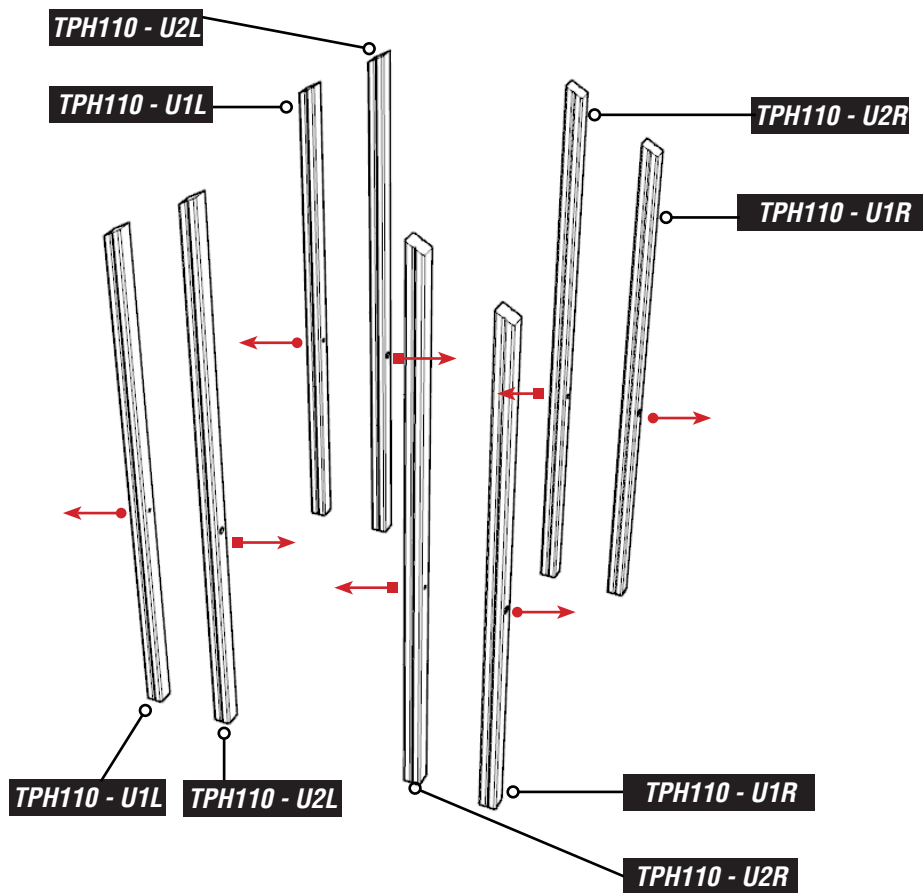
INSTALLATION INSTRUCTIONS

1

POSITION UPRIGHT TIMBERS ACCORDING TO GROUNDPLAN

ENSURING U2L & U2R TIMBER COUNTERSINKS ARE FACING INWARD AND U1L & U1R FACE OUTWARDS

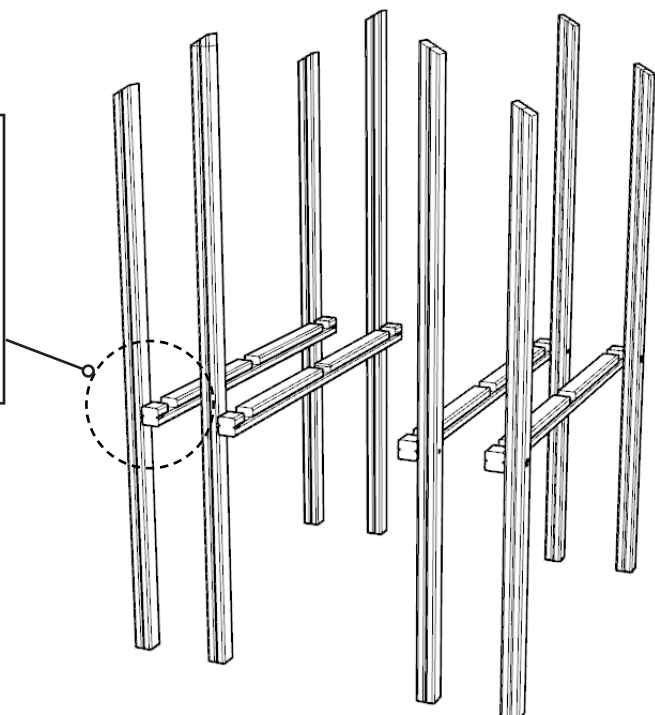
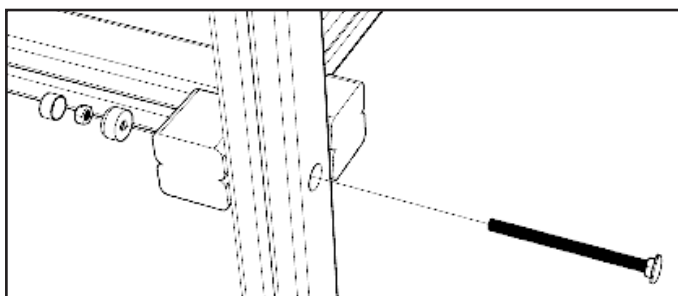
-  = INWARD
-  = OUTWARD



2

BOLT H2 TIMBERS TO UPRIGHTS

USING 274.M12X180 / 656.M12 / 102003-01-M12



NOTES:

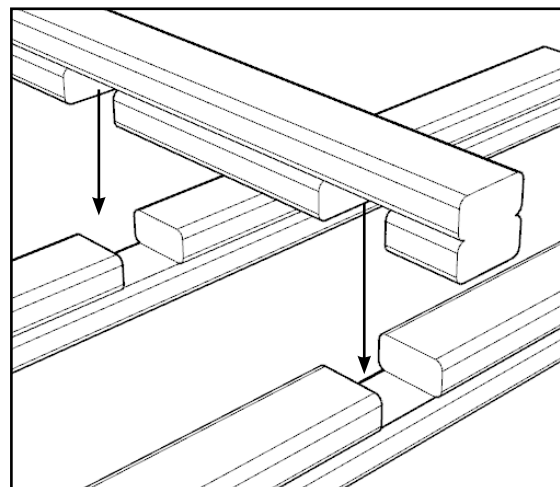
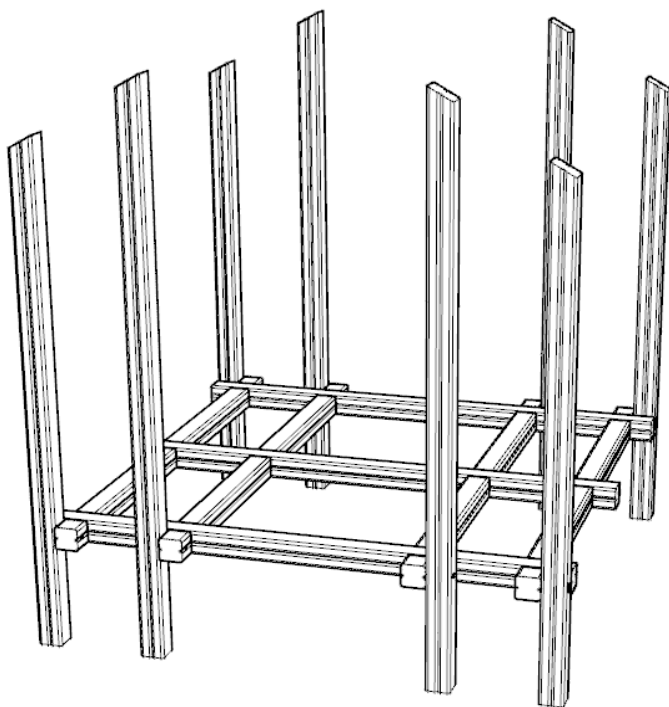
ENSURE CUP SQUARE SECTION SITS IN THE COUNTERSINK

INSTALLATION INSTRUCTIONS

3

SLOT H1 TIMBERS INTO H2 HALF LAP CUT OUTS

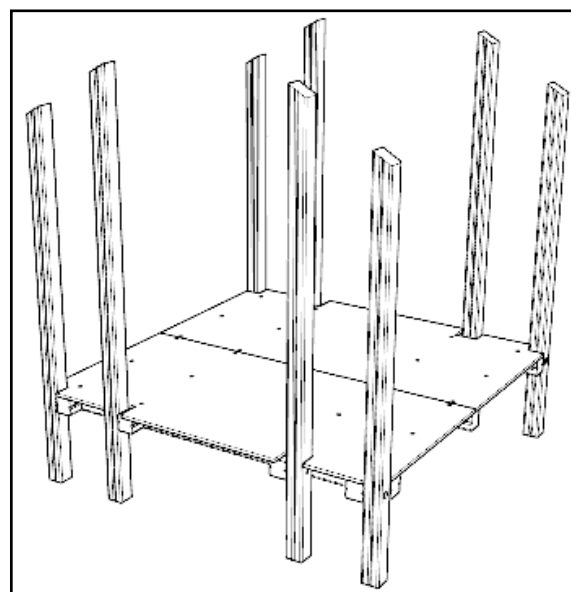
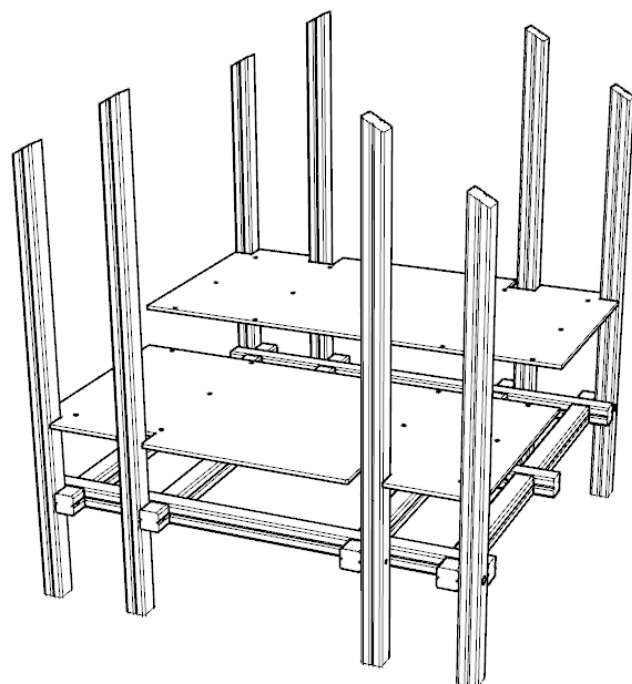
TO BE SCREWED TOGETHER WHEN HEXA GRIP IS ATTACHED



4

ATTACH HEXA GRIP FLOOR PANELS

USING M8X80MM WOOD SCREWS



INSTALLATION INSTRUCTIONS

5

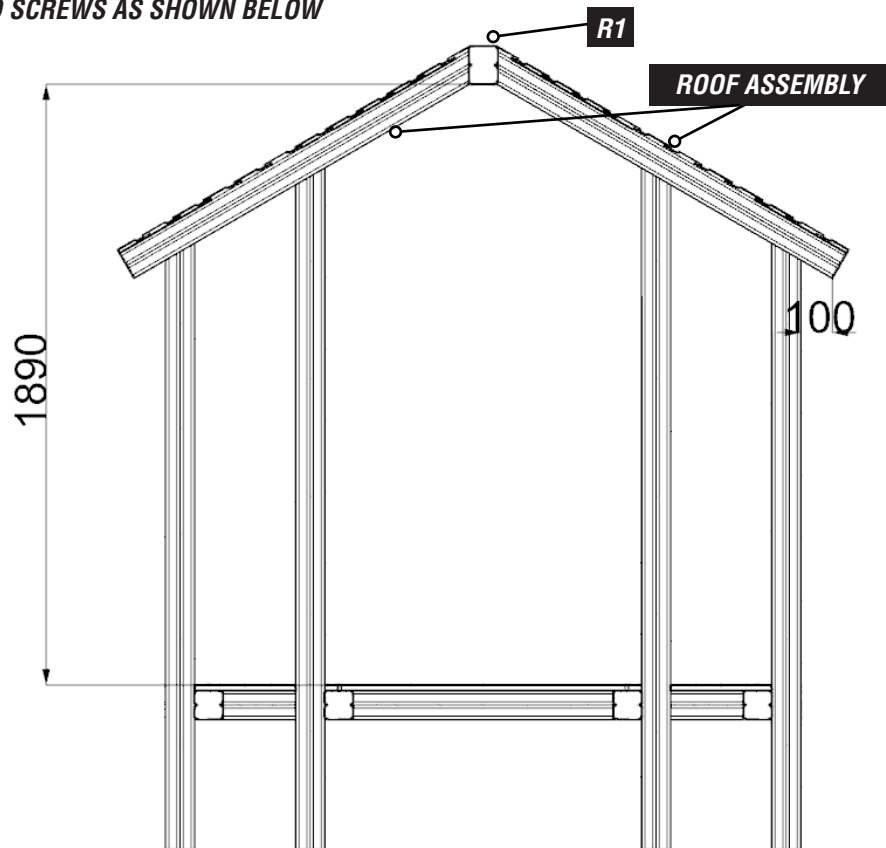
ATTACH PRE-ASSEMBLED ROOF PANELS TO R1 RIDGE BEAM TIMBER

USING M8X120MM & M8X180MM WOOD SCREWS AS SHOWN BELOW

NOTES:

ENSURE RIDGE BEAM IS POSITIONED AS SHOWN (RIGHT)

USE ACRO PROP TO SET BEAM AT CORRECT HEIGHT (1890MM) FROM TOP OF HEX FLOOR TO UNDERSIDE OF RIDGE BEAM (R1)



6

ENSURE ROOF PANELS ARE ASSEMBLED AS HIGHLIGHTED BELOW

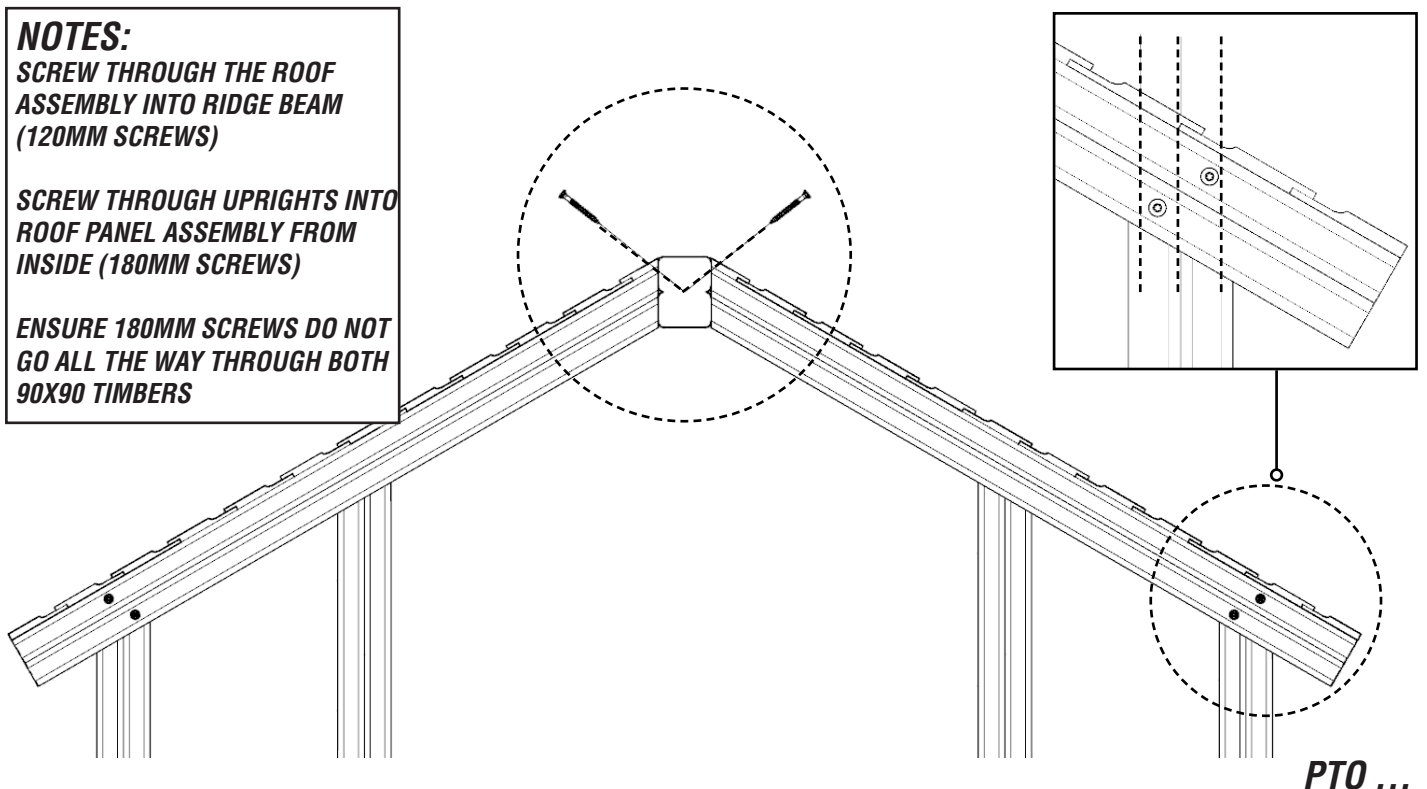
USING M8X120MM & M8X180 WOOD SCREWS

NOTES:

SCREW THROUGH THE ROOF ASSEMBLY INTO RIDGE BEAM (120MM SCREWS)

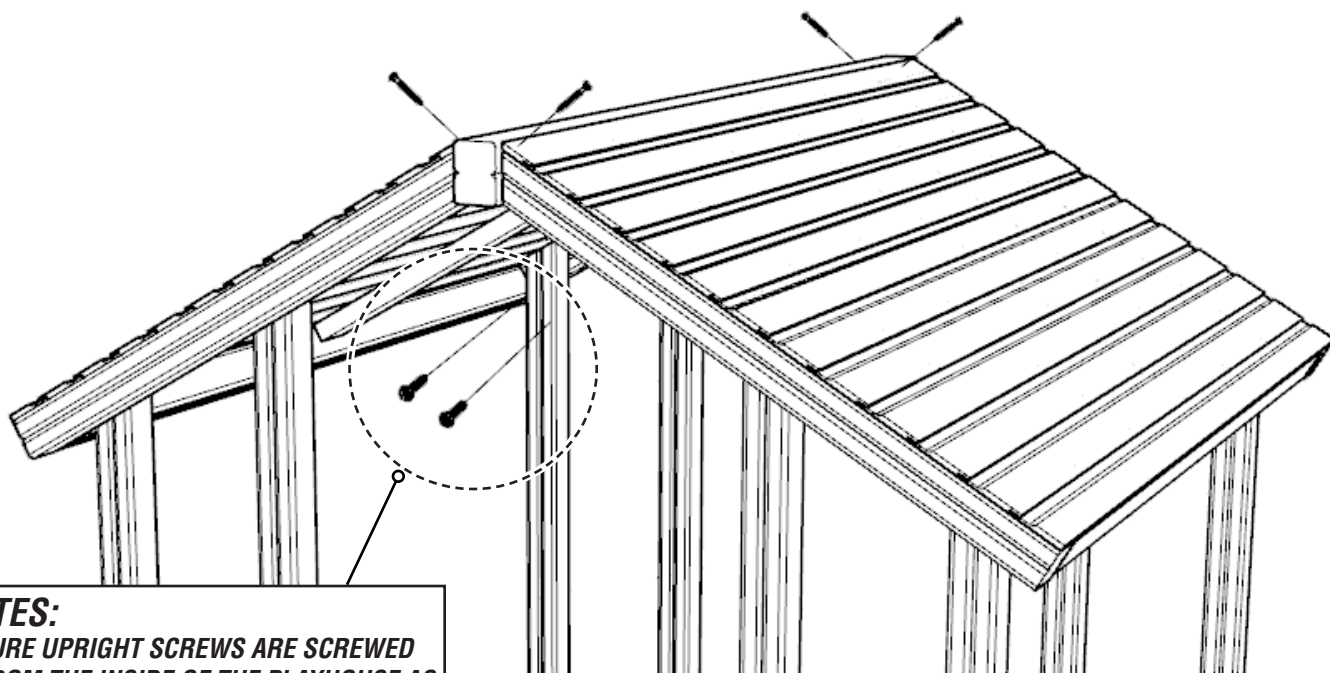
SCREW THROUGH UPRIGHTS INTO ROOF PANEL ASSEMBLY FROM INSIDE (180MM SCREWS)

ENSURE 180MM SCREWS DO NOT GO ALL THE WAY THROUGH BOTH 90X90 TIMBERS



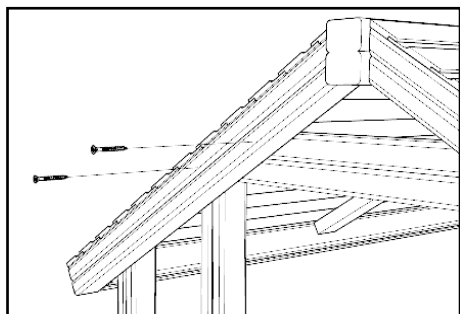
PTO ...

INSTALLATION INSTRUCTIONS

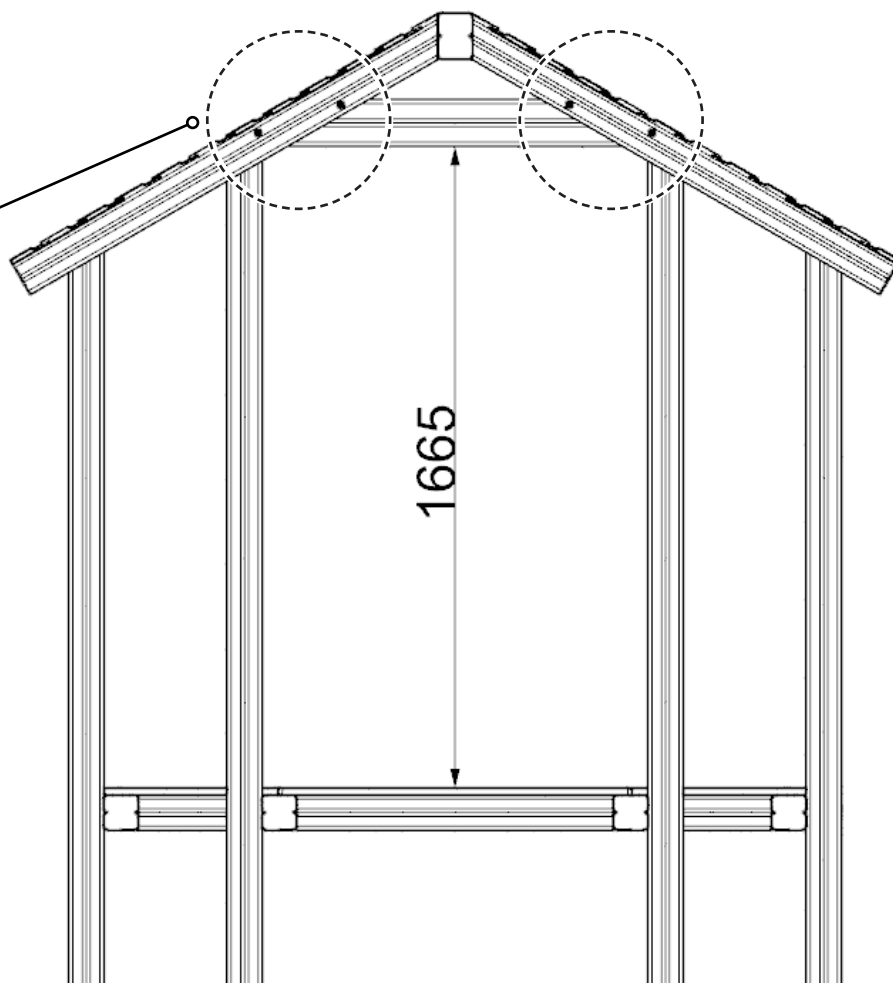


NOTES:
ENSURE UPRIGHT SCREWS ARE SCREWED IN FROM THE INSIDE OF THE PLAYHOUSE AS SHOWN

7 ATTACH R2 TIMBERS USING M8X180MM WOOD SCREWS



NOTES:
ENSURE TIMBERS ARE SCREWED IN FROM THE INSIDE OF THE PLAYHOUSE - SCREW HEADS ON INSIDE

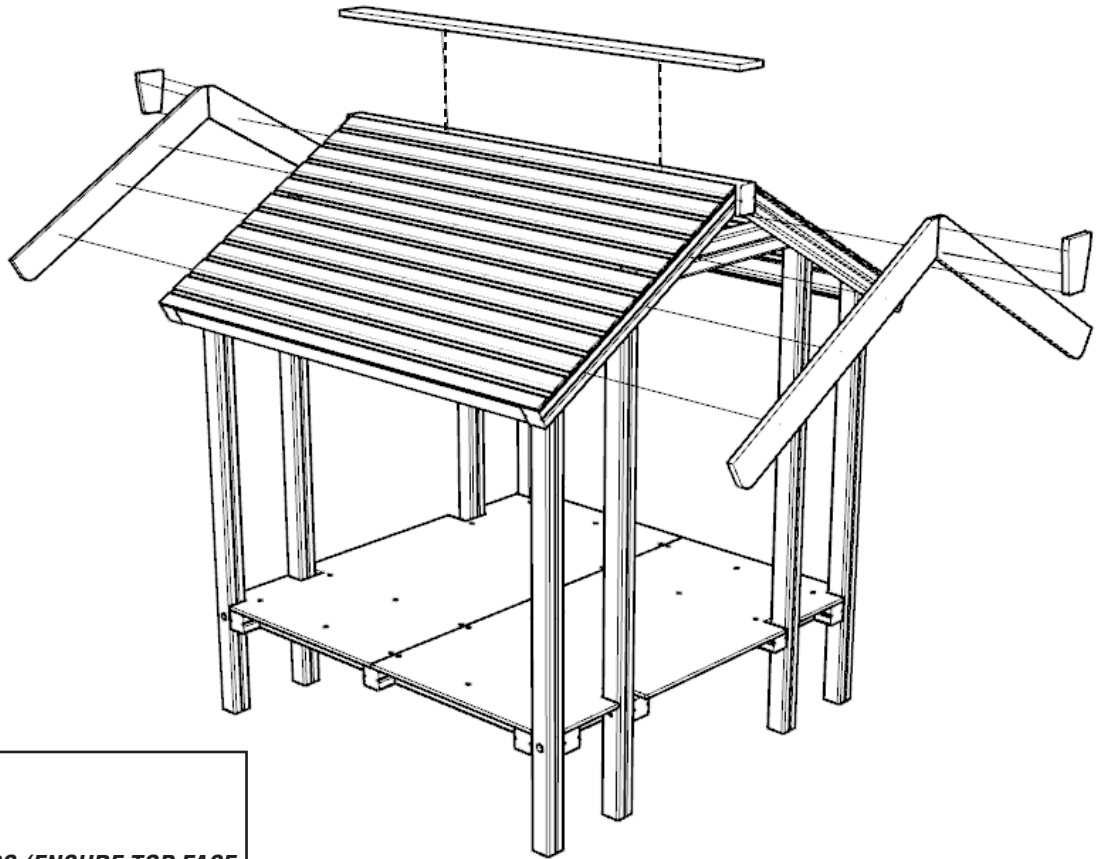


INSTALLATION INSTRUCTIONS

8

ATTACH ROOF TRIM PIECES (RT1, RT2 & RT3) AS SHOWN BELOW

READ NOTES BELOW AND USE M8X80MM WOOD SCREWS TO SECURE



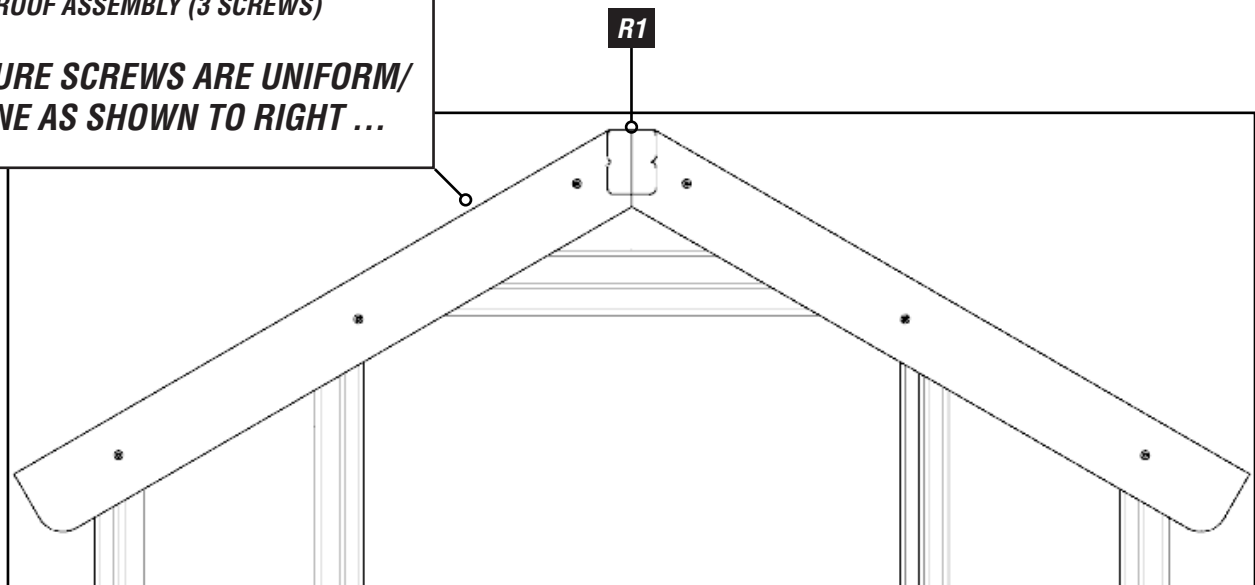
NOTES:

1. ATTACH RT1 TIMBERS (ENSURE TOP FACE OF RT1 TIMBER IS FLUSH WITH TOP FACE OF RIDGE BEAM (R1) - (3 PER RT1 TRIM)

2. ATTACH RT3 TIMBER TO RIDGE BEAM (R1) (3 SCREWS)

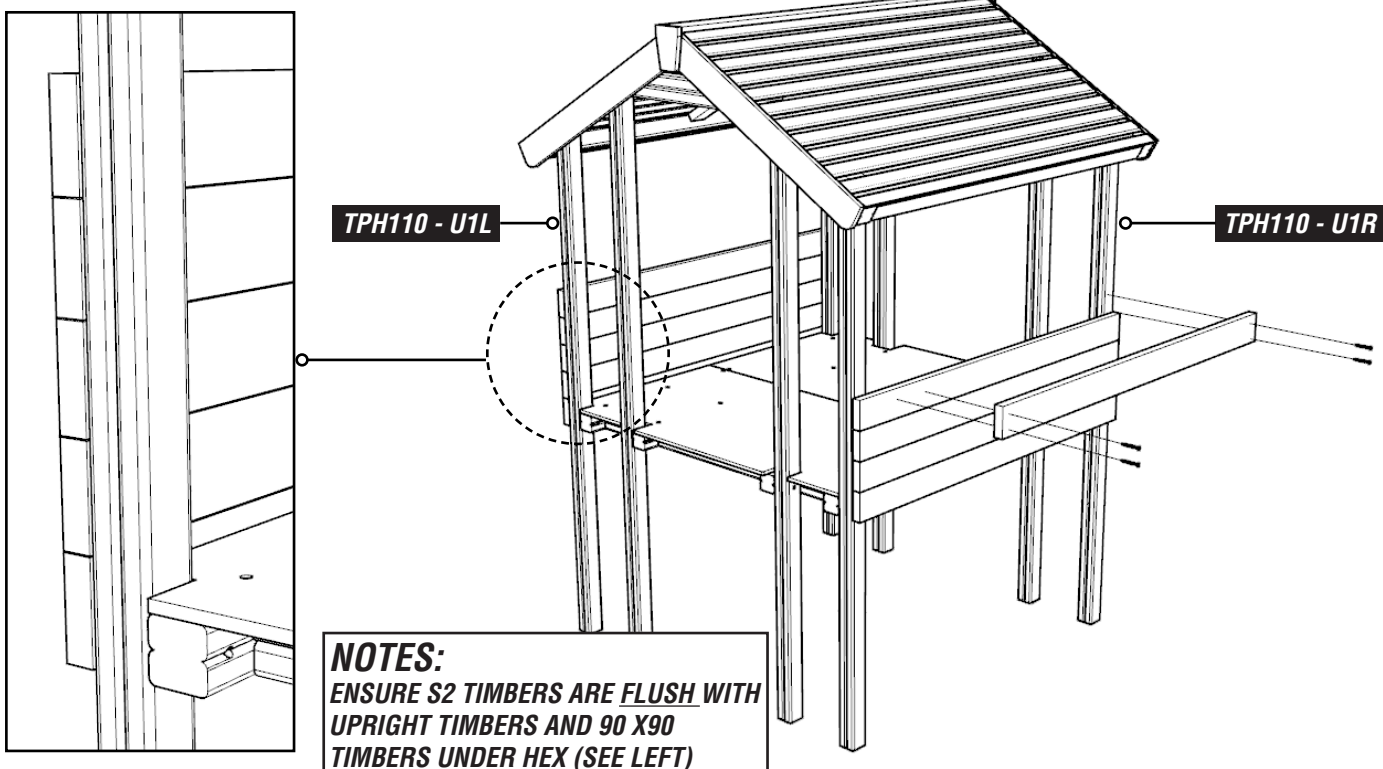
3. ATTACH RT2 'COVERS' TO RT1 TRIM & INTO ROOF ASSEMBLY (3 SCREWS)

**ENSURE SCREWS ARE UNIFORM/
INLINE AS SHOWN TO RIGHT ...**

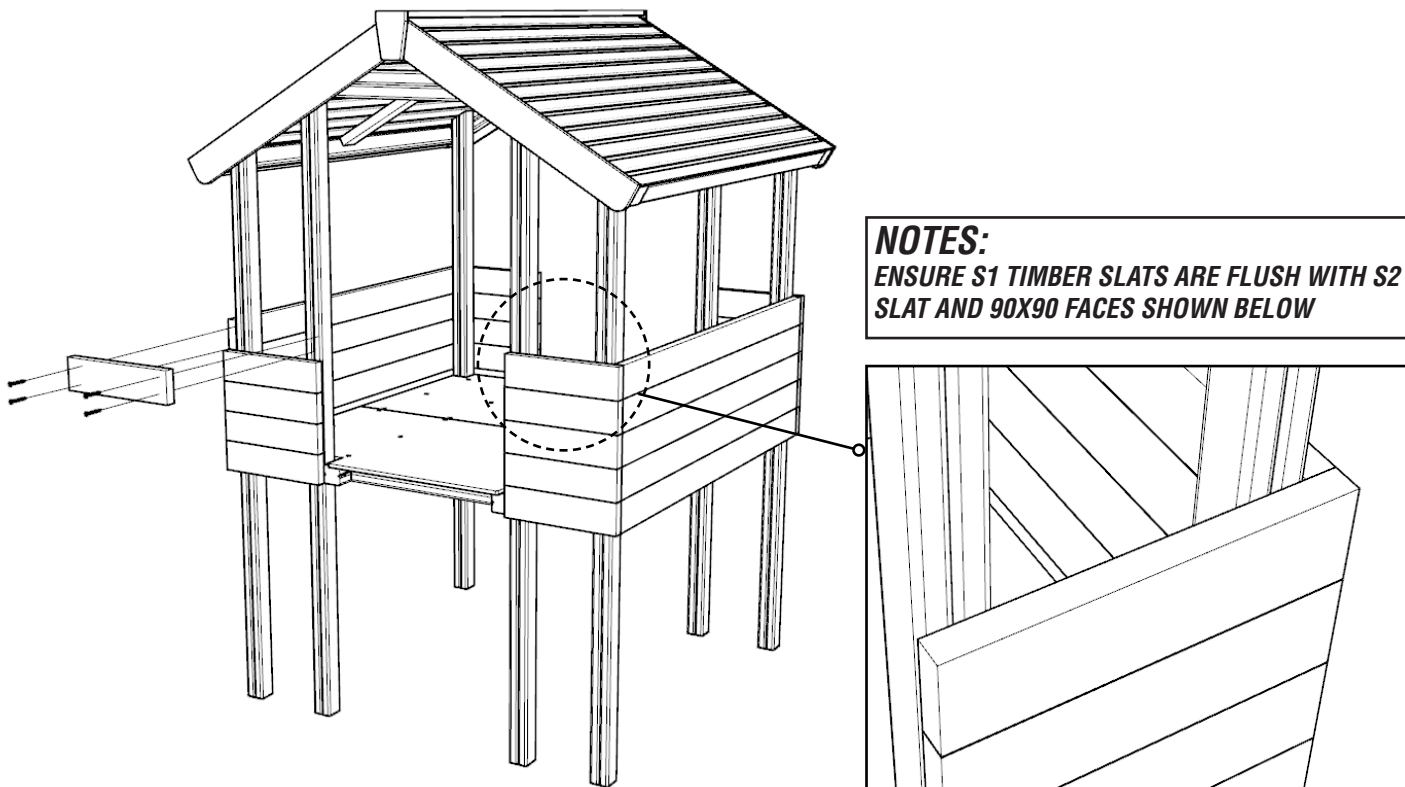


INSTALLATION INSTRUCTIONS

9 ATTACH TPH110 - S2 TIMBERS TO UPRIGHTS SHOWN (U1L & U1R OUTER TIMBERS) USING M8X80MM WOOD SCREWS, 5 TIMBER SLATS PER SIDE, 4 SCREWS PER TIMBER



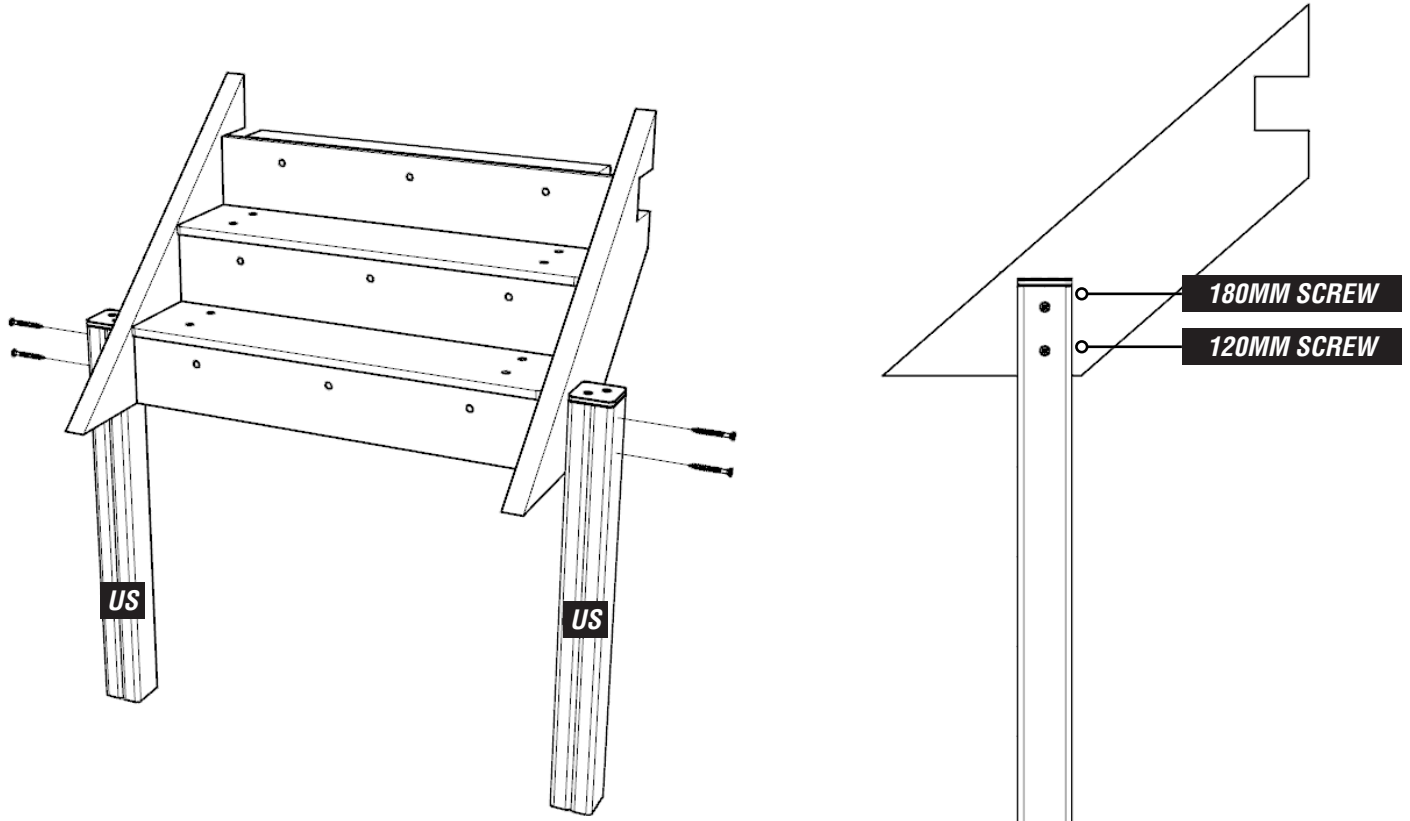
10 ATTACH TPH110 - S1 TO FRONT AND BACK OF PLAYHOUSE USING M8X80MM WOOD SCREWS, 5 TIMBER SLATS PER SIDE, 4 SCREWS PER TIMBER



INSTALLATION INSTRUCTIONS

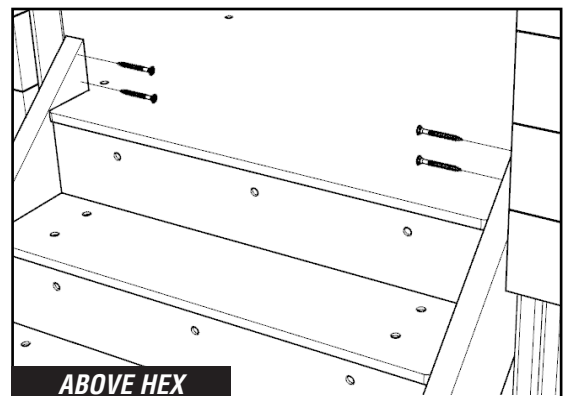
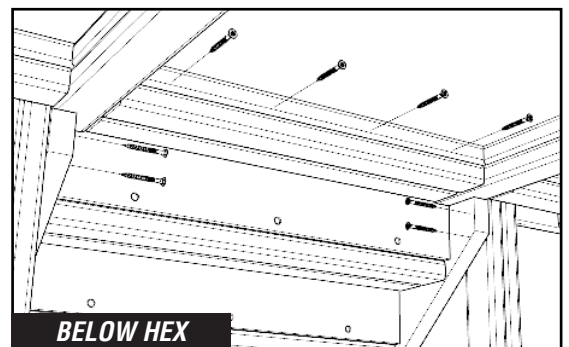
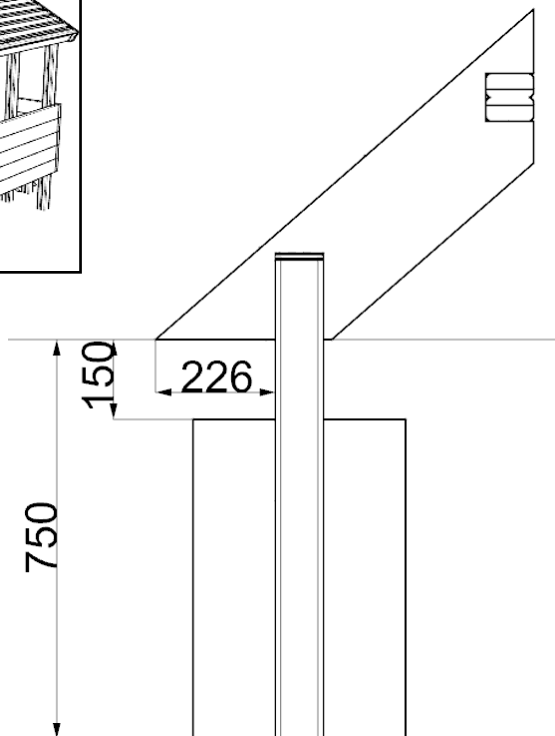
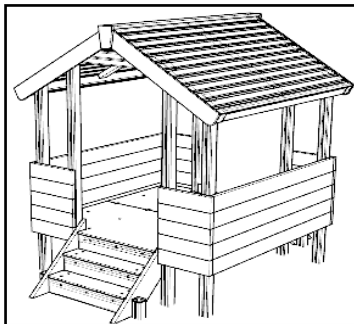
11 ATTACH TPH110 - US TIMBERS TO STAIR ASSEMBLY

USING M8X180MM & M8X120MM WOOD SCREWS - TOP SCREW = 180MM SCREW, BOTTOM = 120MM SCREW



12 SECURE THE STAIRS ASSEMBLIES INTO PLACE ON BOTH SIDES OF PLAYHOUSE

USING M8X80MM WOOD SCREWS ABOVE AND BELOW AS SHOWN



ADDITIONAL DIMENSIONS

