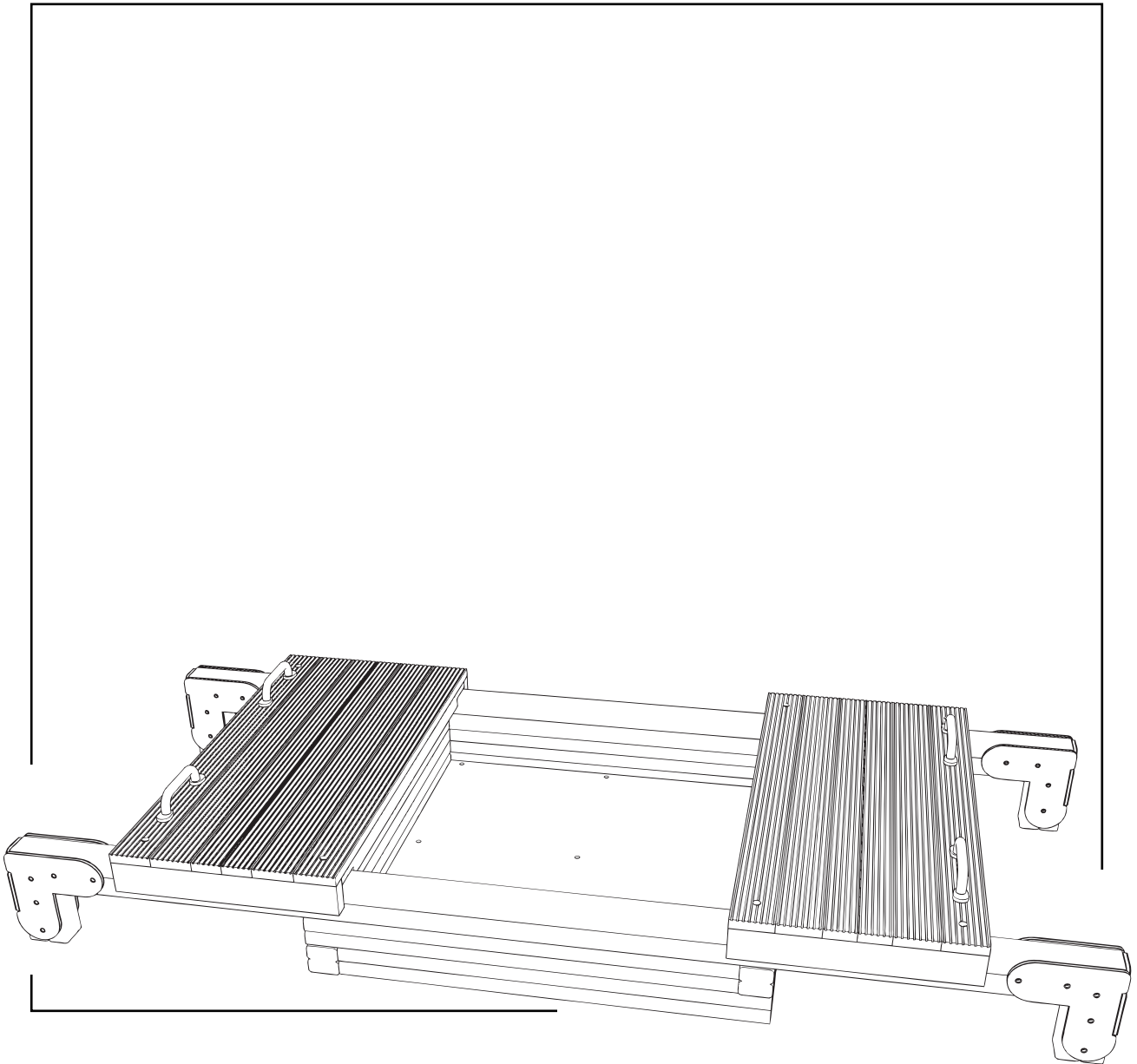


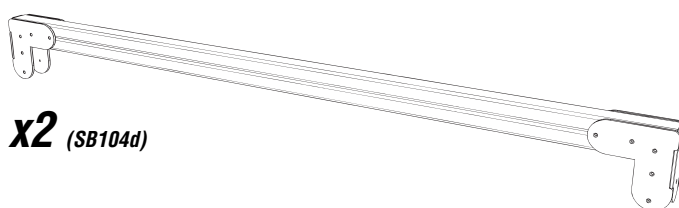
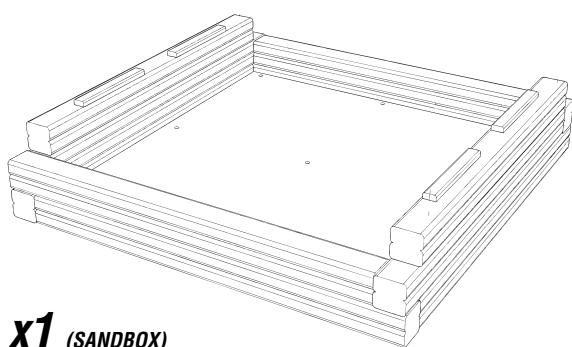
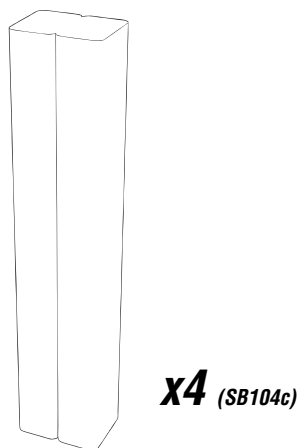
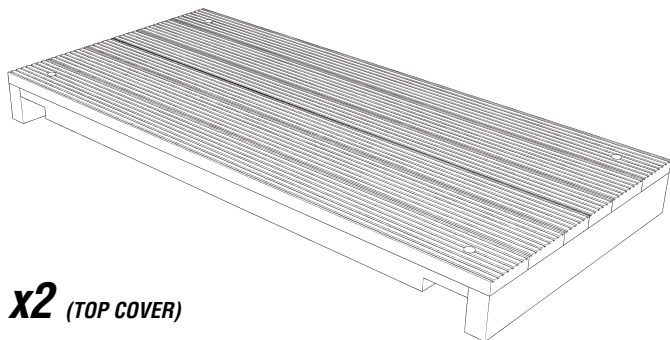
TIMBER SANDBOX

Installation Instructions

**creative
play**

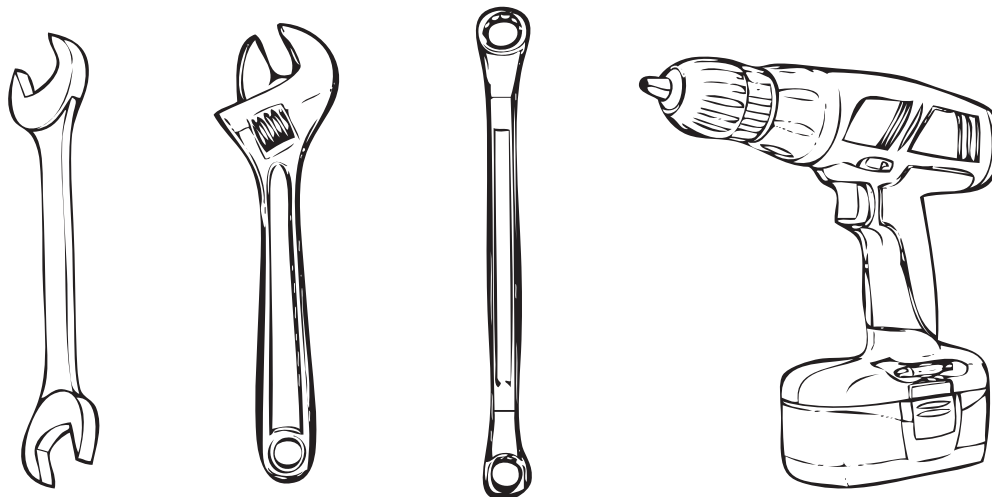


PARTS required

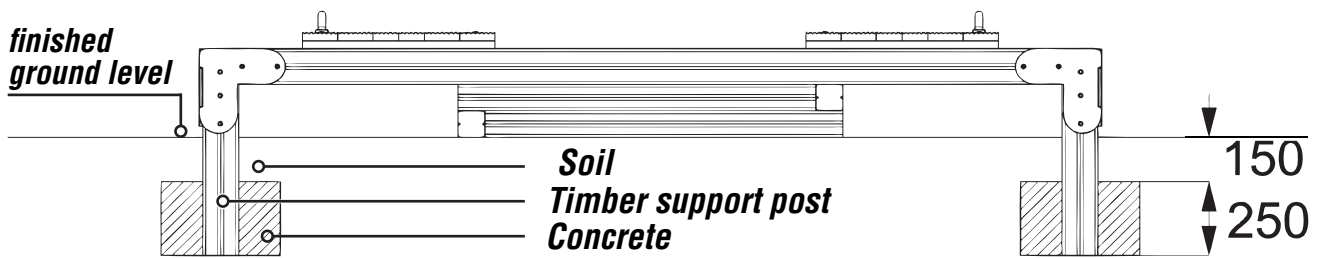
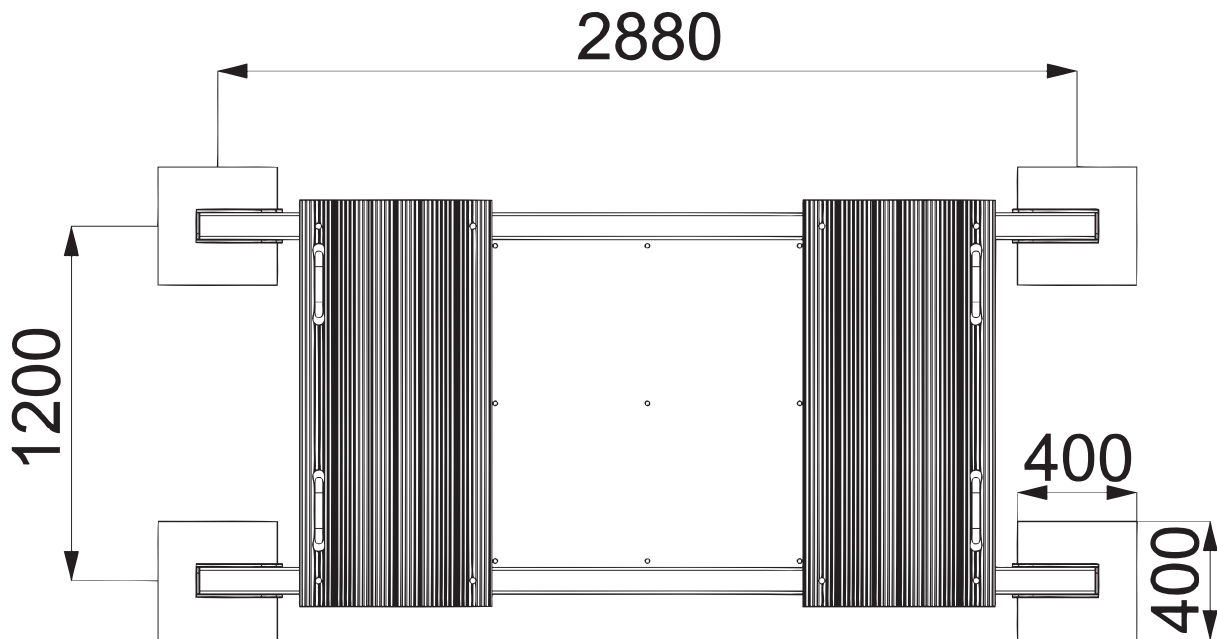


x8 (FM120 'Brass screws')

TOOLS required



Foundation Details



Installation Instructions

1

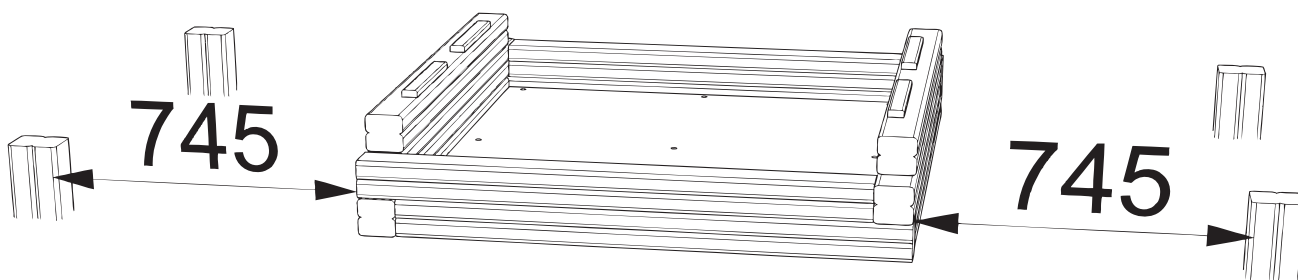
Install the UPRIGHTS SB104c

Follow Foundation details



2

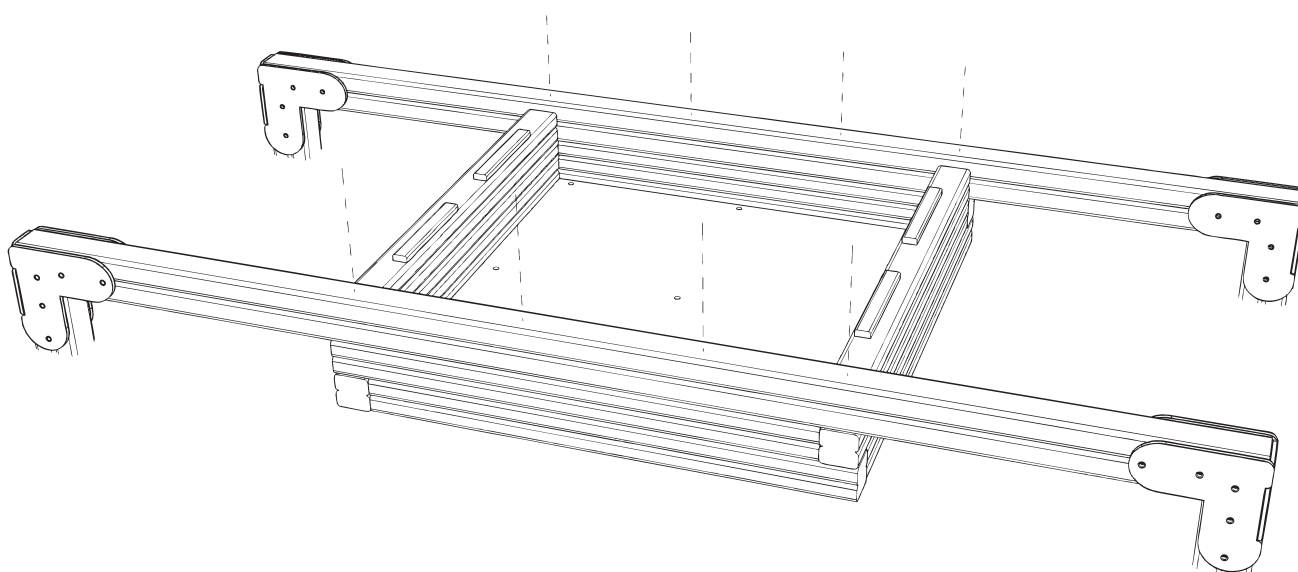
PLACE SANDBOX in the Middle of the SB104c UPRIGHTS



3

Attach TIMBERS SB104d to UPRIGHTS and SANDBOX

Using 16x FM80 Brass 'Screws' ('L' BRACKETS) / 8x FM120 Brass 'Screws' (TIMBERS)

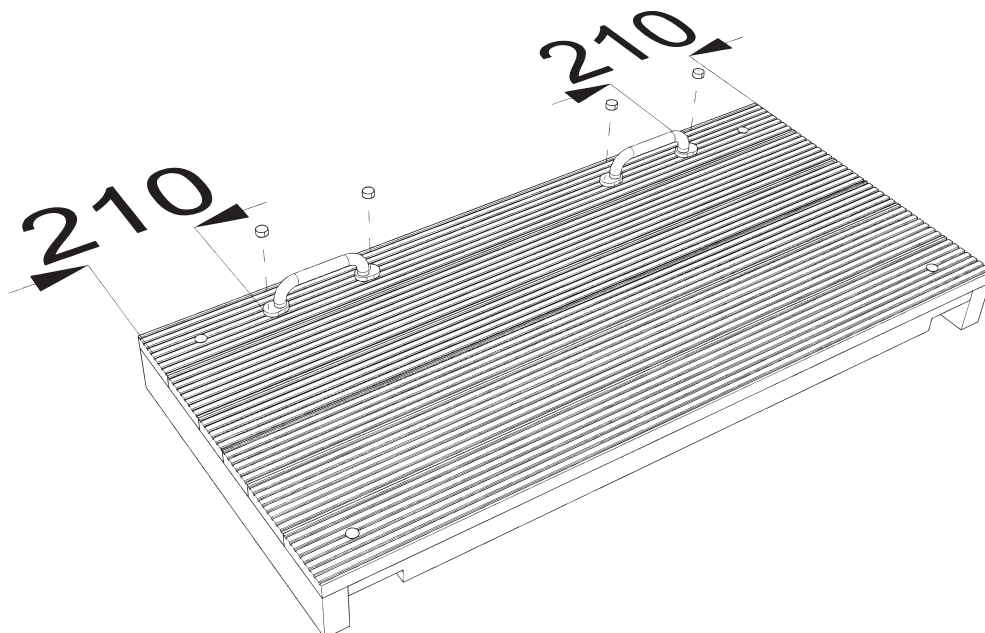


Installation Instructions

4

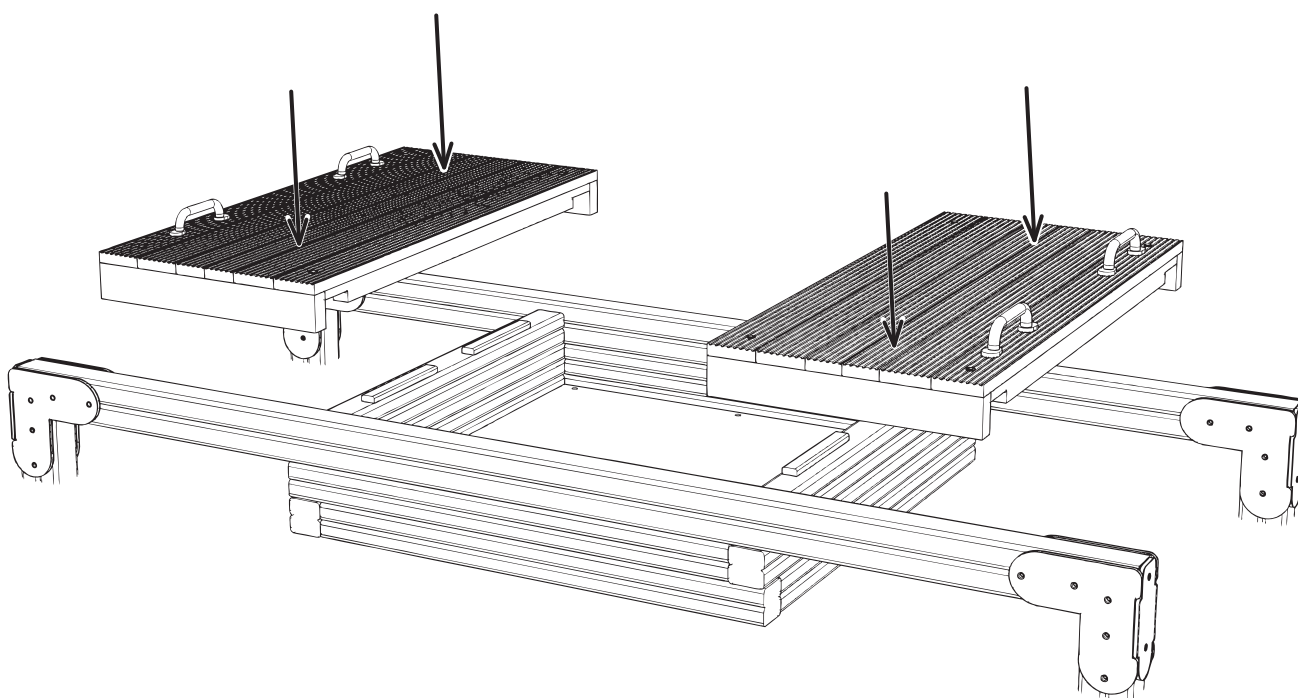
Attach **HANDELS** to **TOP COVERS**

Using 8x FM80 Brass 'Screws' / 4x **HANDELS**



4

PLACE **TOP COVERS**



Additional Dimensions

