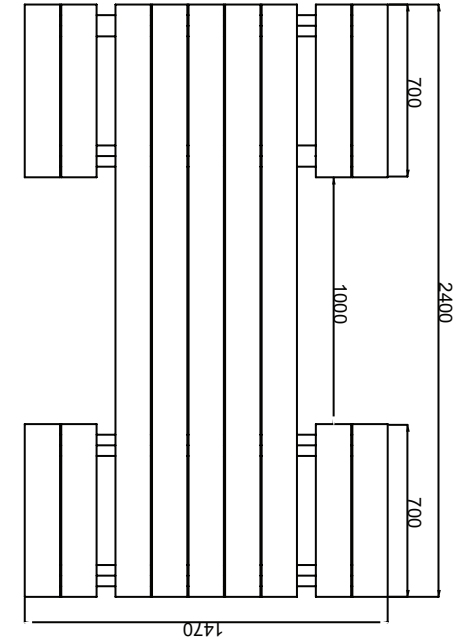
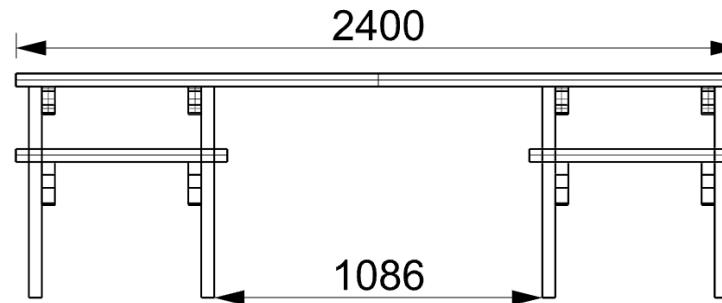
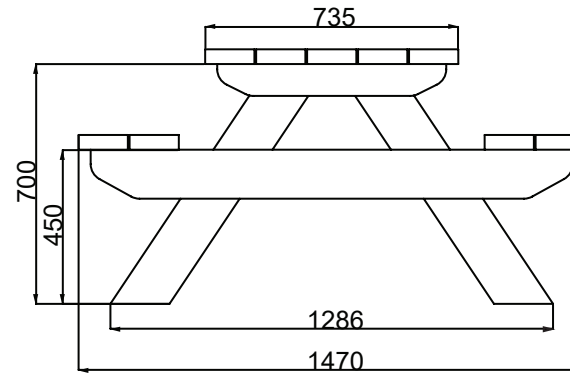


2.4M WHEELCHAIR INCLUSIVE PICNIC TABLE (FREESTANDING)

**creative
play**

PT109



**Measurements in millimetres*

PRODUCT INFORMATION	
PRODUCT CODE	PT109
DIMENSIONS LXWXH	2.4M X 1.5M X 0.7M
AGE RANGE	3+
SPARE PART AVAILABILITY	2-4 WEEKS

TECHNICAL INFORMATION	
FREE FALL HEIGHT	N/A
MINIMUM AREA	2.4MX1.5M
MIN. SURFACING AREA	N/A
STANDARDS COMPLIANCE	BSEN1176

DOWNLOADS	
PRODUCT WEBPAGE	
MAINTENANCE INFORMATION	

**Information correct at time of creation*