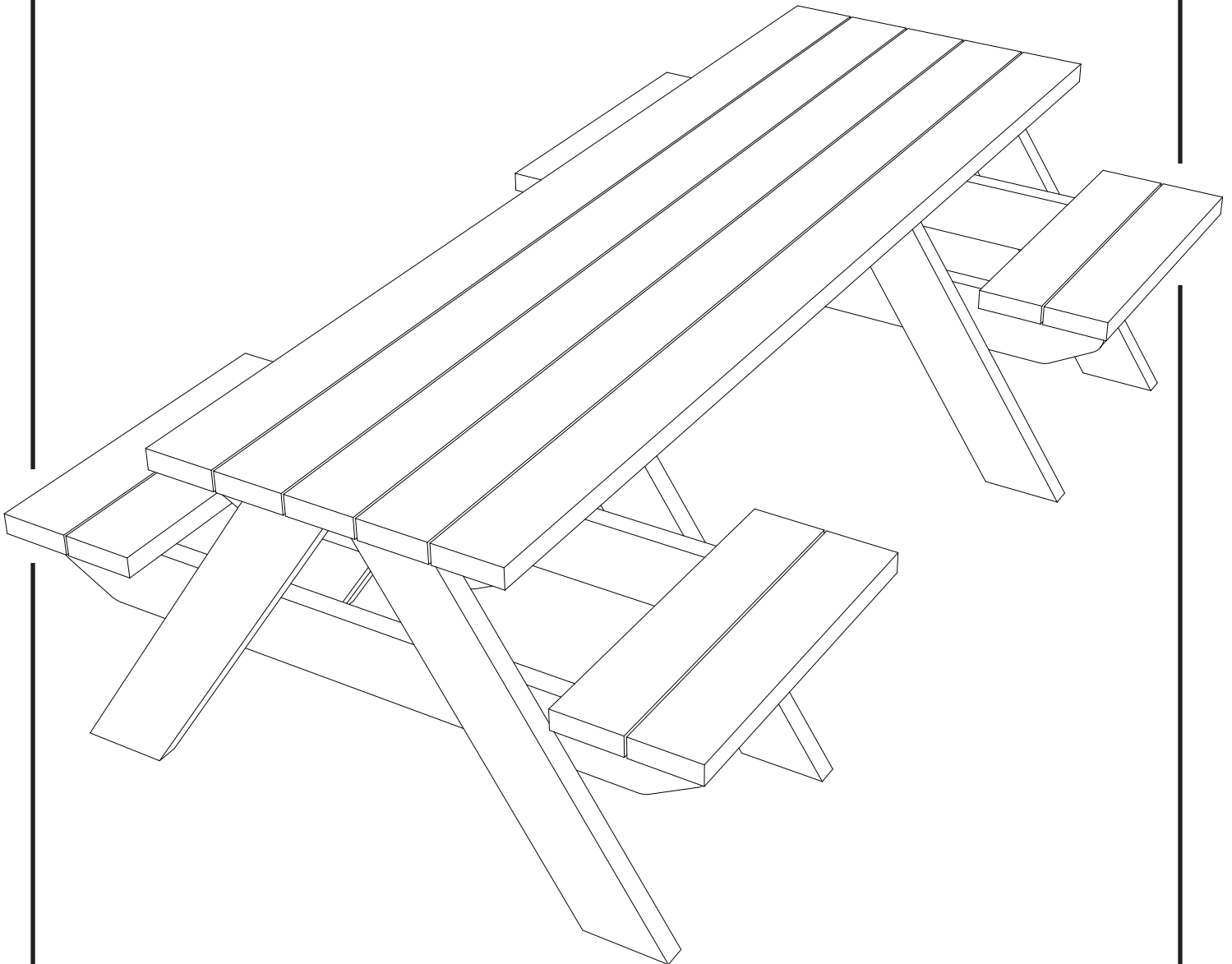
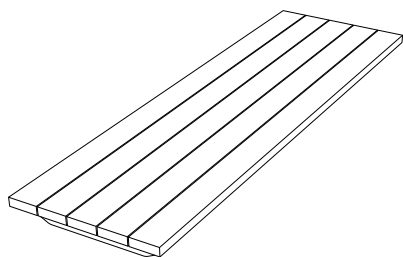


**PT109 - 2.4M WHEELCHAIR INCLUSIVE
PICNIC TABLE** *Installation Instructions*

**creative
play**



PARTS REQUIRED



2.4M TABLE TOP

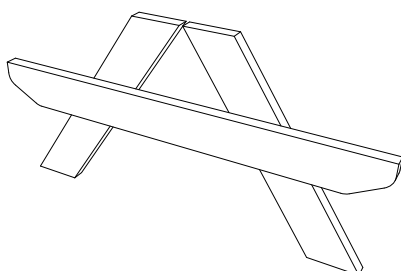
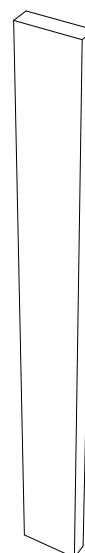
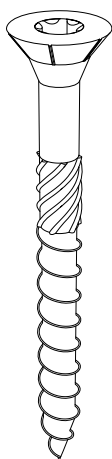


TABLE LEGS (X4)

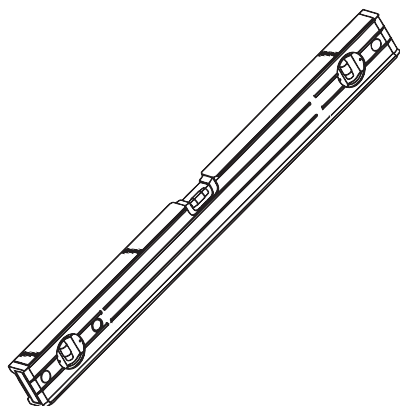


SEAT TIMBERS (X8)



M8X80CSK (X40)

TOOLS REQUIRED

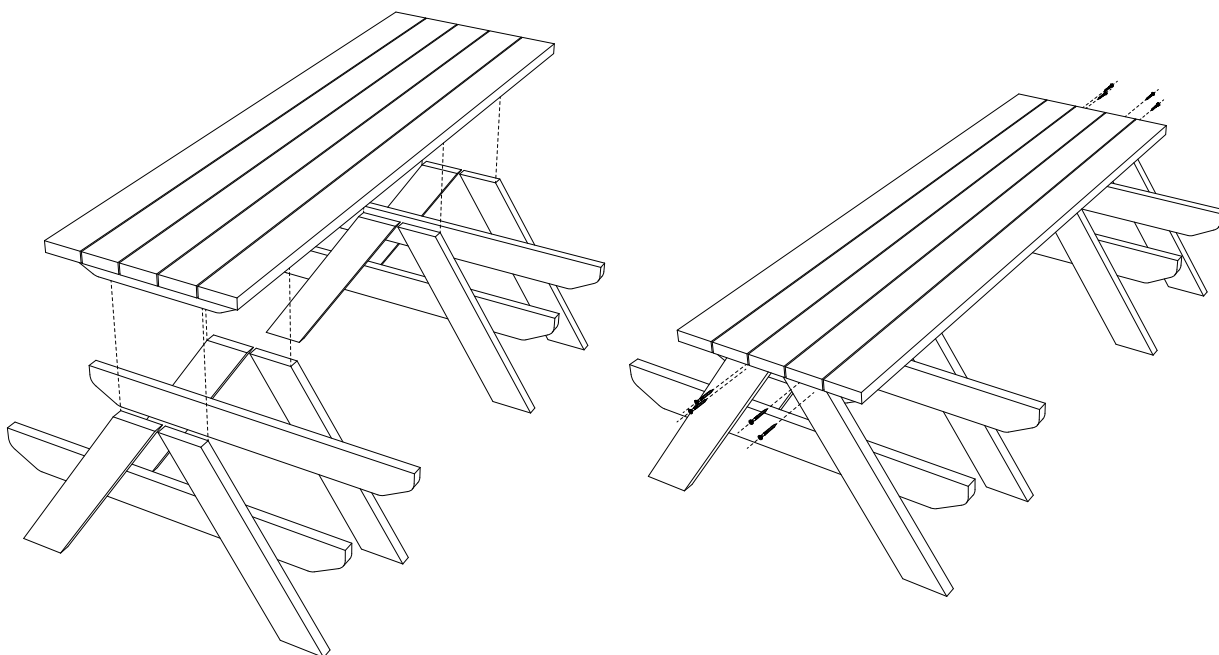


INSTALLATION INSTRUCTIONS

1

FIX TABLE TOP TO TABLE LEGS

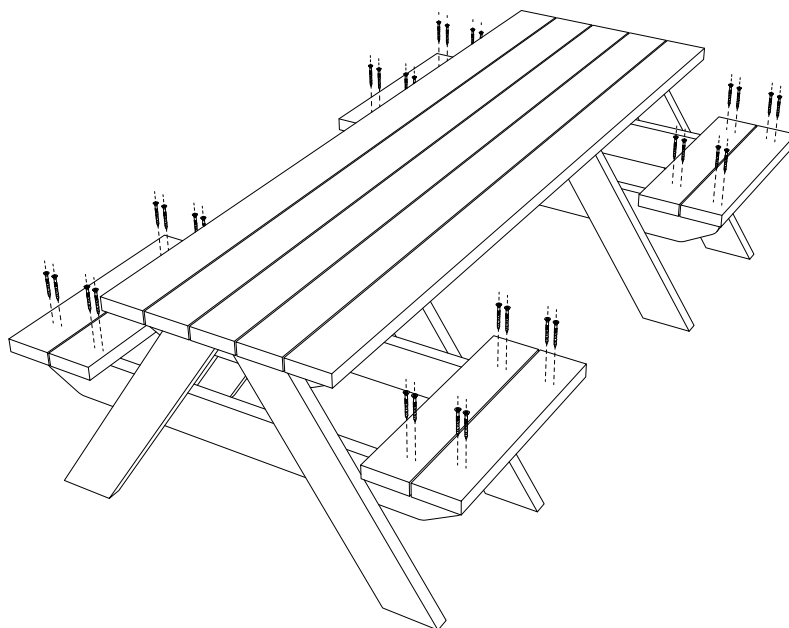
USING M8X80CSK - ENSURE LEGS SIT ON THE INSIDE OF THE TABLE TOP SUPPORTS



2

FIX SEATING TIMBERS TO TABLE LEGS

USING M8X80CSK



ADDITIONAL DIMENSIONS

