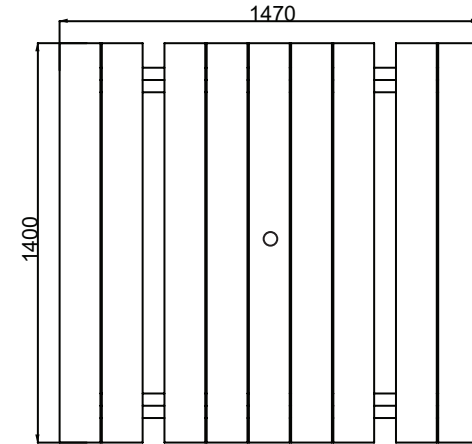
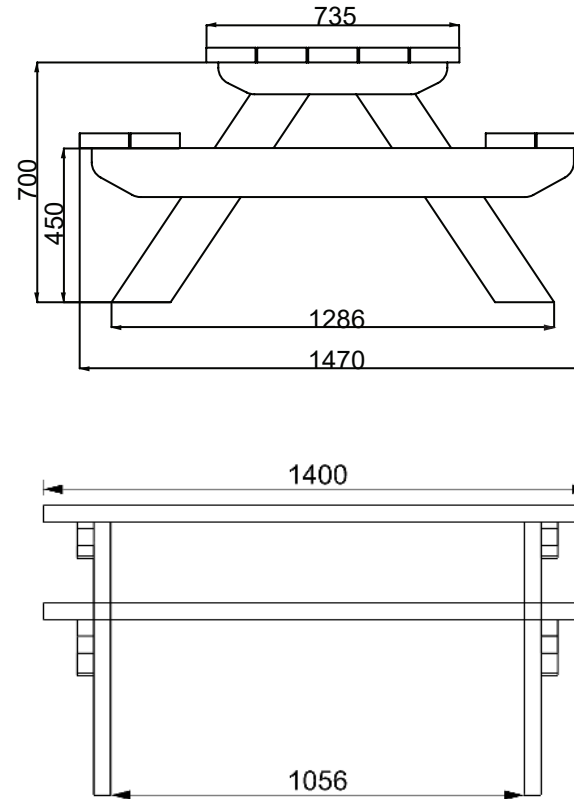


# 1.4M PICNIC TABLE (UMBRELLA)(FREESTANDING)

**creative**  
**play**

PT106



*\*Measurements in millimetres*

## PRODUCT INFORMATION

**PRODUCT CODE** PT106

**DIMENSIONS LXWXH** 1.4M X 1.5M X 0.7M

**AGE RANGE** 3+

**SPARE PART AVAILABILITY** 2-4 WEEKS

## TECHNICAL INFORMATION

**FREE FALL HEIGHT** N/A

**MINIMUM AREA** 1.4MX1.5M

**MIN. SURFACING AREA** N/A

**STANDARDS COMPLIANCE** BSEN1176

## DOWNLOADS

**PRODUCT WEBPAGE**



**MAINTENANCE INFORMATION**



*\*Information correct at time of creation*