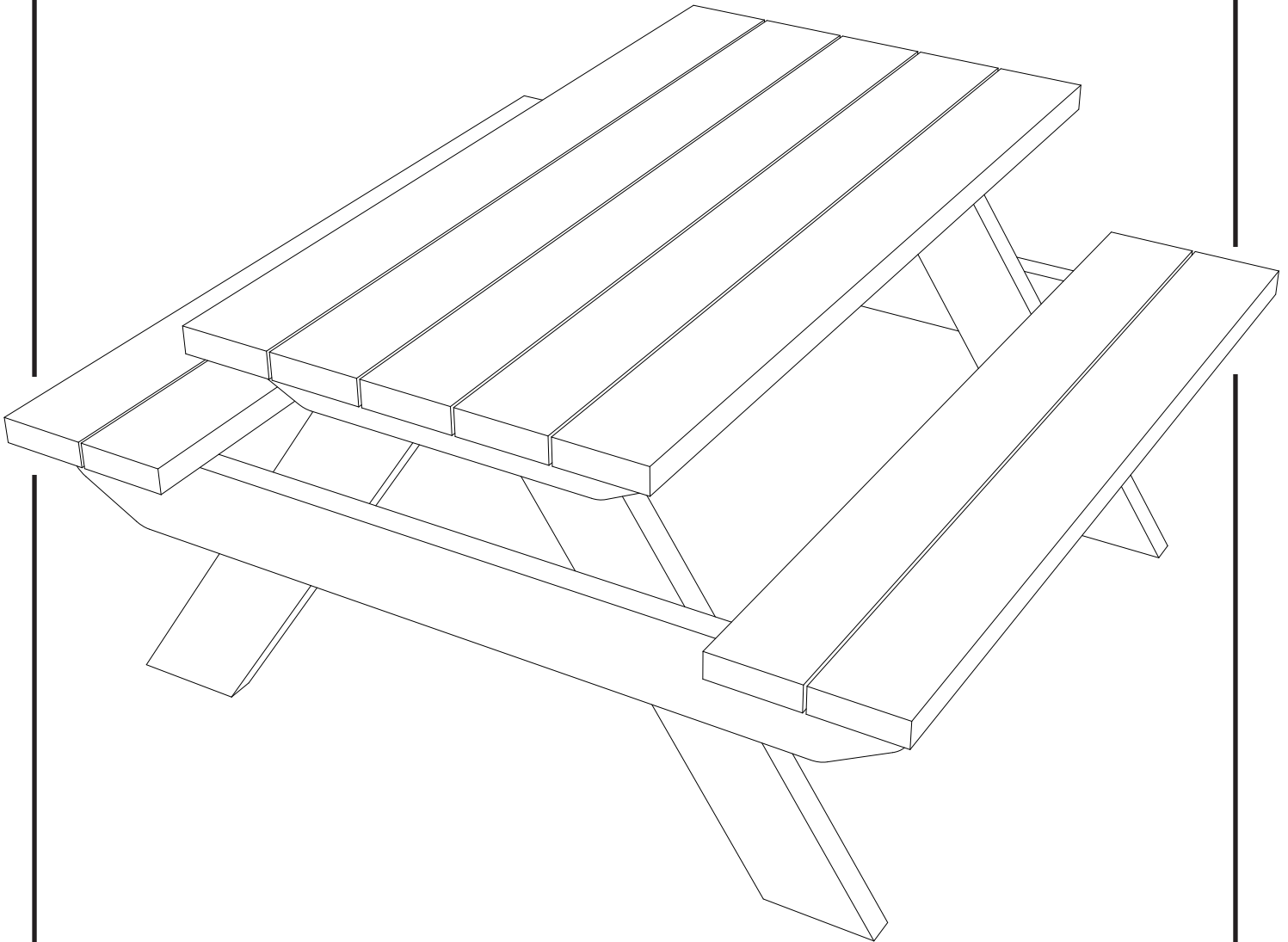


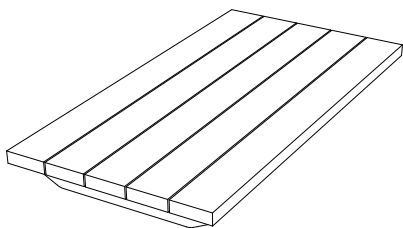
PT105 - 1.4M PICNIC TABLE

Installation Instructions

**creative
play**



PARTS REQUIRED



1.4M TABLE TOP

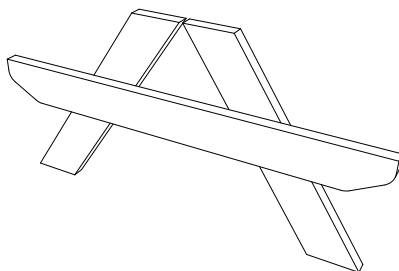
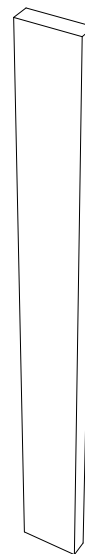
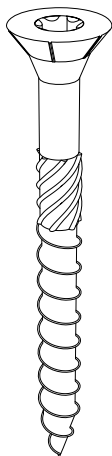


TABLE LEGS (X2)

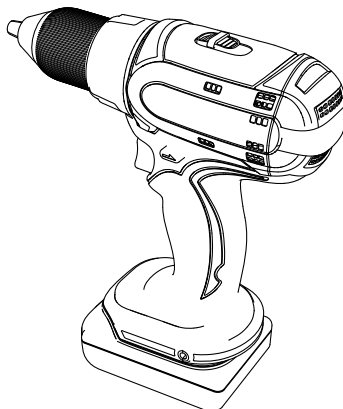
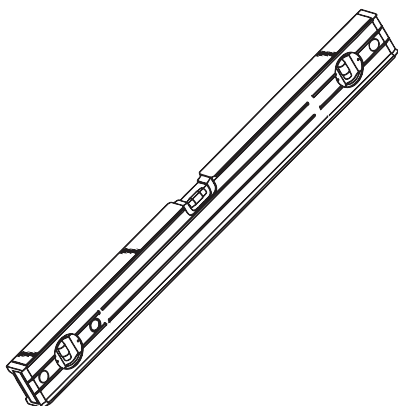


SEAT TIMBERS (X4)



M8X80CSK (X24)

TOOLS REQUIRED

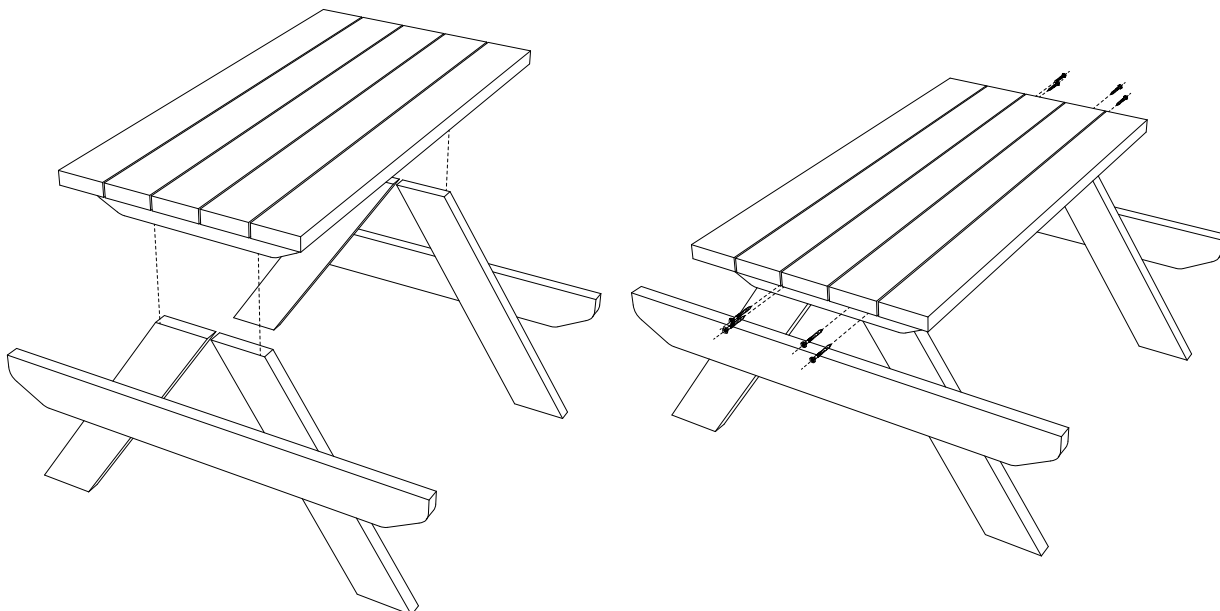


INSTALLATION INSTRUCTIONS

1

FIX TABLE TOP TO TABLE LEGS

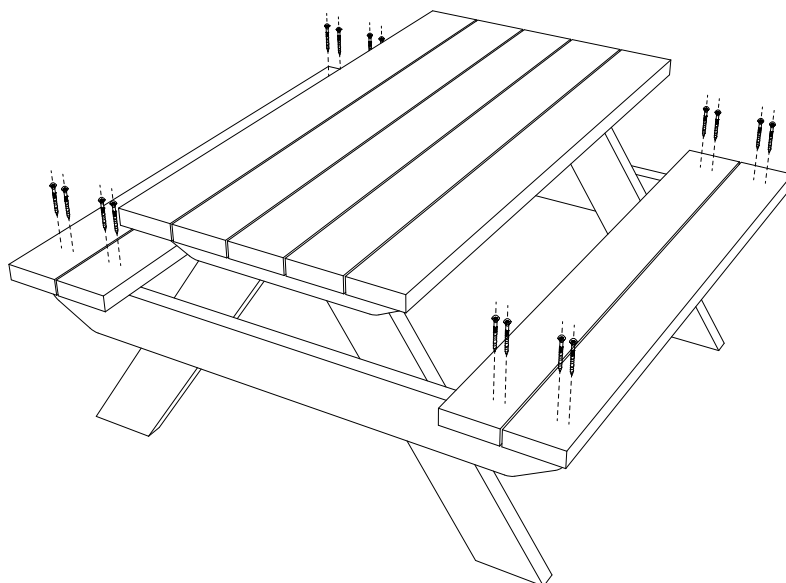
USING M8X80CSK - ENSURE LEGS SIT ON THE INSIDE OF THE TABLE TOP SUPPORTS



2

FIX SEATING TIMBERS TO TABLE TOP

USING M8X80CSK



ADDITIONAL DIMENSIONS

