

# MINI MOUND TUNNEL

## Installation Instructions

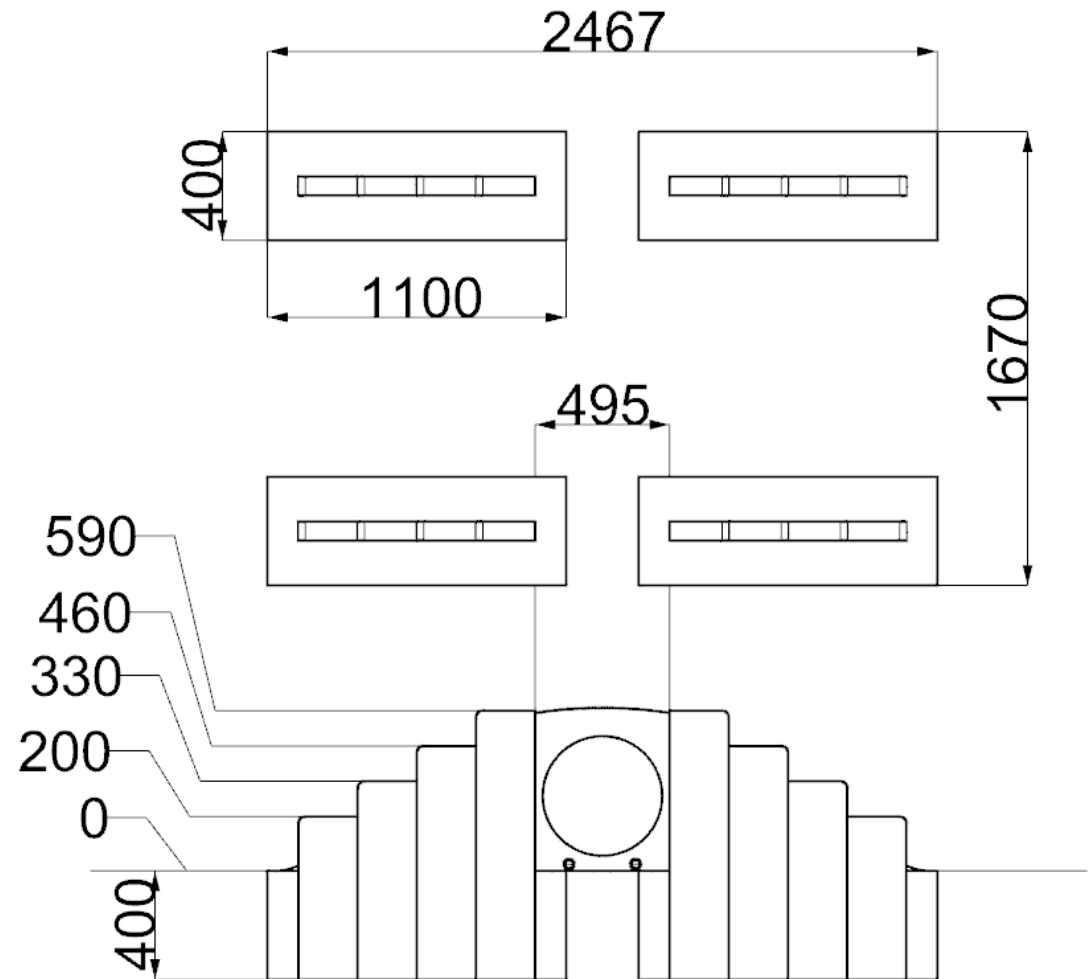
creative  
play

### NOTES:

#### SURFACING INFO:

'CURVED LENGTH' - 2.71M

WIDTH - 1.2M

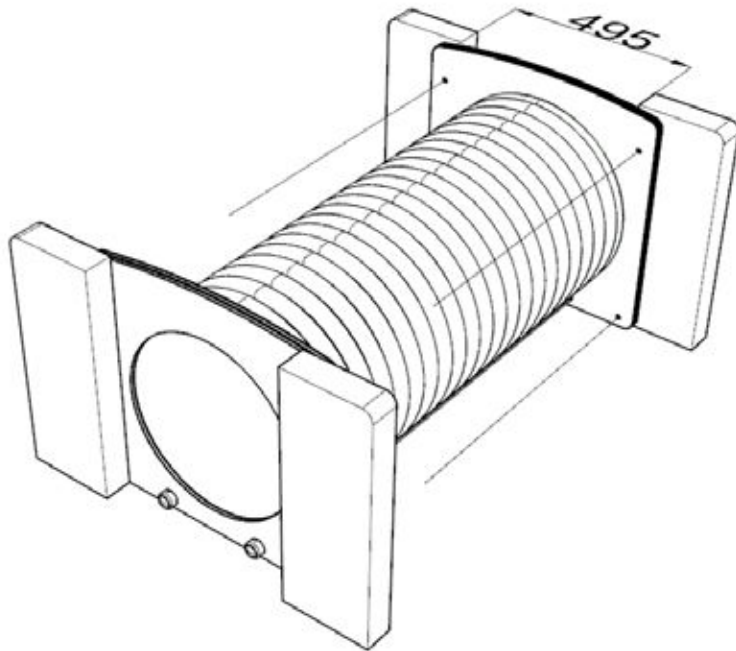


### INSTALLATION

# **MINI MOUND TUNNEL**

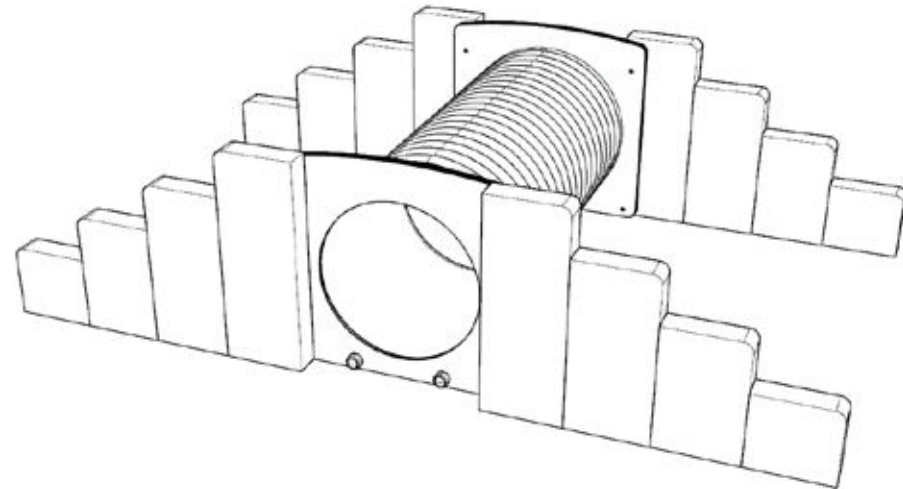
## ***Installation Instructions***

**creative  
play**



### **1 - ATTACH MMT1 TIMBERS TO THE PRE-ASSEMBLED TUBE TUNNEL**

*USING M8X80 WOOD SCREWS*



### **2 - POSITION THE REMAINING MMT TIMBERS**

*THE TIMBERS CAN BE FURTHER SECURED TOGETHER USING 180 SCREWS - FROM THE BACK 'SKEW' SCREW*

# **MINI MOUND TUNNEL**

## ***Installation Instructions***

**creative  
play**

