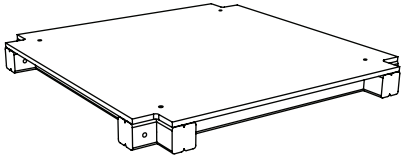
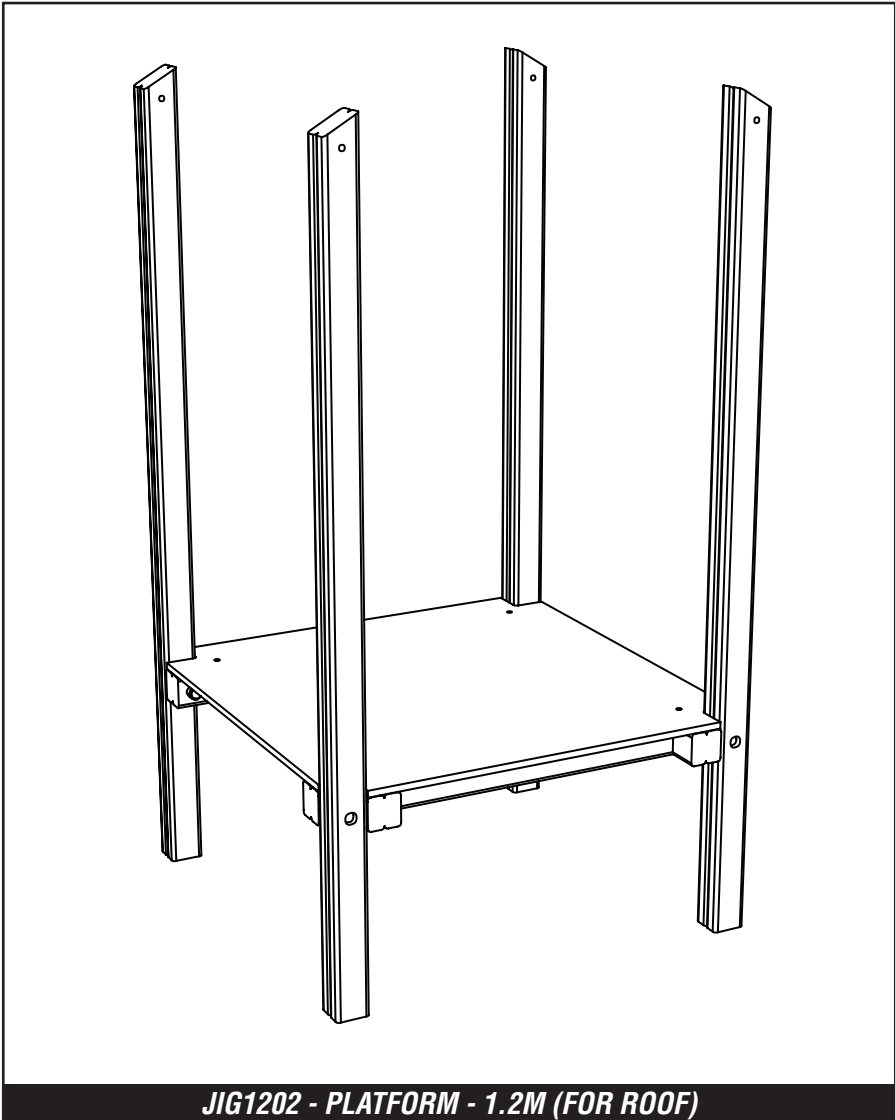


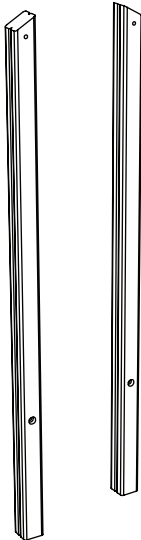
JIG1202 - PLATFORM - 1.2M

Installation Instructions



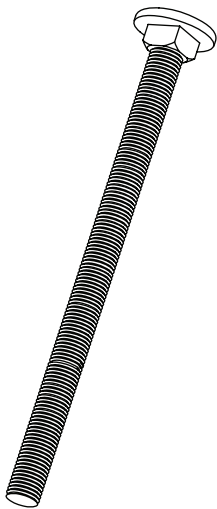
x1

JIGSAW - FLOOR ASSEMBLY



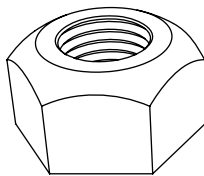
x4

JIG1202-A x2 / JIG1202-B x2



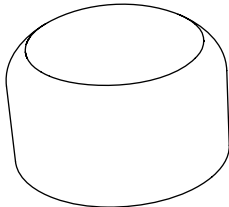
x4

274.M12X180



x4

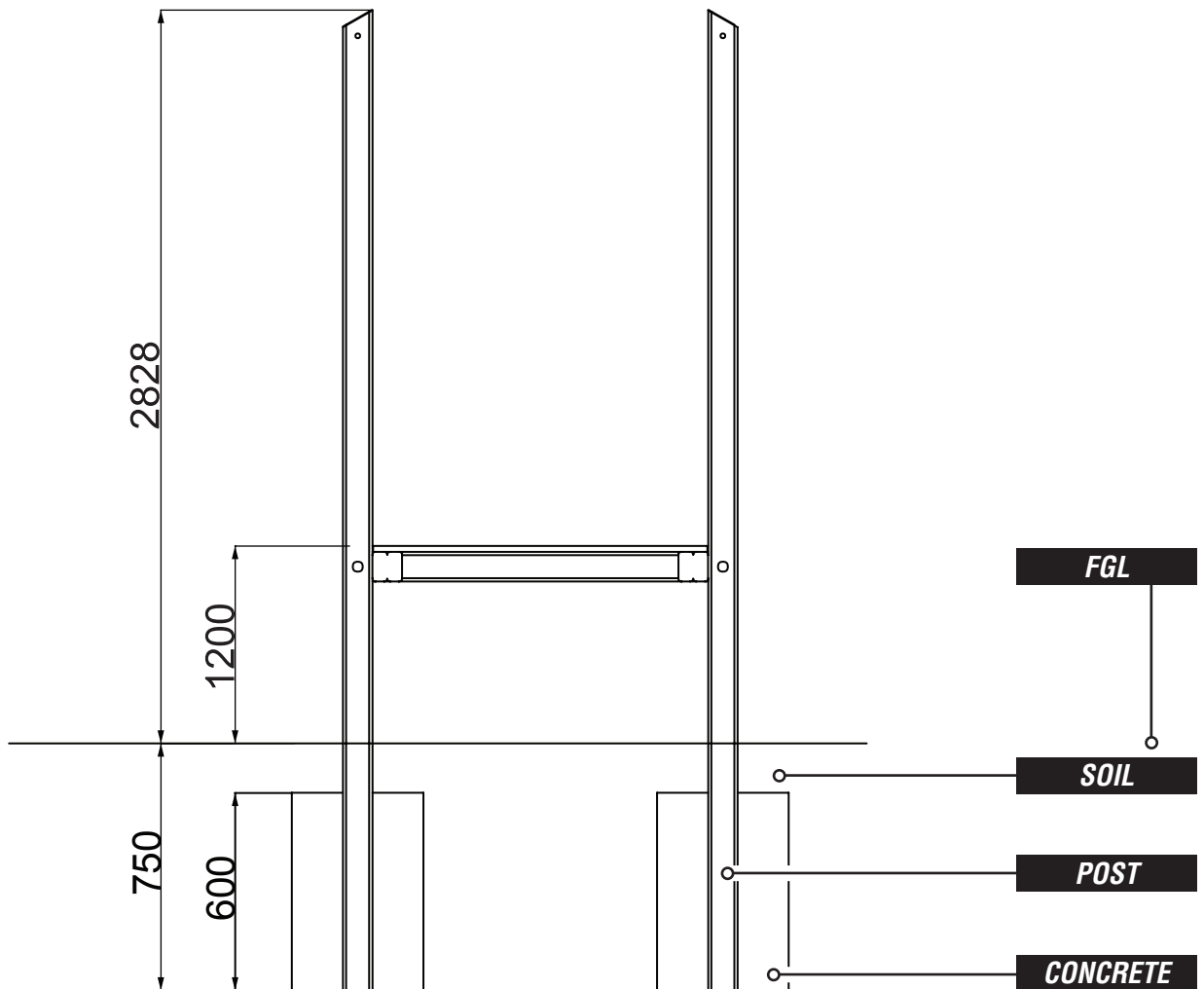
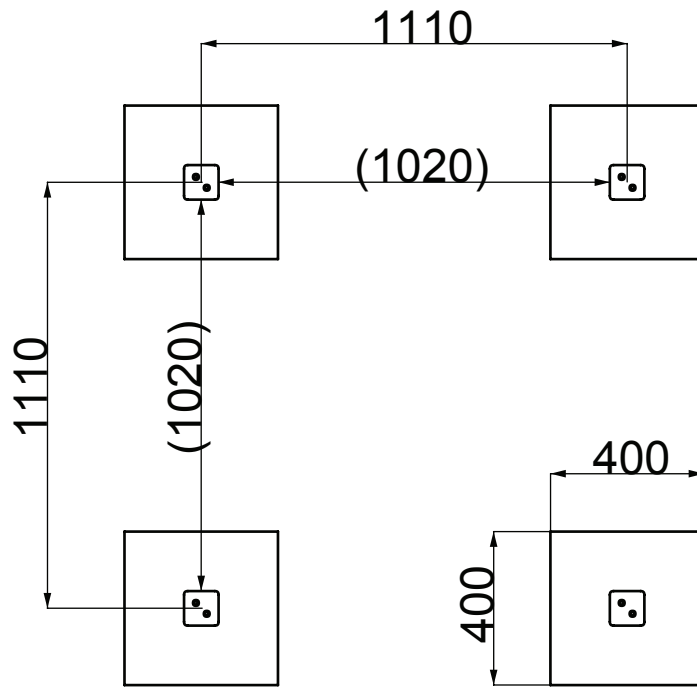
656.M12



x4

102003-01

FOUNDATIONS



INSTALLATION INSTRUCTIONS

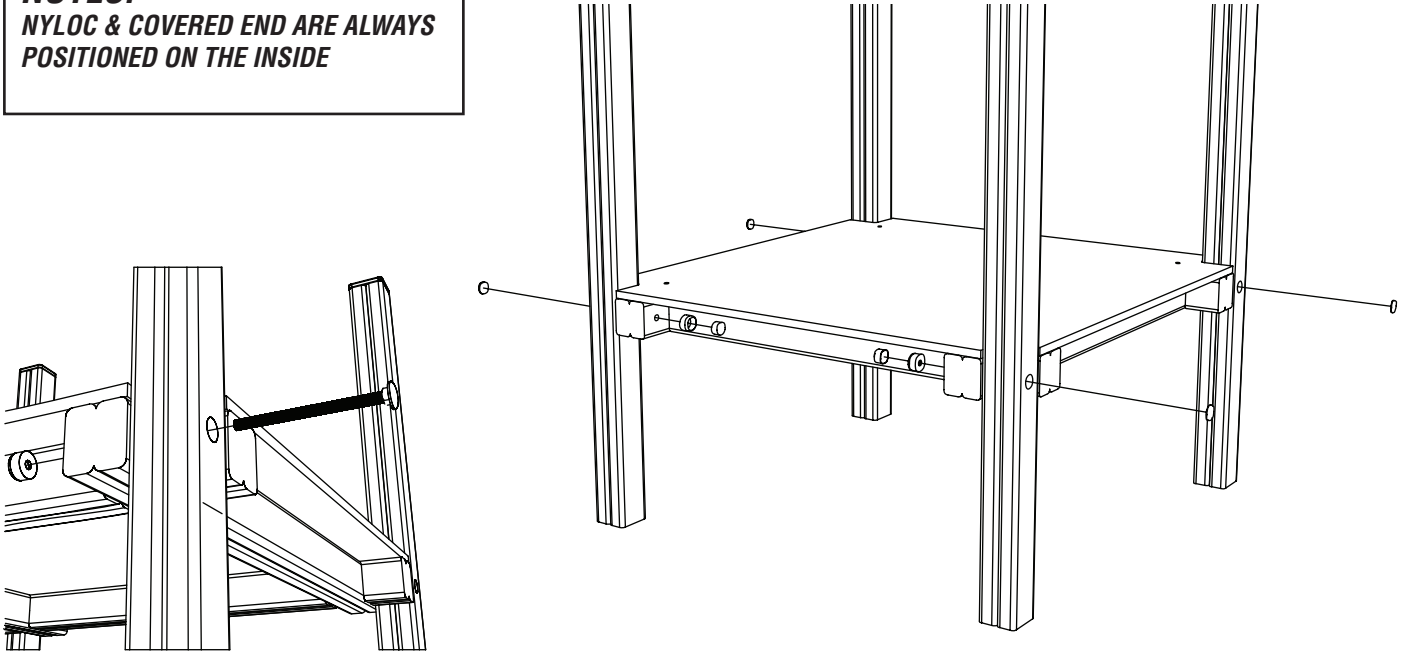
1

ATTACH FLOOR ASSEMBLY TO JIG1202-A / B TIMBERS

USING 274.M12X180 / 656.M12 / 102003-01 - QUANTITY X 4

NOTES:

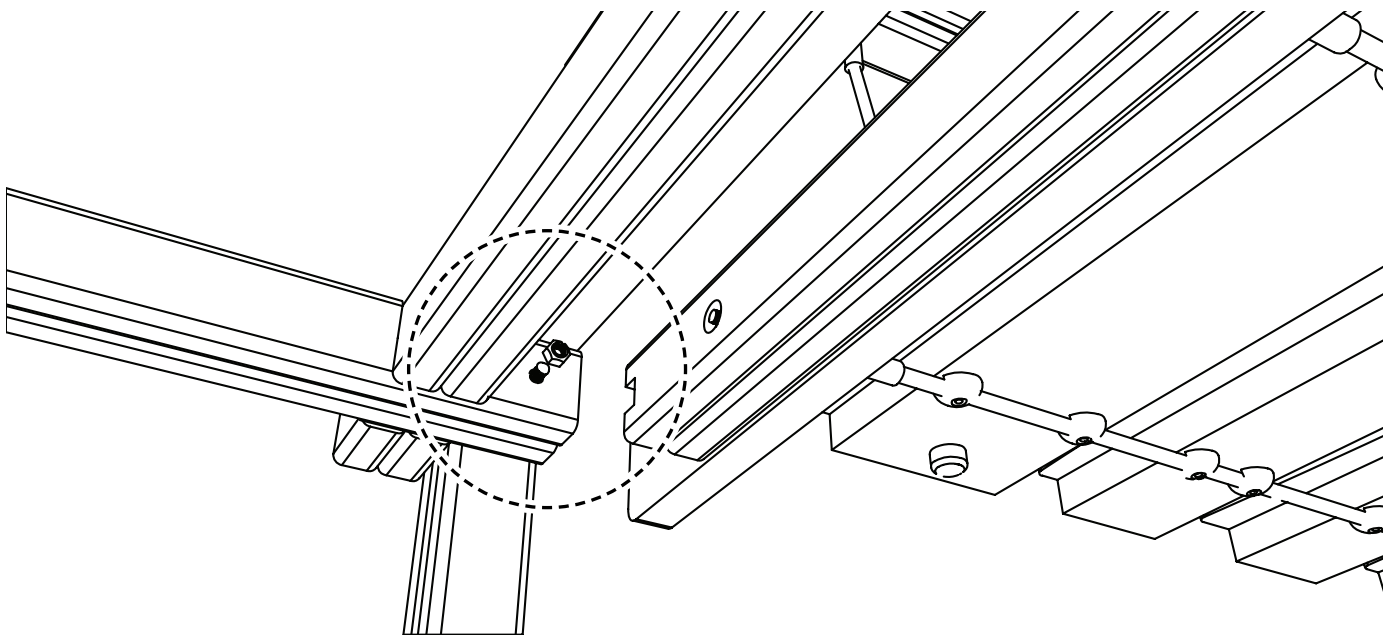
NYLOC & COVERED END ARE ALWAYS
POSITIONED ON THE INSIDE



2

PLEASE NOTE - END CAPS MAY NOT BE REQUIRED

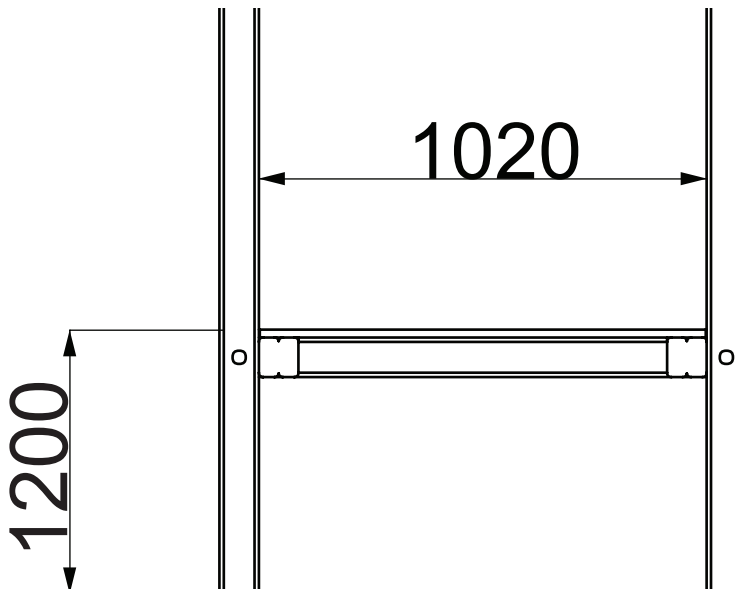
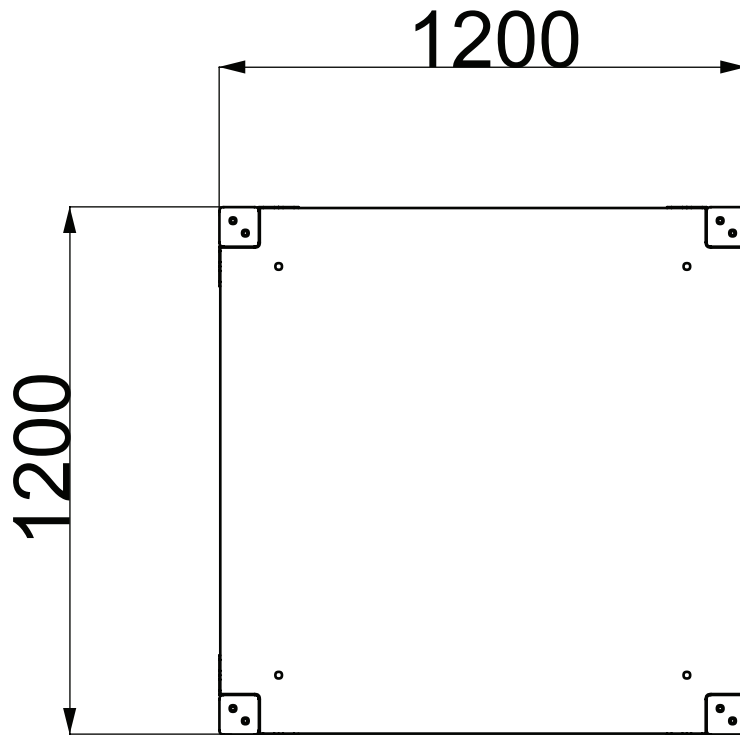
SOME ATTACHMENT PARTS MEANS END CAPS ARE NOT REQUIRED



NOTES:

TIMBER SUPPORT IS CUT TO FIT AROUND THE NYLOC - CIRCLED ABOVE

ADDITIONAL DIMENSIONS

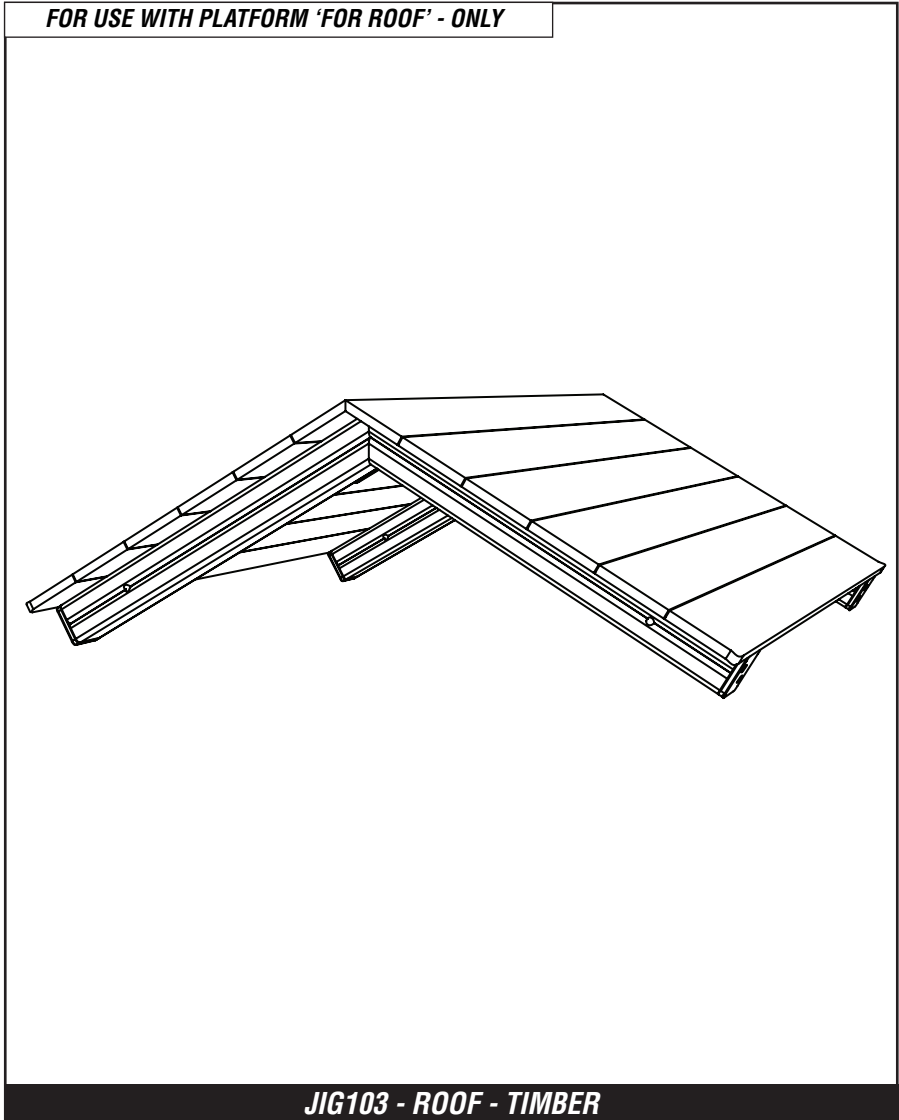


JIG103 - ROOF - TIMBER

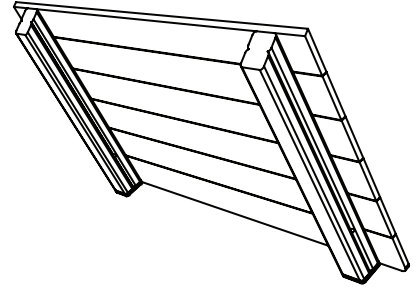
Installation Instructions



FOR USE WITH PLATFORM 'FOR ROOF' - ONLY

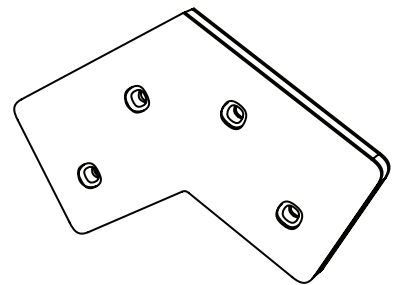


JIG103 - ROOF - TIMBER



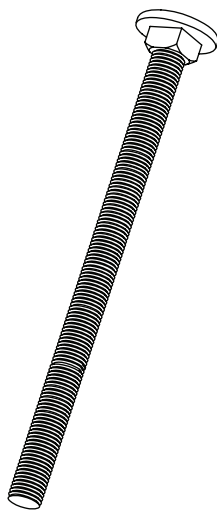
x2

JIG103 - ROOF ASSEMBLY



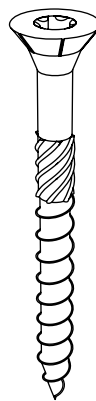
x2

JIGSAW - ROOF BRACKET



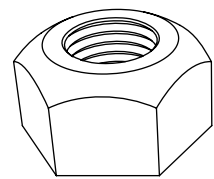
x4

274.M12X200



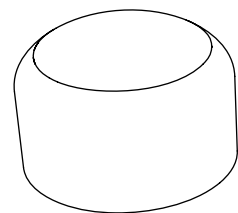
x8

97.M8X80CSK



x4

656.M12



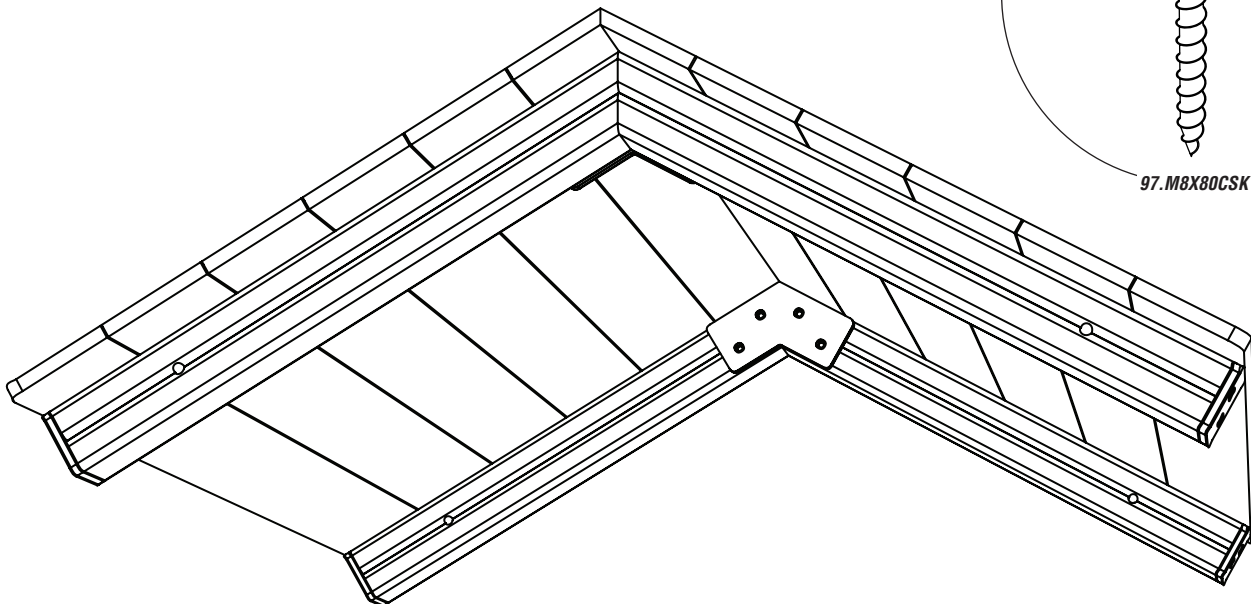
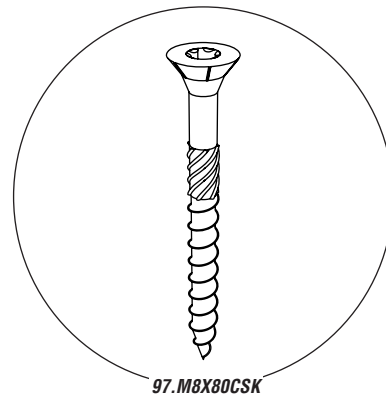
x4

102003-01

INSTALLATION INSTRUCTIONS

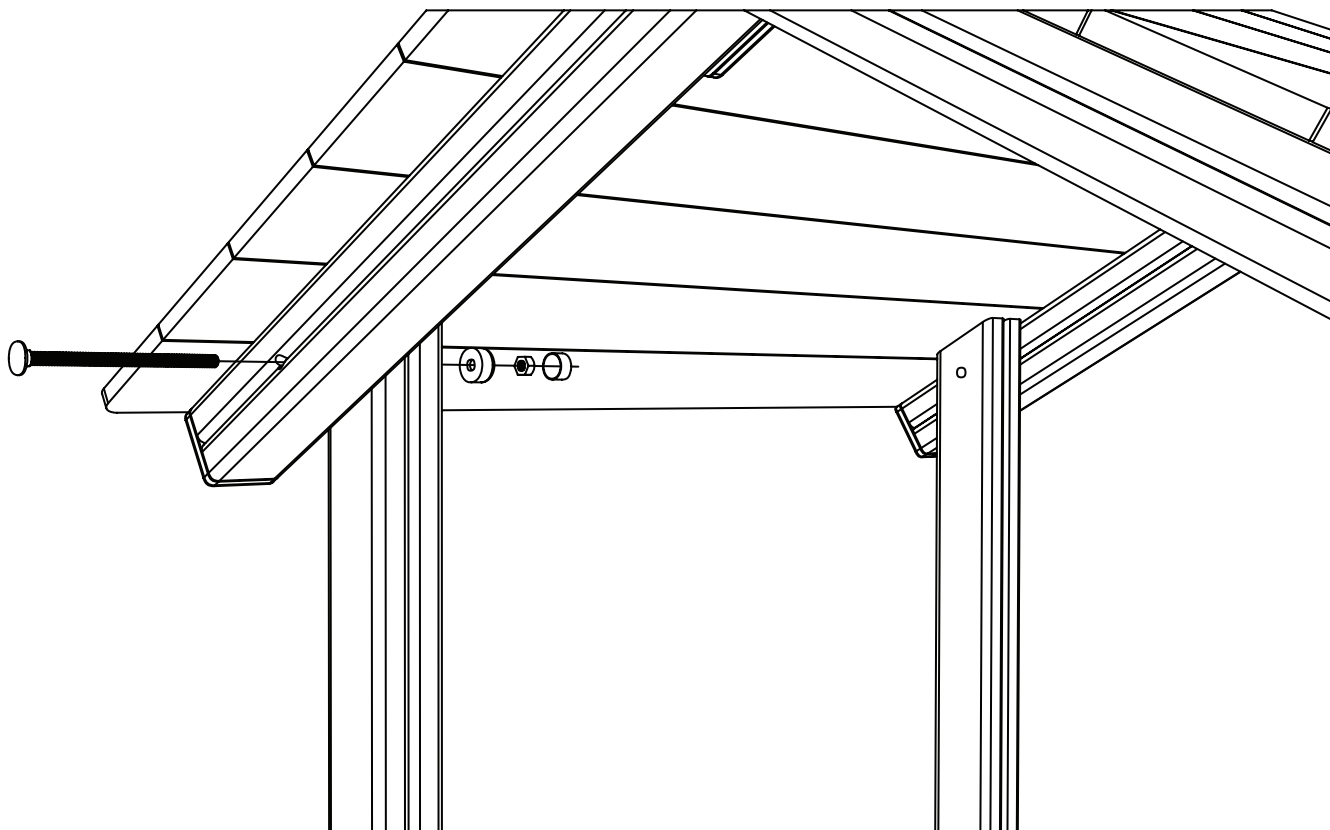
1 ATTACH ROOF ASSEMBLIES USING ROOF BRACKETS

USING - 97.M8X80CSK - QUANTITY X 8 (4 EACH BRACKET)



2 ATTACH ASSEMBLED ROOF TO PLATFORM UPRIGHTS

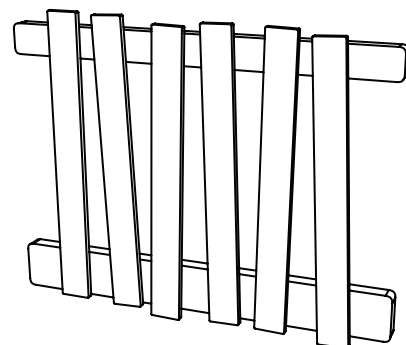
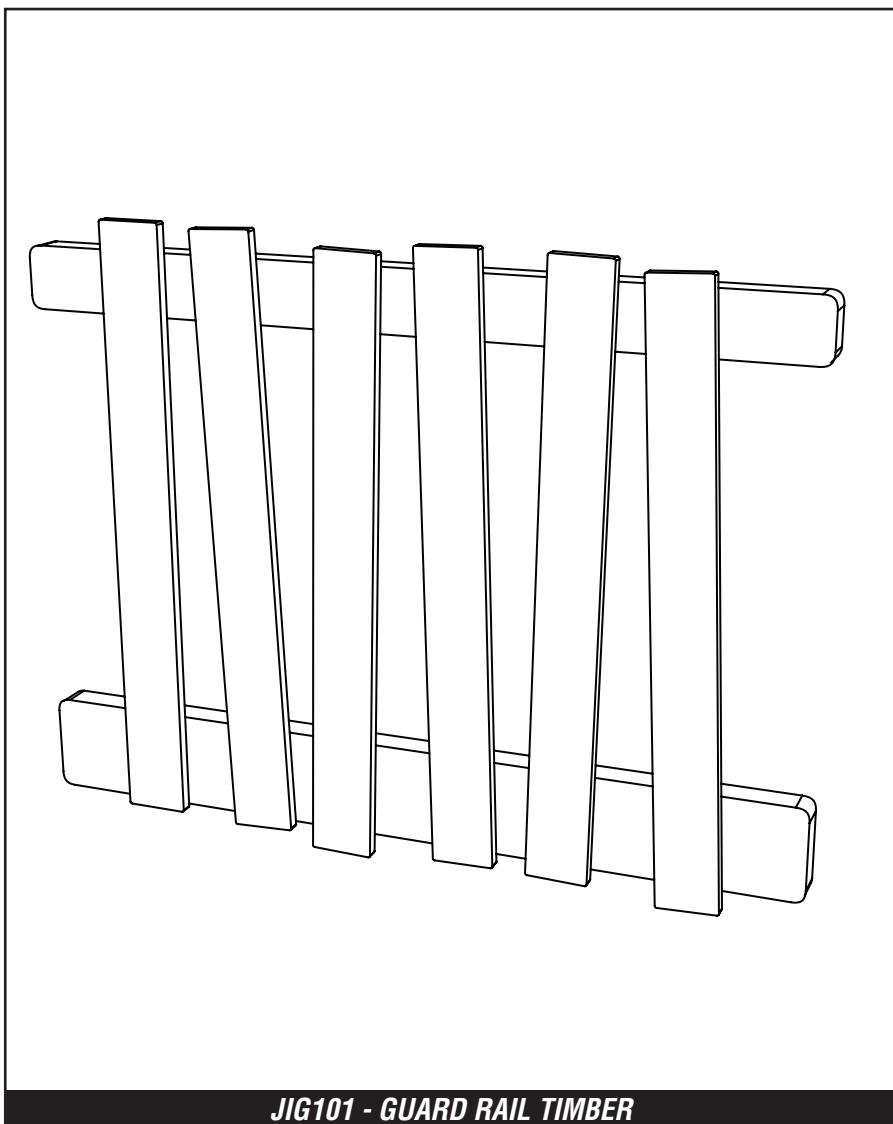
USING - 274.M12X200 / 102003-01 / 656.M12 - X 4



JIG101 - GUARD RAIL - TIMBER

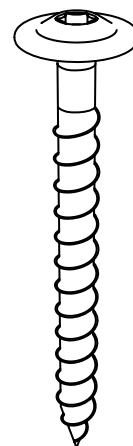
Installation Instructions

creative
play



x1

GUARD RAIL ASSEMBLY

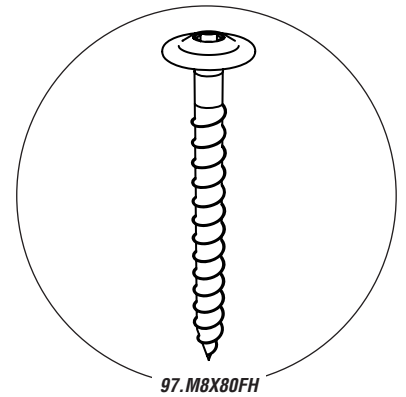
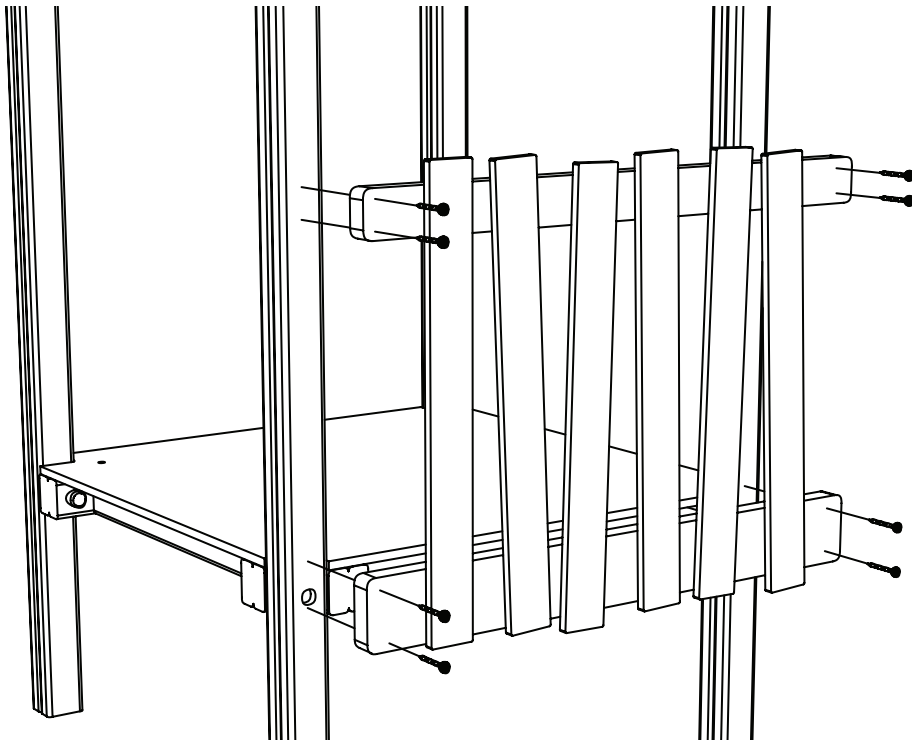


x8

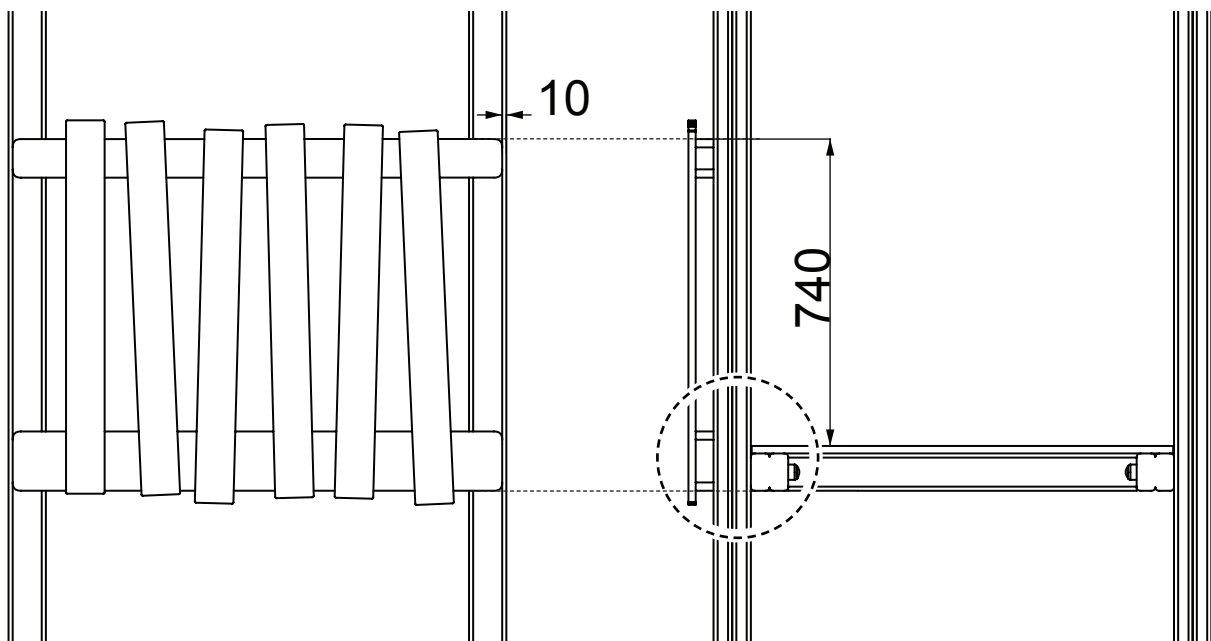
97.M8X80FH

INSTALLATION INSTRUCTIONS

1 ATTACH GUARD RAIL TO THE PLATFORM UPRIGHT TIMBERS USING - 97.M8X80FH - QUANTITY X 8



2 PLEASE NOTE POSITION THE GUARD RAIL / PANEL AS SHOWN BELOW



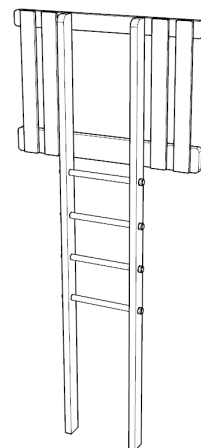
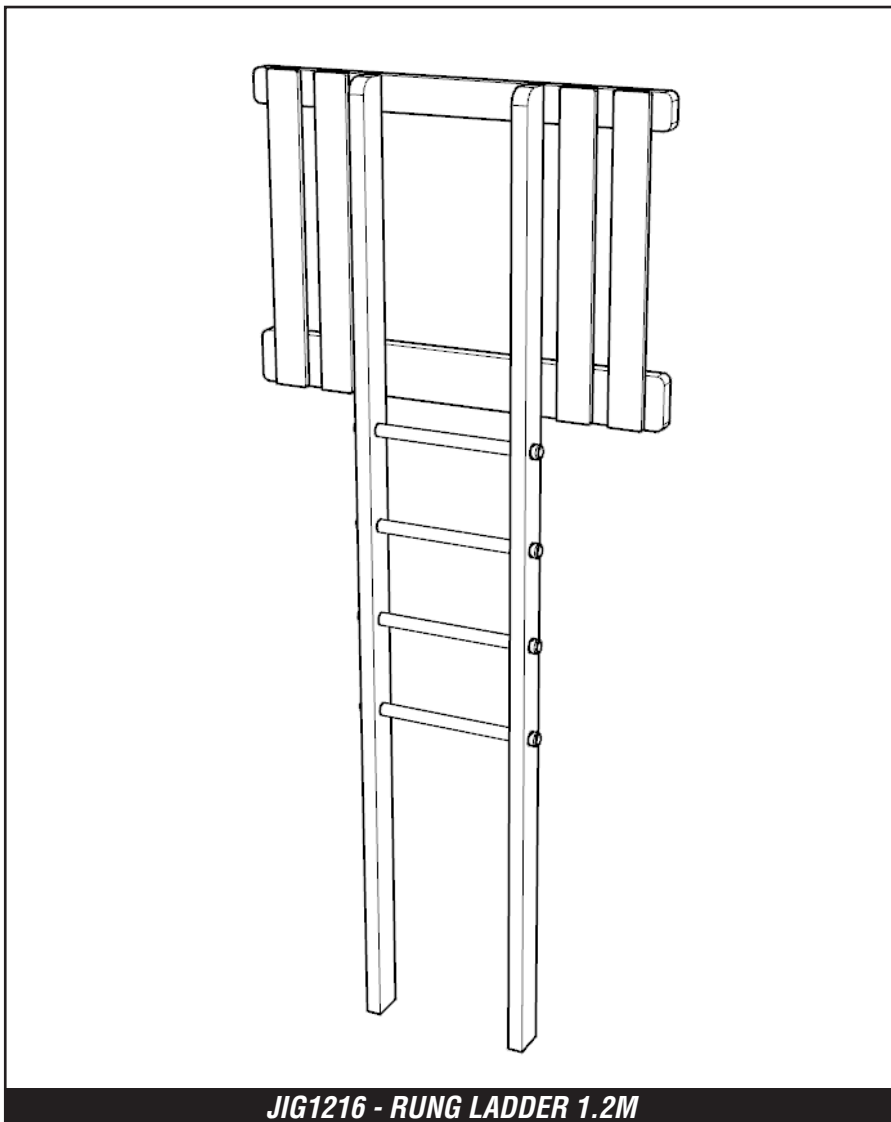
NOTES:

LOWER SUPPORT IS POSITIONED FLUSH WITH THE FLOOR SUPPORT FRAME - CIRCLED ABOVE
ENSURE THE GUARD RAIL IS POSITIONED 10MM IN FROM THE EDGE OF THE UPRIGHT TIMBER

JIG1216 - RUNG LADDER - 1.2M

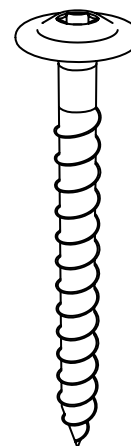
Installation Instructions

creative
play



x1

RUNG LADDER ASSEMBLY



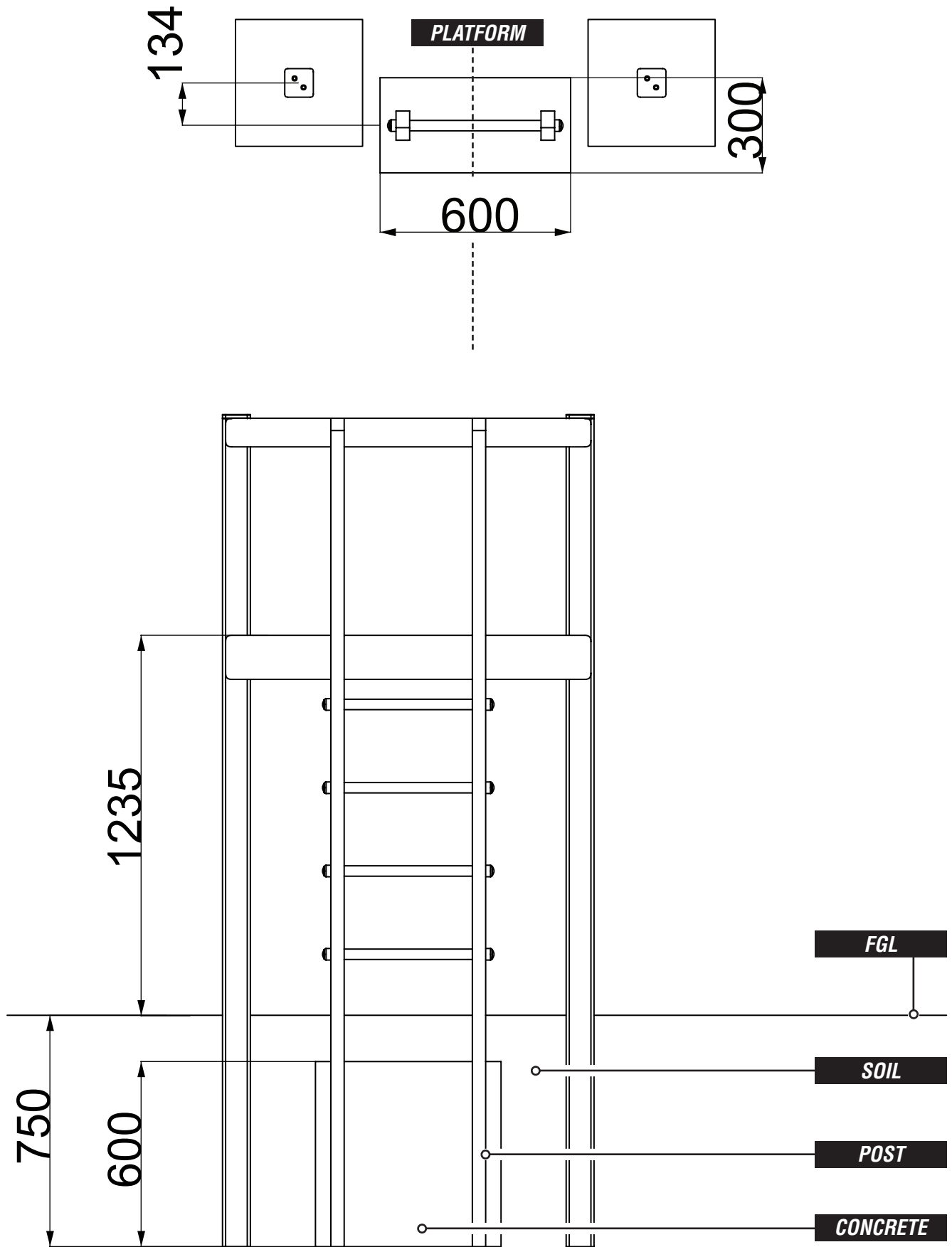
x8

97.M8X80FH

NOTES:

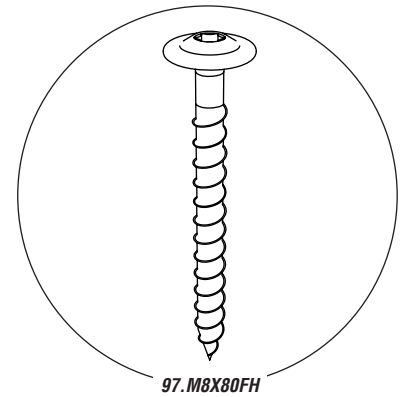
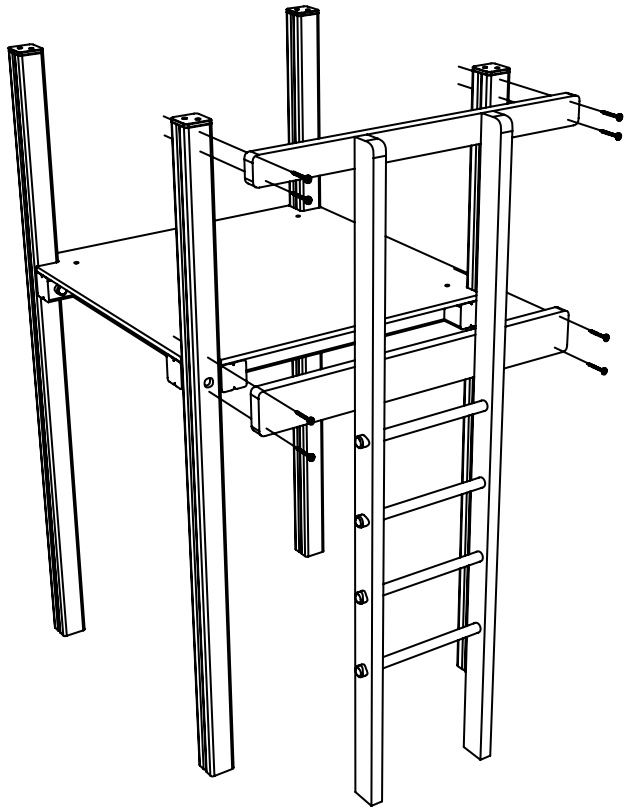
* GUARD RAIL SLATS ARE A NEW ADDITION TO THE RUNG LADDER AND ARE PRE-ASSEMBLED, INSTALL AS PER USUAL STEPS BELOW

FOUNDATIONS

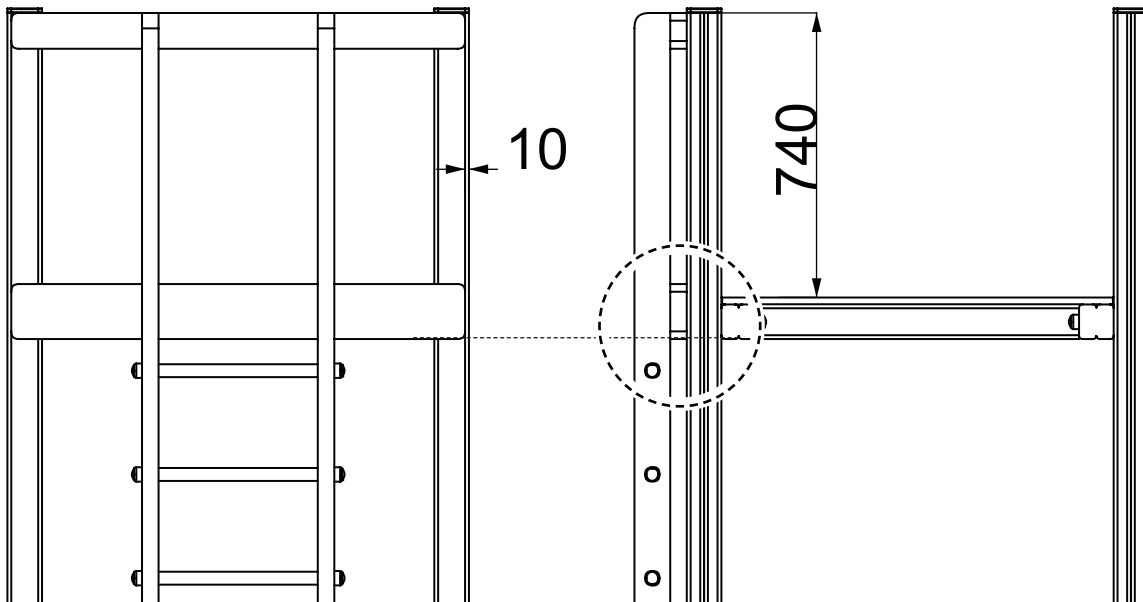


INSTALLATION INSTRUCTIONS

1 ATTACH RUNG LADDER TO THE PLATFORM UPRIGHT TIMBERS
USING - 97.M8X80FH - QUANTITY X 8



2 PLEASE NOTE
POSITION THE RUNG LADDER AS SHOWN BELOW



NOTES:

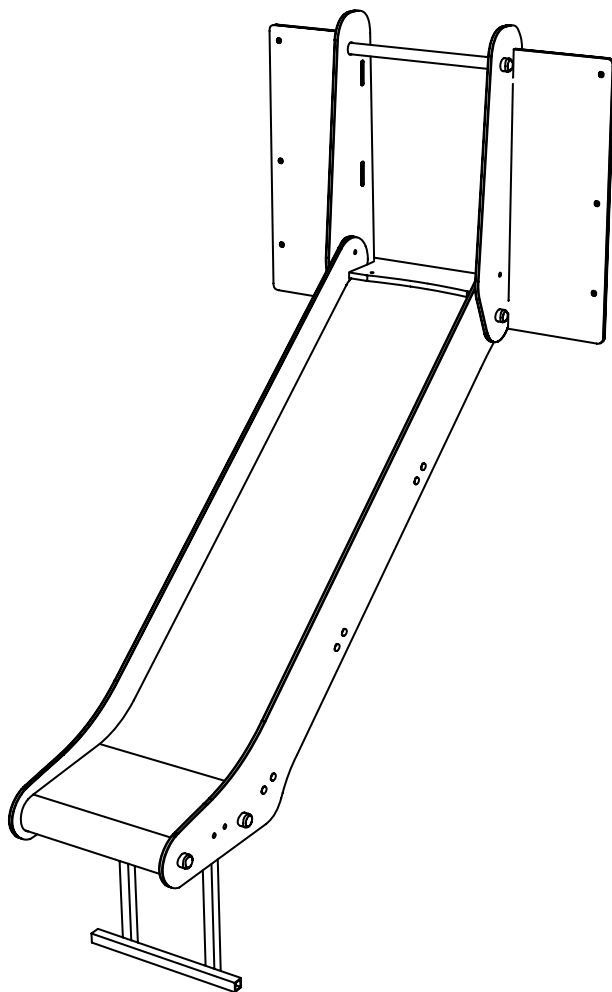
LOWER SUPPORT IS POSITIONED FLUSH WITH THE FLOOR SUPPORT FRAME - CIRCLED ABOVE
ENSURE THE SUPPORTS ARE POSITIONED 10MM IN FROM THE EDGE OF THE UPRIGHT TIMBER

JIG1211 - SLIDE - 1.2M PLATFORM

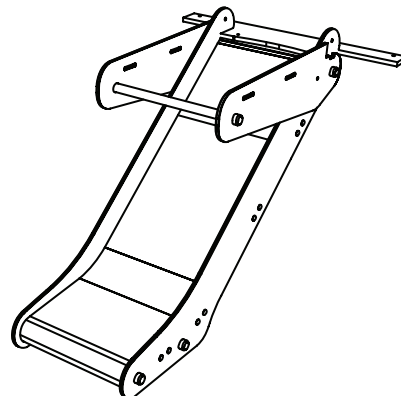
Installation Instructions



FOR USE WITH PLATFORM 1.2M - ONLY

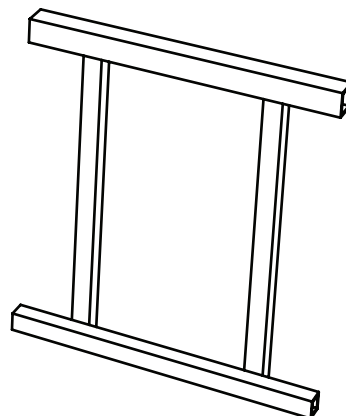


JIG1211 - SLIDE - 1.2M PLATFORM



x1

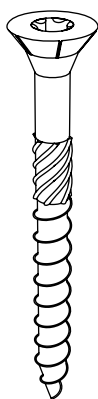
JIG1211 - SLIDE ASSEMBLY



*inc fittings

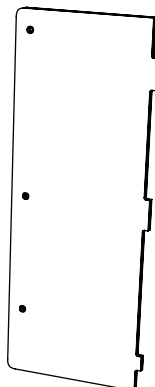
x1

CP - SLIDE SUPPORT



x8

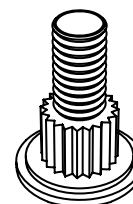
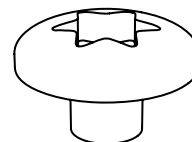
97.M8X80CSK



(1 x left / 1 x right)

x2

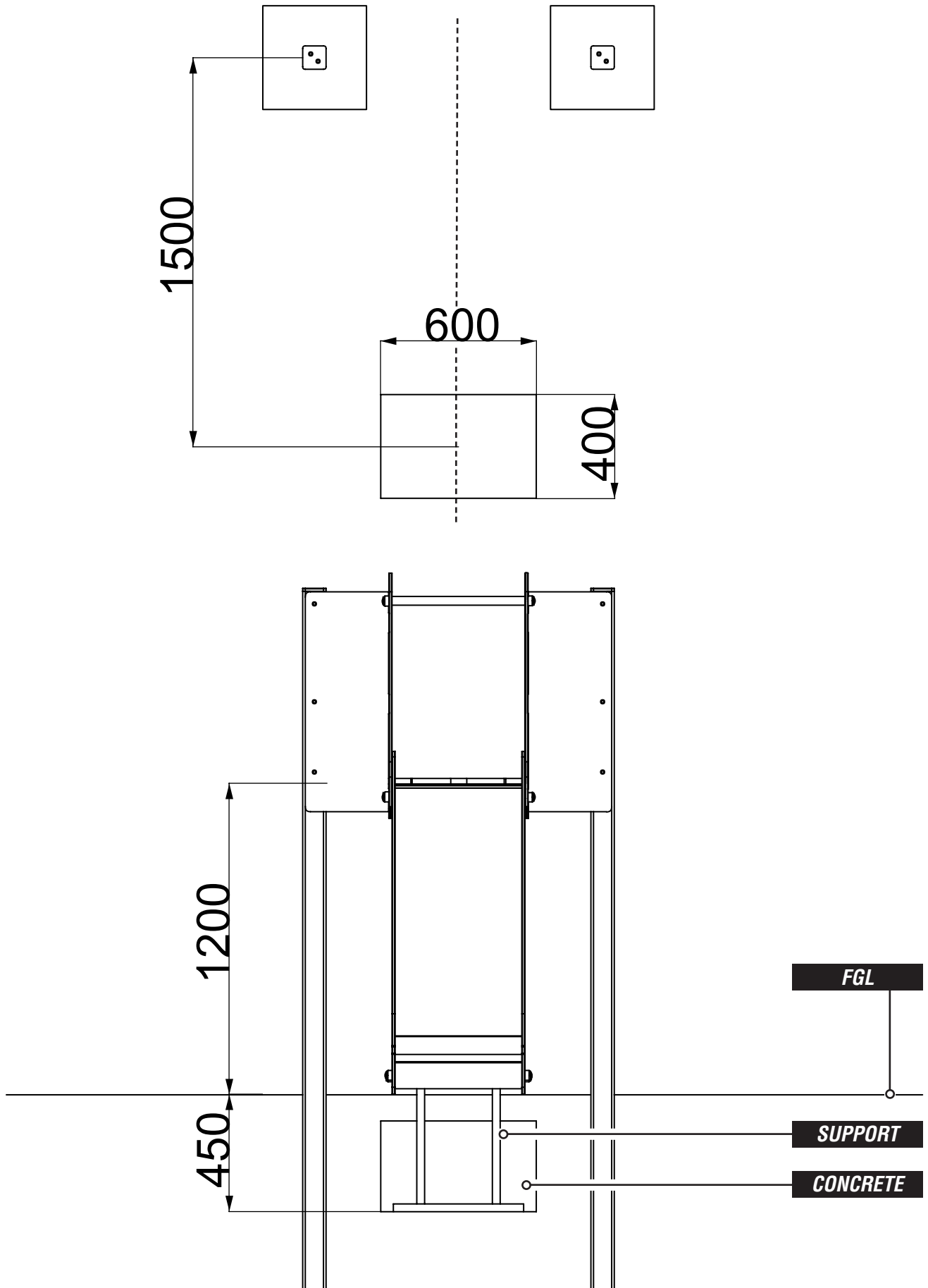
SLIDE PANEL



x2

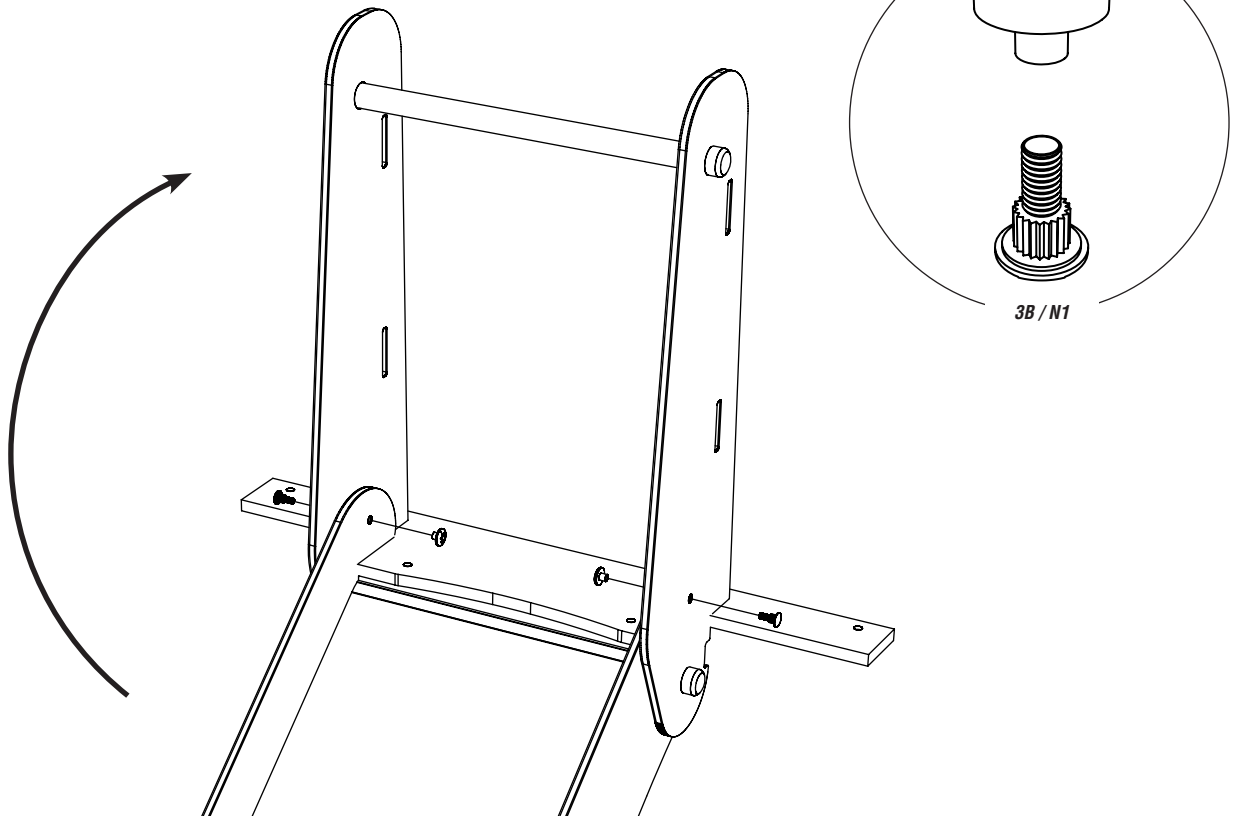
TORKTAINER (SET) 3B/N1

FOUNDATIONS

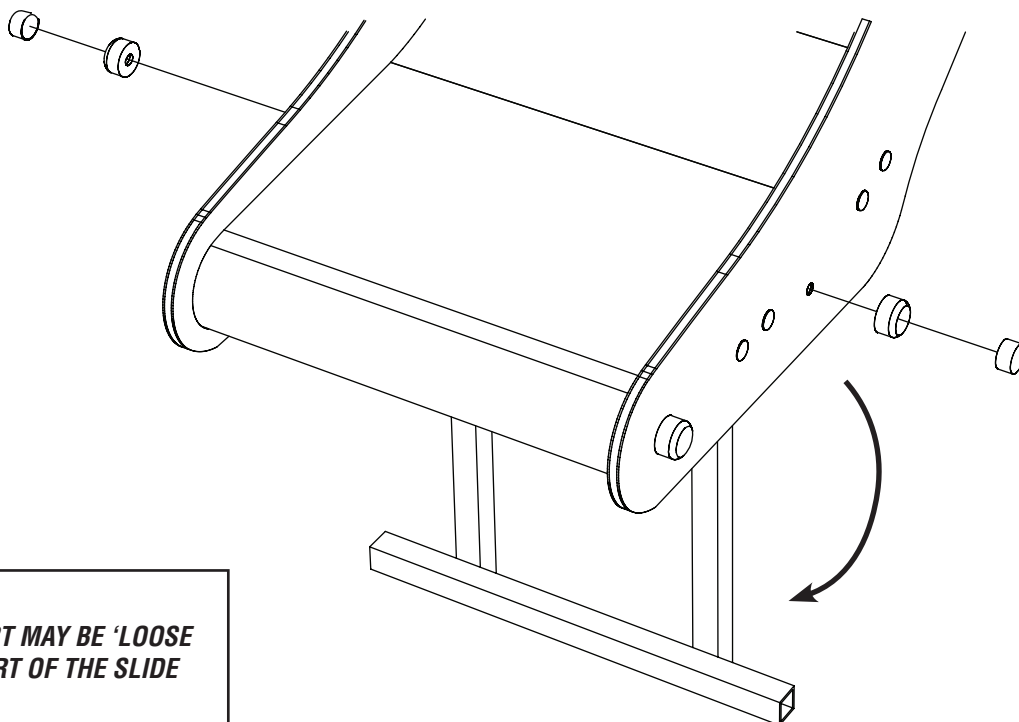


INSTALLATION INSTRUCTIONS

- 1** UNFOLD THE THE SLIDE ASSEMBLY AND SECURE
USING - TORKTAINERS 3B / N1



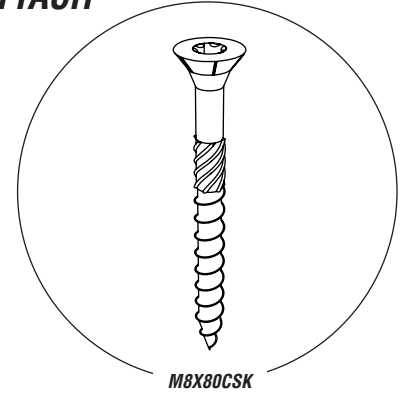
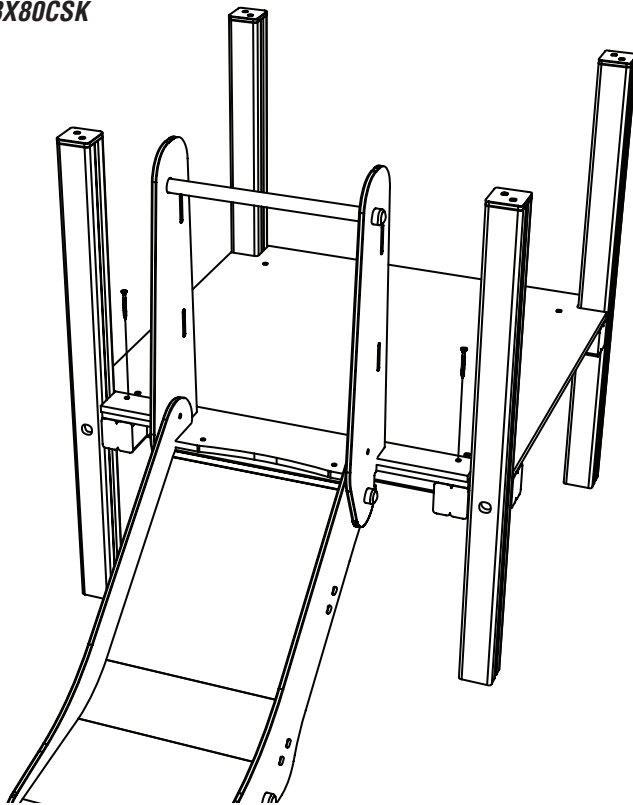
- 2** ATTACH THE SLIDE SUPPORT
USING PRE-ATTACHED FITTINGS



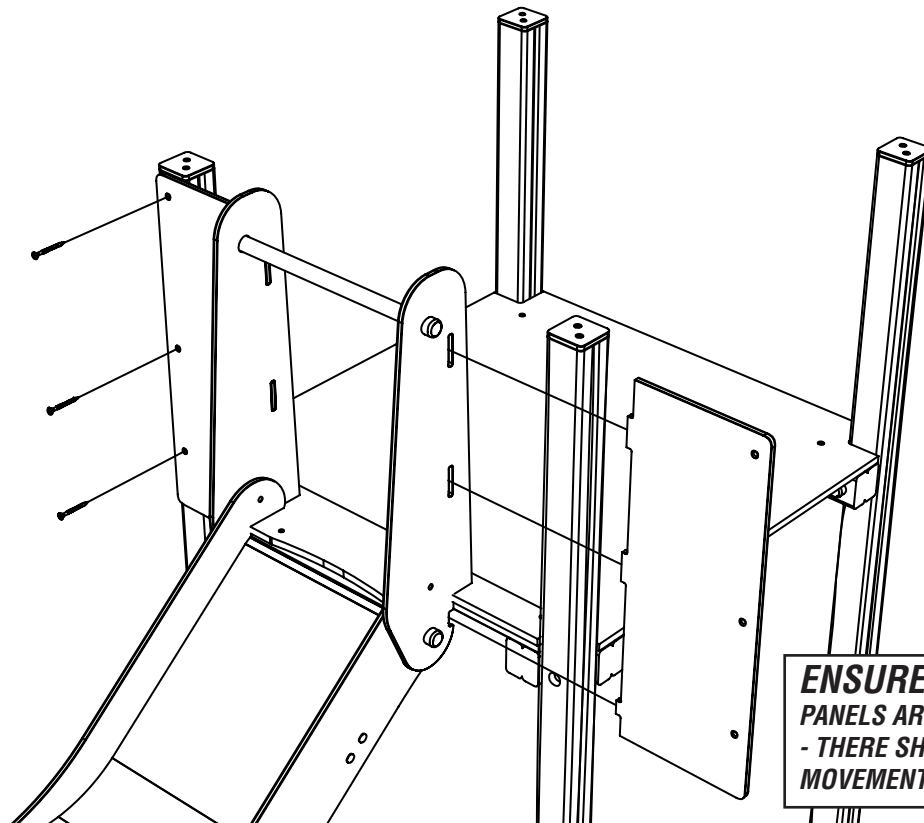
NOTES:
SLIDE SUPPORT MAY BE 'LOOSE
FITTED' AS PART OF THE SLIDE
ASSEMBLY

INSTALLATION INSTRUCTIONS

3 POSITION THE SLIDE ONTO THE 1200MM PLATFORM & ATTACH
USING - M8X80CSK



4 ATTACH THE SLIDE PANELS TO THE PLATFORM UPRIGHTS
USING - M8X80CSK



ENSURE:
PANELS ARE FITTED AS SHOWN
- THERE SHOULD BE NO EXCESS
MOVEMENT PRESENT