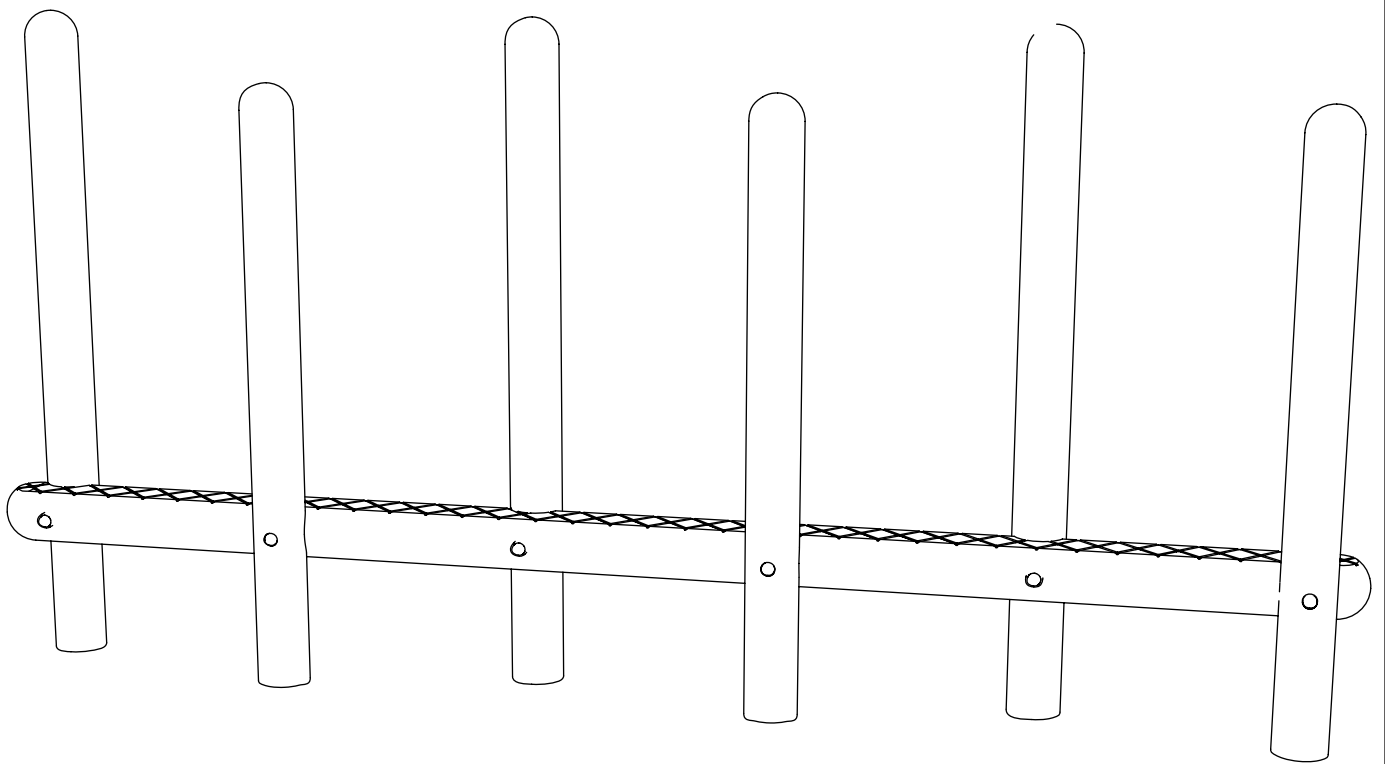


**CH144-R - WEAVING BEAM**  
**Installation Instructions**

**creative  
play**

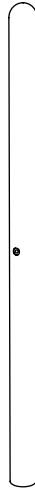


# **PARTS REQUIRED**

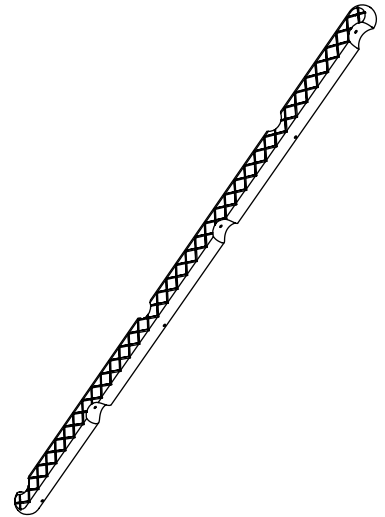
---



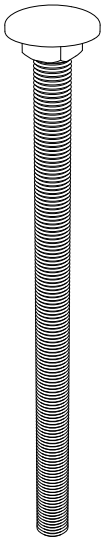
**R-144A [X3]**



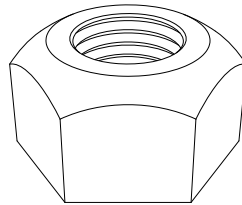
**R-144B [X3]**



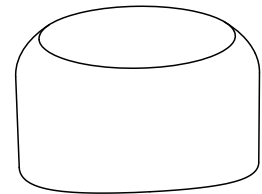
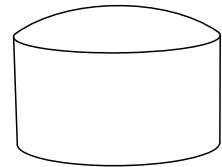
**R-144C [X1]**



**M12 X 220 BOLTS [X6]**



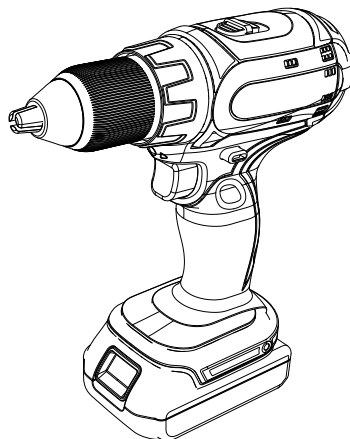
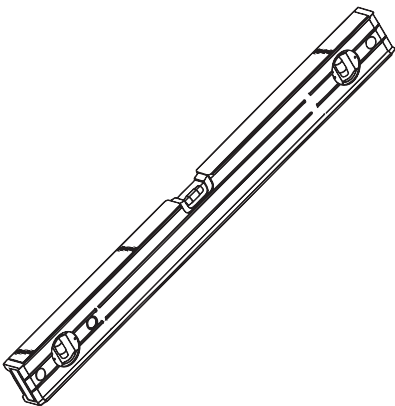
**M12 NYLOC [X6]**



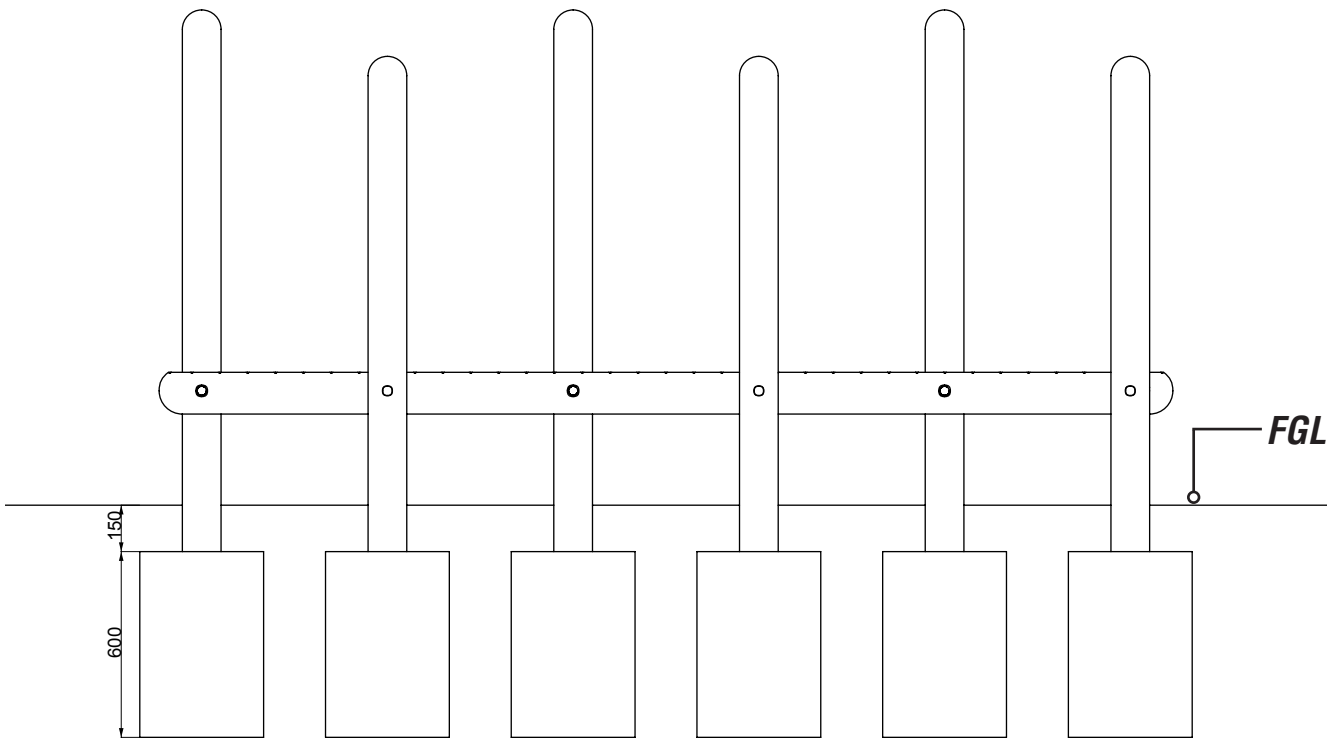
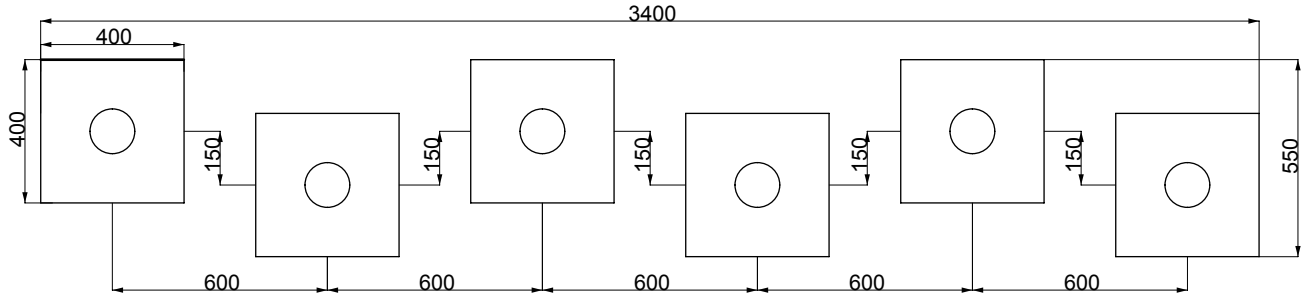
**COVERED END R-60 [X6]**

# **TOOLS REQUIRED**

---



# FOUNDATION DETAIL

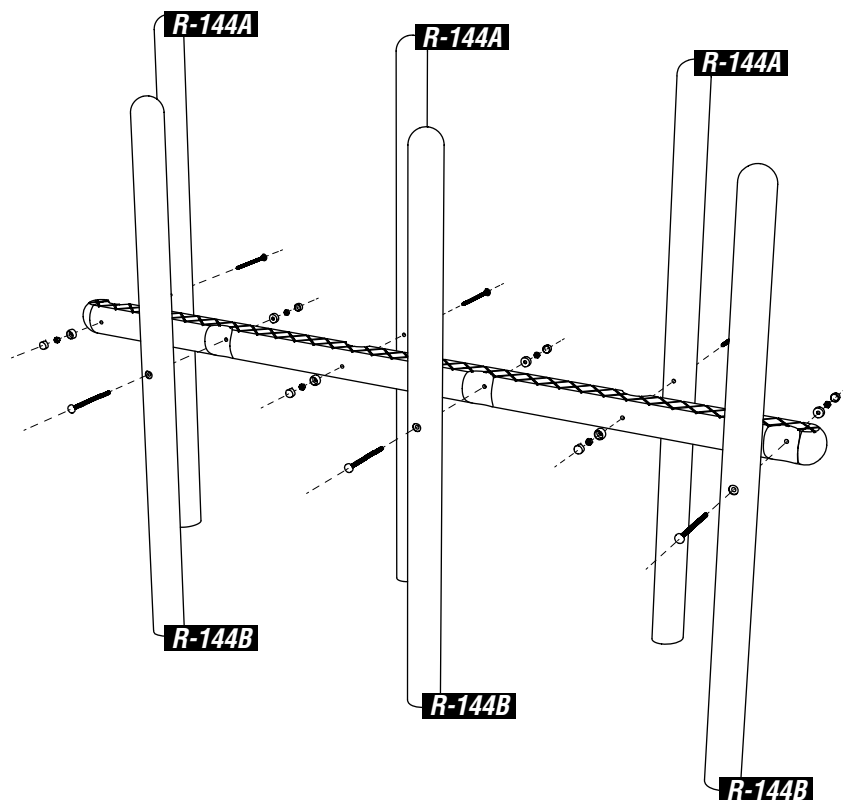


# INSTALLATION INSTRUCTIONS

**1**

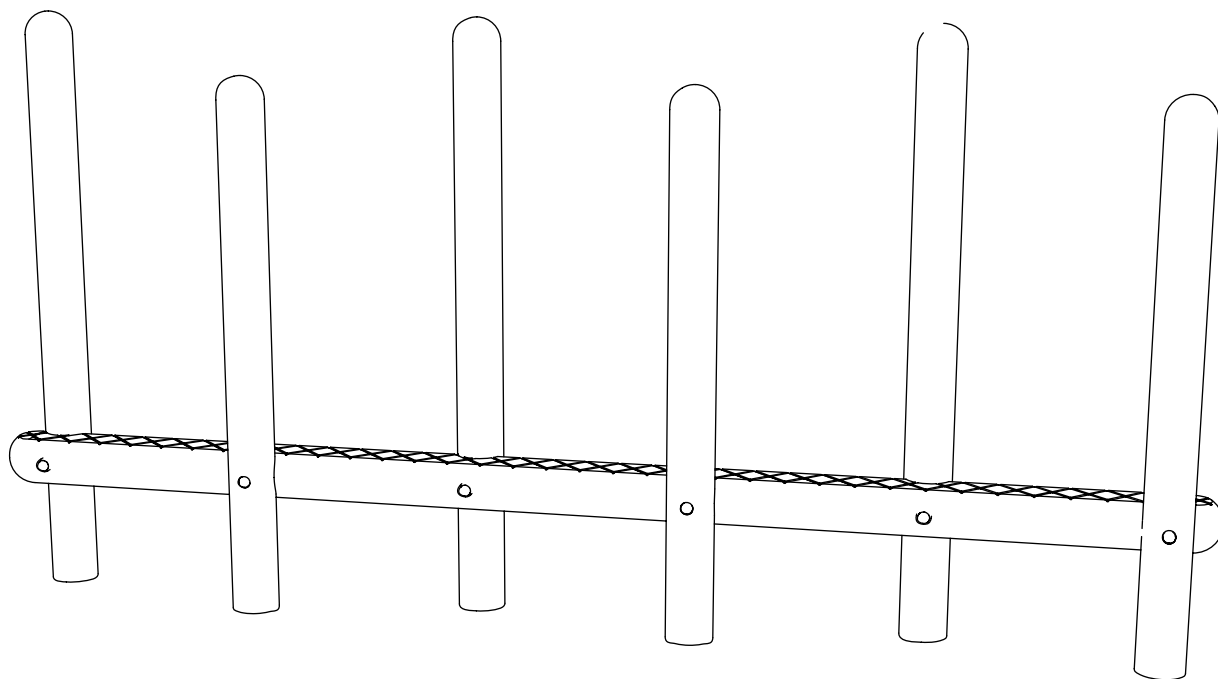
## ATTACH R-144A & R-144B TO R-144C

USING M12X 220 BOLTS, NYLOCS AND END CAPS



**2**

## INSTALL ASSEMBLY INTO THE GROUND



# ADDITIONAL MEASUREMENTS

---

