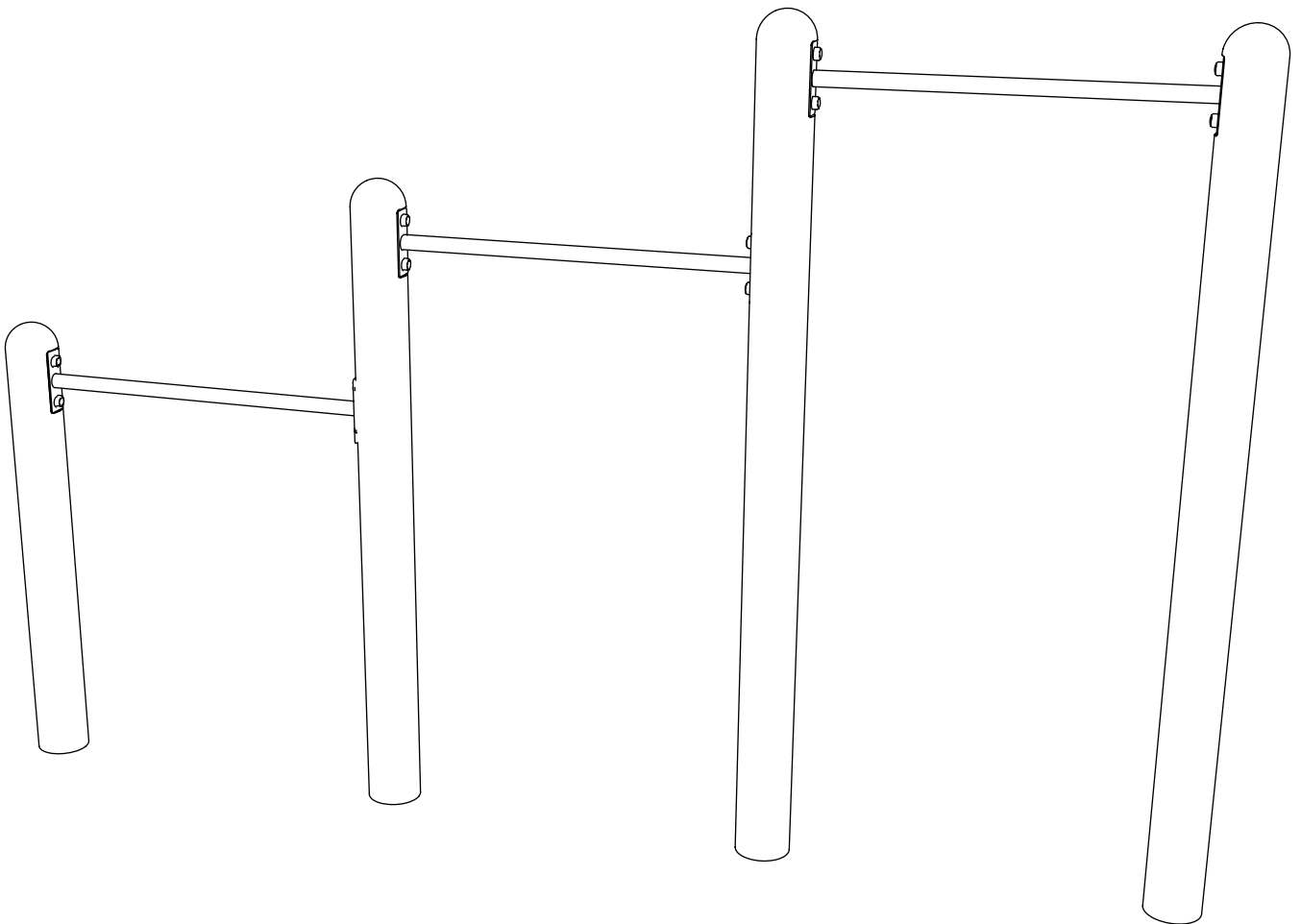


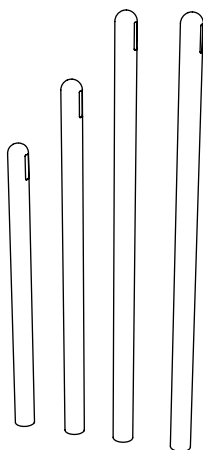
CH143-R - PULL UP BARS

Installation Instructions

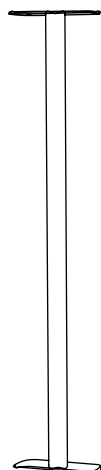
**creative
play**



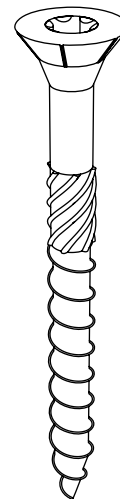
PARTS REQUIRED



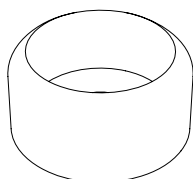
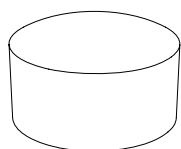
CH143-R TIMBERS [X4]



STANDARD BARS [X3]

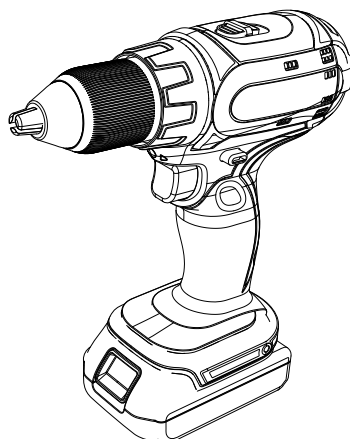
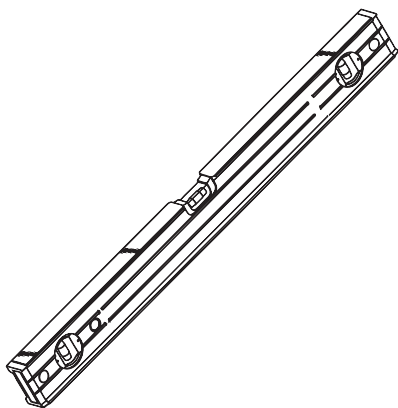


M8 X 80 SCREWS [X12]

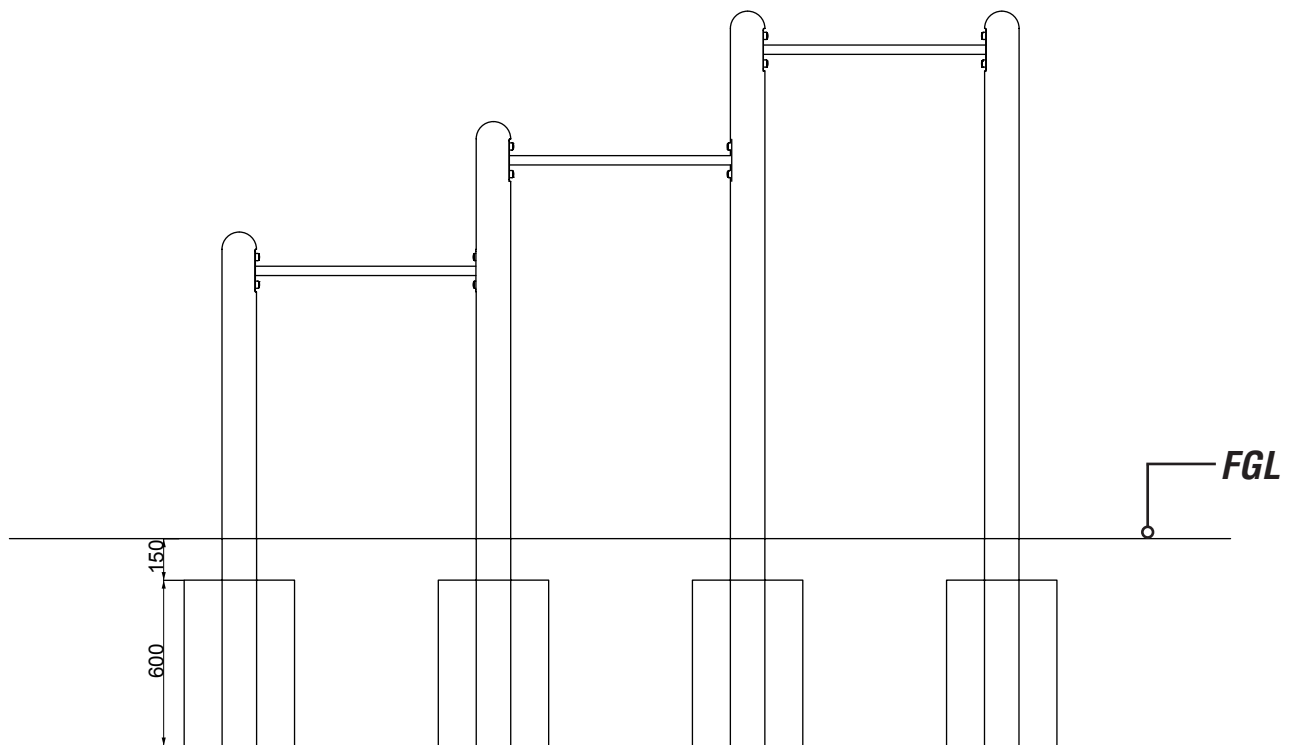
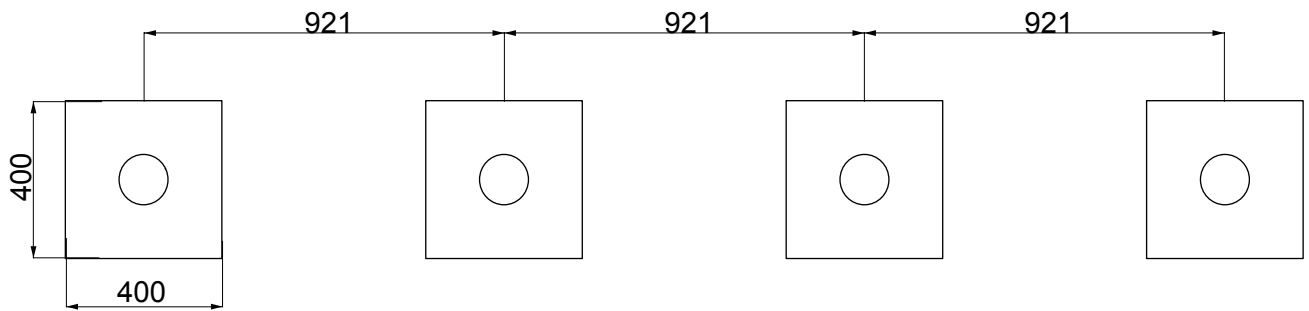


M8 COVERED ENDS [X12]

TOOLS REQUIRED

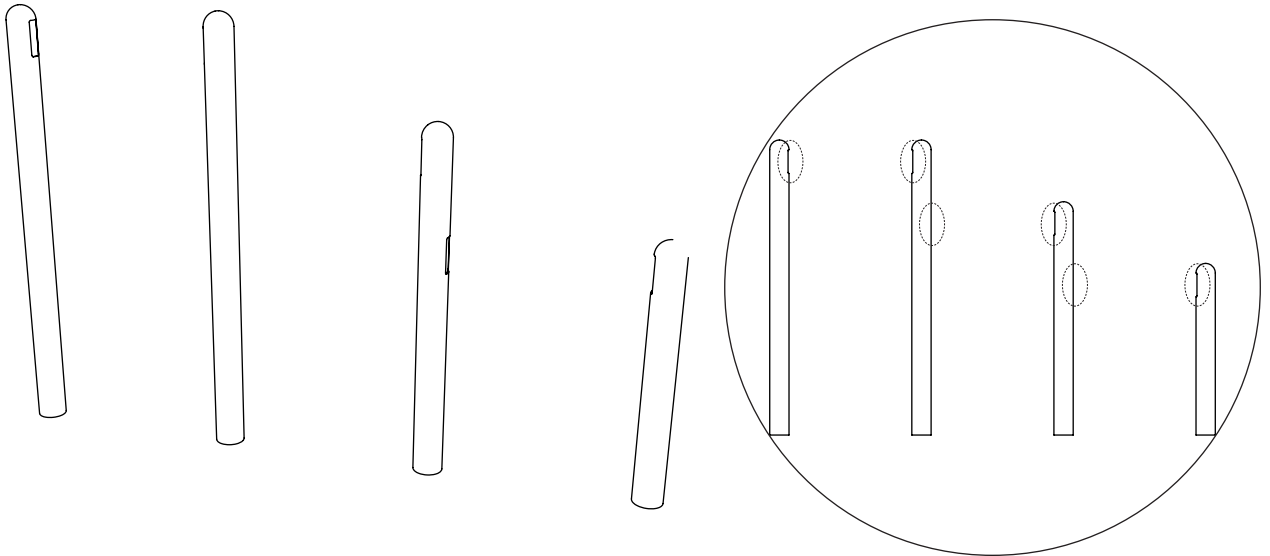


FOUNDATION DETAIL



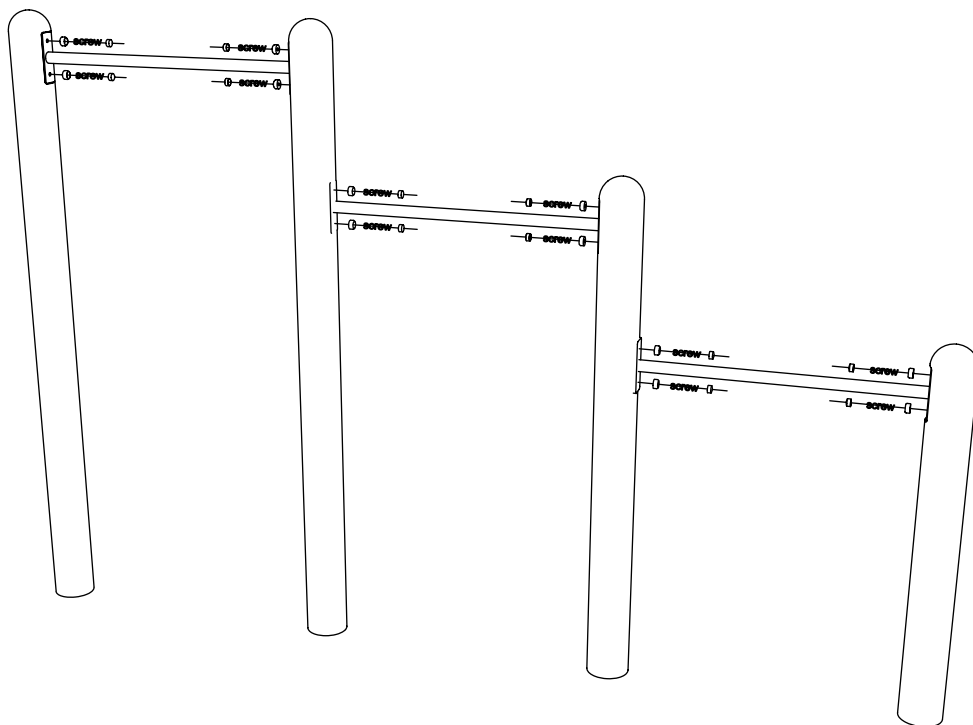
INSTALLATION INSTRUCTIONS

1 INSTALL R-143A, R-143B, R-143C AND R-143D TIMBERS INTO THE GROUND



ENSURE SLAB CUTS ARE FACING THE CORRECT WAY AROUND (SHOWN ABOVE)

2 FIX STANDARD BARS TO TIMBERS USING M8 X 8 SCREWS



ADDITIONAL MEASUREMENTS

