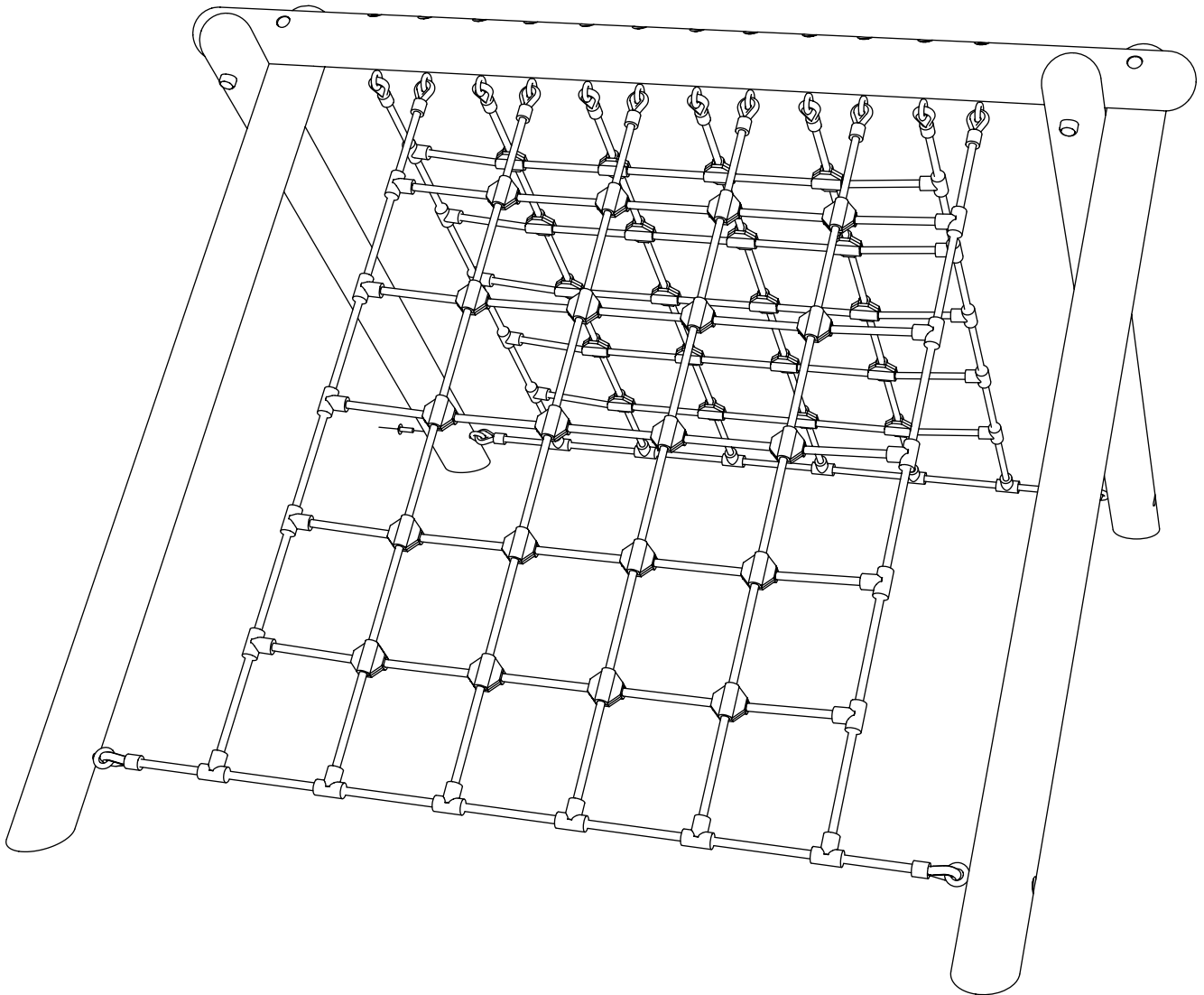


CH128-R - A-FRAME DOUBLE NET

Installation Instructions

**creative
play**

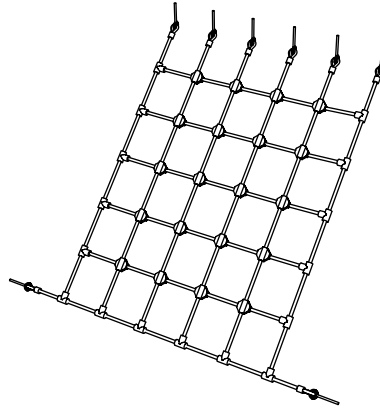


PARTS REQUIRED

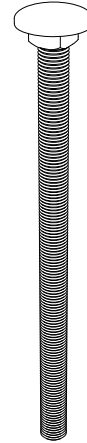
TIMBER LIST

- R-128A [X1]
- R-128B [X2]
- R-128C [X2]

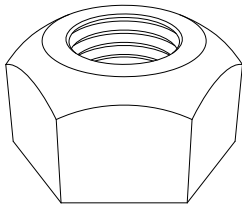
TIMBER LIST



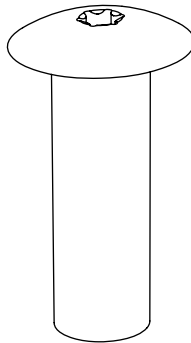
NET ASSEMBLY [X2]



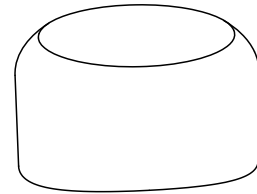
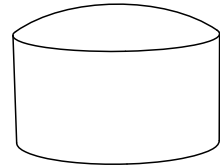
M12 X 200 BOLTS [X4]



M12 NYLOCS [X4]

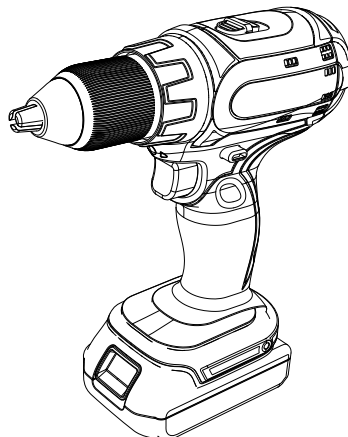
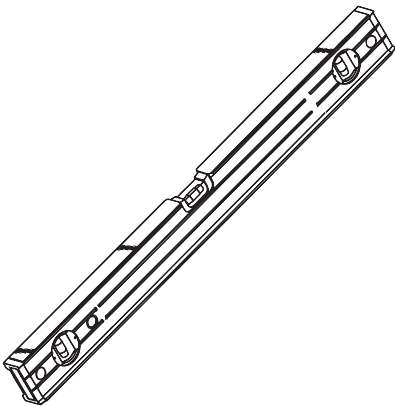


M10 X 40 SOCKET NUT [X16]

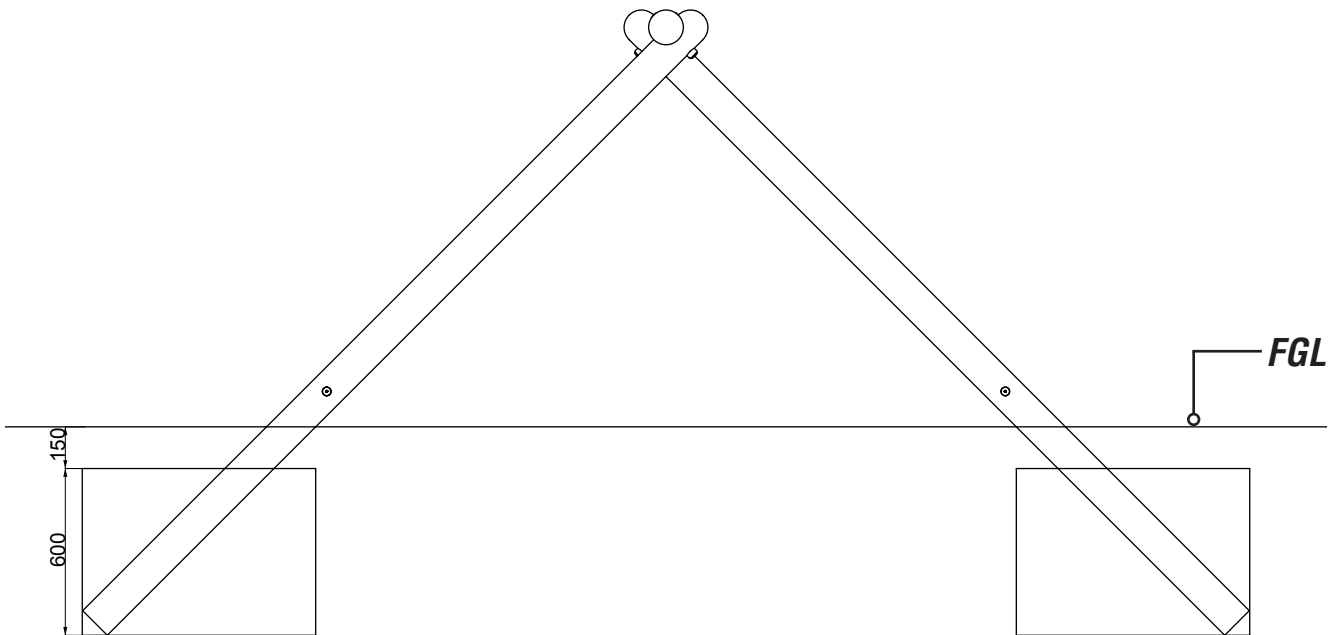
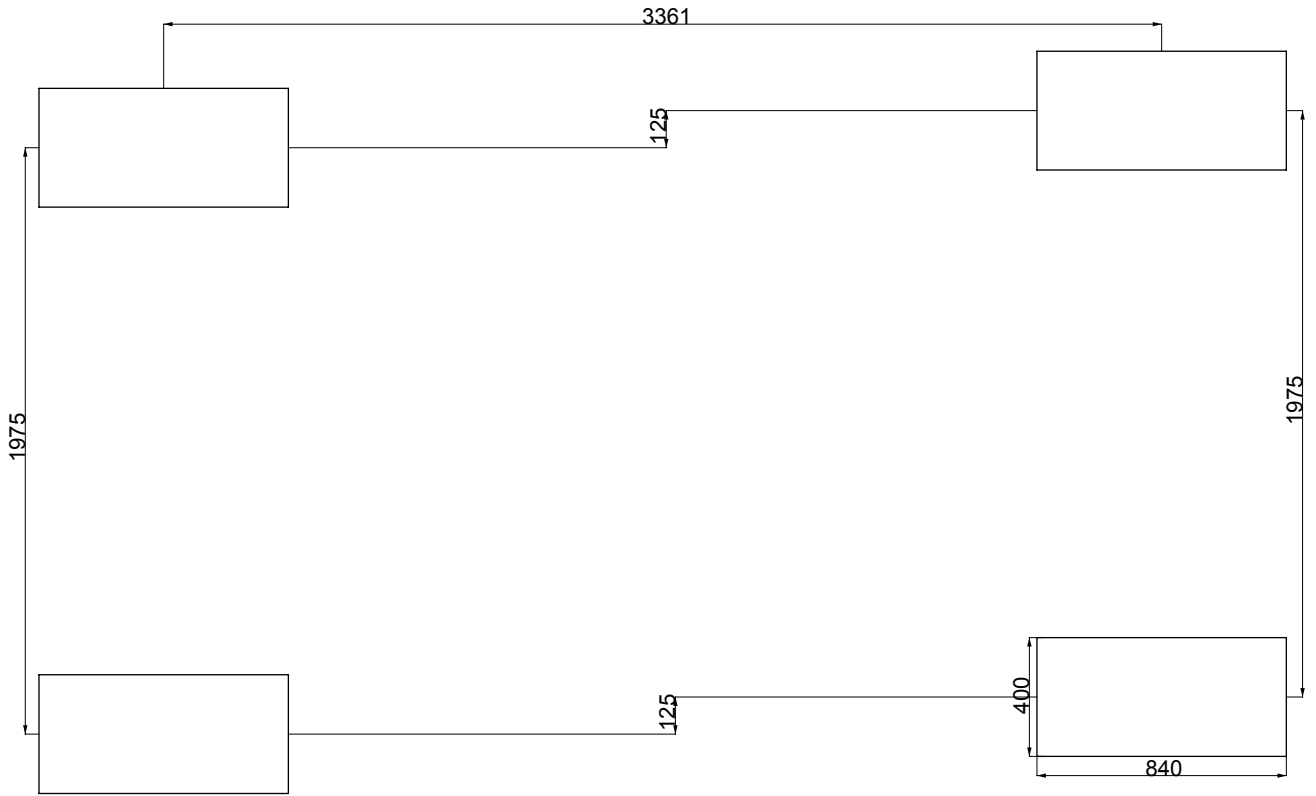


COVERED END R-60 [X4]

TOOLS REQUIRED



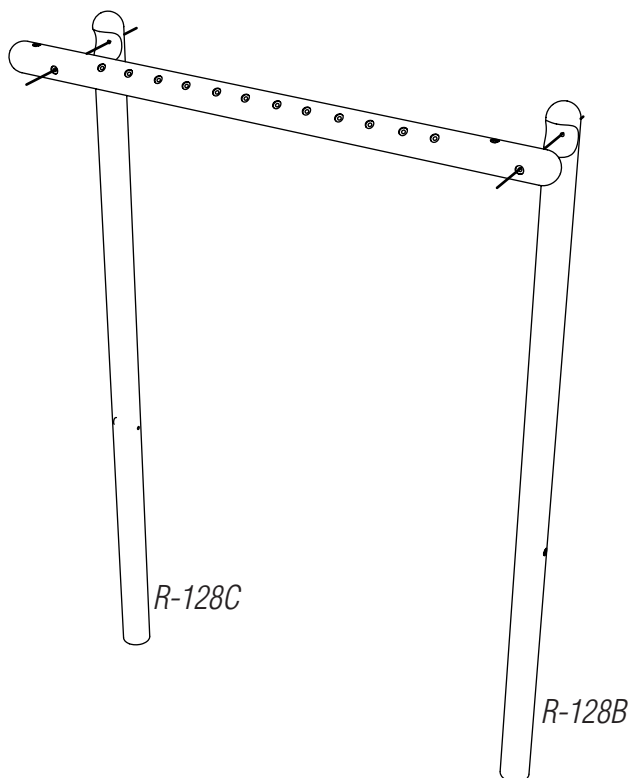
FOUNDATION DETAIL



INSTALLATION INSTRUCTIONS

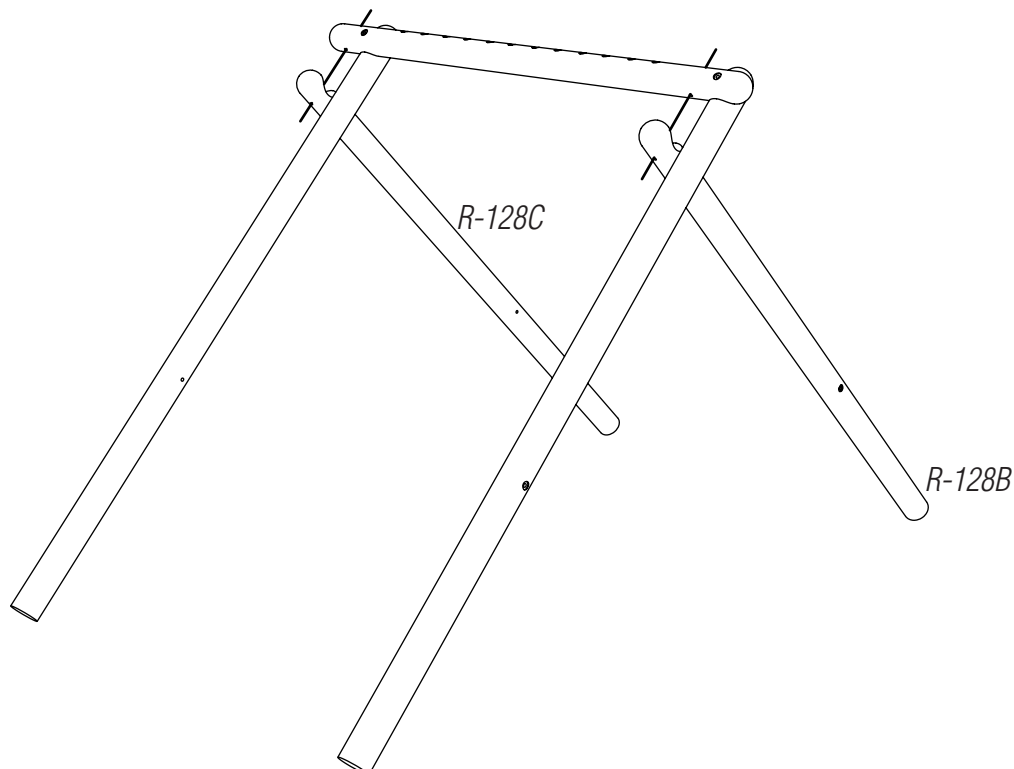
1

**FIX R-128A TIMBER, 1X R-128B AND 1X R-128C TIMBERS TOGETHER
USING M12X200 BOLTS, M12 NYLOCS AND END CAPS**



2

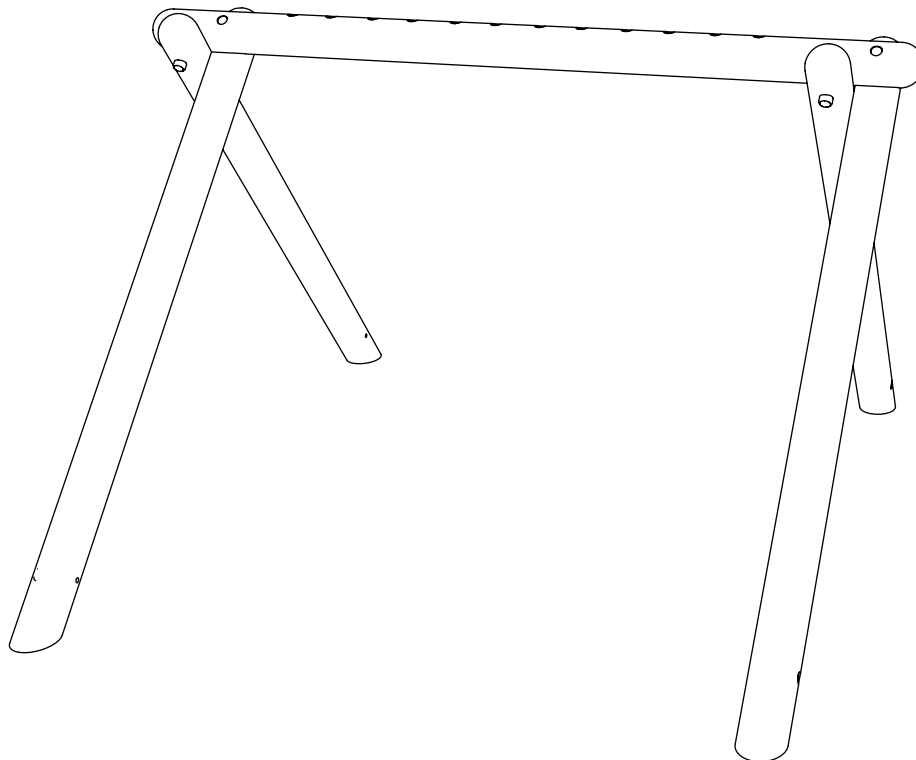
**TILT ASSEMBLY FROM STEP ONE AND ATTACH 1X R-128B AND 1X R-128C
USING M12X200 BOLTS, M12 NYLOCS AND END CAPS**



INSTALLATION INSTRUCTIONS

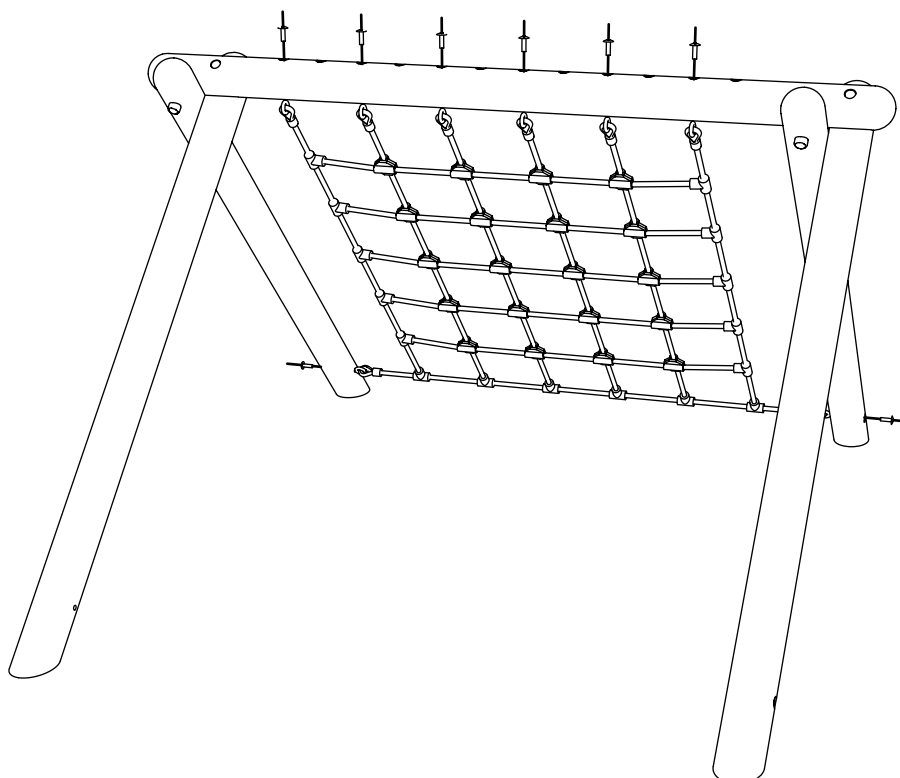
3

INSTALL CH128-R TIMBER FRAMEWORK INTO THE GROUND



4

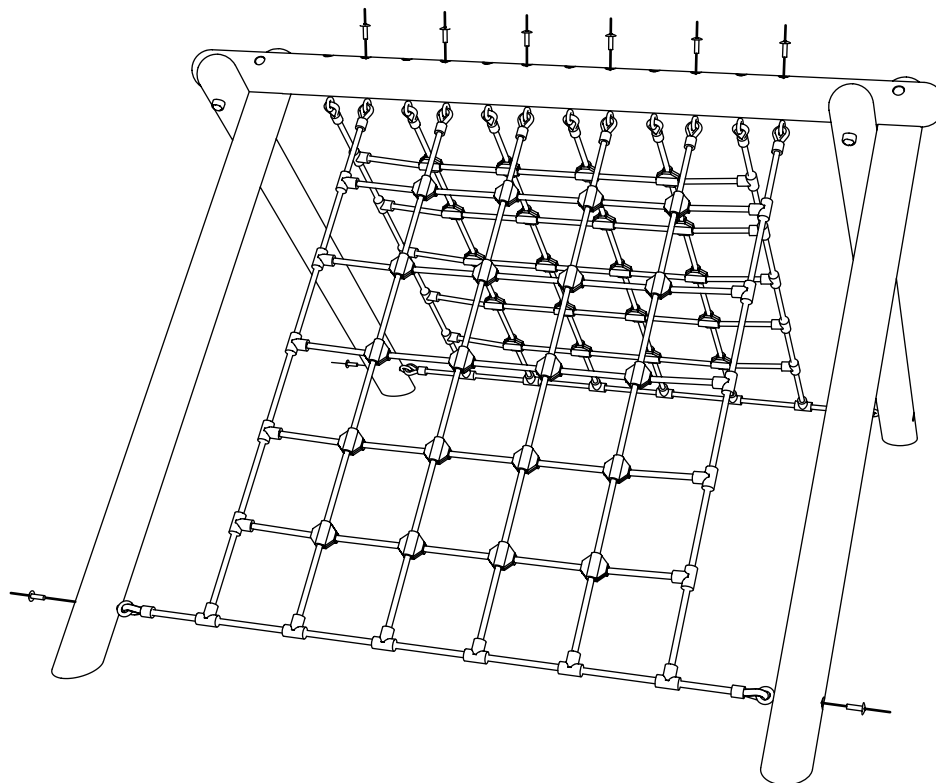
ATTACH 1X NET ASSEMBLY
USING M10X40 SOCKET NUTS



INSTALLATION INSTRUCTIONS

5

ATTACH 1X NET ASSEMBLY TO OPPOSIT SIDE
USING M10X40 SOCKET NUTS



ADDITIONAL MEASUREMENTS

