

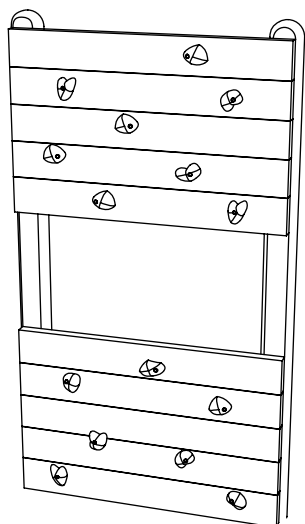
CH127(A) - TRAVERSE WALL

Installation Instructions

creative
play

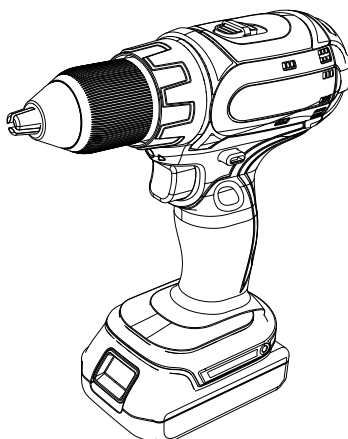
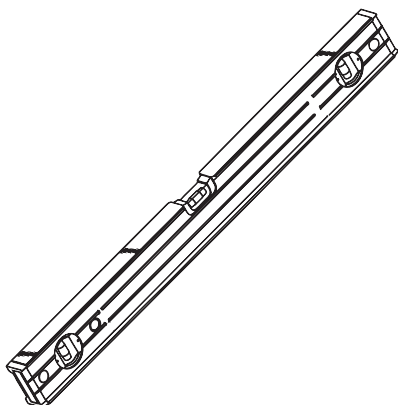


PARTS REQUIRED

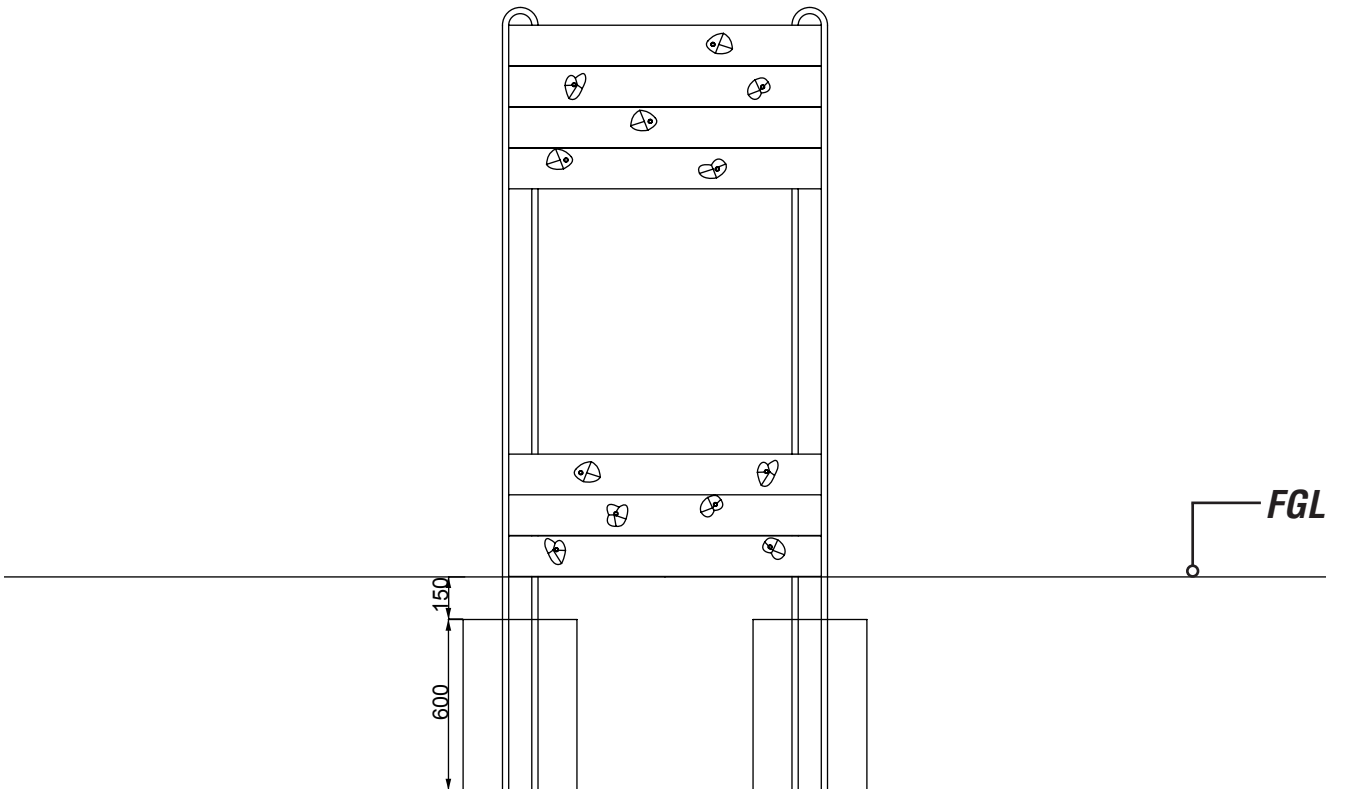
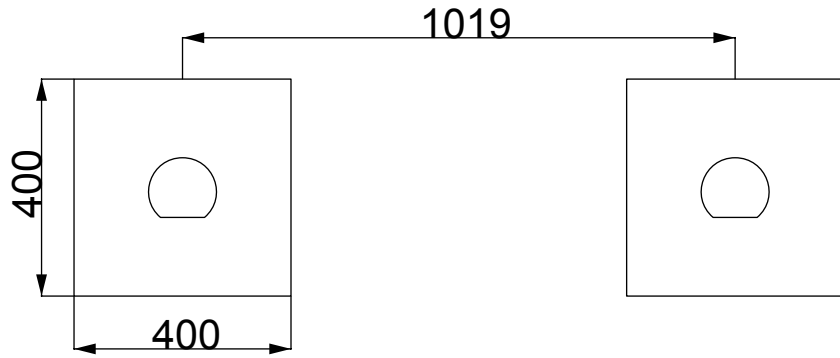


TRAVERSE WALL

TOOLS REQUIRED

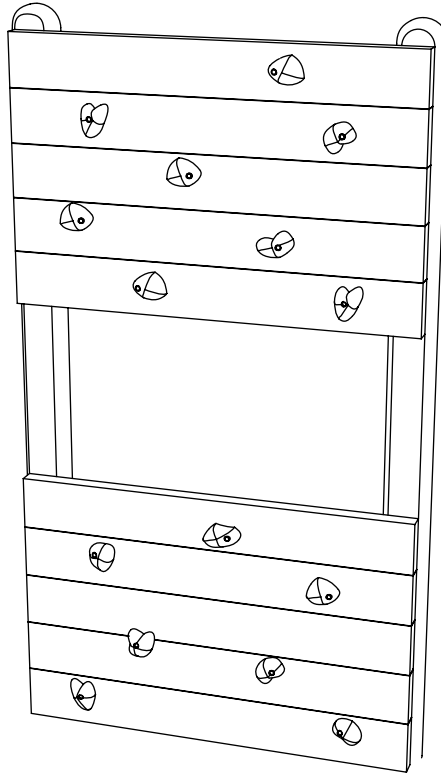


FOUNDATION DETAIL



INSTALLATION INSTRUCTIONS

1 INSTALL CH127(A) INTO THE GROUND



ADDITIONAL MEASUREMENTS

