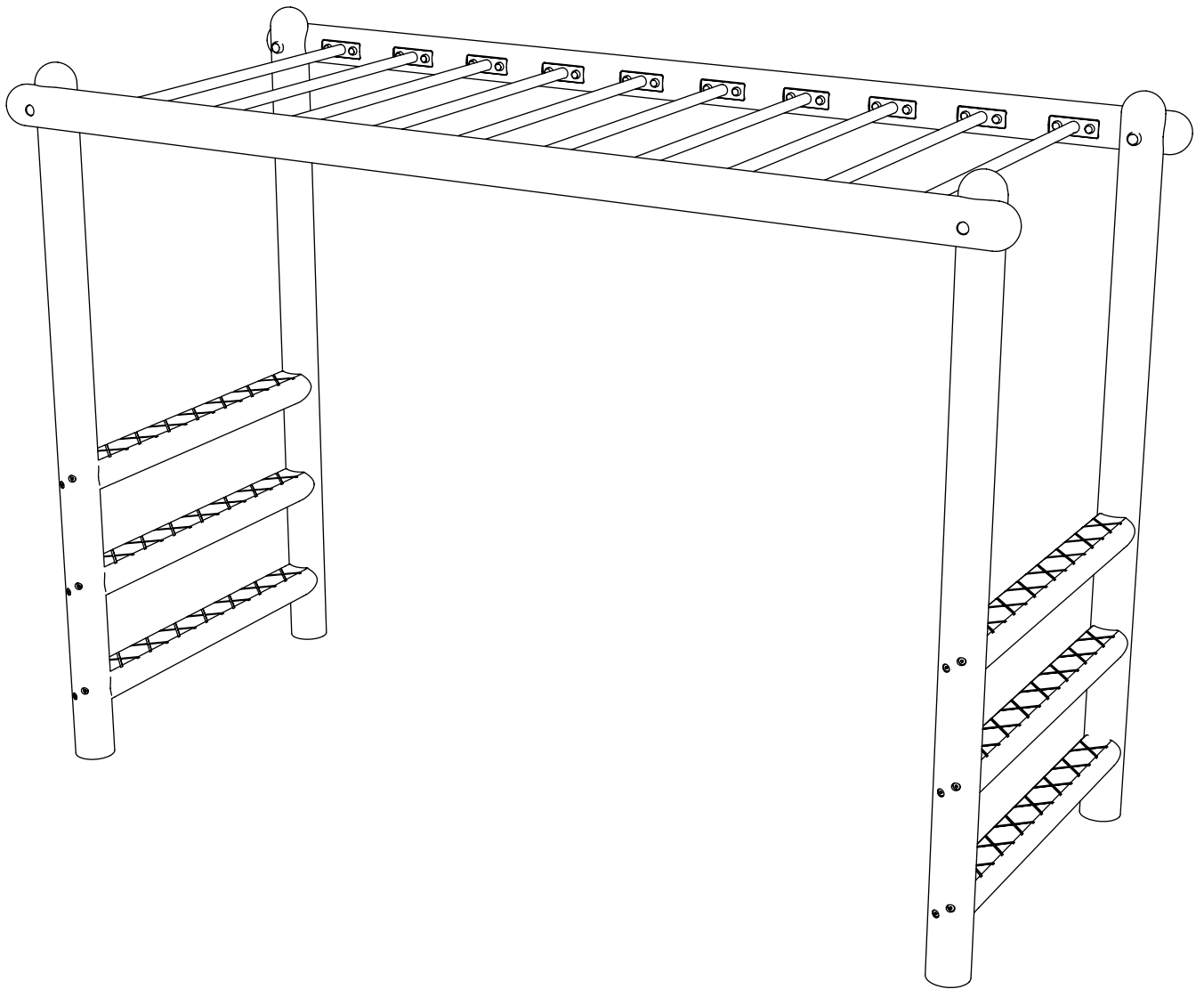


CH120-R - OVERHEAD LADDER

Installation Instructions

**creative
play**



PARTS REQUIRED

TIMBER LIST

- R-120A [X4]
- R-120B [X2]
- R-120C [X6]

TIMBER LIST



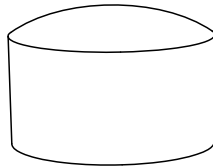
M12 X 200 BOLTS [X4]



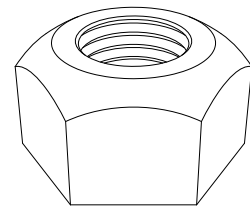
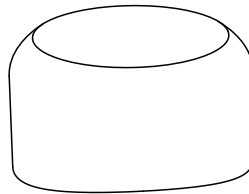
M8 X 80 SCREWS [X40]



M8 X 180 SCREWS [X24]

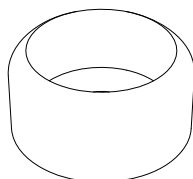
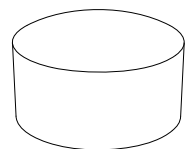


COVERED END R-60 [X12]

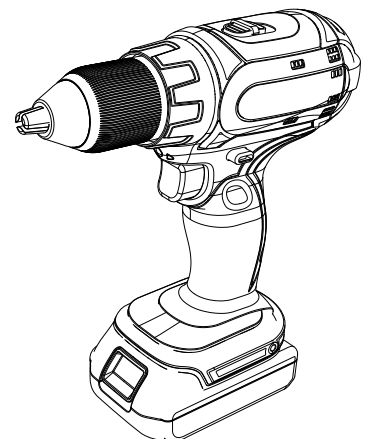
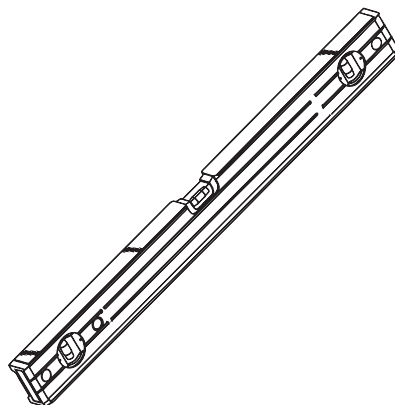


M12 NYLOCS [X12]

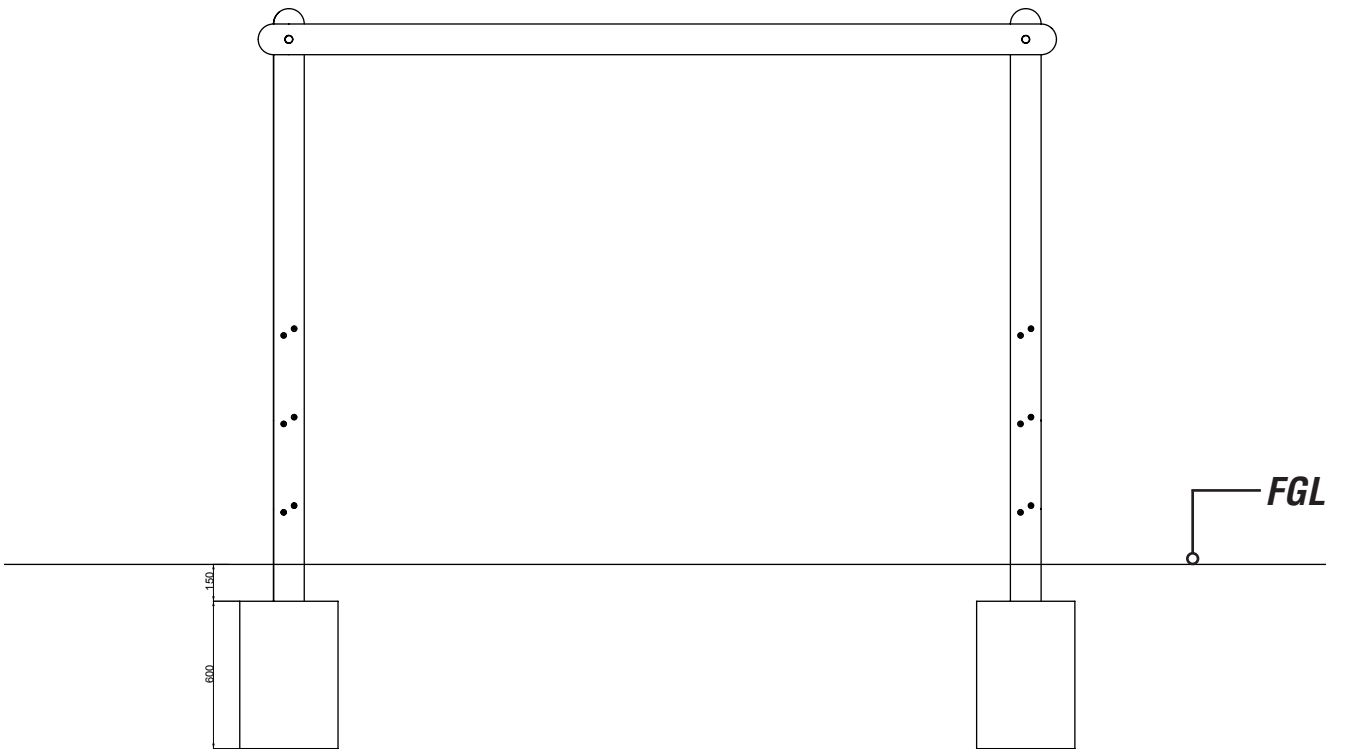
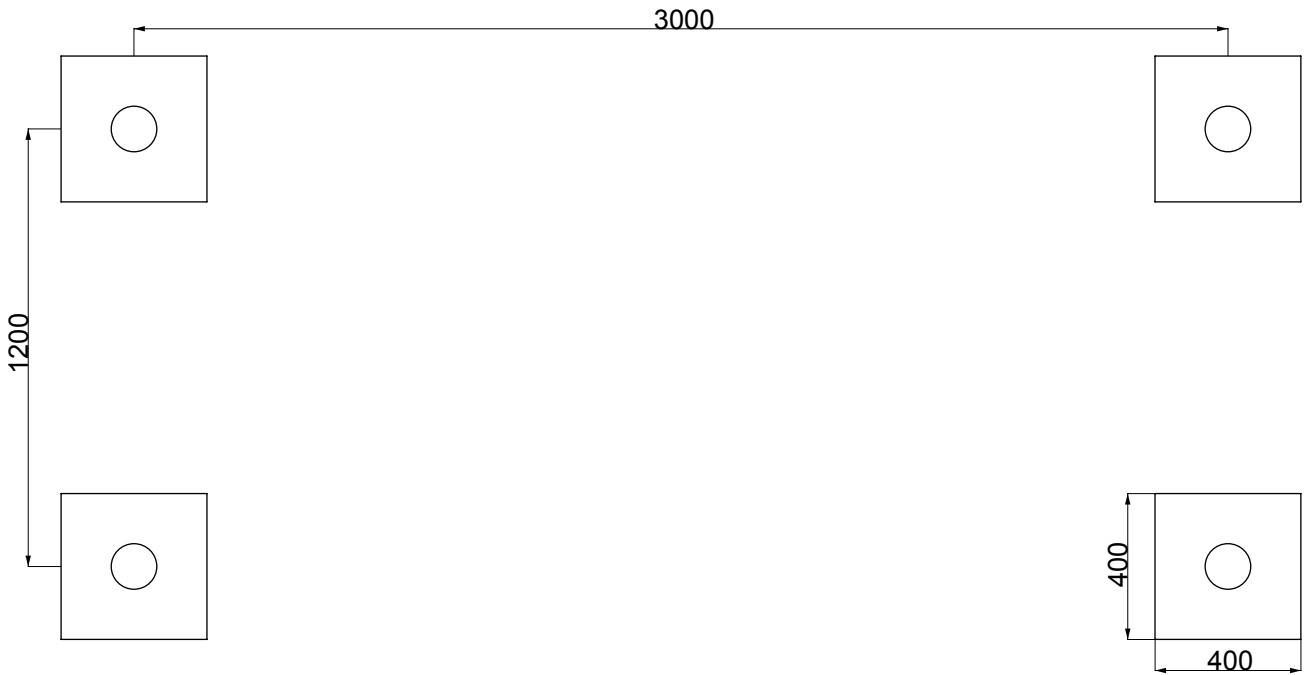
TOOLS REQUIRED



COVERED END R-60 [X40]



FOUNDATION DETAIL

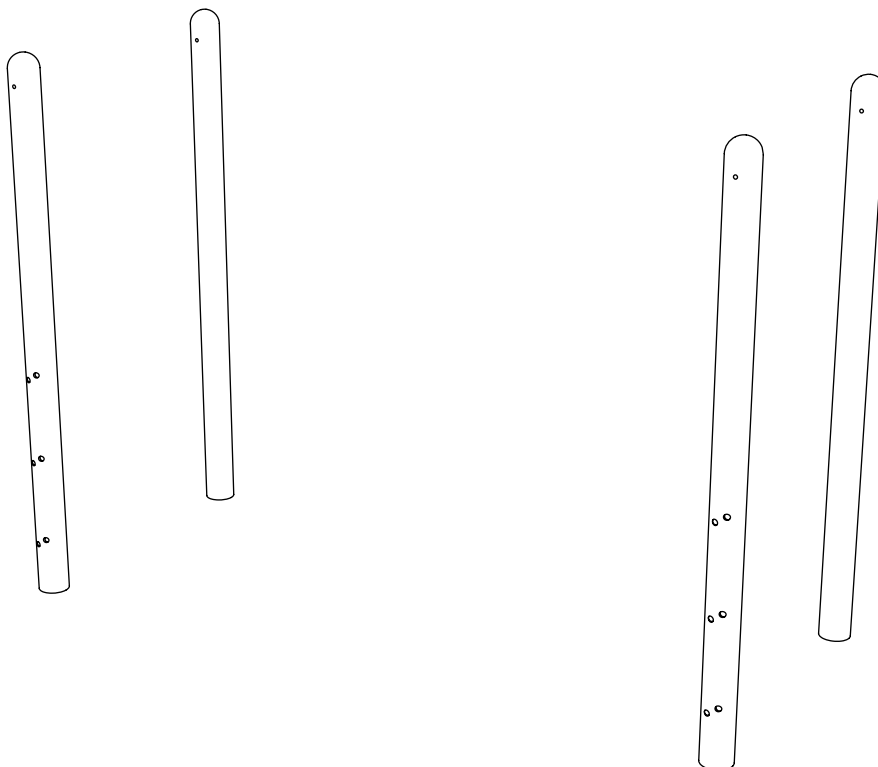


INSTALLATION INSTRUCTIONS

1

INSTALL R-120A TIMBERS INTO THE GROUND

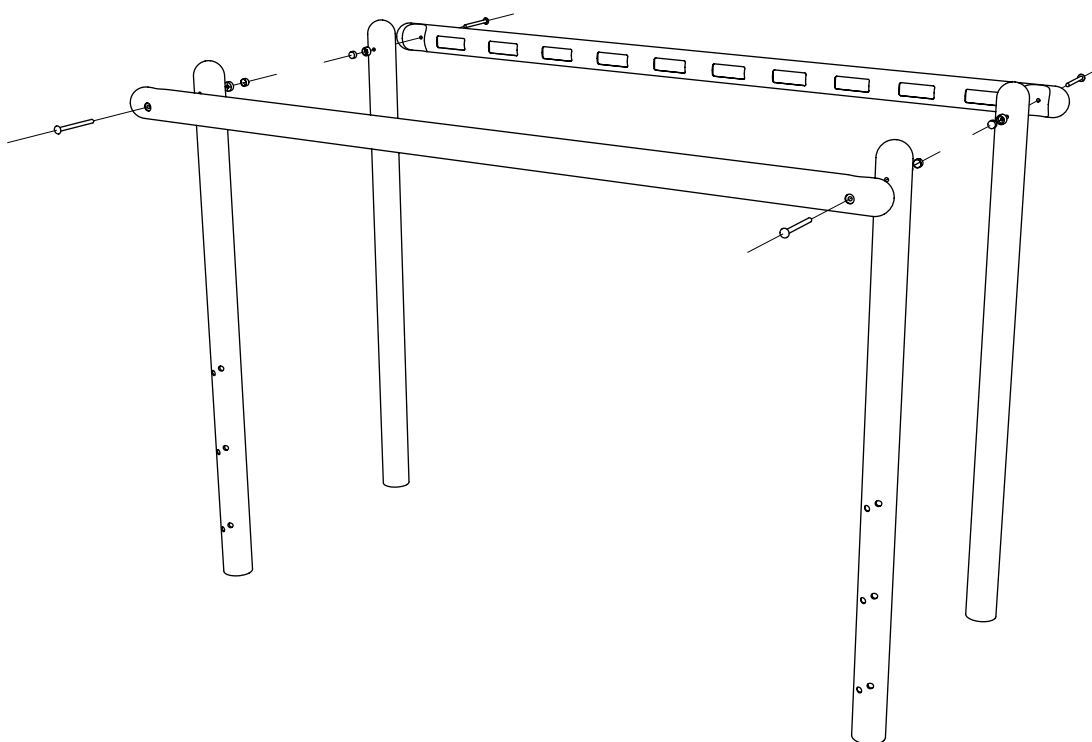
ENSURE COUNTERSINKS ARE FACING OUTWARDS



2

FIX R-120B TO R-120A - ON THE OUTSIDE

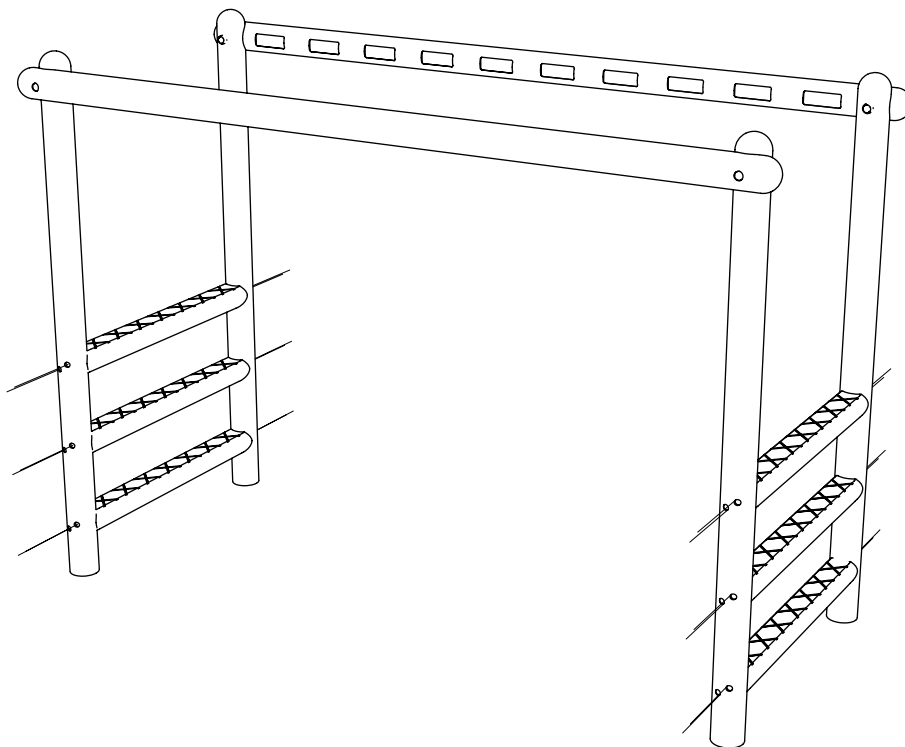
USING M12X200 BOLTS, NYLOCS AND END CAPS



INSTALLATION INSTRUCTIONS

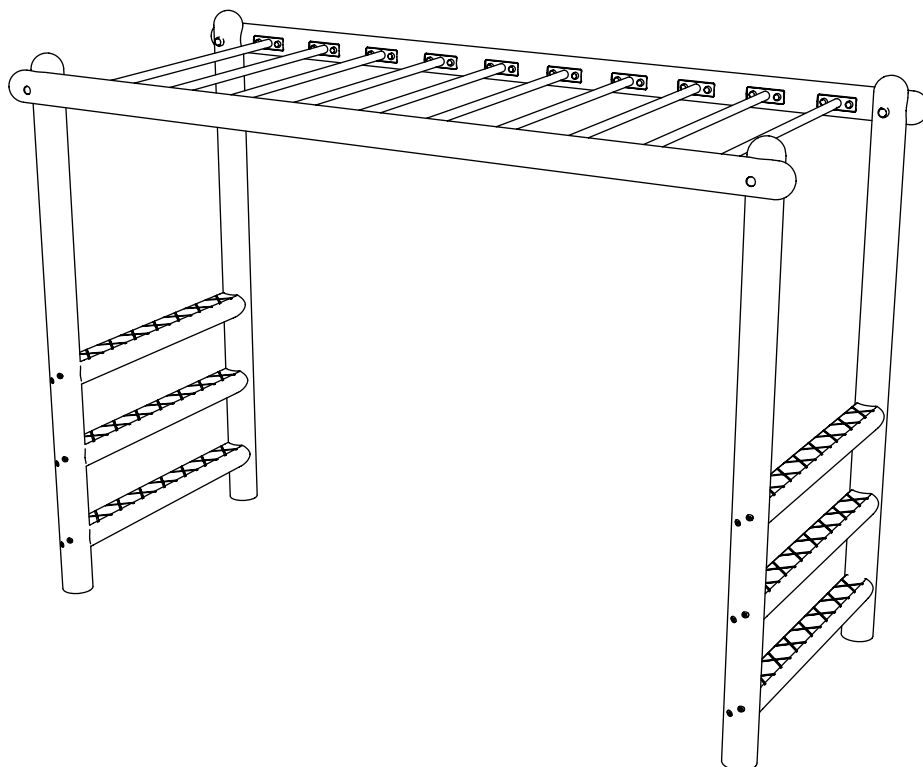
3

INSTALL R-120C BETWEEN R-120A
USING M8X180 SCREWS



4

ATTACH STANDARD BARS TO R-120B TIMBERS
USING M8X80 SCREWS



ADDITIONAL MEASUREMENTS

