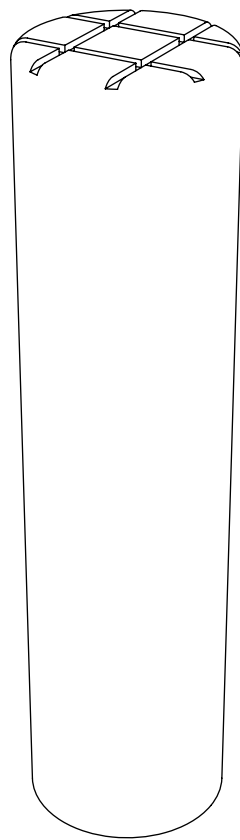


**CH118-R - STEPPING LOG (EACH)**  
***Installation Instructions***

**creative  
play**



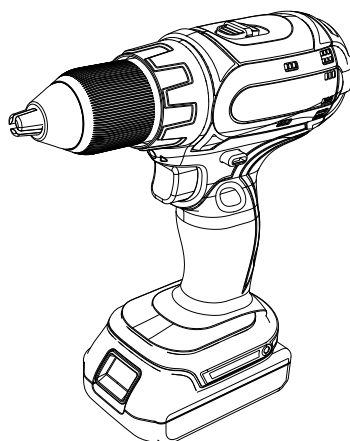
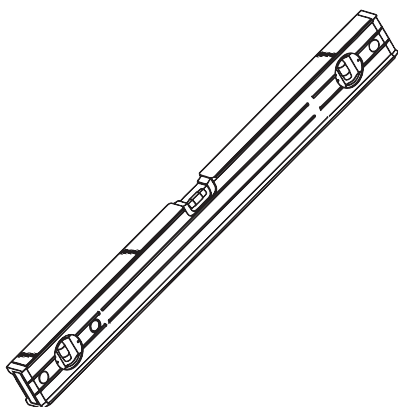
# ***PARTS REQUIRED***

---

<b><i>TIMBER LIST</i></b>
<b><i>- R-118A</i></b>
<b><i>TIMBER LIST</i></b>

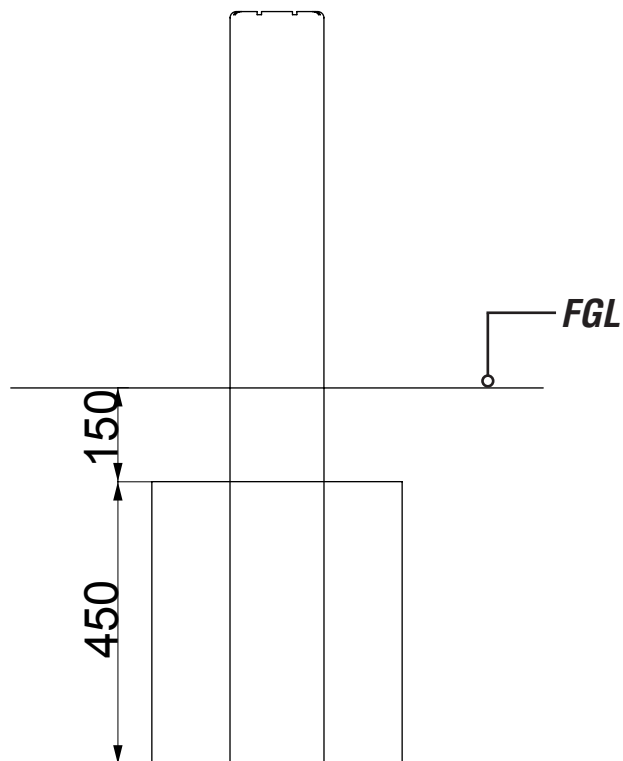
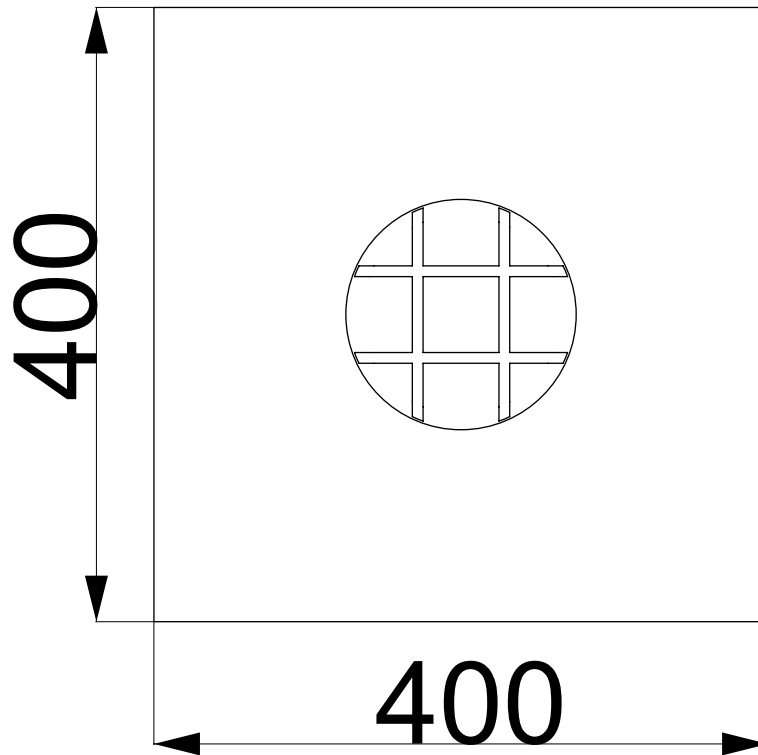
# ***TOOLS REQUIRED***

---



# FOUNDATION DETAIL

---

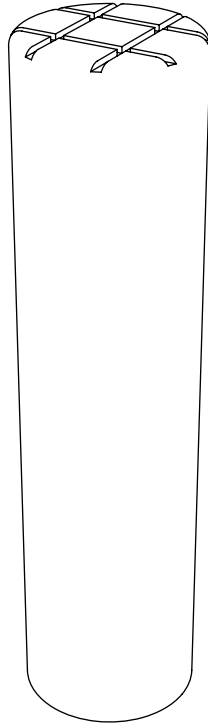


# INSTALLATION INSTRUCTIONS

---

**1**

**INSTALL R-118A, TIMBERS INTO THE GROUND**



**2**

**IF INSTALLING STEPPING LOGS AS A CLUSTER, VARY HEIGHTS BETWEEN 300MM AND 600M AND PLACE NO CLOSER TOGETHER THAN 230MM**

# ***ADDITIONAL MEASUREMENTS***

---

