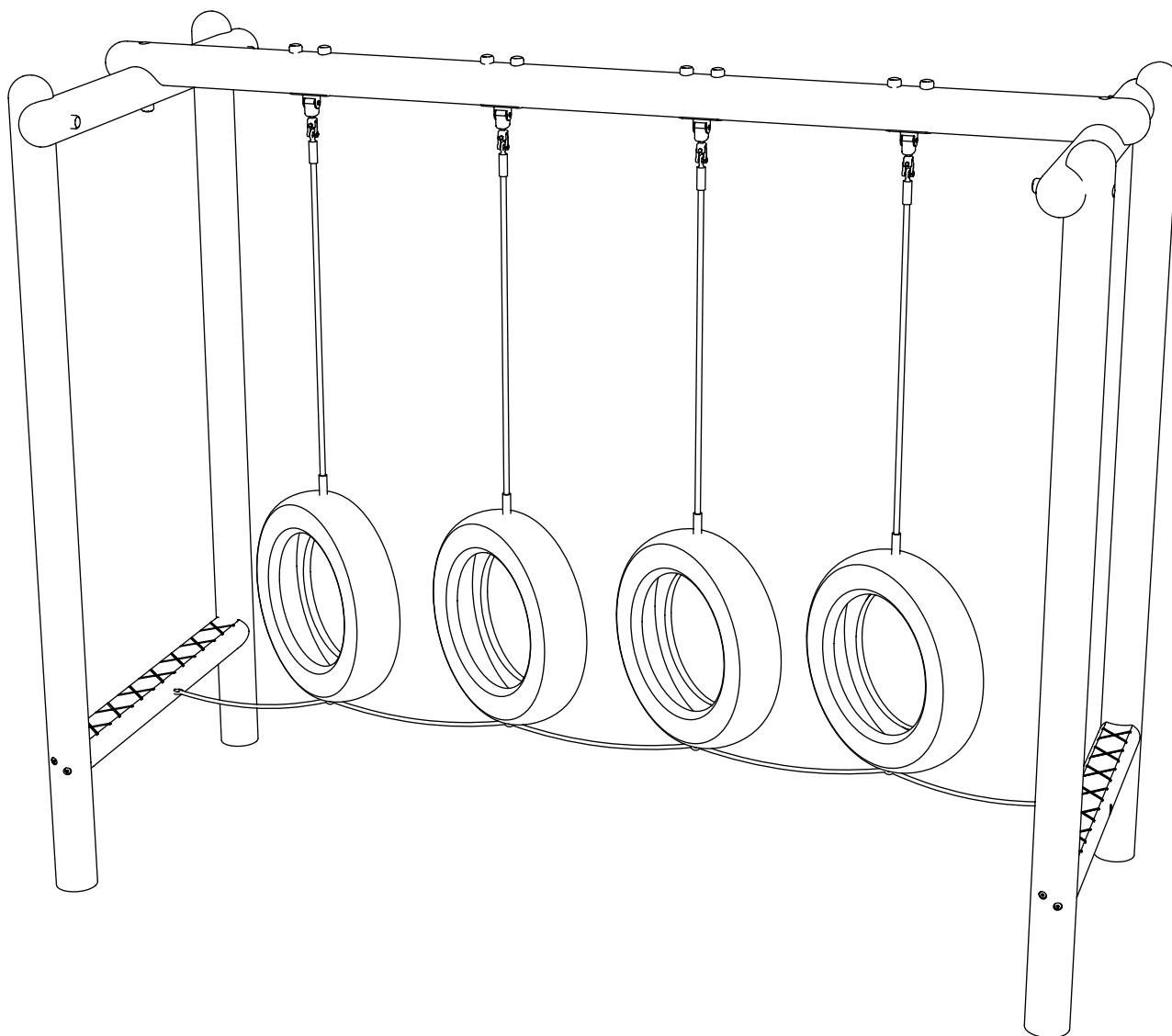


CH116-R - TYRE CROSSING

Installation Instructions

**creative
play**

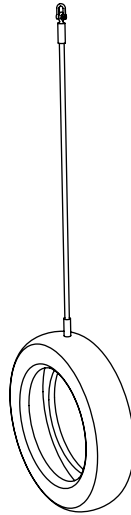


PARTS REQUIRED

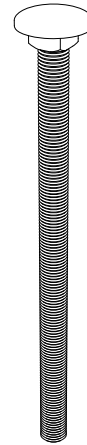
TIMBER LIST

- R-116A [X2]
- R-116B [X2]
- R-116C [X1]
- R-116D [X2]
- R-116E [X2]

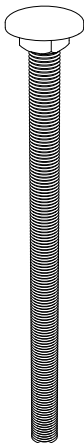
TIMBER LIST



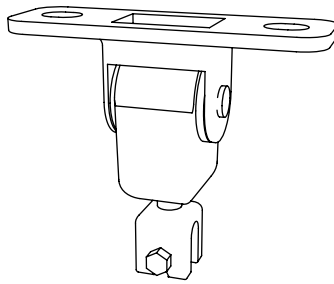
TYRE ASSEMBLY [X4]



M12 X 140 BOLTS [X8]



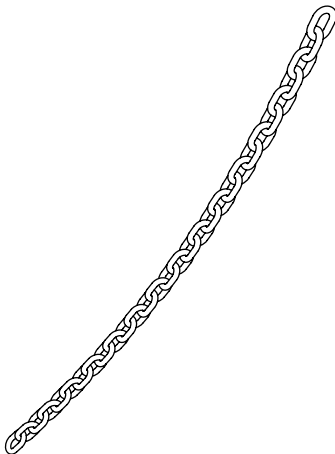
M12 X 200 BOLTS [X6]



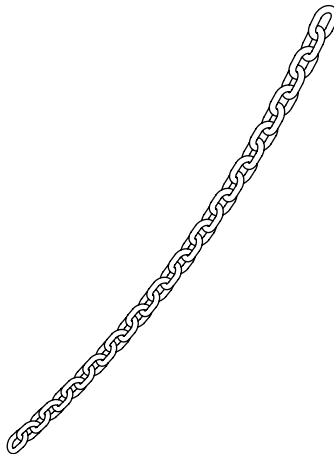
SWING BRACKET [X4]



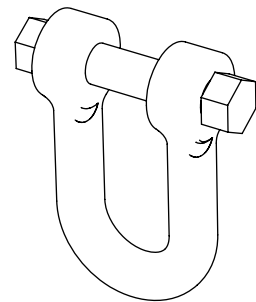
M8 X 180 SCREWS [X8]



580MM CHAIN [X6]

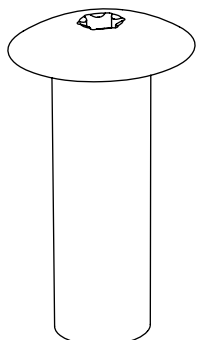


650MM CHAIN [X4]

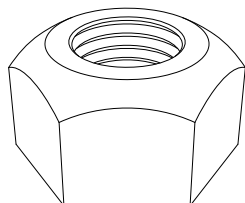


M8 D-SHACKLE [X10]

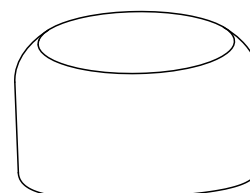
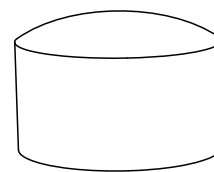
PARTS REQUIRED



M12 X 50 SOCKET NUT [X2]

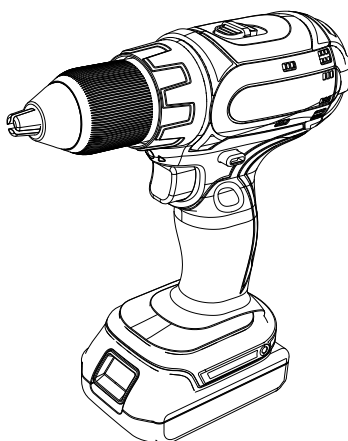
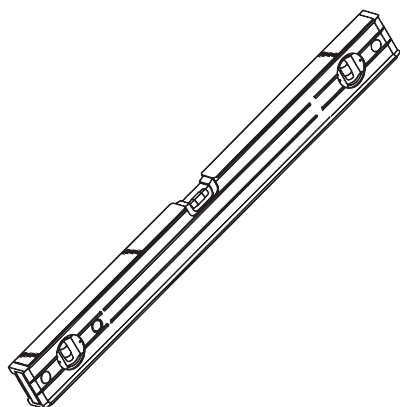


M12 NYLOCS [X14]

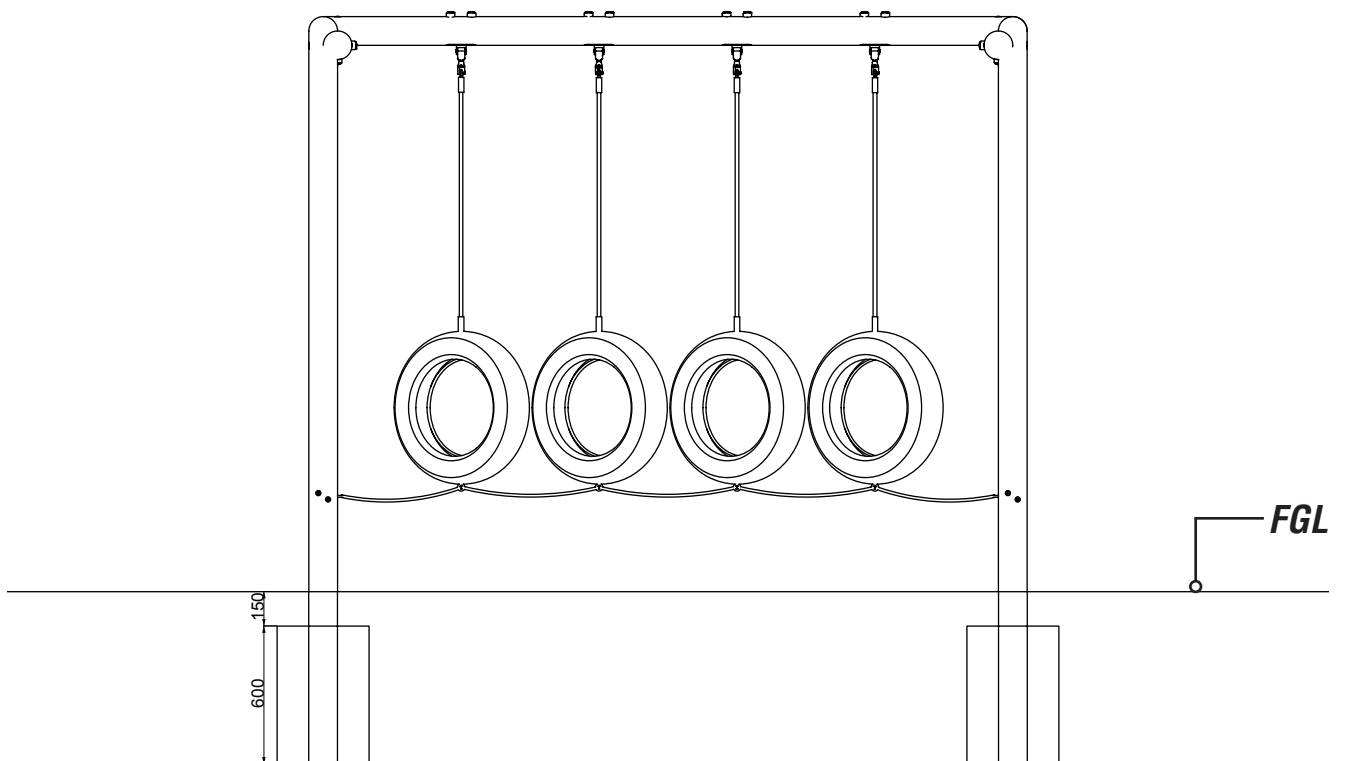
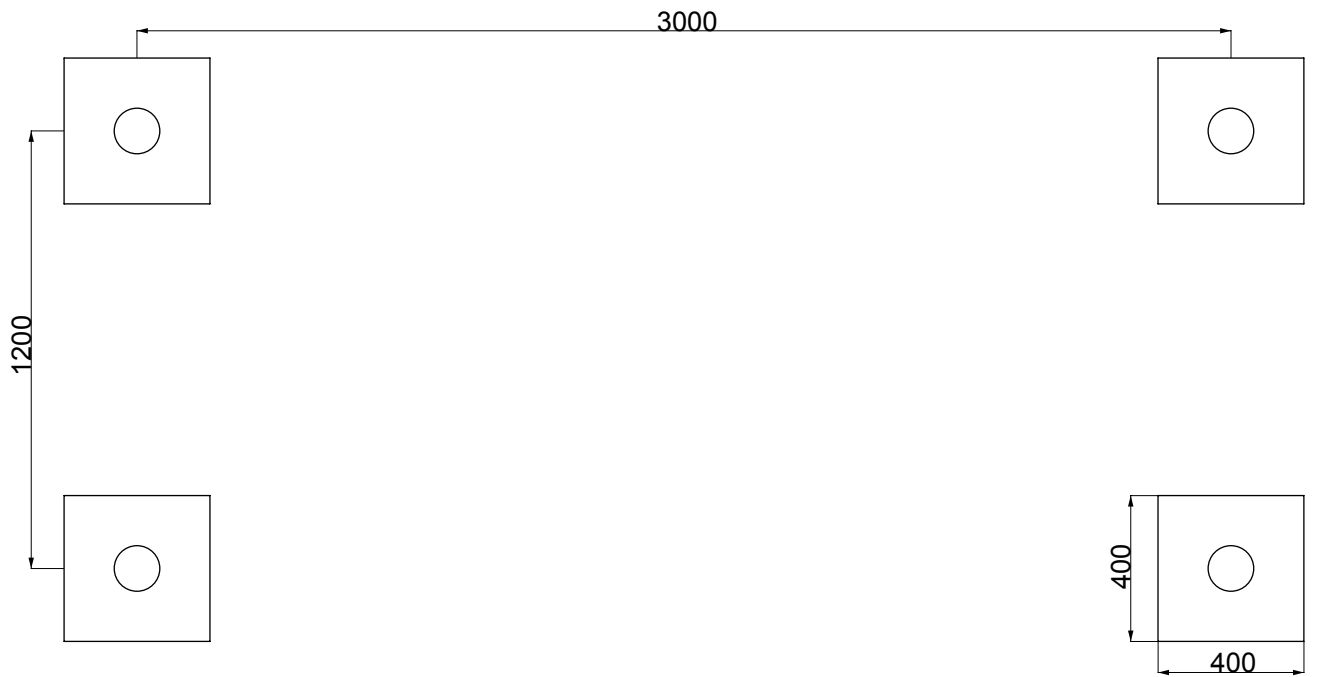


COVERED END R-60 [X14]

TOOLS REQUIRED

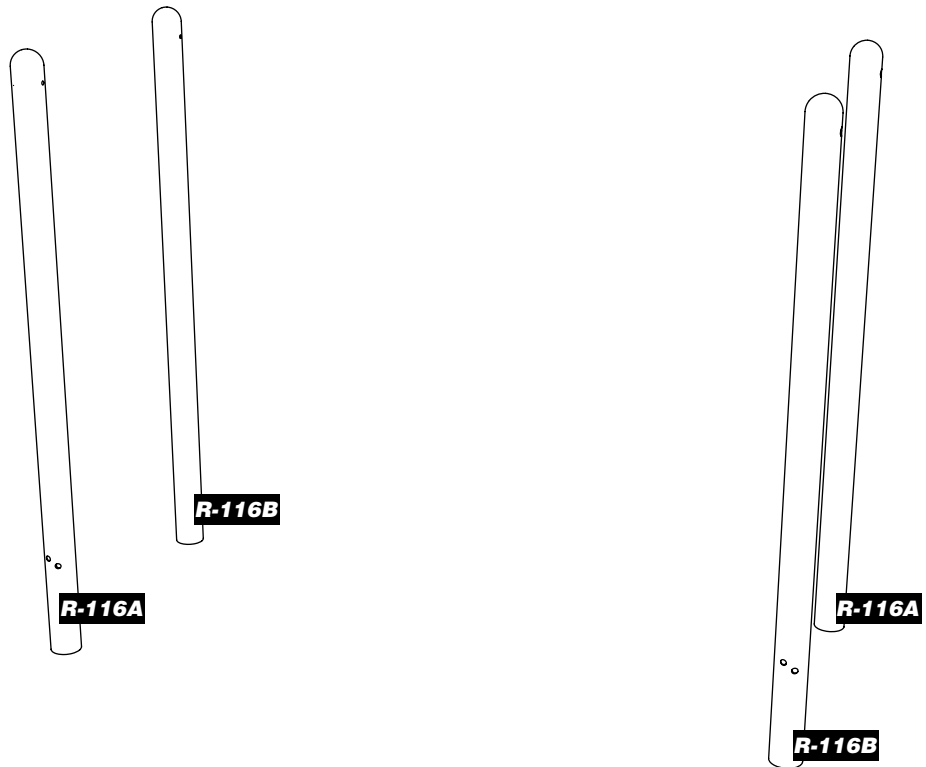


FOUNDATION DETAIL

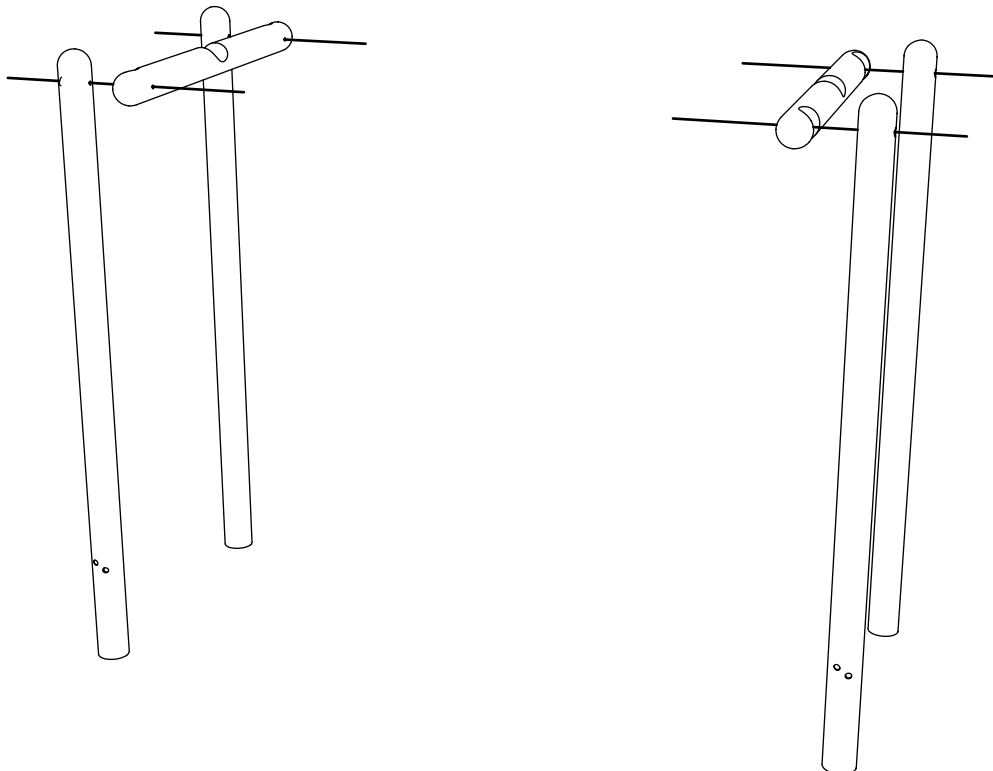


INSTALLATION INSTRUCTIONS

- 1** **INSTALL R-116A AND R-116B TIMBERS INTO THE GROUND**
ENSURE COUNTERSINKS ARE FACING OUTWARDS



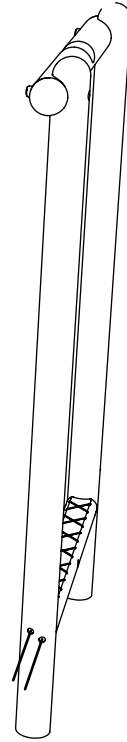
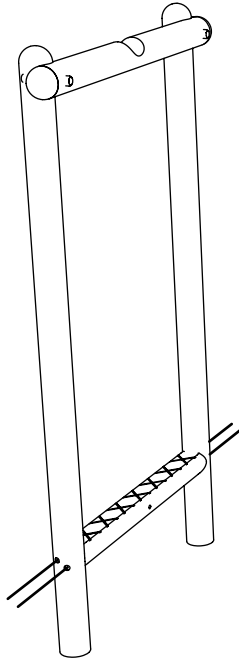
- 2** **FIX R-116E TO R-116A AND R-116B - ON THE INSIDE**
USING M12X200 BOLTS, NYLOCS AND END CAPS



INSTALLATION INSTRUCTIONS

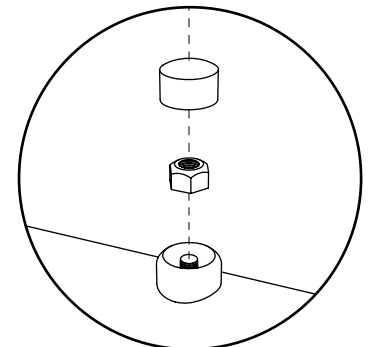
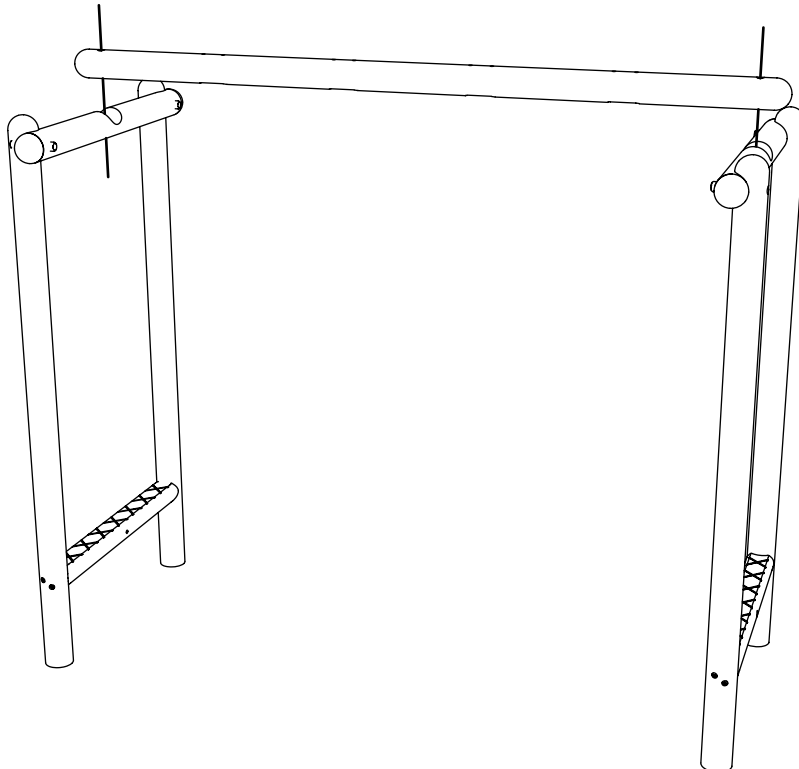
3

INSTALL R-116D BETWEEN R-116A AND R-116B
USING M8X180 SCREWS



4

ATTACH R-116C TO R-116E TIMBERS - REBATING ON THE UNDERSIDE
USING M12X200 BOLTS, M12 NYLOCS AND ROUNDED END CAPS

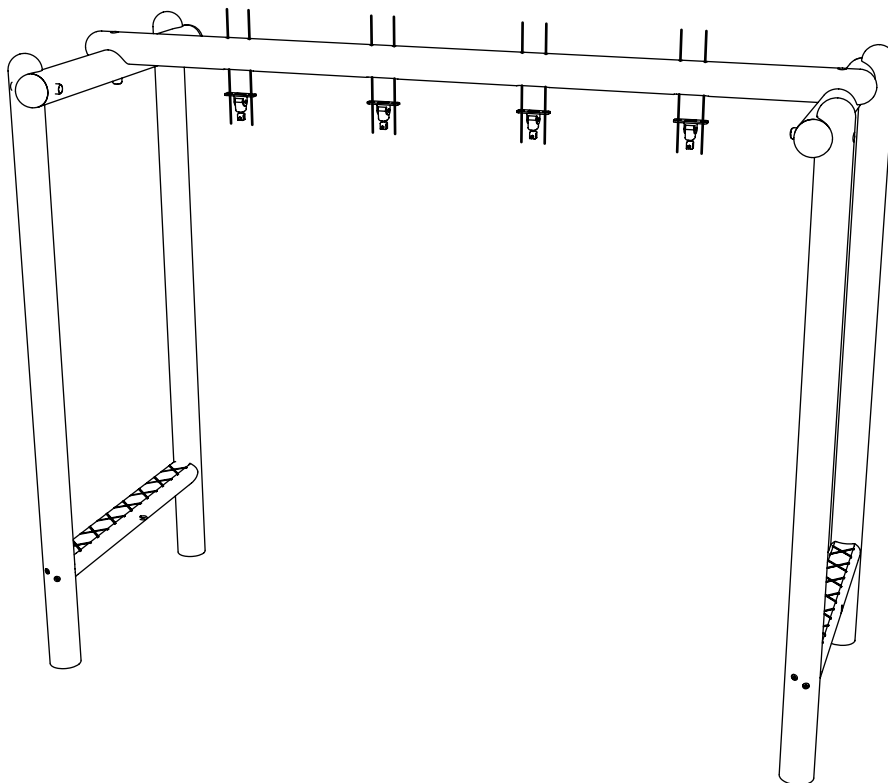


INSTALLATION INSTRUCTIONS

5

ATTACH SWING BRACKETS TO REBATED SECTIONS

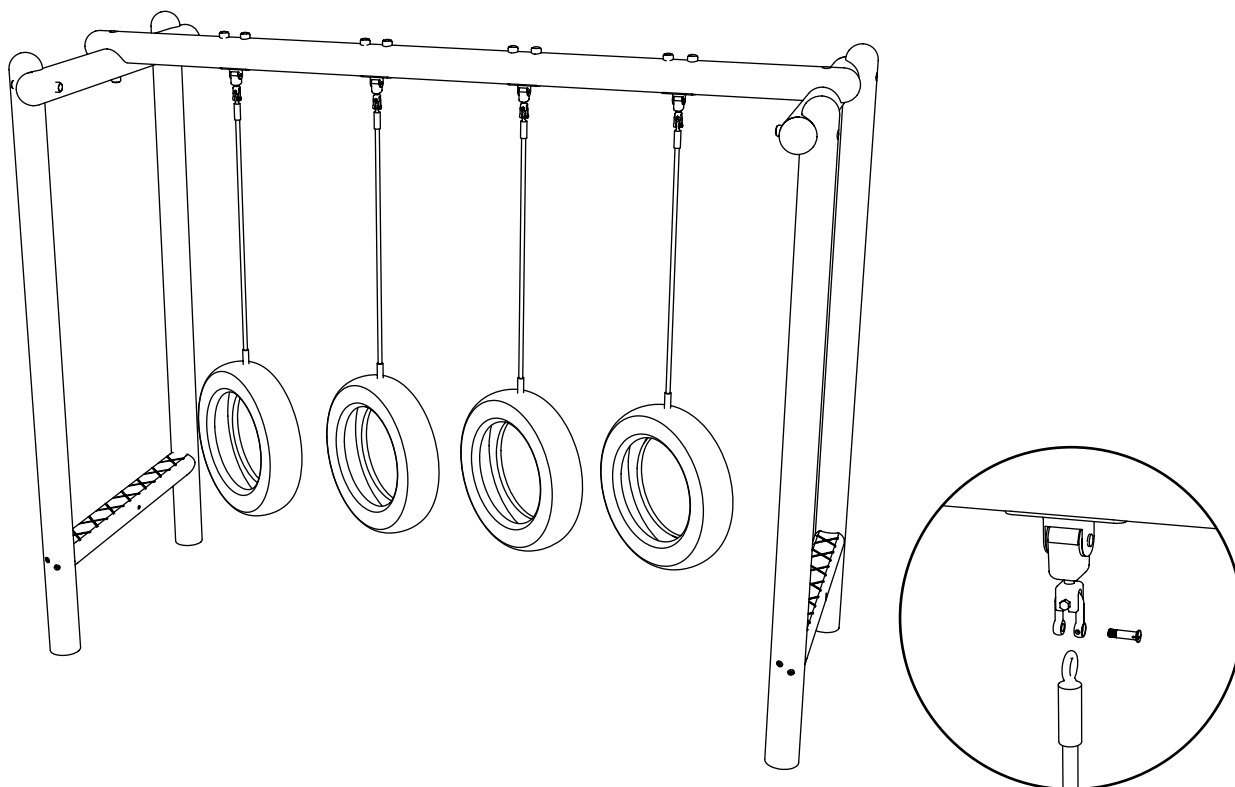
USING M12X140 BOLTS, M12 NYLOCS, ROUNDED END CAPS



6

ATTACH TYRE ASSEMBLIES TO SWING BRACKETS

AS SHOWN BELOW

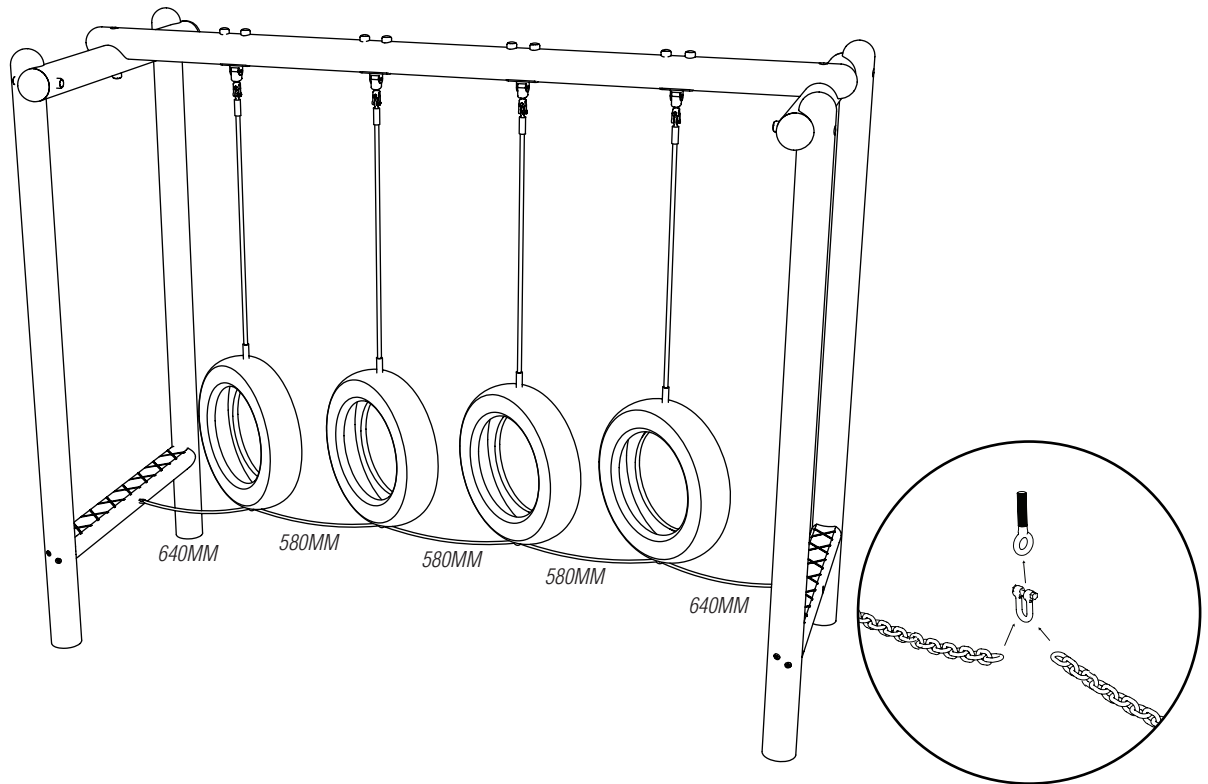


INSTALLATION INSTRUCTIONS

7

CONNECT TYRE ASSEMBLIES AND FRAMEWORK TOGETHER

USING 580MM AND 640MM CHAIN LENGTHS, D-SHACKLES & M12X50 SOCKET NUT



ADDITIONAL MEASUREMENTS

