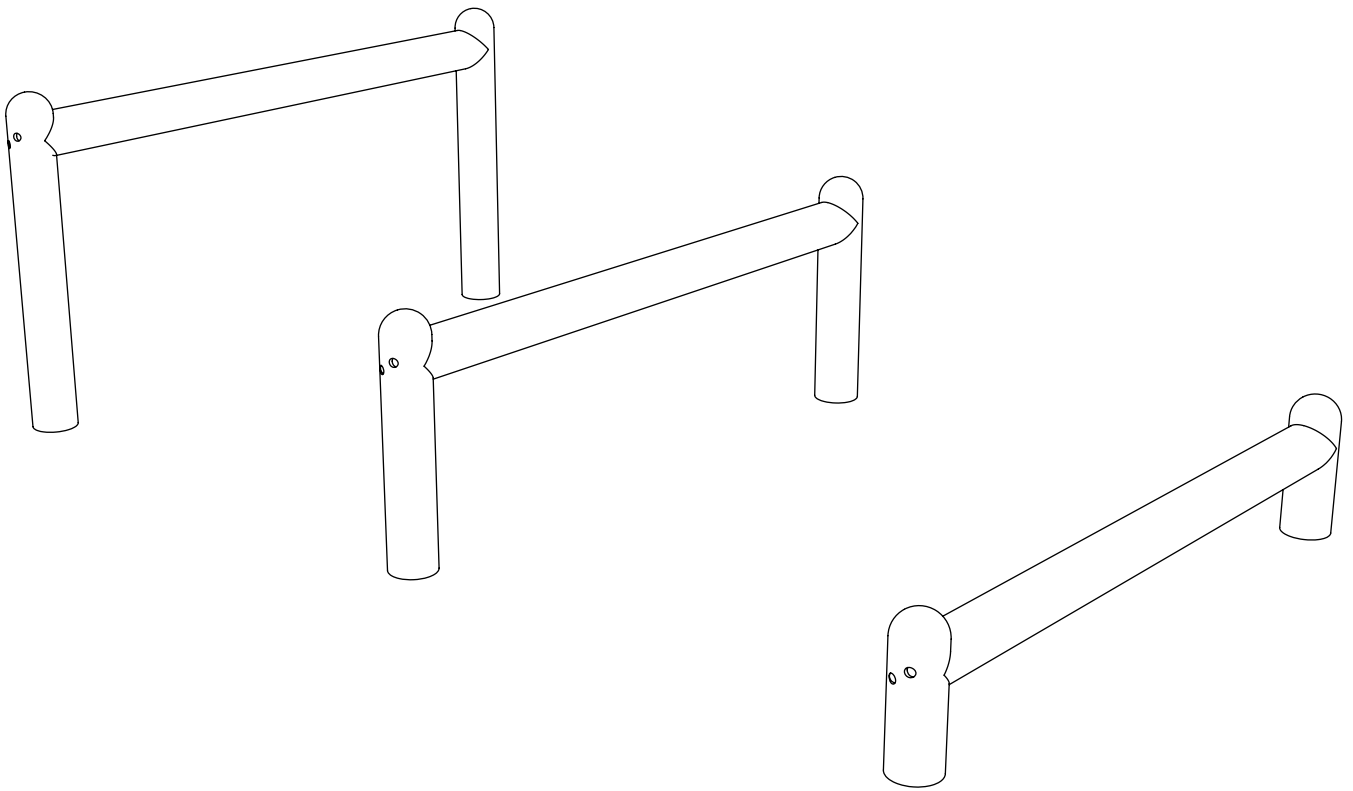


CH115-R - HURDLES

Installation Instructions

creative
play

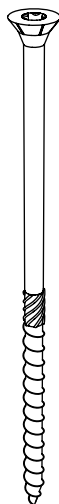


PARTS REQUIRED

TIMBER LIST

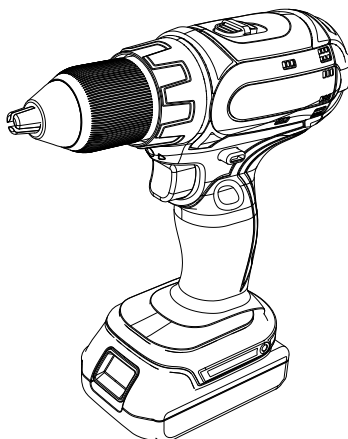
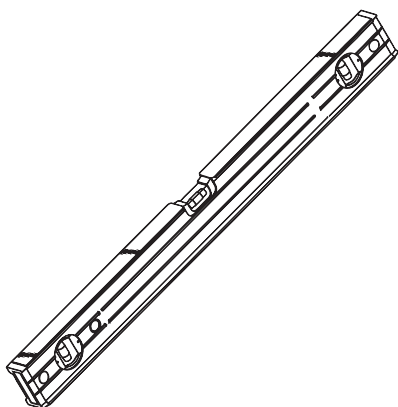
- R-115A [X2]
- R-115B [X2]
- R-115C [X2]
- R-115D [X3]

TIMBER LIST

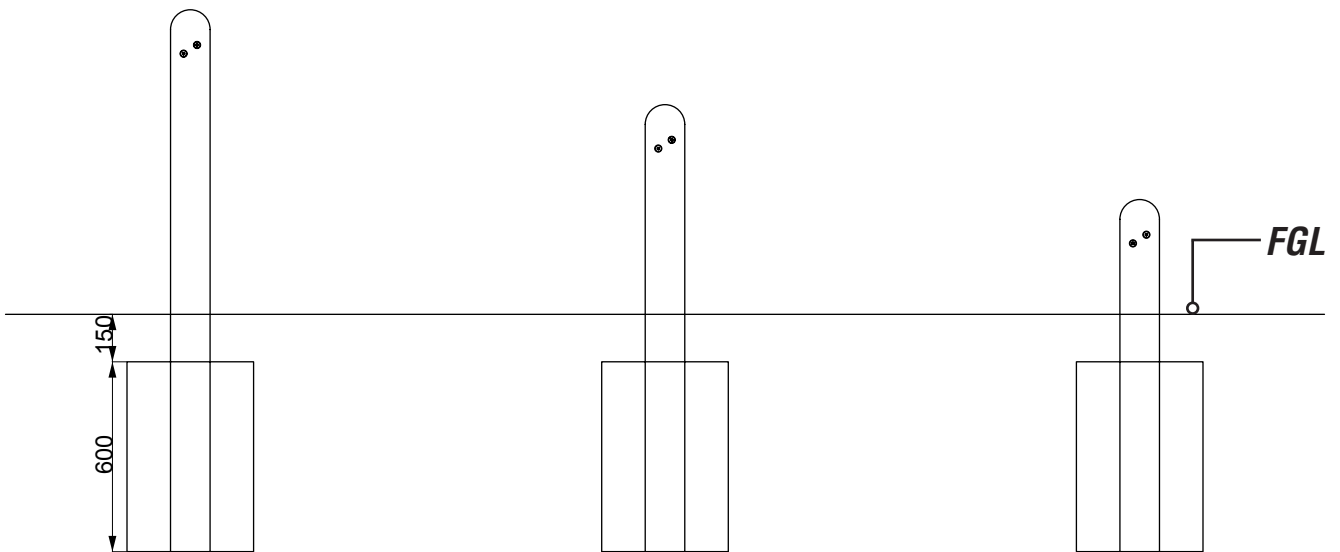
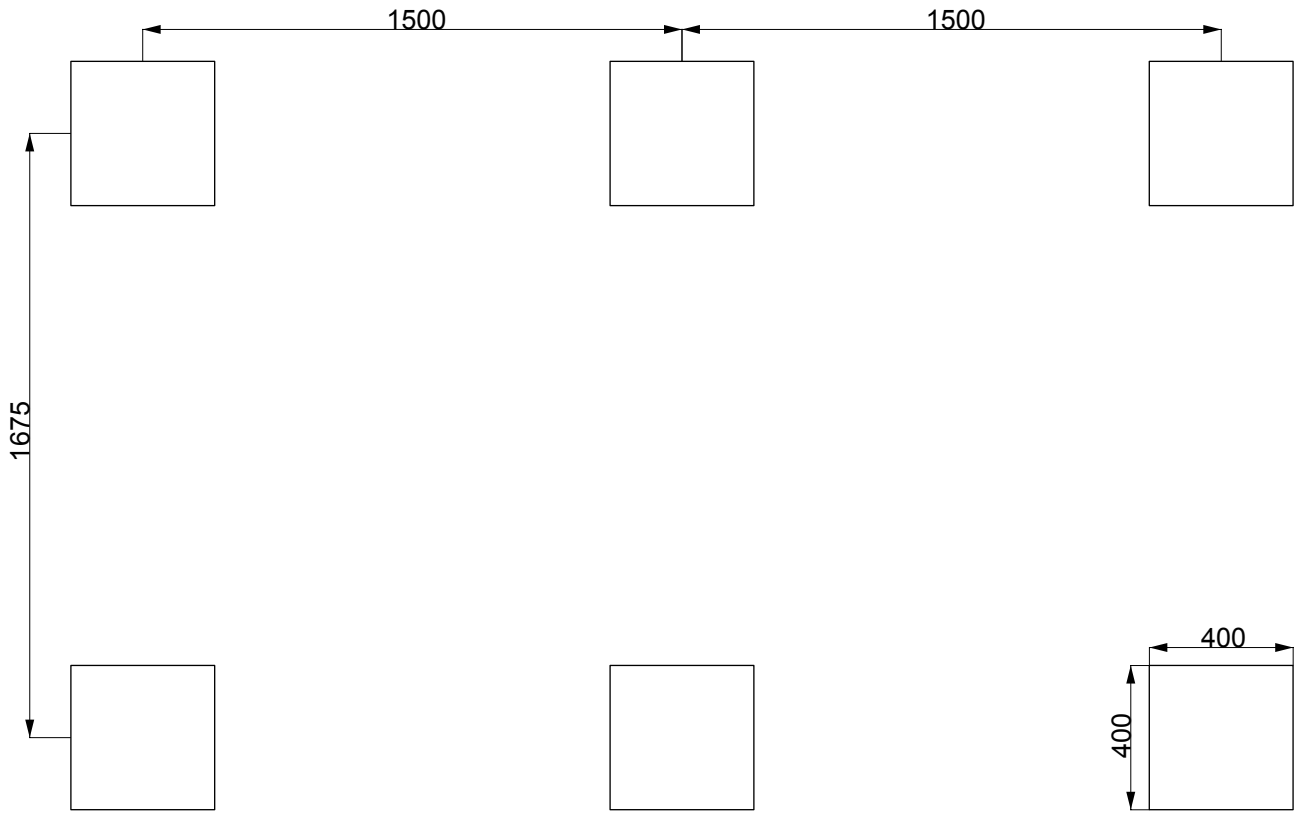


M8 X 180 SCREWS [X12]

TOOLS REQUIRED



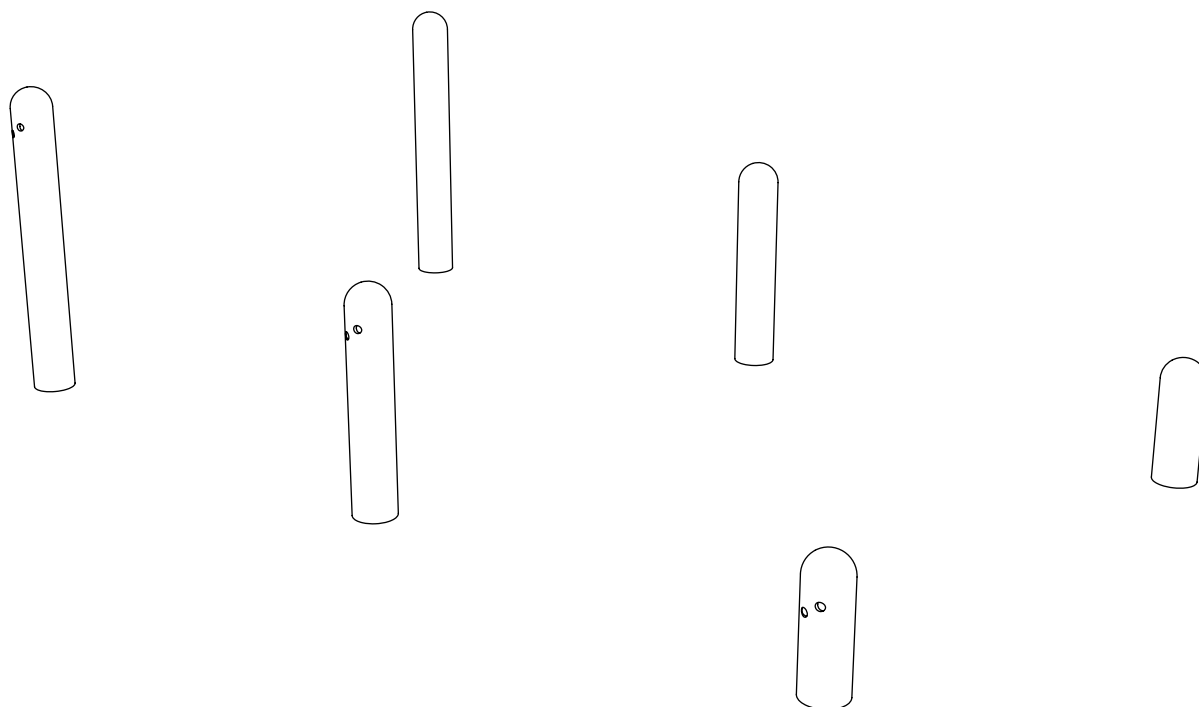
FOUNDATION DETAIL



INSTALLATION INSTRUCTIONS

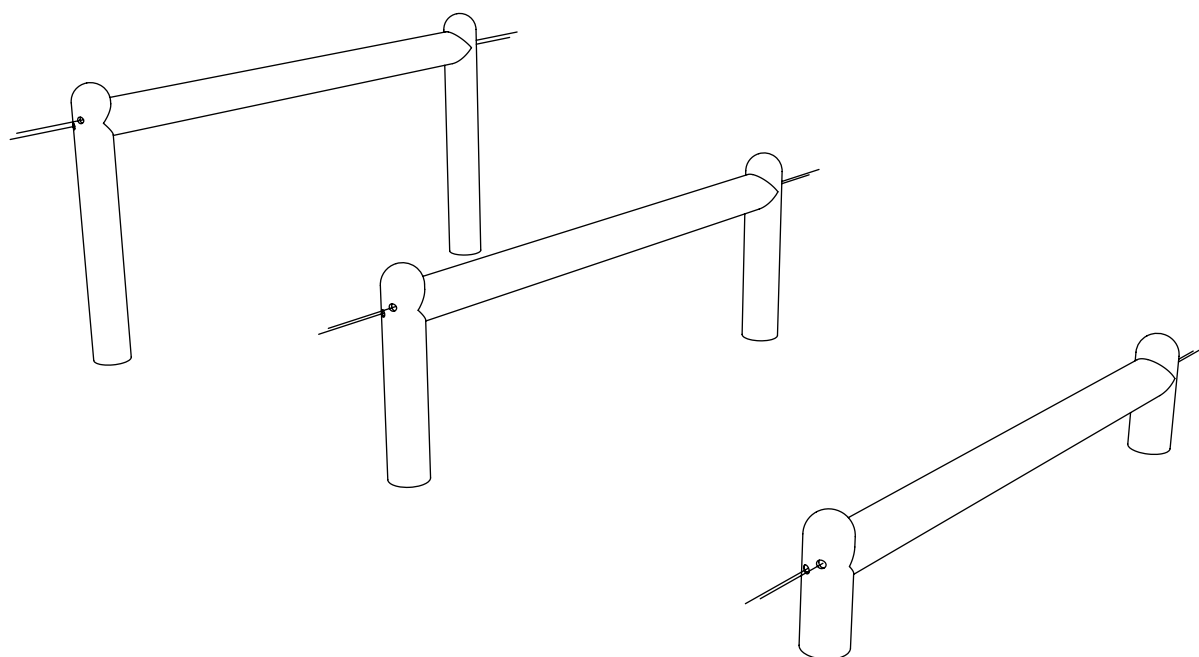
1

INSTALL R-115A, R-115B, R-115C TIMBERS INTO THE GROUND
ENSURE COUNTERSINKS ARE FACING OUTWARDS



2

FIX R-115D TO INSTALLED UPRIGHT TIMBERS
USING M18X180 SCREWS



ADDITIONAL MEASUREMENTS

