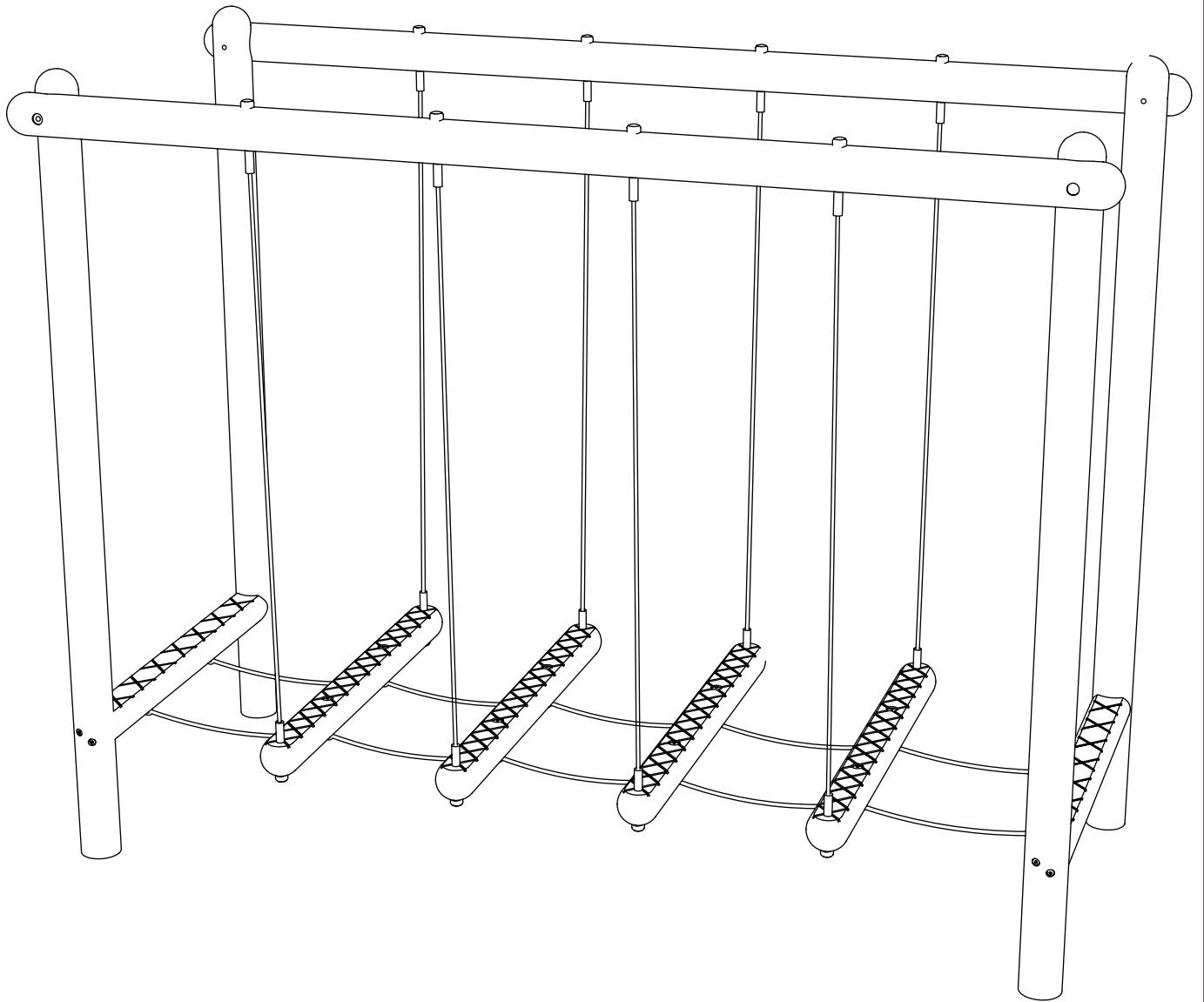


# **CH114-R - LOG WALK**

## ***Installation Instructions***

**creative  
play**

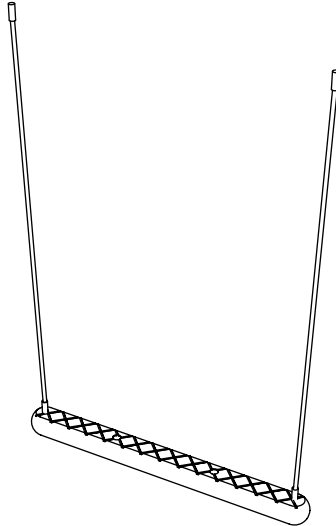


# PARTS REQUIRED

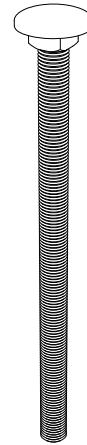
## TIMBER LIST

- R-114A [X4]
- R-114B [X2]
- R-114C [X2]

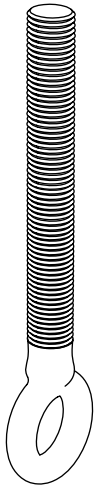
## TIMBER LIST



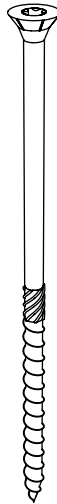
LOG WALK ASSEMBLY [X4]



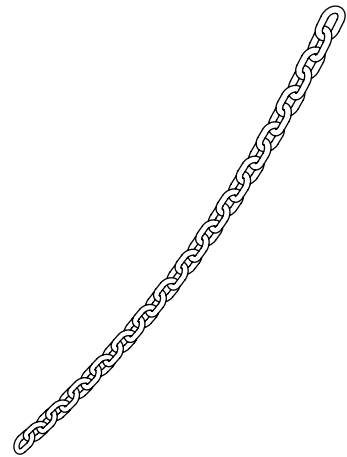
M12 X 200 BOLTS [X4]



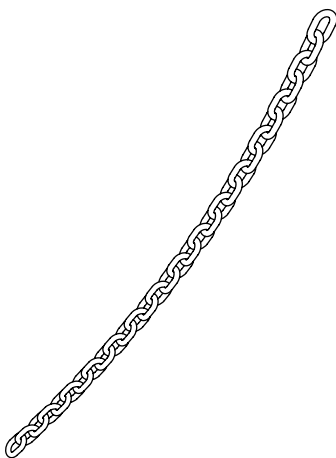
M12 X 100 EYEBOLT [X12]



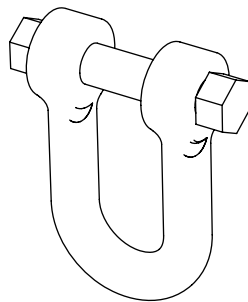
M8 X 180 SCREWS [X8]



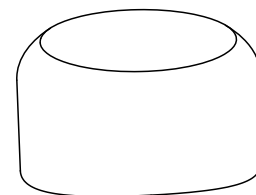
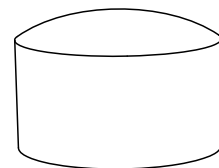
580MM CHAIN [X6]



650MM CHAIN [X4]



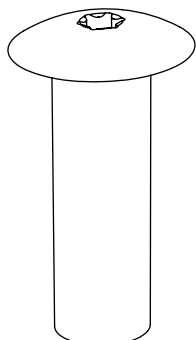
M8 D-SHACKLE [X12]



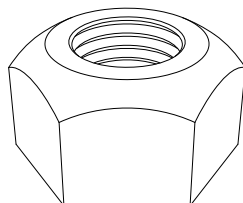
COVERED END R-60 [X12]

# ***PARTS REQUIRED***

---



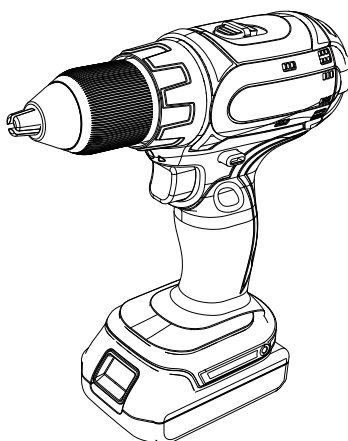
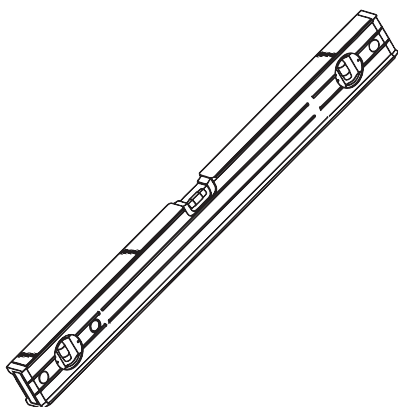
***M12 X 50 SOCKET NUT [X12]***



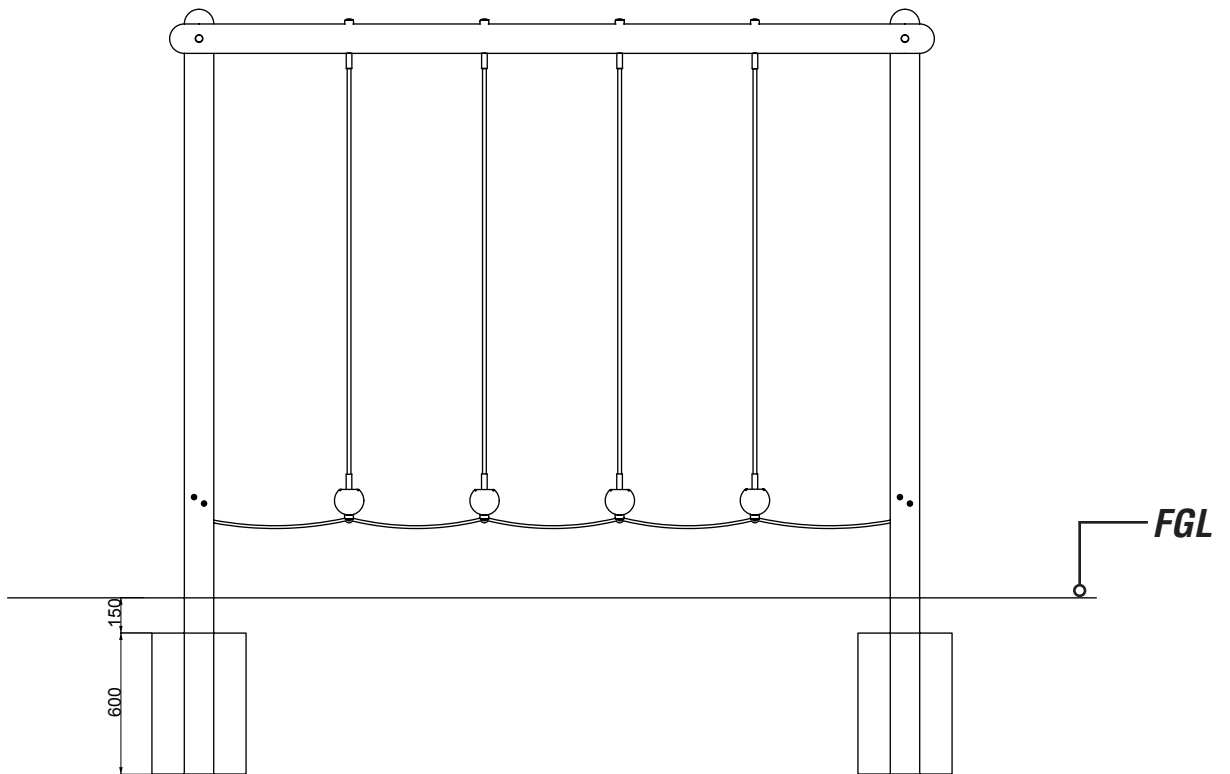
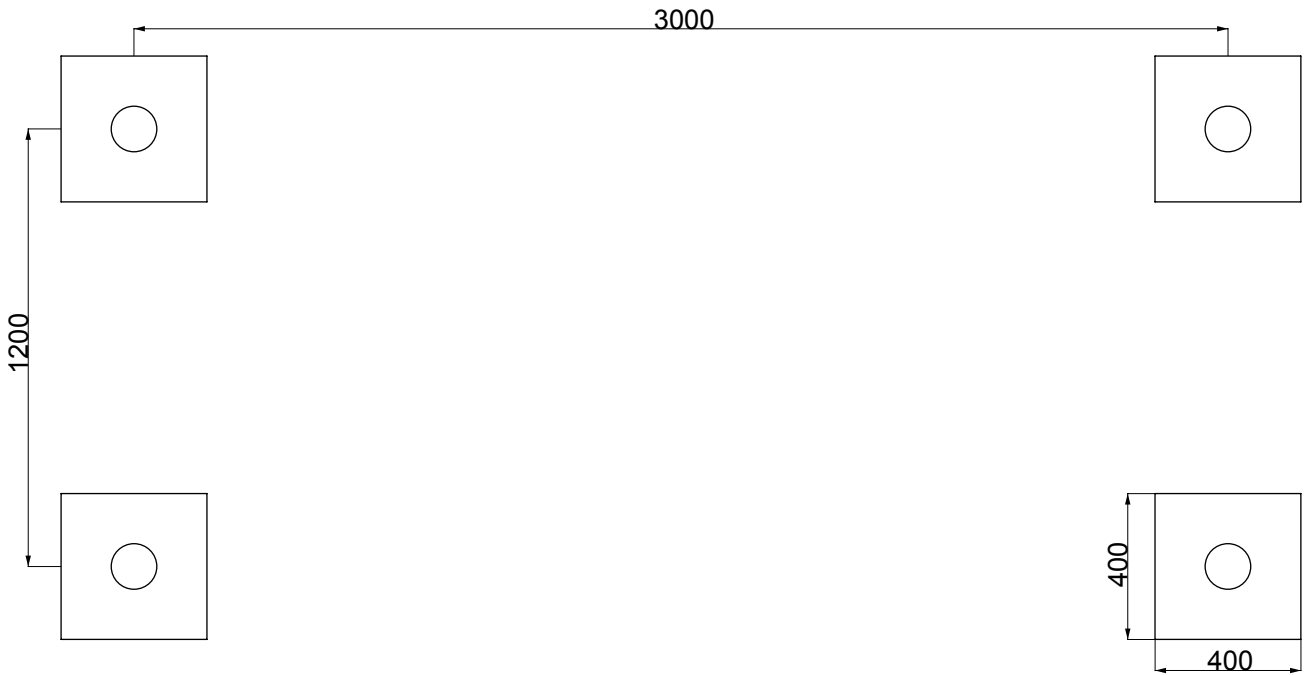
***M12 NYLOCS [X12]***

# ***TOOLS REQUIRED***

---



# FOUNDATION DETAIL



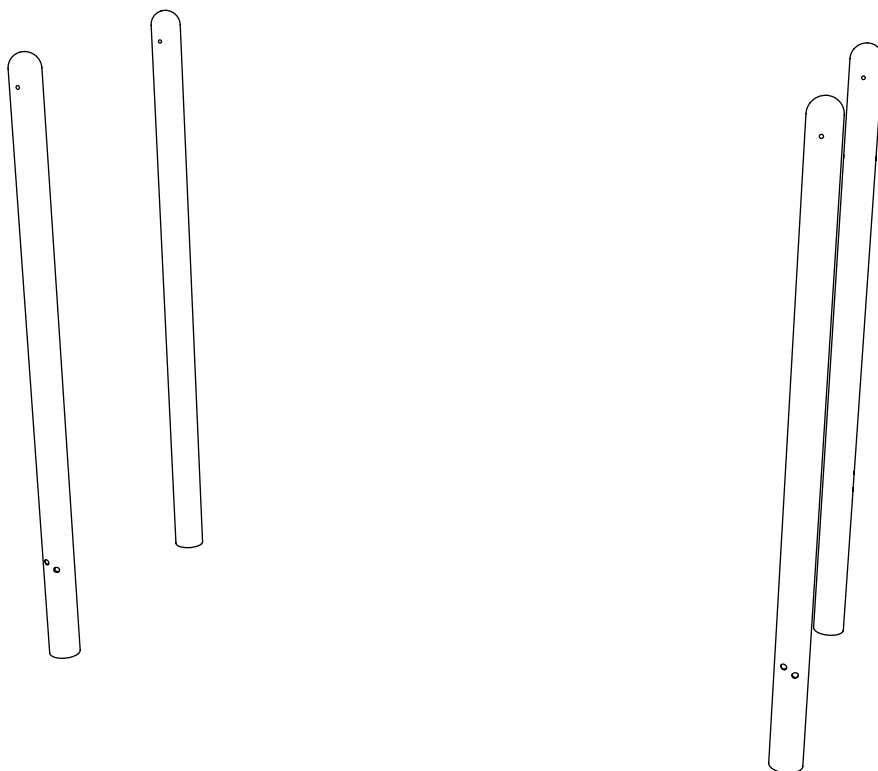
# INSTALLATION INSTRUCTIONS

---

**1**

## **INSTALL R-114A TIMBERS INTO THE GROUND**

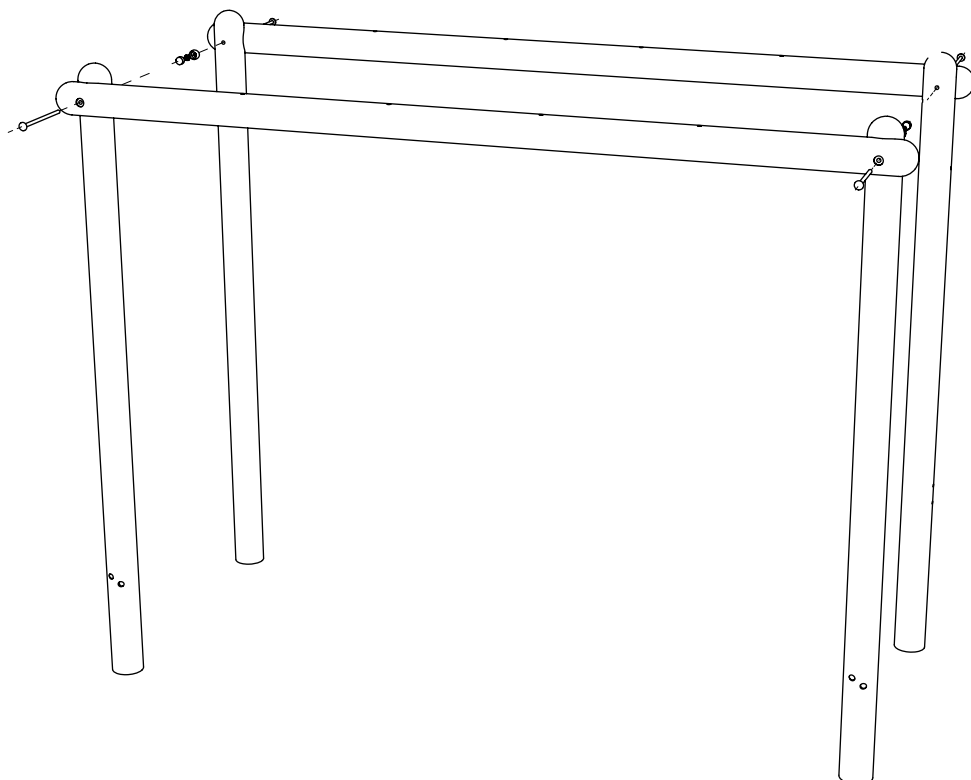
*ENSURE COUNTERSINKS ARE FACING OUTWARDS*



**2**

## **FIX R-114B TO R-114A - ON THE OUTSIDE**

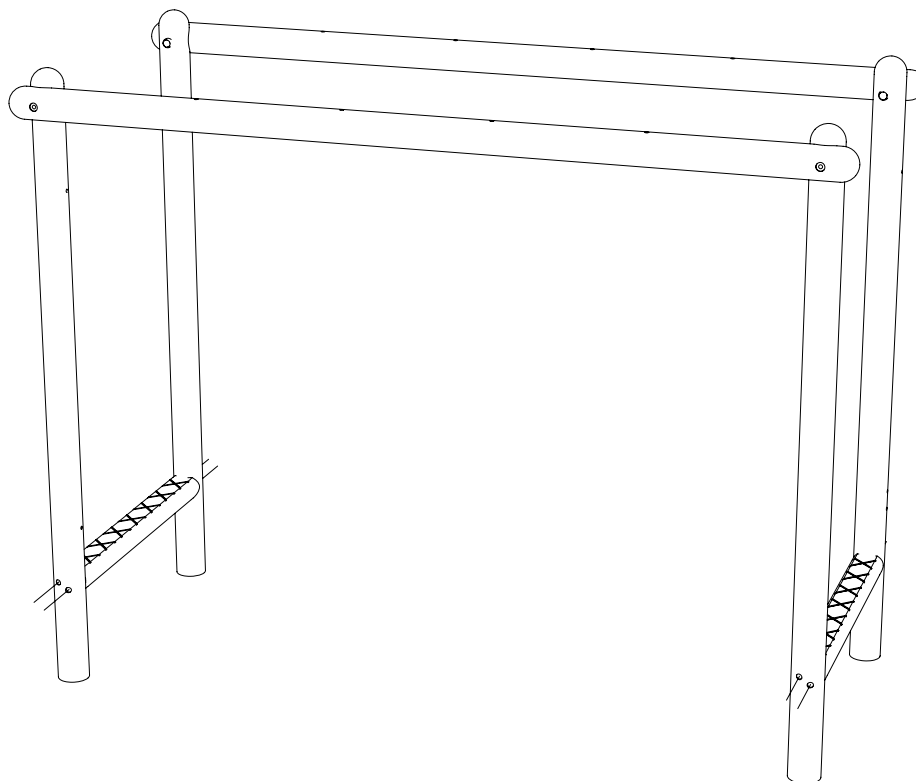
*USING M12X200 BOLTS, NYLOCS AND END CAPS*



# INSTALLATION INSTRUCTIONS

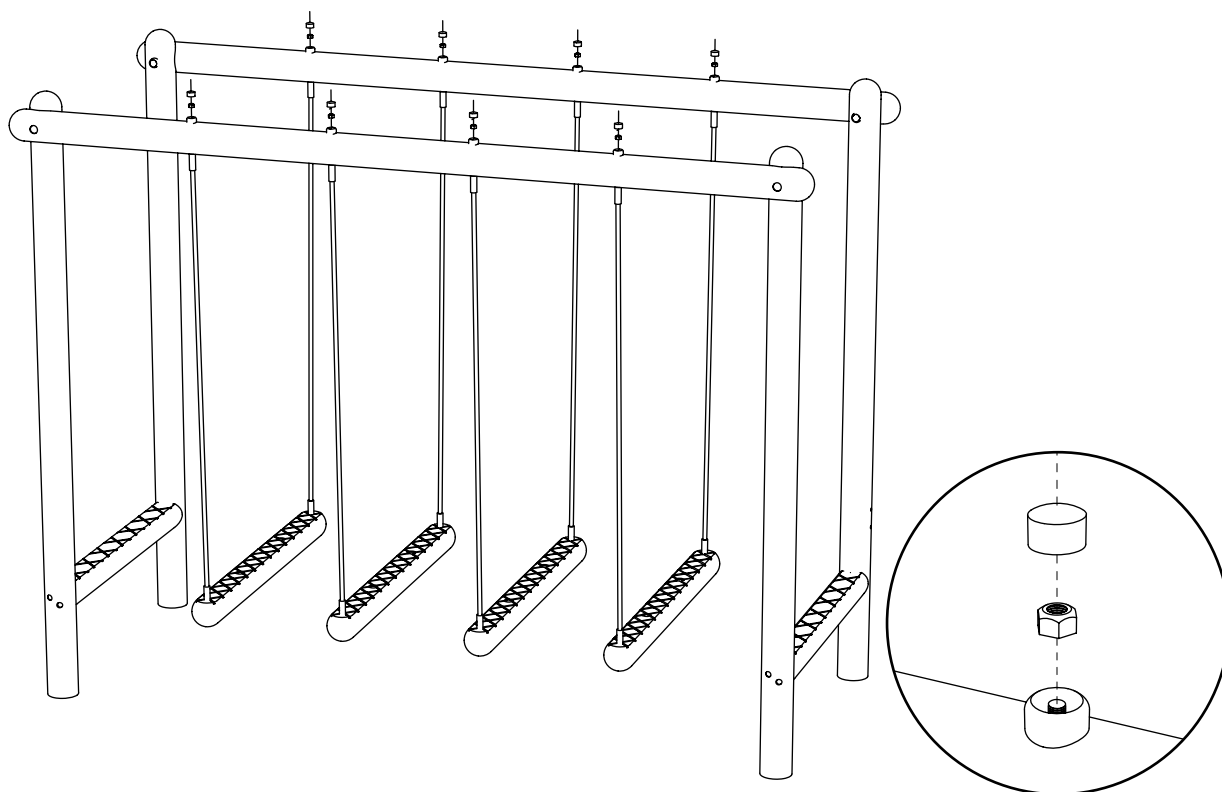
**3**

**INSTALL R-114C BETWEEN R-114A**  
USING M8X180 SCREWS



**4**

**ATTACH LOG WALK ASSEMBLIES TO R-114B TIMBERS**  
USING M12 NYLOCS AND ROUNDED END CAPS

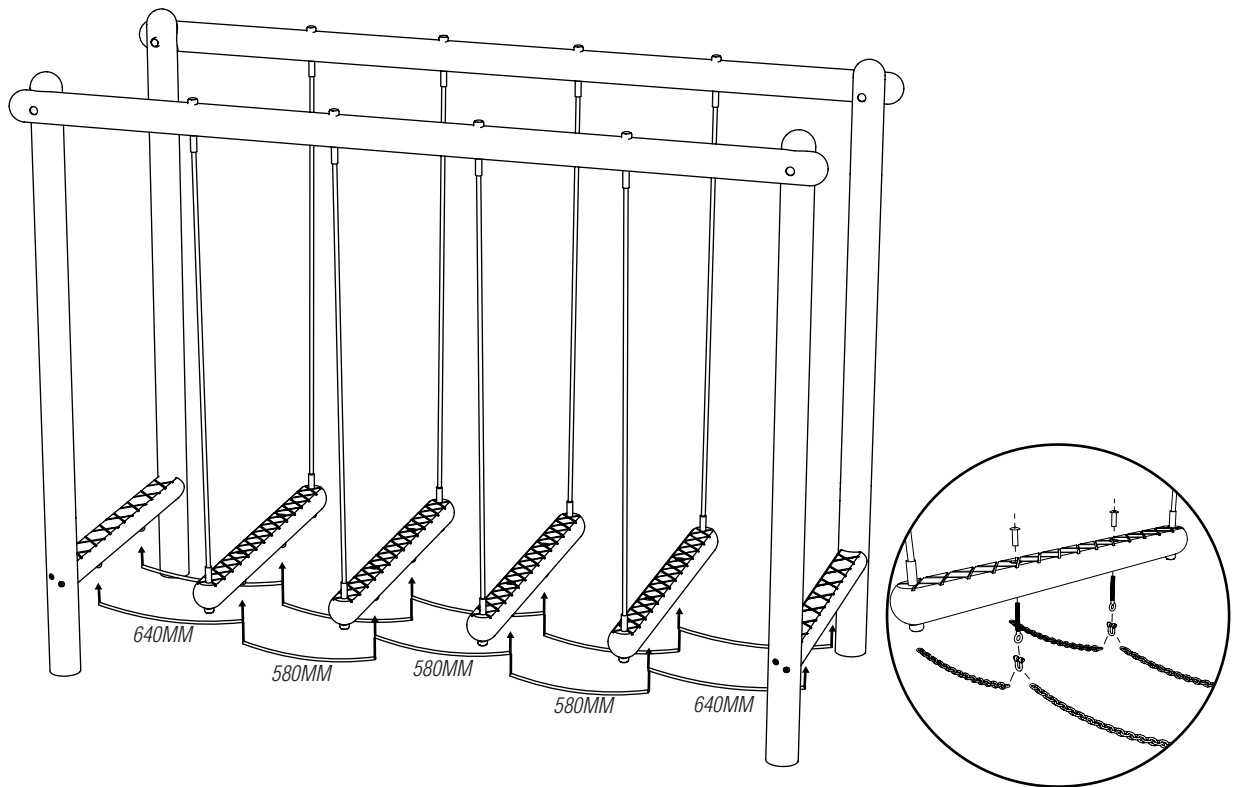


# INSTALLATION INSTRUCTIONS

**5**

## CONNECT LOG WALK ASSEMBLIES AND FRAMEWORK TOGETHER

USING 580MM AND 640MM CHAIN LENGTHS, M12X100 EYEBOLTS, D-SHACKLES & M12X50 SOCKET NUT



# ADDITIONAL MEASUREMENTS

---

