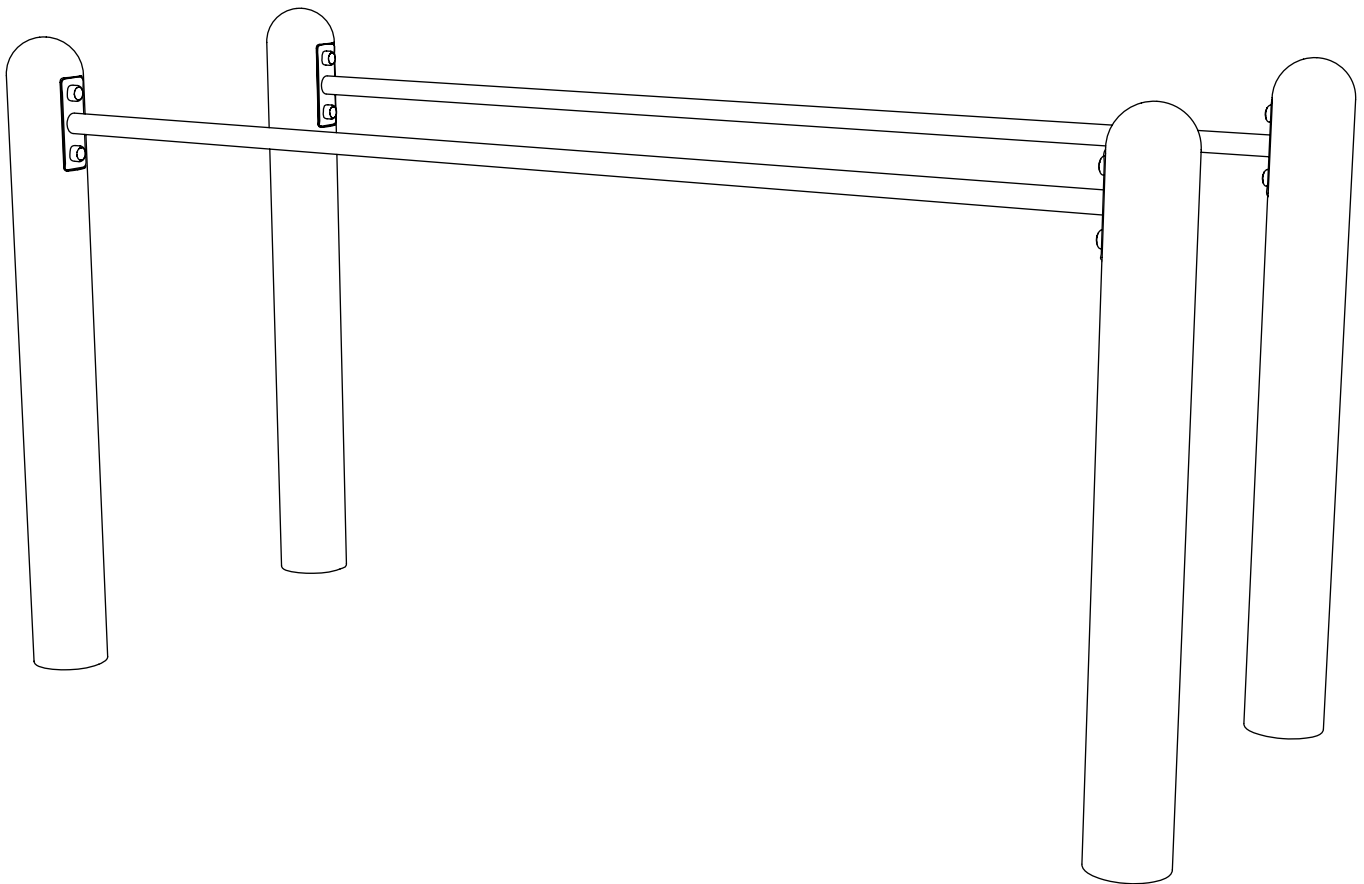


# **CH111-R - PARALLEL BARS**

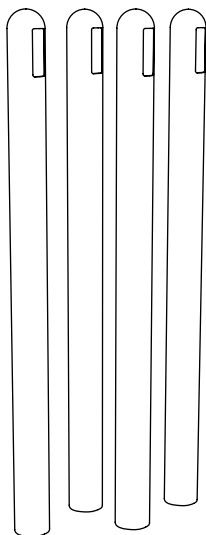
## ***Installation Instructions***

**creative  
play**

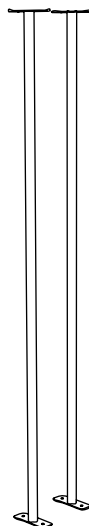


# ***PARTS REQUIRED***

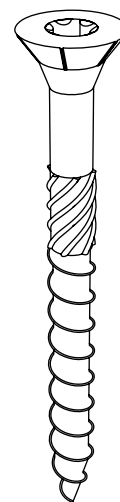
---



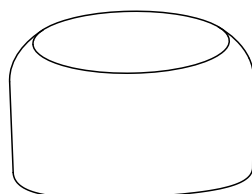
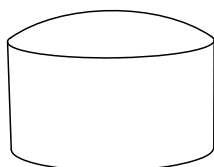
***R-111A TIMBERS [X4]***



***STANDARD BAR [X2]***



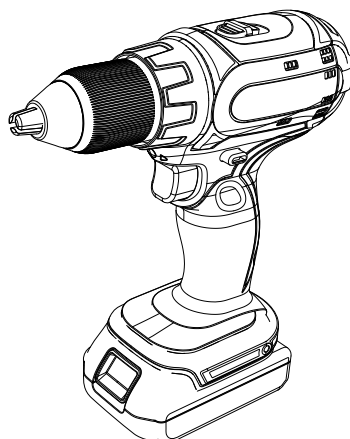
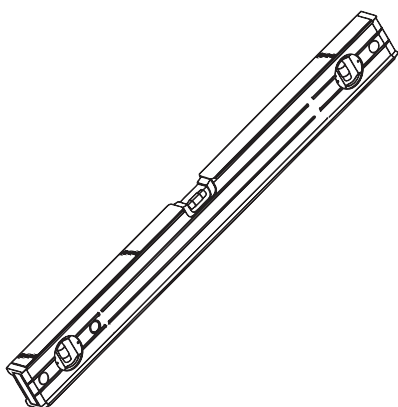
***M8X80 CSK [X8]***



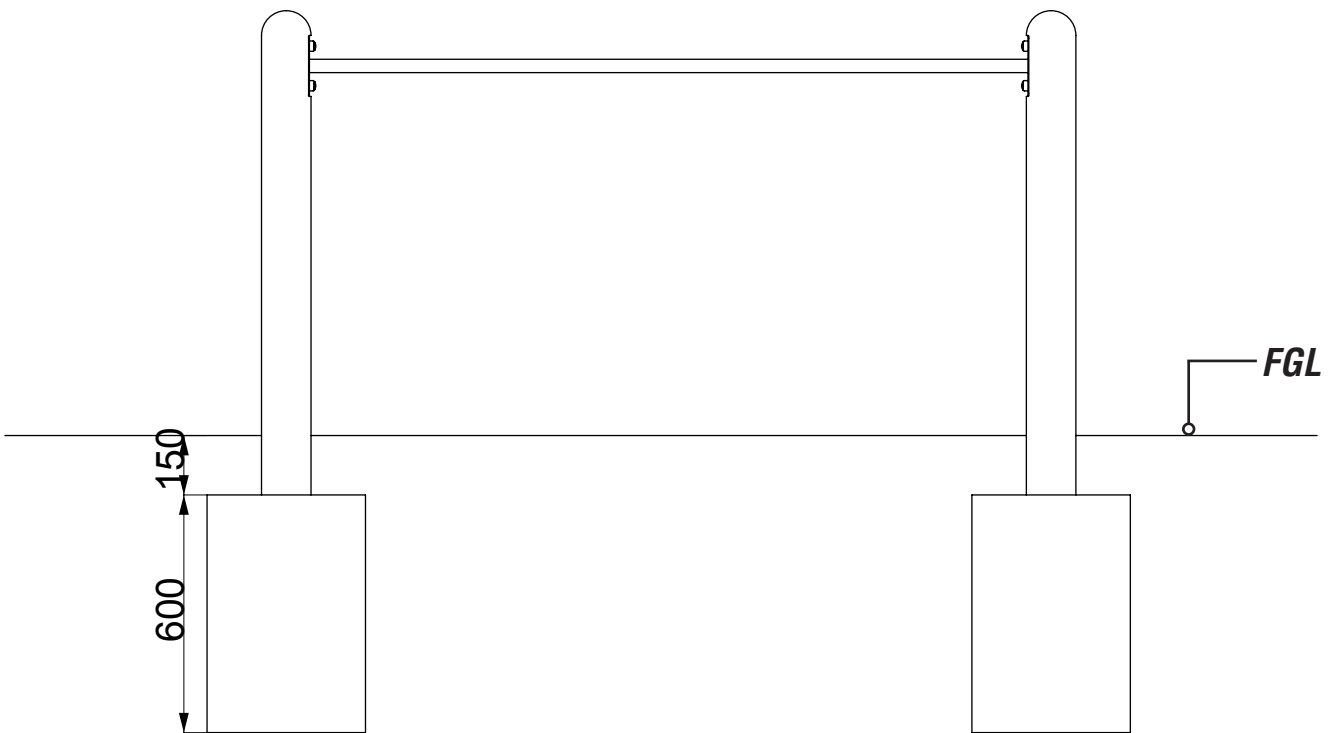
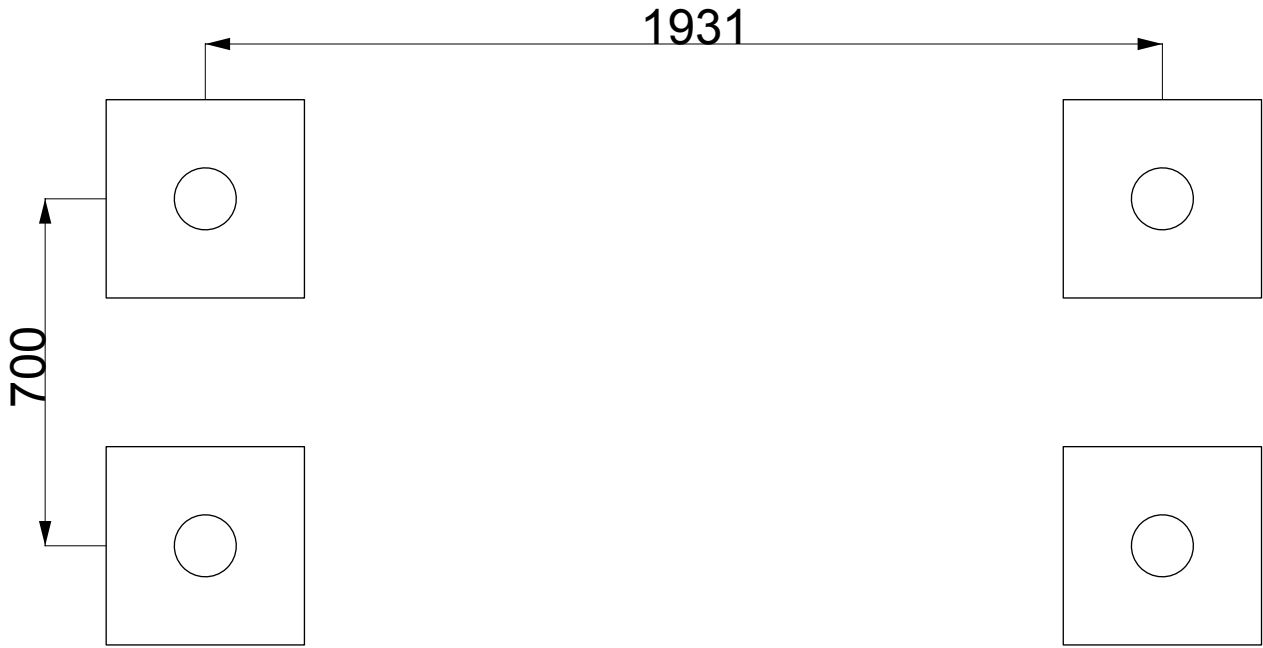
***102001-0 [X8]***

# ***TOOLS REQUIRED***

---



# FOUNDATION DETAIL



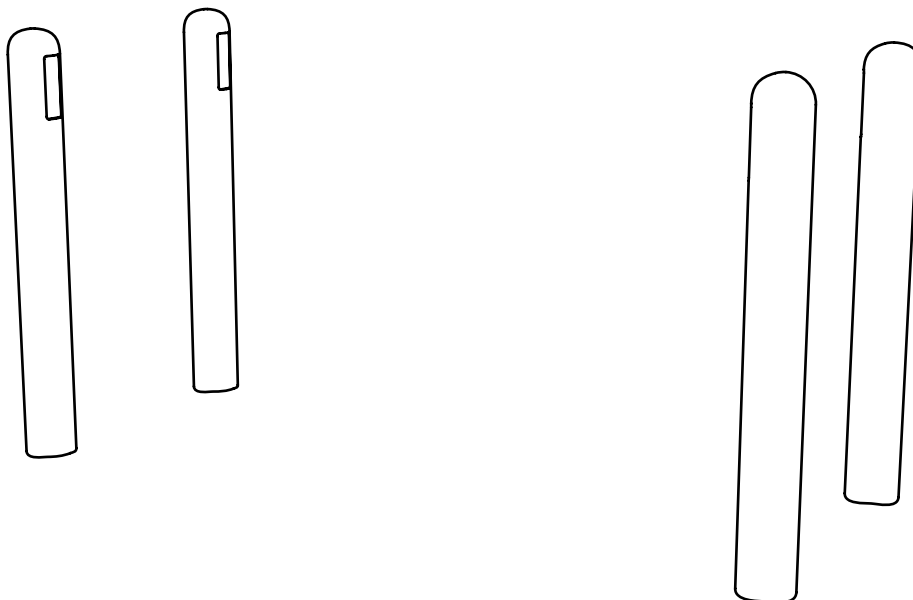
# INSTALLATION INSTRUCTIONS

---

**1**

## **INSTALL R-111A INTO THE GROUND**

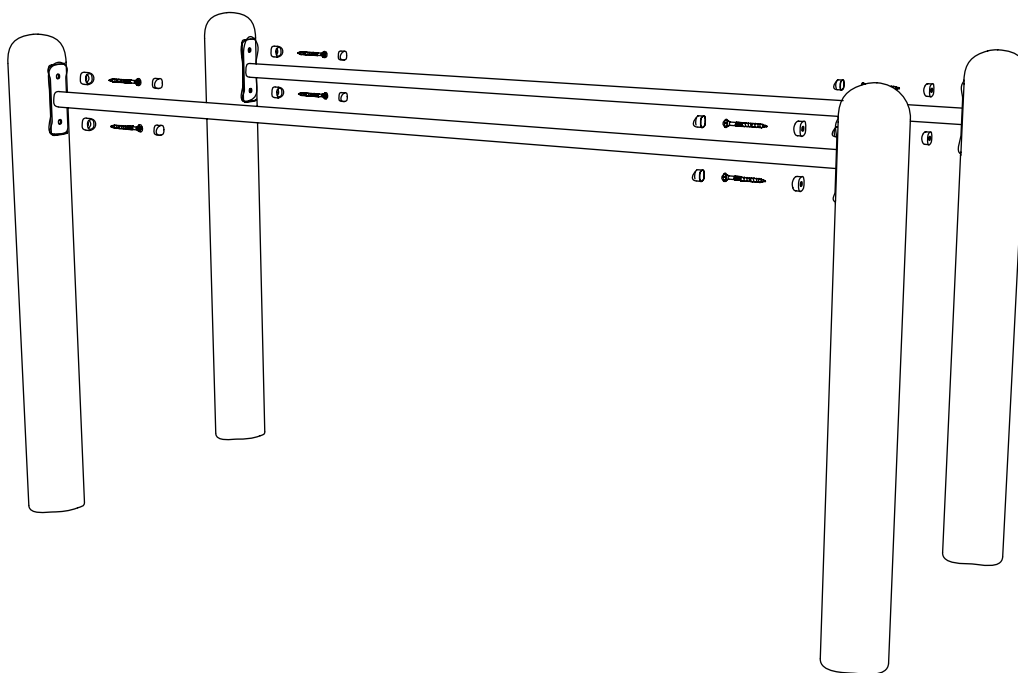
*ENSURE REBATES ARE FACING THE CORRECT WAY - SHOWN BELOW*



**2**

## **ATTACH STANDARD BARS TO R-111A TIMBERS**

*USING M8X80 SCREWS AND 102001-0*



# ***ADDITIONAL MEASUREMENTS***

---

