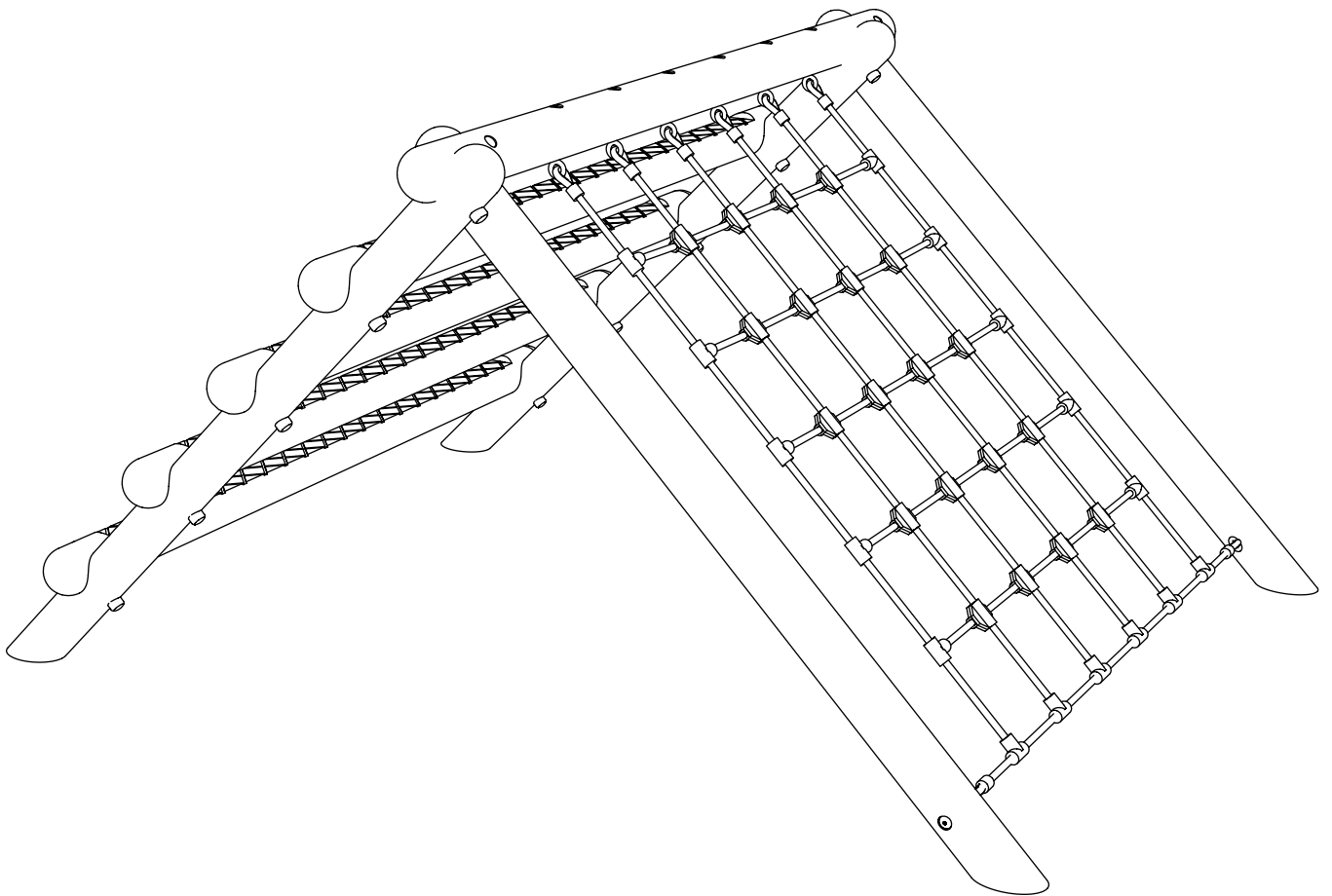


CH107-R - SCRAMBLE NET

Installation Instructions

**creative
play**

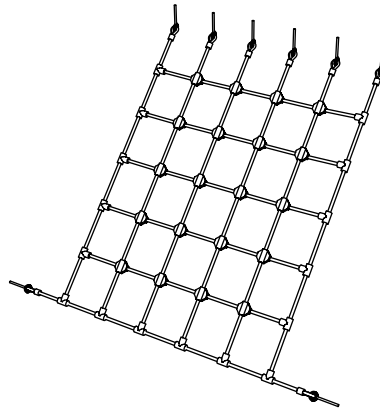


PARTS REQUIRED

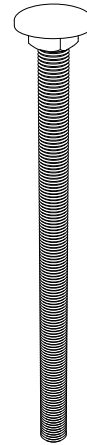
TIMBER LIST

- R-107A [X1]
- R-107B [X4]
- R-107C [X2]
- R-107D [X1]
- R-107E [X1]

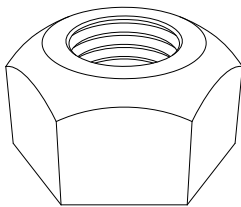
TIMBER LIST



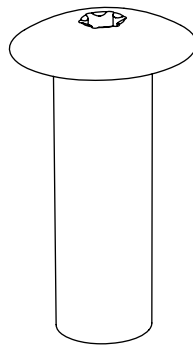
NET ASSEMBLY [X1]



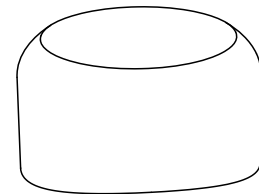
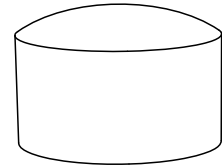
M12 X 200 BOLTS [X12]



M12 NYLOCS [X12]

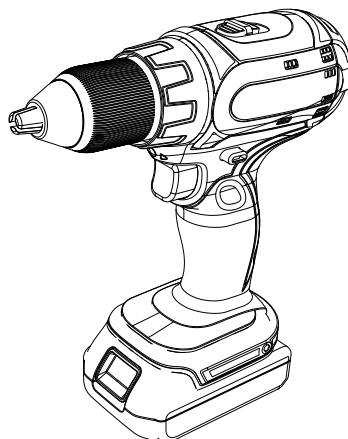
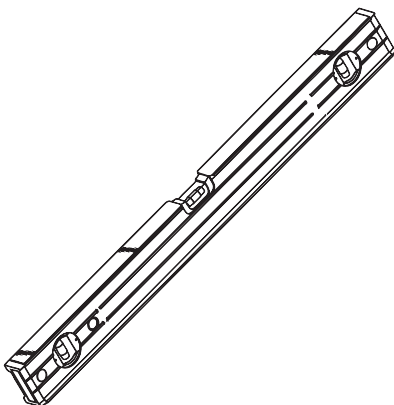


M10 X 40 SOCKET NUT [X8]

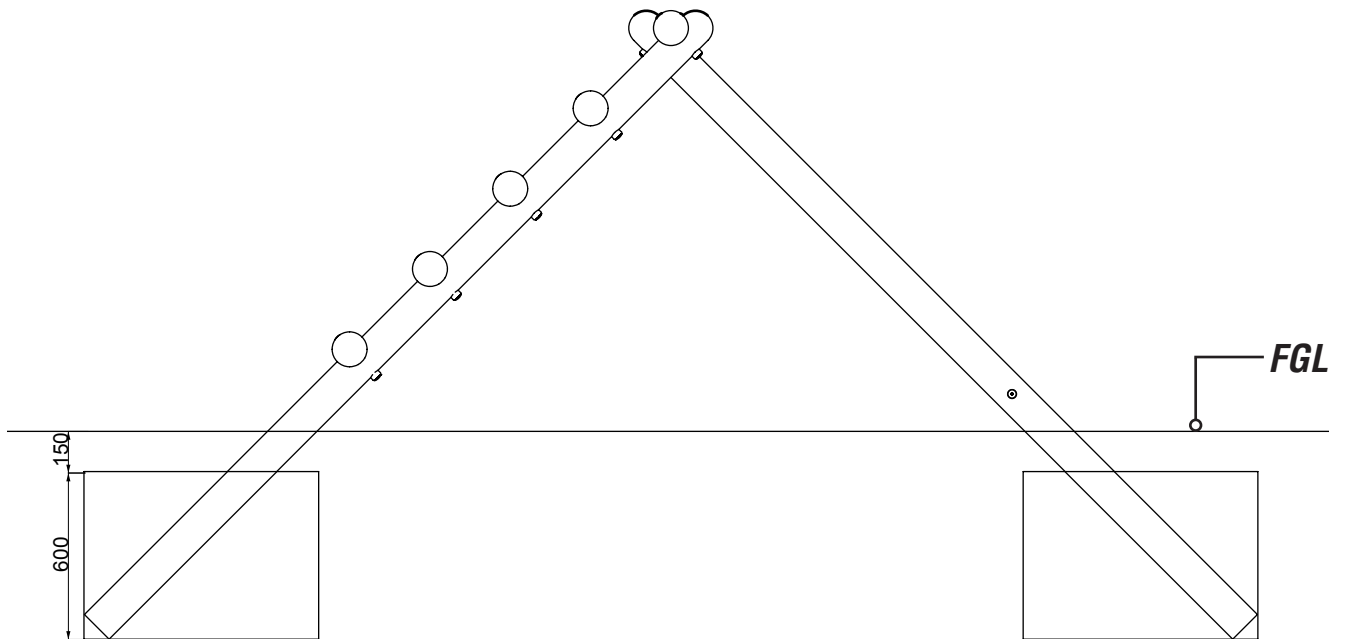
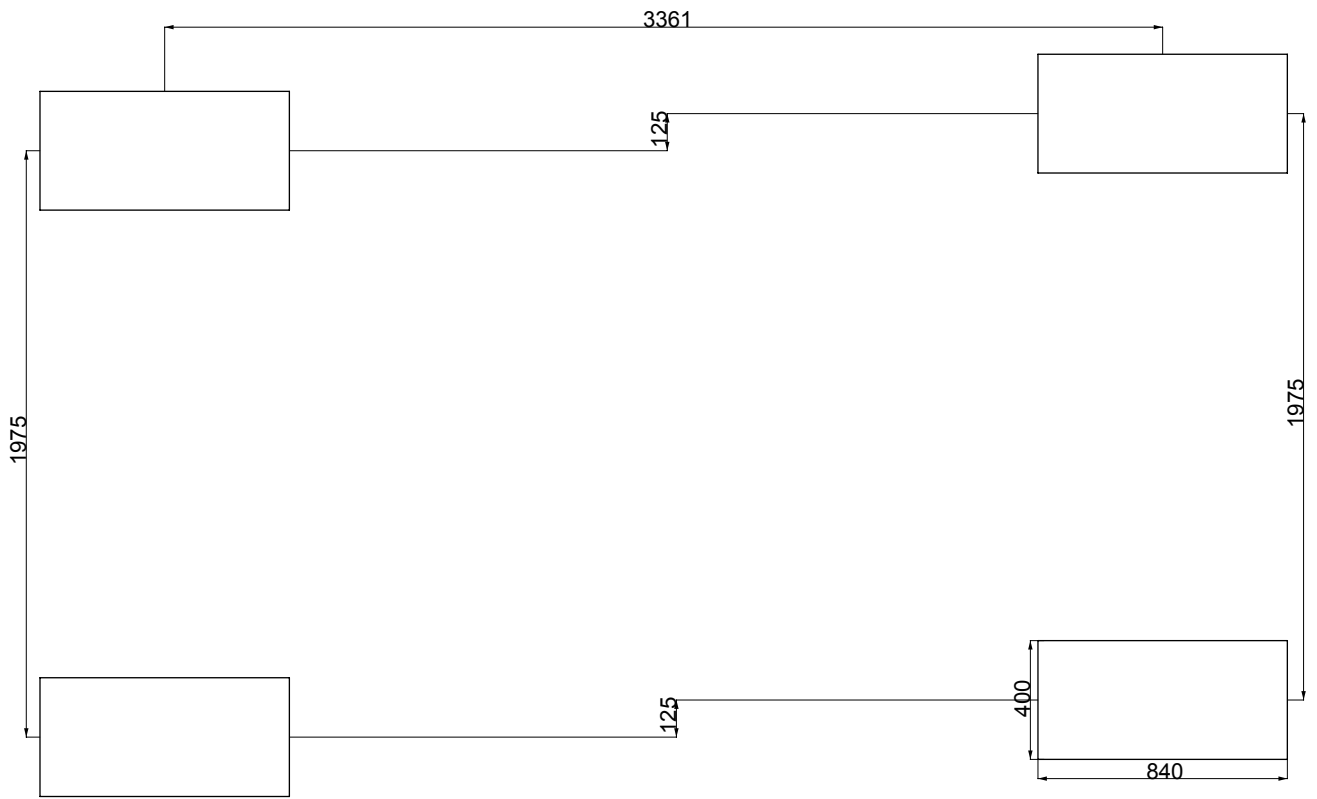


COVERED END R-60 [X12]

TOOLS REQUIRED



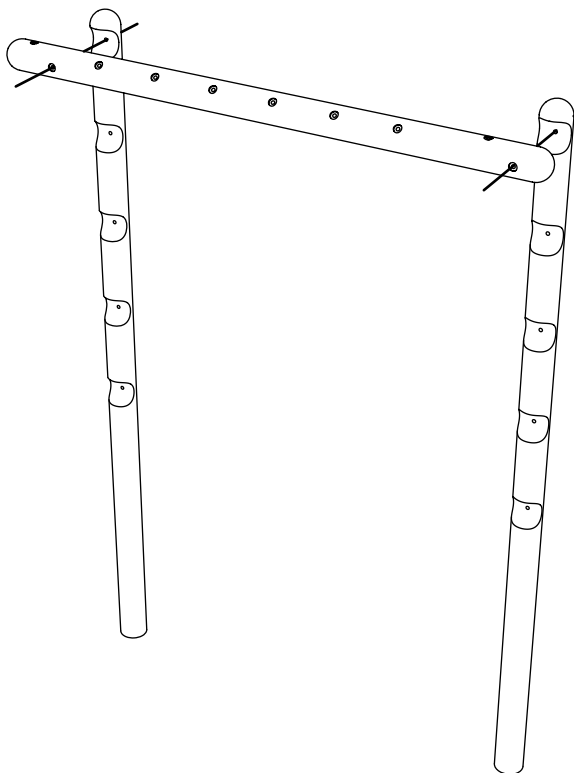
FOUNDATION DETAIL



INSTALLATION INSTRUCTIONS

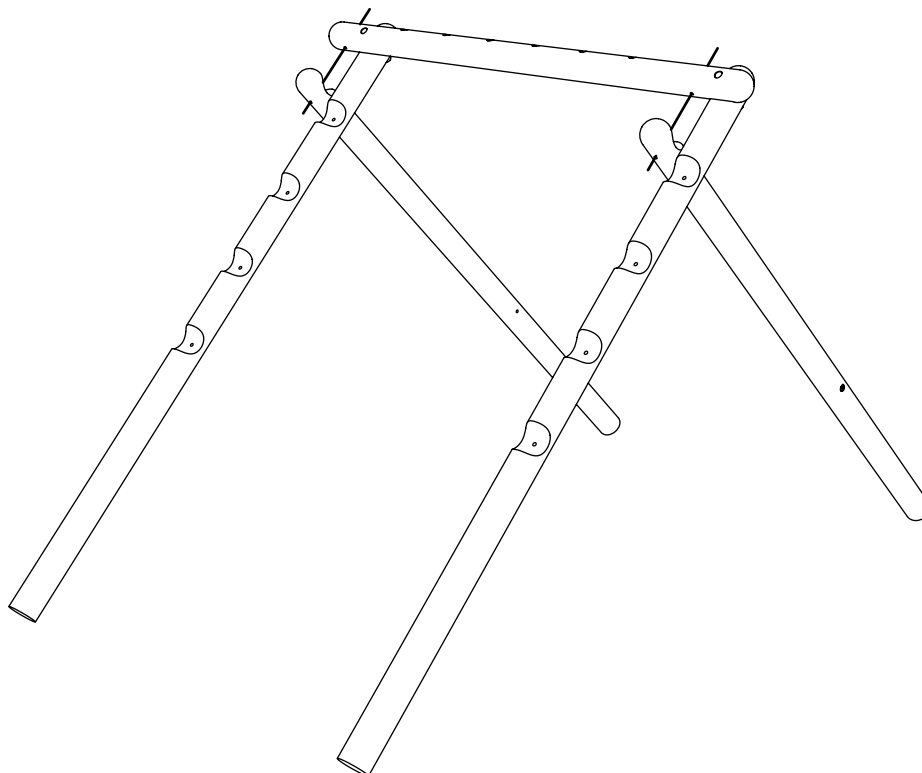
1

FIX R-107A TIMBER, 1X R-107C TIMBERS TOGETHER
USING M12X200 BOLTS, M12 NYLOCS AND END CAPS



2

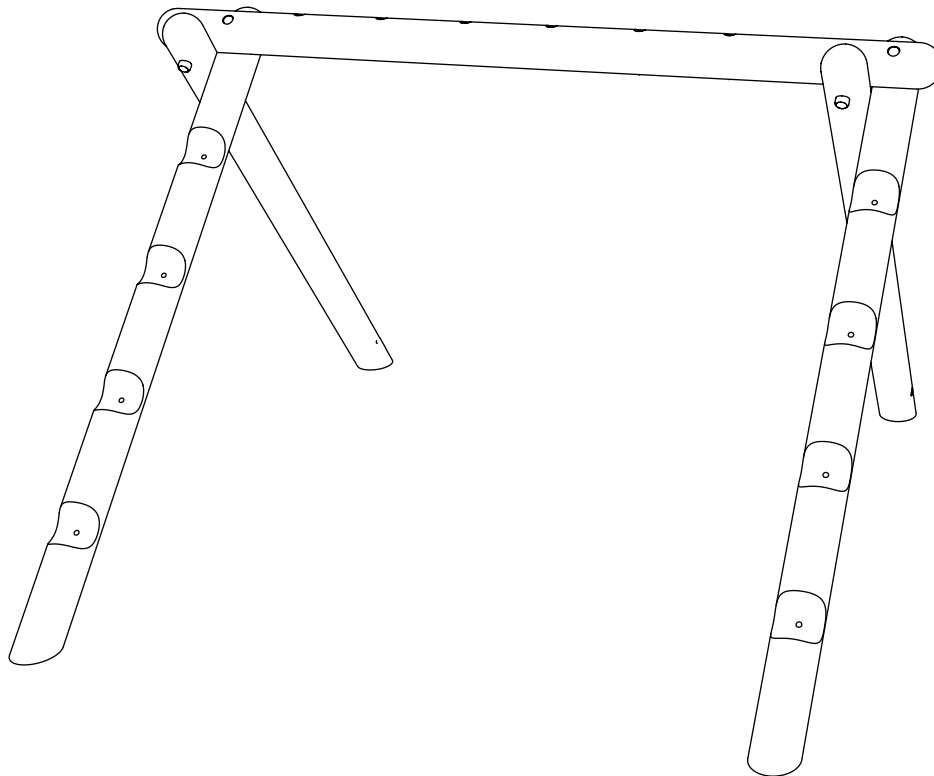
TILT ASSEMBLY FROM STEP ONE AND ATTACH 1X R-107D AND 1X R-107E
USING M12X200 BOLTS, M12 NYLOCS AND END CAPS



INSTALLATION INSTRUCTIONS

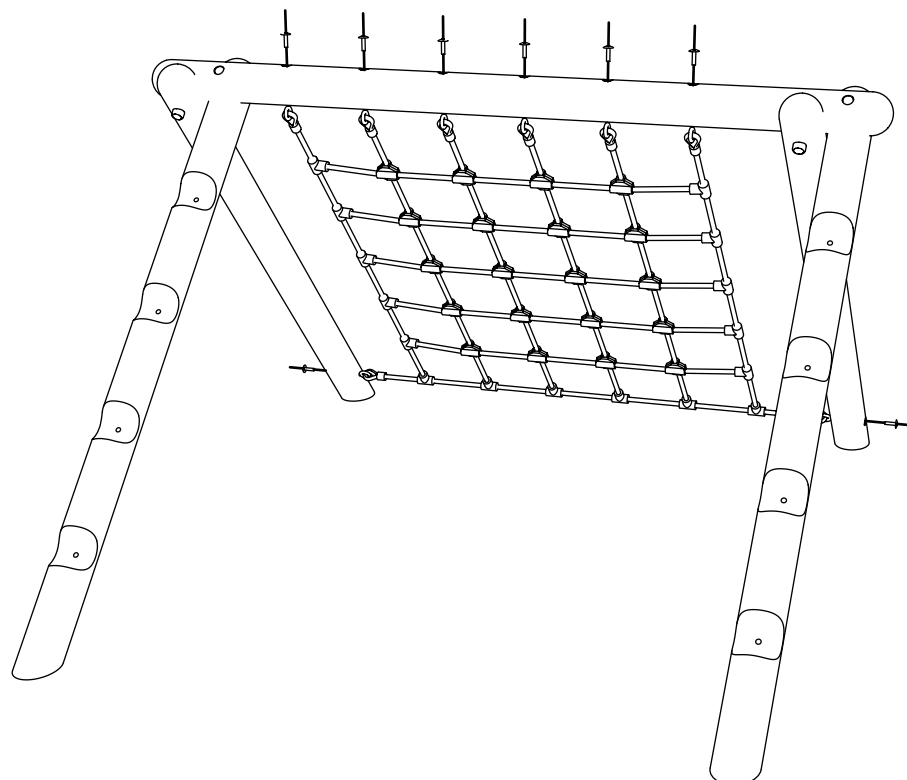
3

INSTALL CH107-R TIMBER FRAMEWORK INTO THE GROUND



4

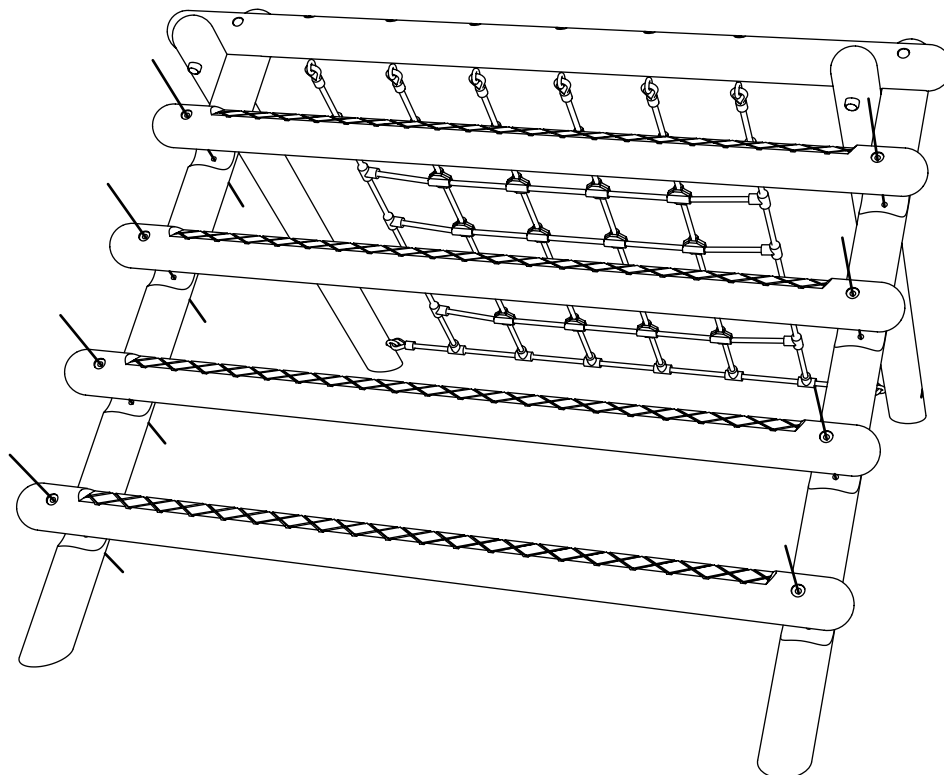
**ATTACH 1X NET ASSEMBLY
USING M10X40 SOCKET NUTS**



INSTALLATION INSTRUCTIONS

5

ATTACH R-107B TIMBERS TO R-107C TIMBERS
USING M10X40 SOCKET NUTS



ADDITIONAL MEASUREMENTS

