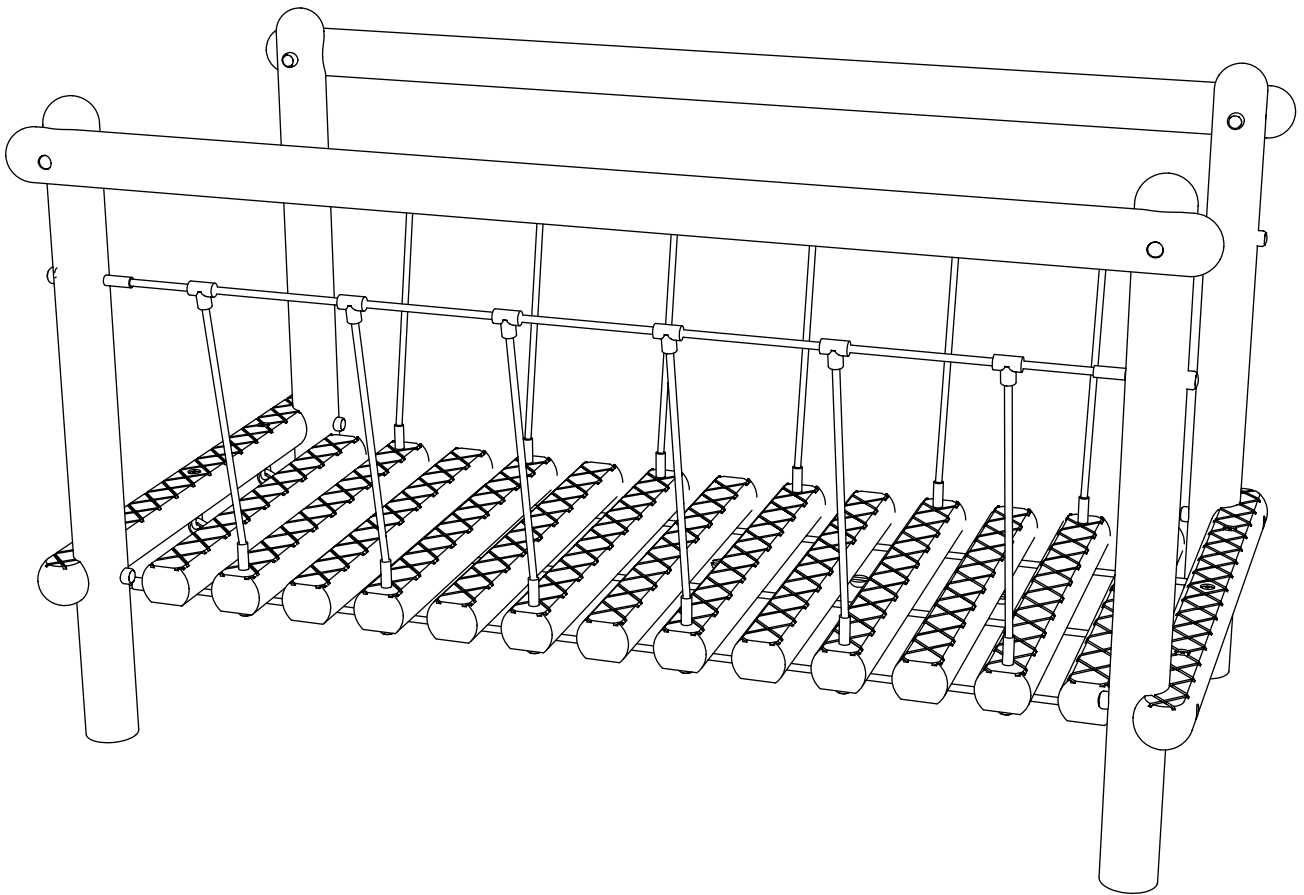


CH106-R - CLATTERBRIDGE

Installation Instructions

**creative
play**

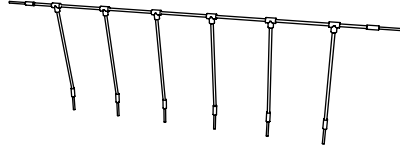


PARTS REQUIRED

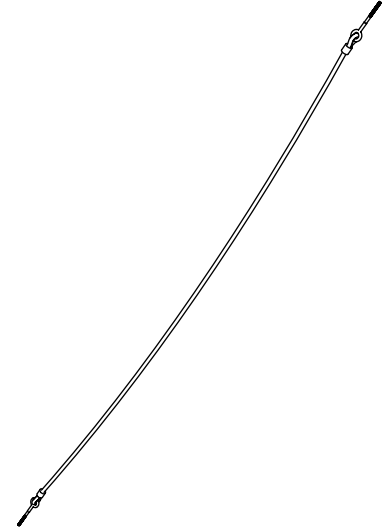
TIMBER LIST

- R-106A [X4]
- R-106B [X2]
- R-106C [X2]
- R-106D [X6]
- R-106E [X7]

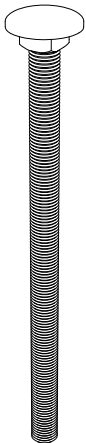
TIMBER LIST



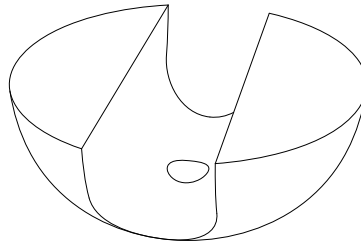
ROPE ASSEMBLY [X2]



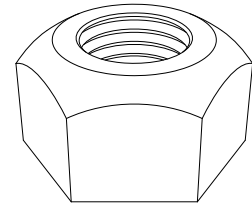
R3 [X3]



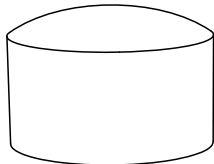
M12 X 200 BOLT [X8]



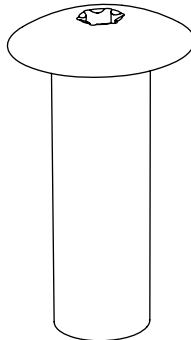
POLYFIX HALVES INC SCREWS [X39]



M12 NYLOCS [X24]



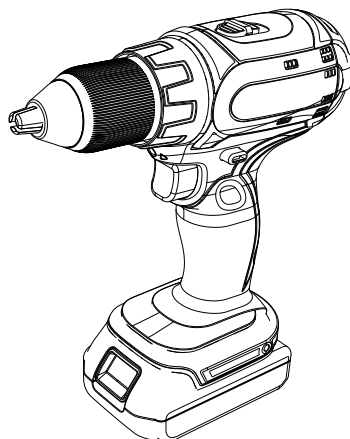
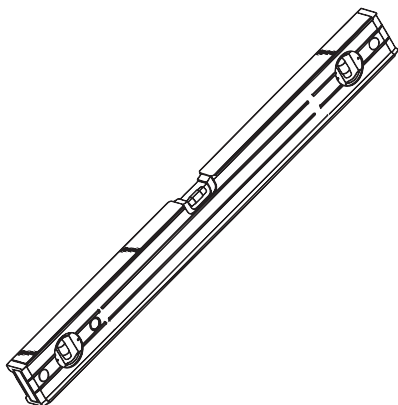
COVERED END R-60 [X24]



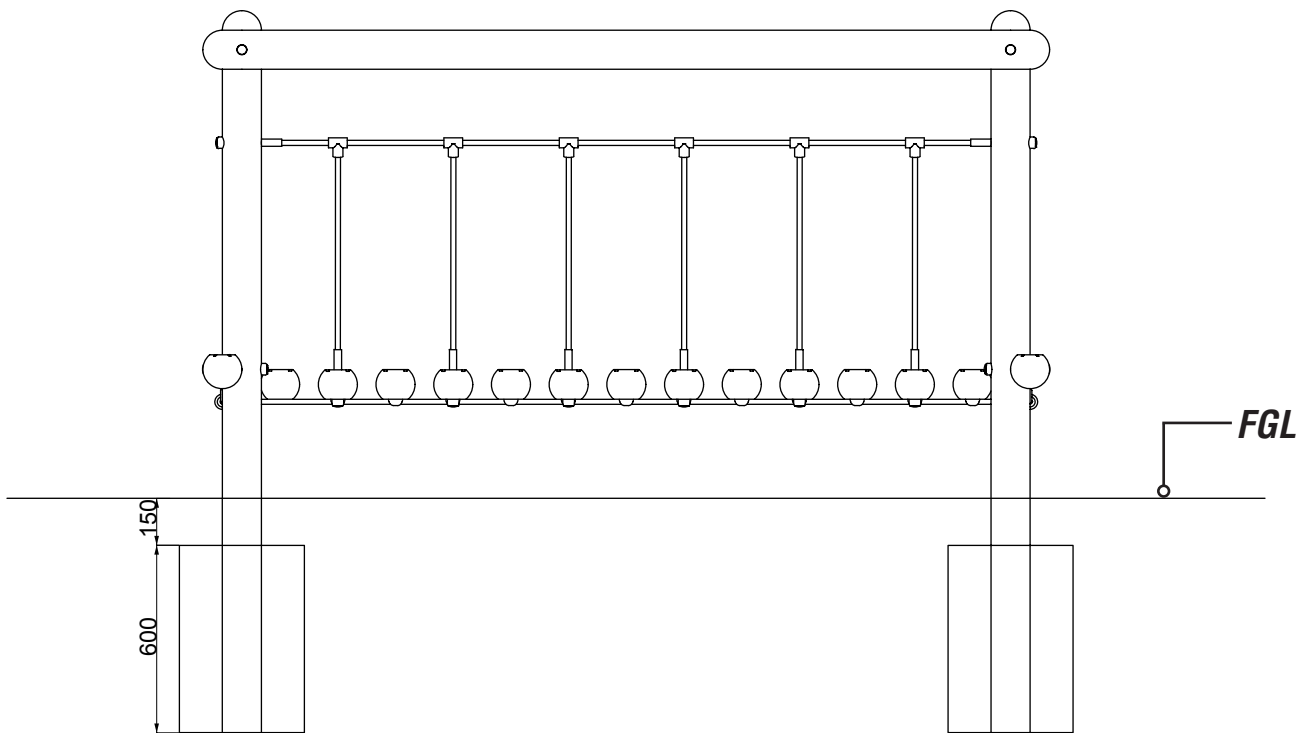
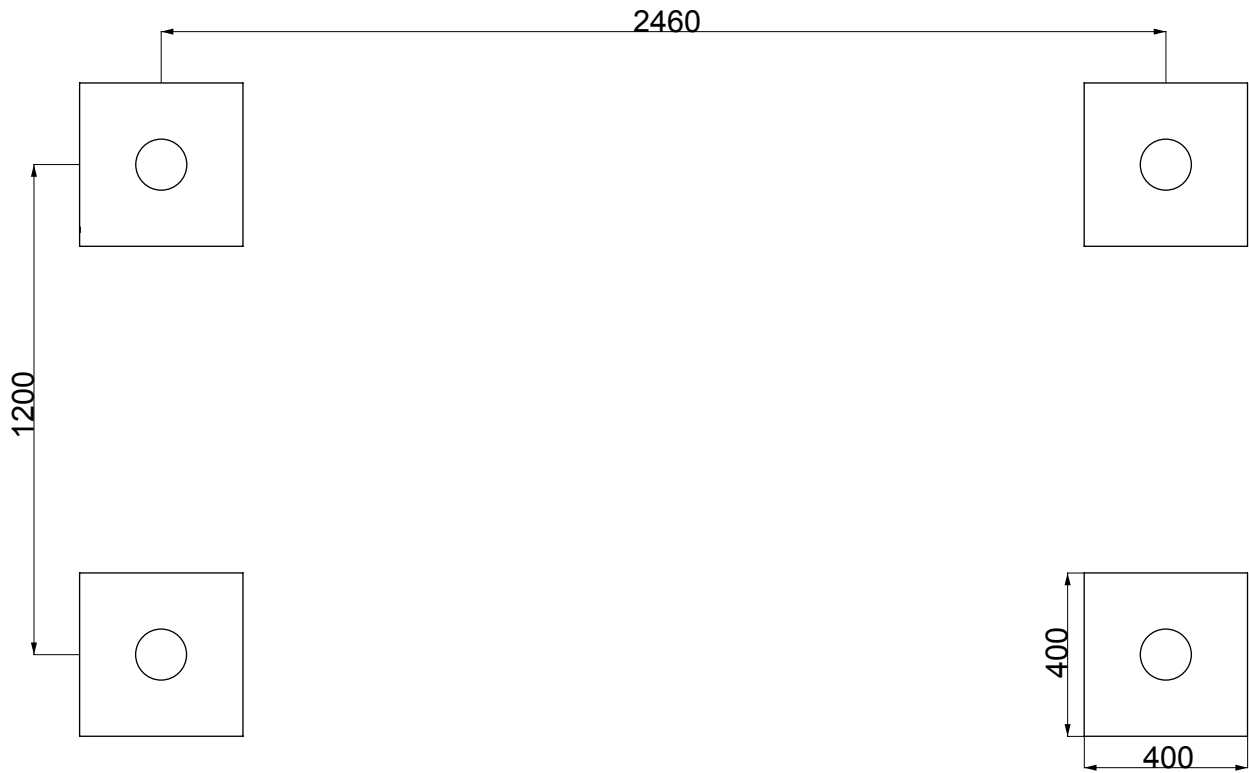
M10 X 40 SOCKET NUT [X6]

PARTS REQUIRED

TOOLS REQUIRED

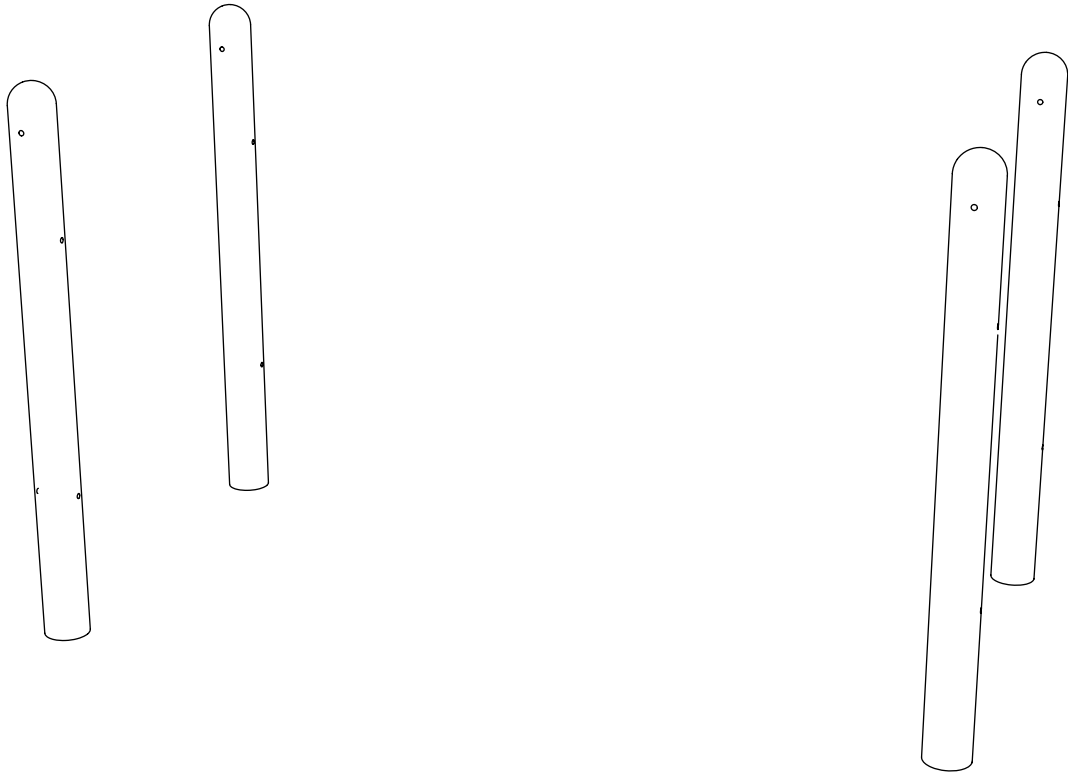


FOUNDATION DETAIL

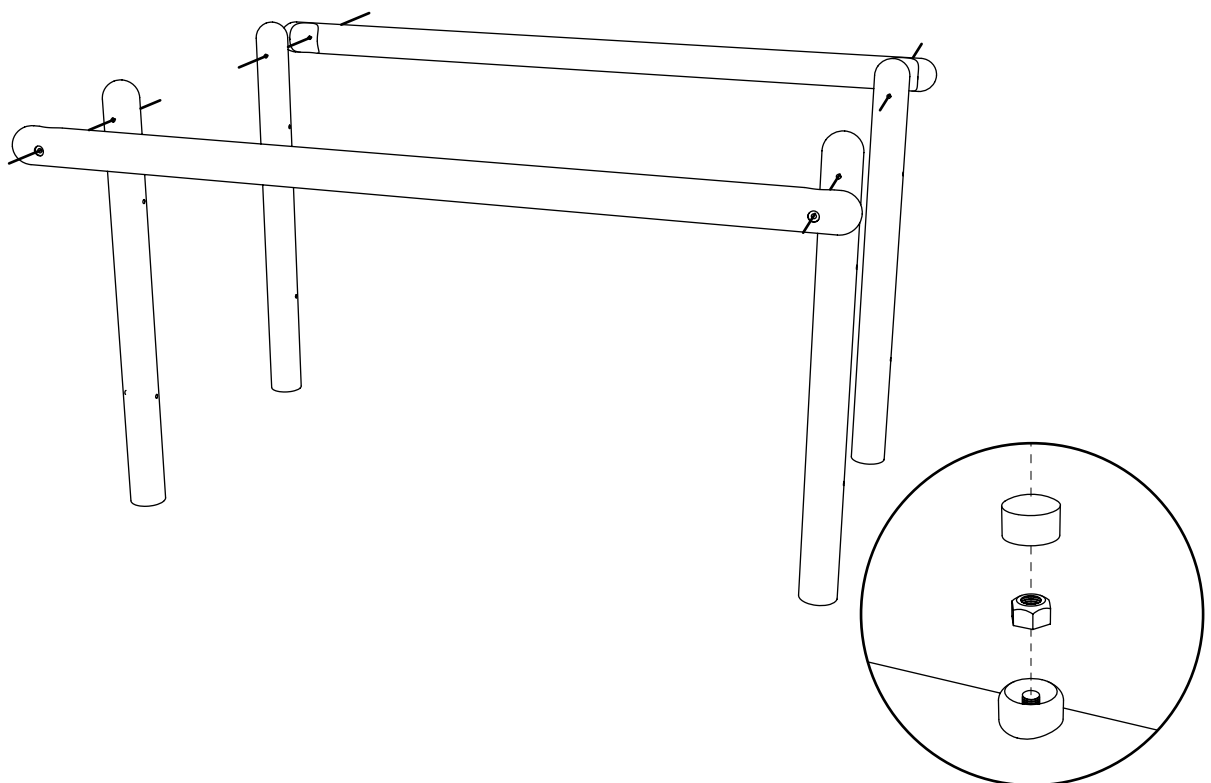


INSTALLATION INSTRUCTIONS

- 1** **INSTALL R-106A TIMBERS INTO THE GROUND**
ENSURE THE TWO HOLES ON THE SAME SIDE ARE FACING



- 2** **FIX R-106B TO R-106A - ON THE OUTSIDE**
USING M12X200 BOLTS, NYLOCS AND END CAPS

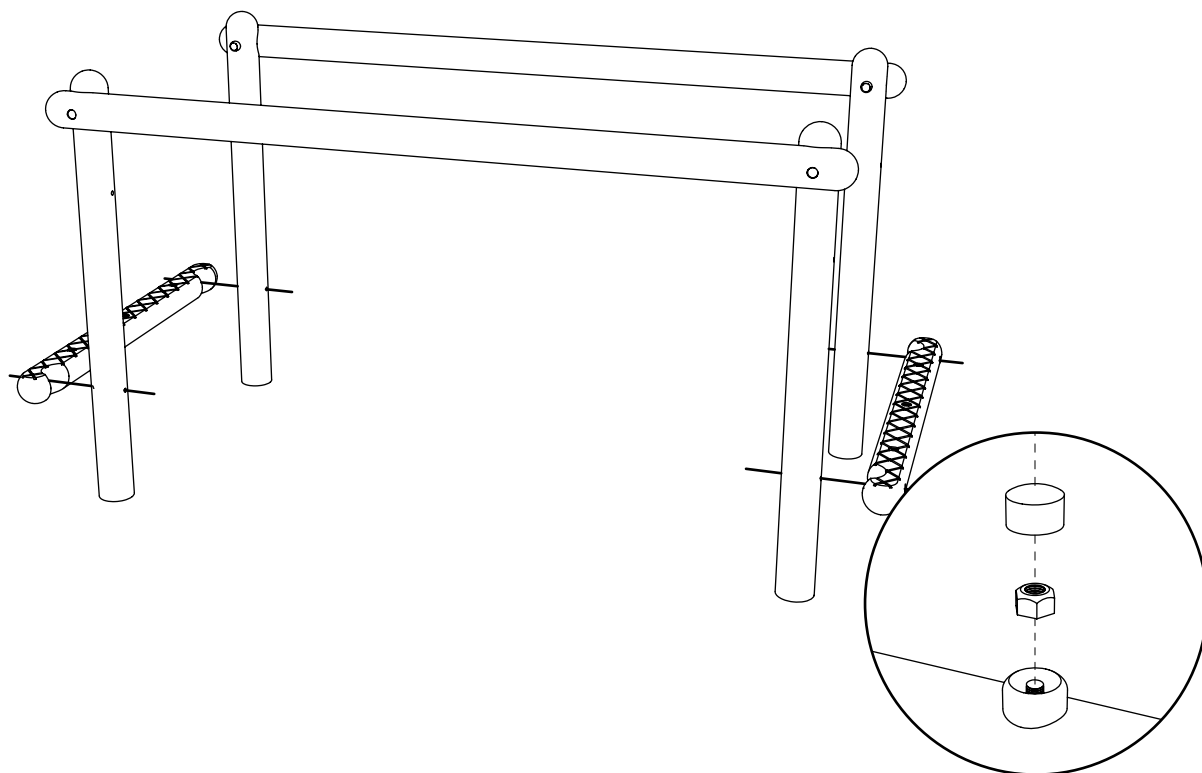


INSTALLATION INSTRUCTIONS

3

INSTALL R-106C BETWEEN R-106A

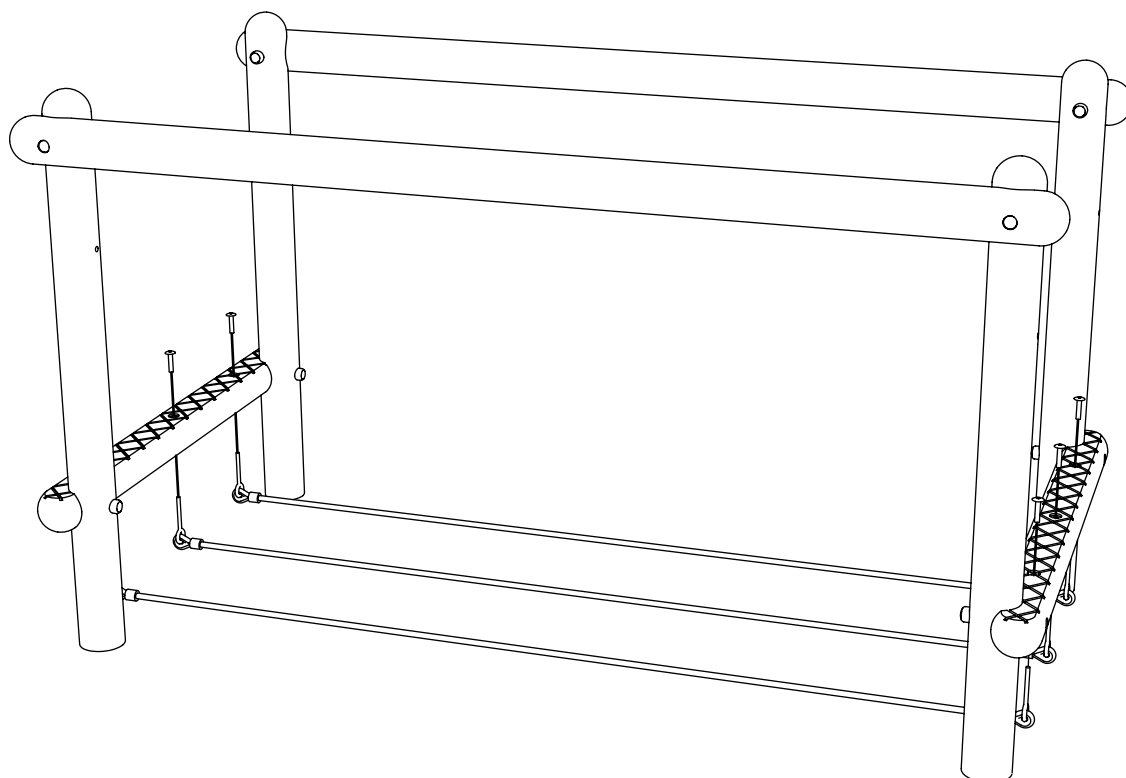
USING M12X200 BOLTS, NYLOCS AND ROUNDED END CAPS



4

ATTACH 3X R3 ROPES TO R-106C TIMBERS

USING M10X40 SOCKET NUTS

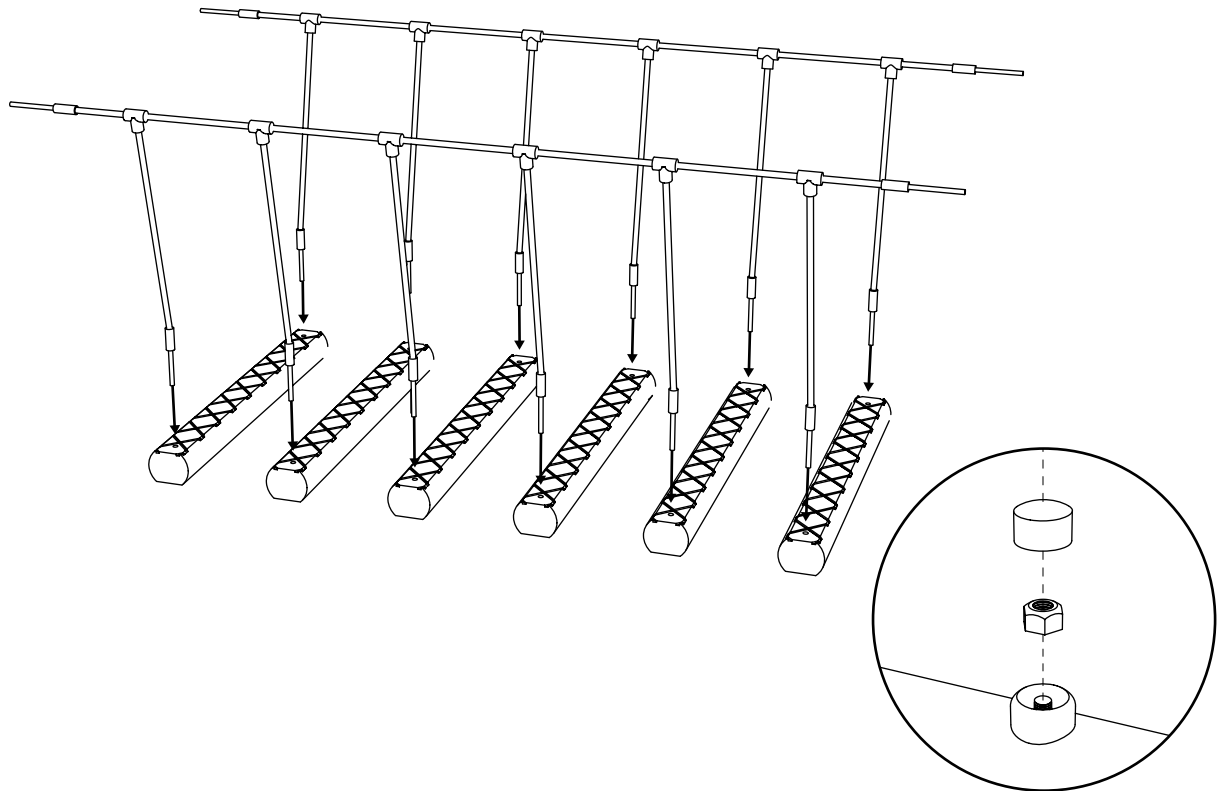


INSTALLATION INSTRUCTIONS

5

ATTACH 2X ROPE ASSEMBLIES TO R-106D

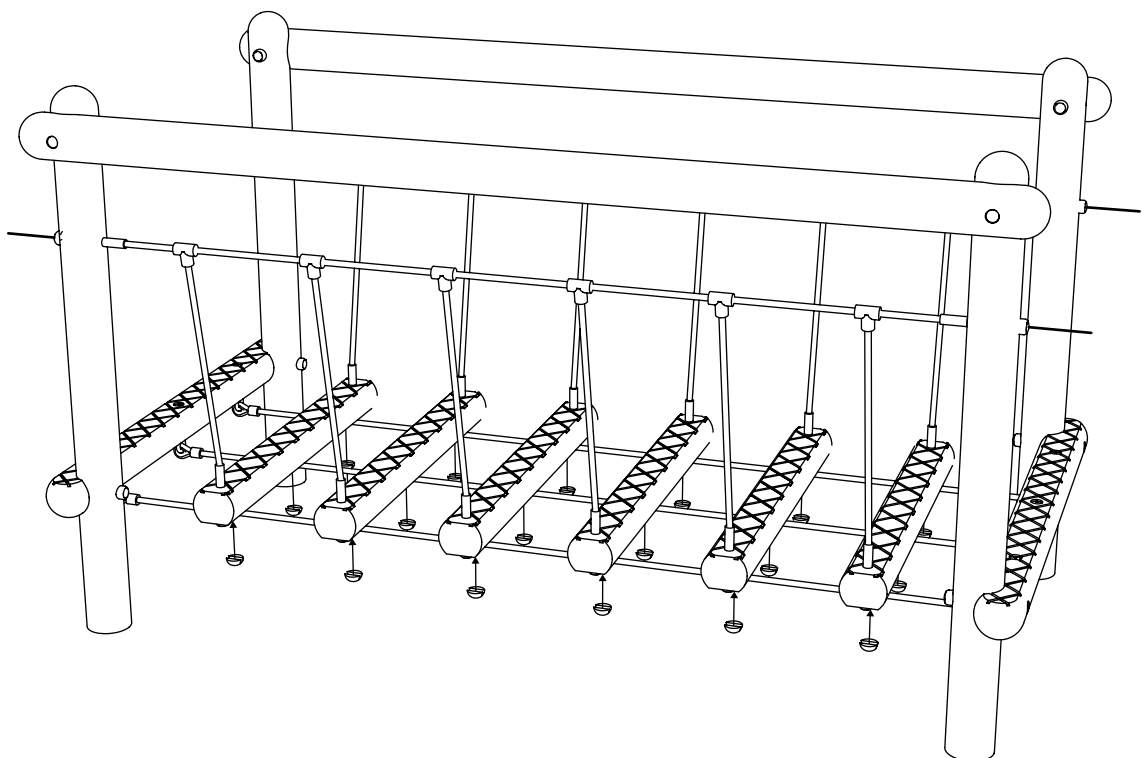
USING M12 NYLOCS AND ROUNDED END CAPS



6

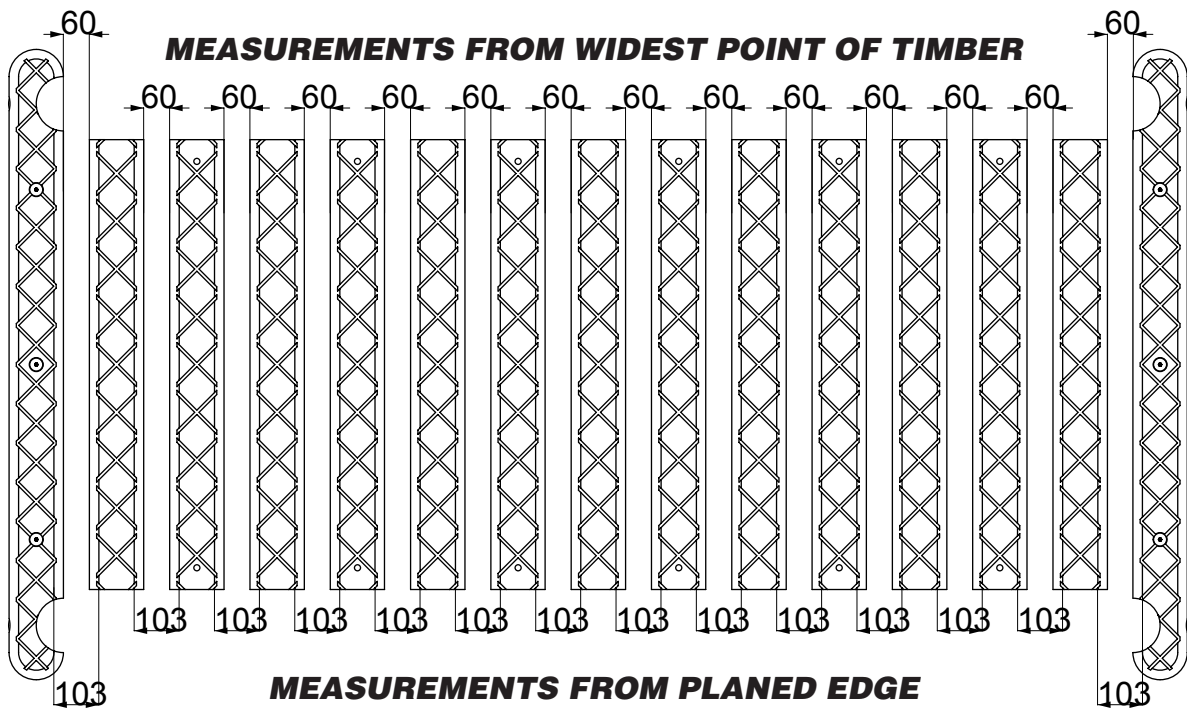
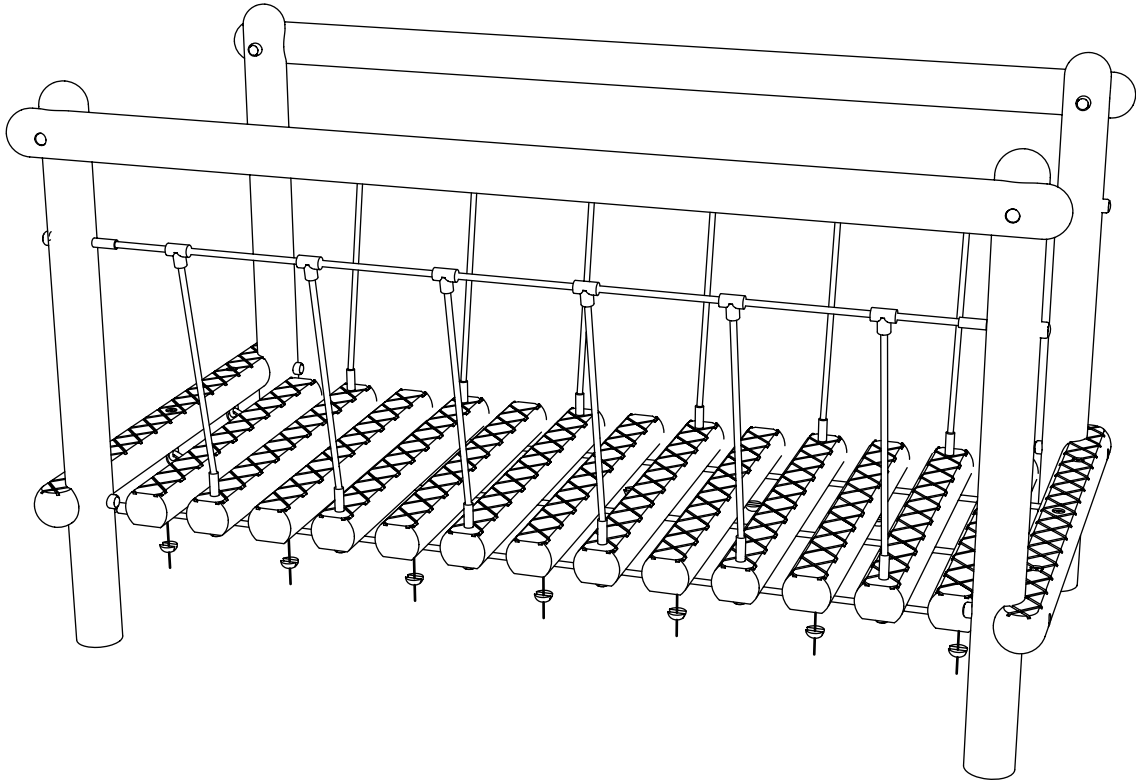
CONNECT ROPE ASSEMBLIES AND R-106D TO R3 ROPES AND R-106A

USING M12 NYLOCS, ROUNDED END CAPS AND POLYFIX HALVES INC. SCREWS



INSTALLATION INSTRUCTIONS

5 FIX R-106E TIMBERS TO R3 ROPES USING POLYFIX HALVES INC. SCREWS



ADDITIONAL MEASUREMENTS

