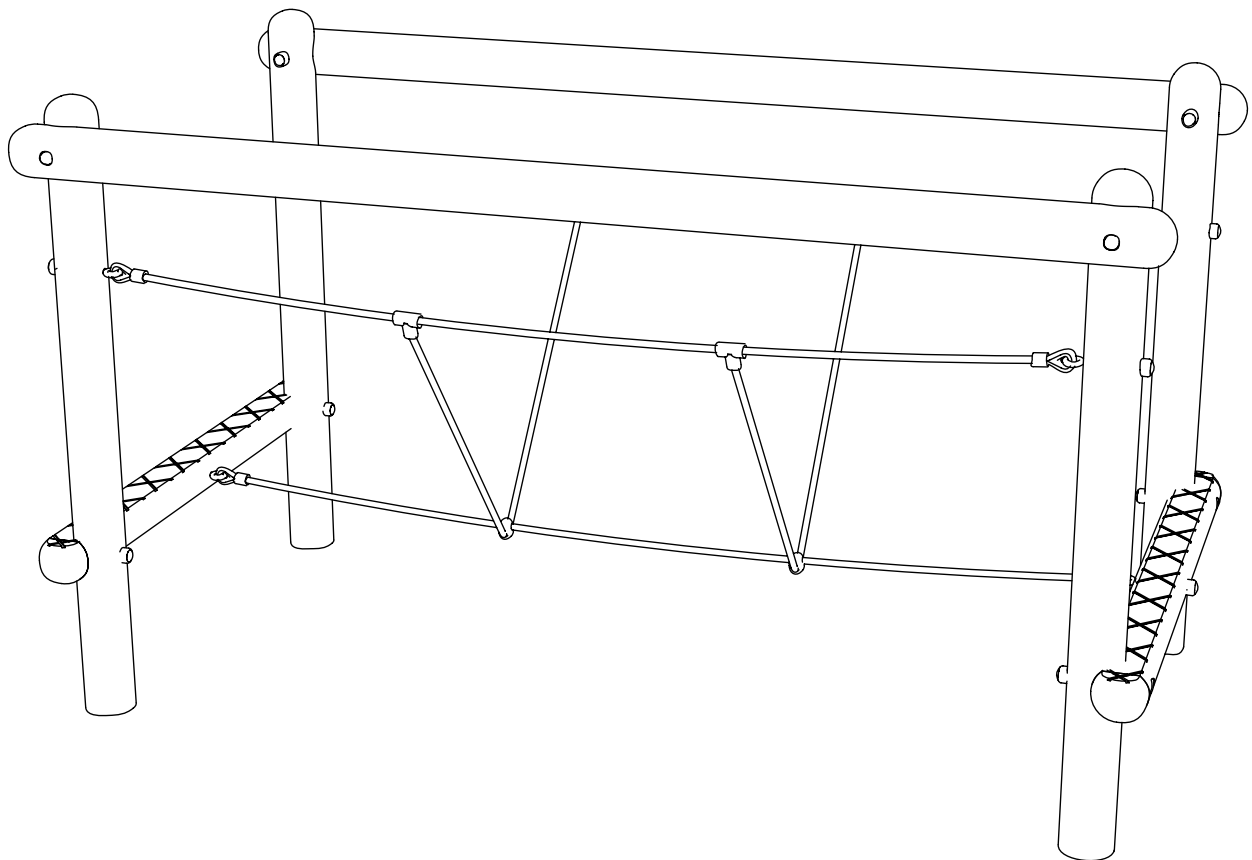


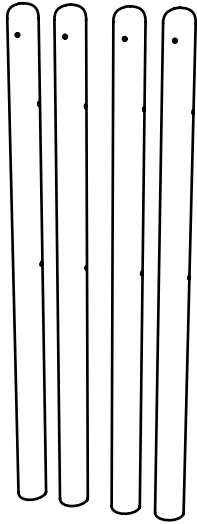
CH104-R - ROPE BRIDGE

Installation Instructions

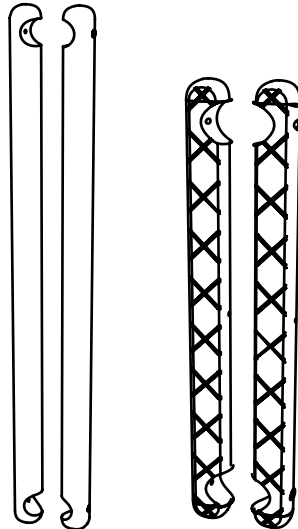
**creative
play**



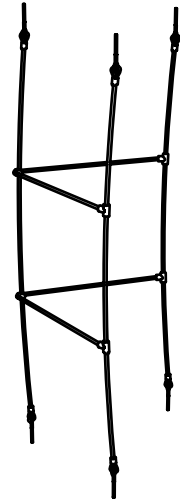
PARTS REQUIRED



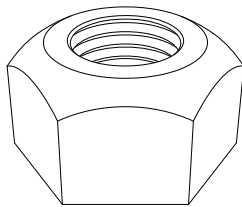
R-104A TIMBERS [X4]



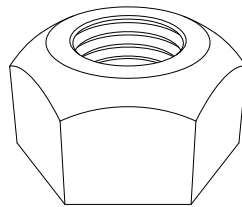
R-104B & R-104C TIMBERS [X2]



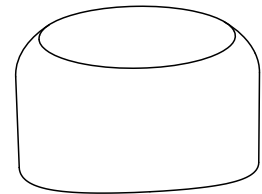
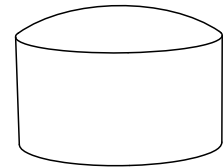
ROPE ASSEMBLY



M10 NYLOC [X6]

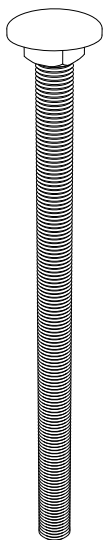


M12 NYLOC [X8]

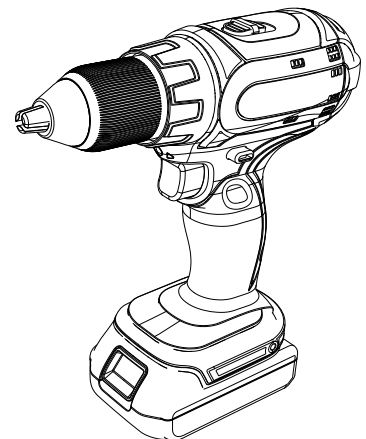
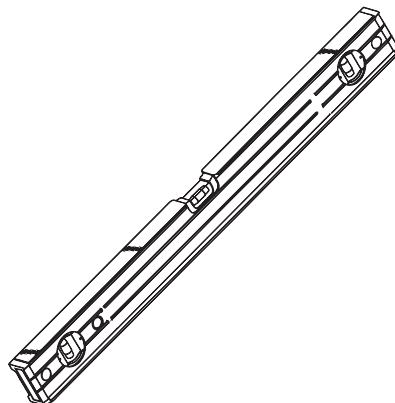


COVERED END R-60 [X14]

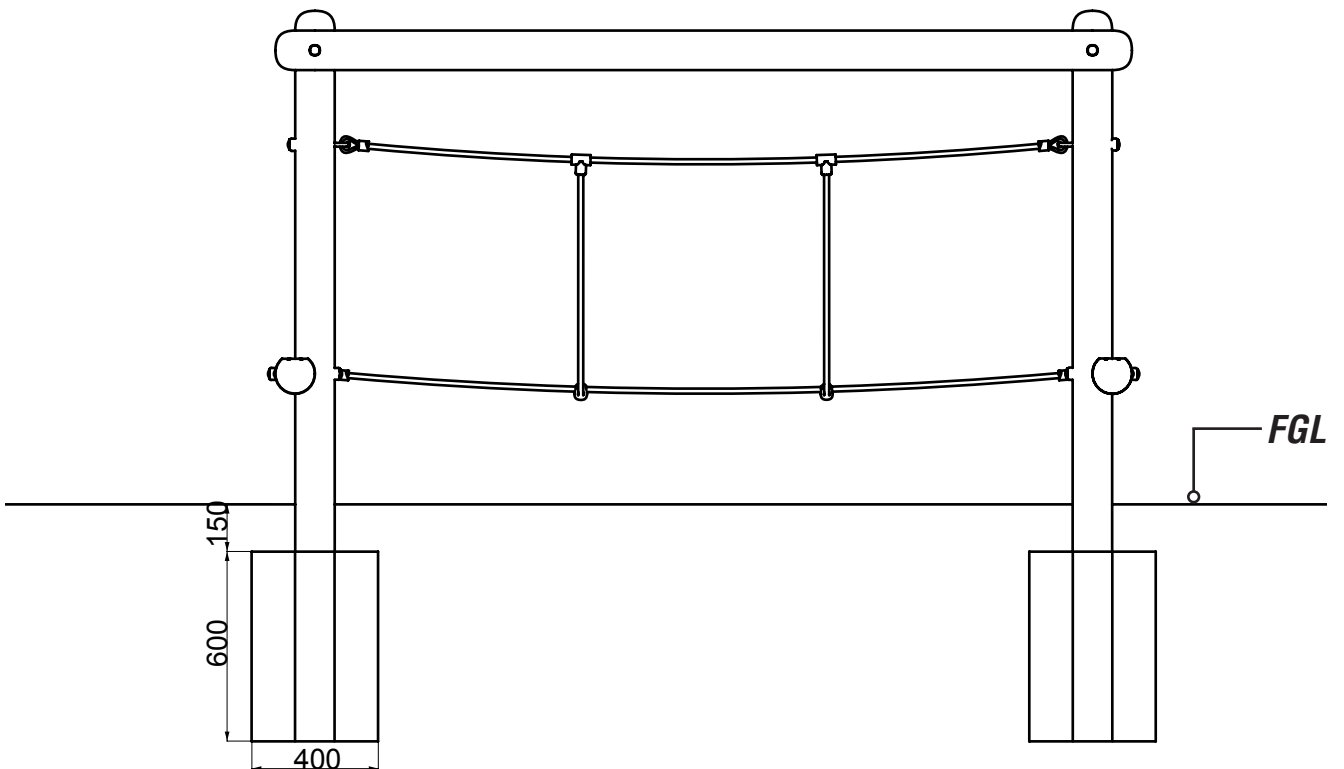
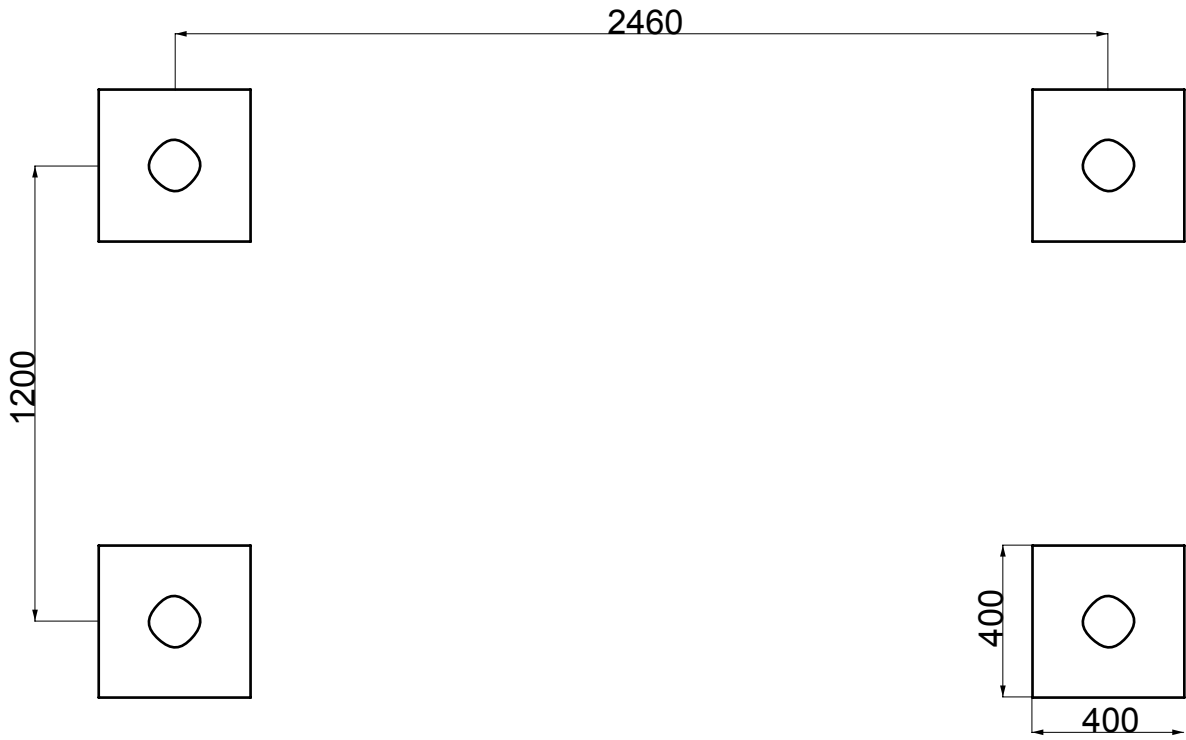
TOOLS REQUIRED



200MM BOLT [X8]



FOUNDATION DETAIL

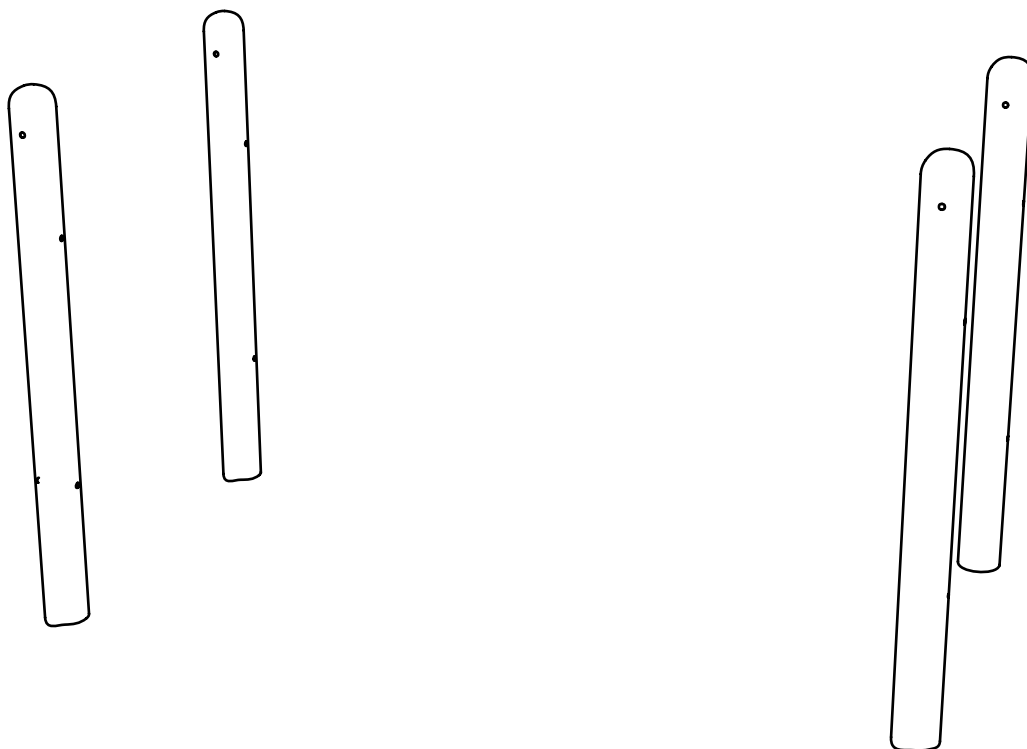


INSTALLATION INSTRUCTIONS

1

INSTALL R-104A INTO THE GROUND

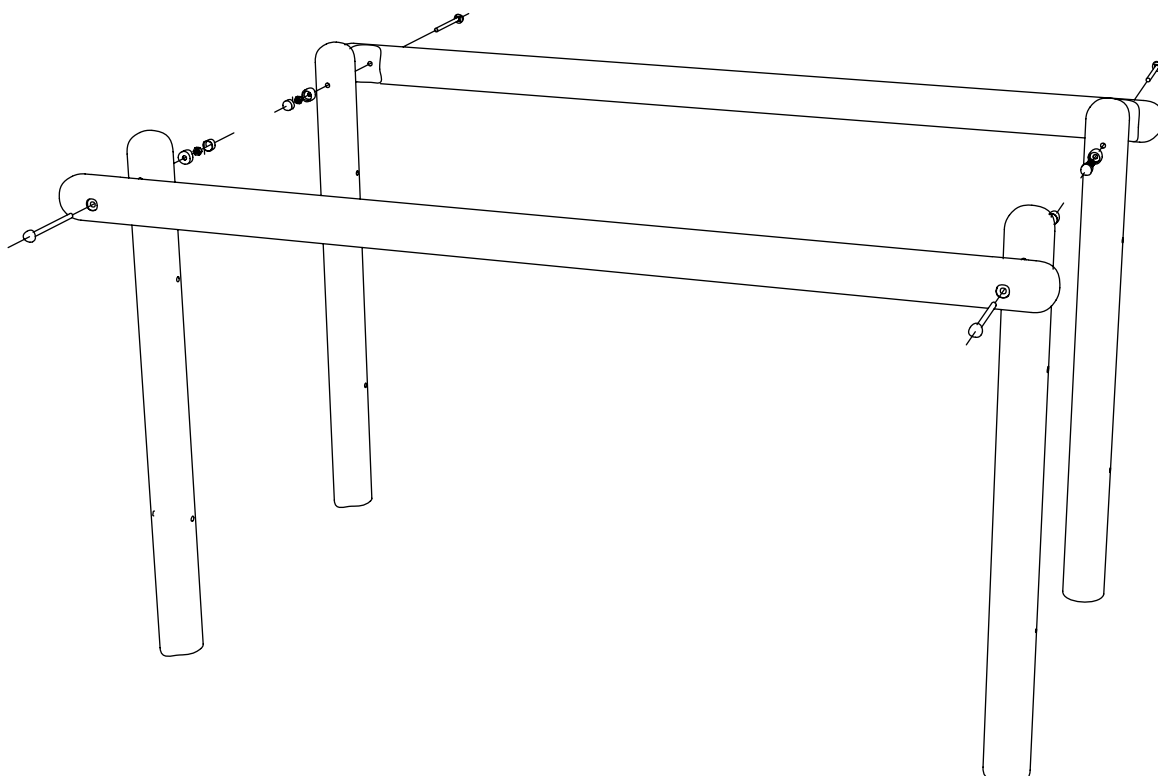
ENSURE DRILL HOLES ARE FACING THE CORRECT WAY - SHOWN BELOW



2

ATTACH R-104B TO R-104A TIMBERS

USING M12X200 BOLTS, M12 NYLOC AND ROUND COVERED ENDS

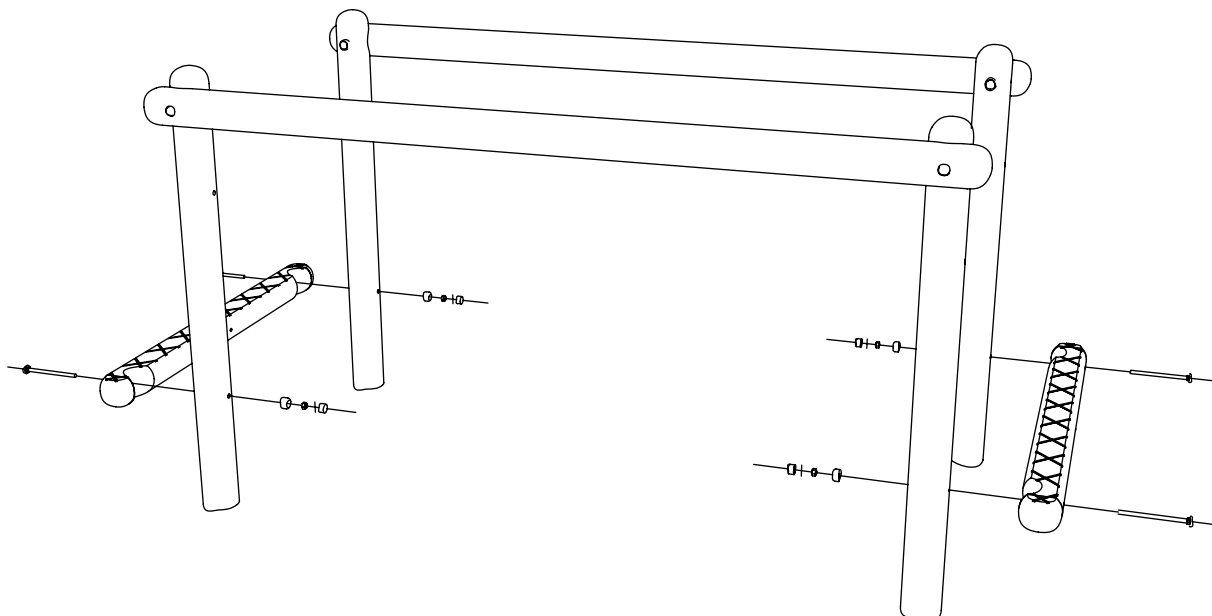


INSTALLATION INSTRUCTIONS

3

ATTACH R-104C TO R-104A TIMBERS

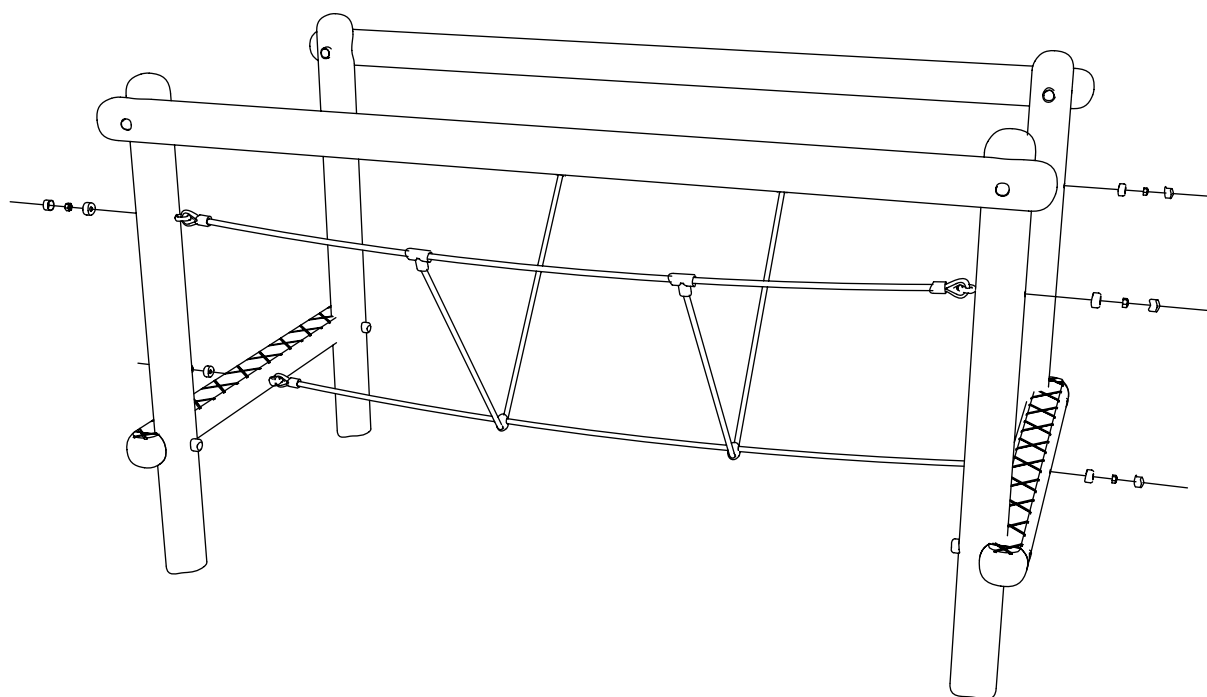
USING M12X200 BOLTS, M12 NYLOC AND ROUND COVERED ENDS



4

ATTACH ROPE ASSEMBLY TO R-104A AND R-104C TIMBERS

USING M10 NYLOCS AND ROUND COVERED ENDS



ADDITIONAL MEASUREMENTS

