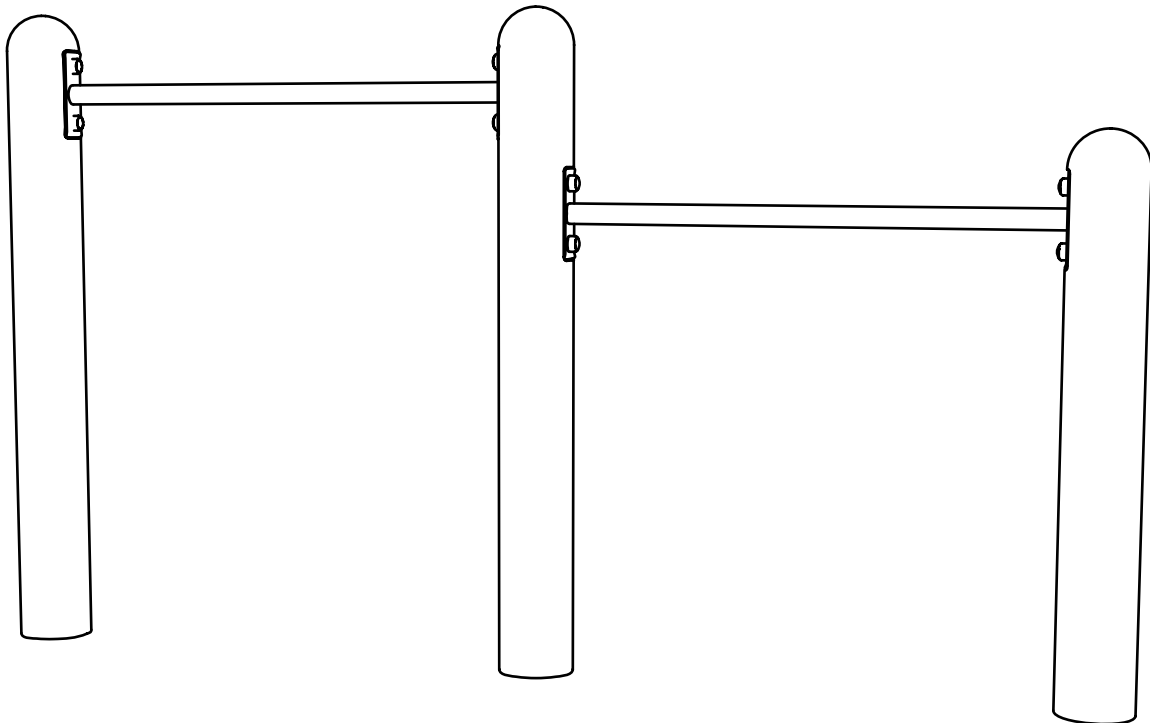
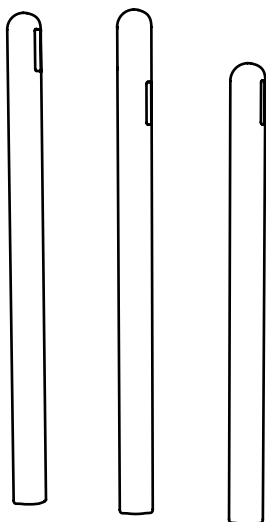


CH101-R - CHIN UP BARS
Installation Instructions

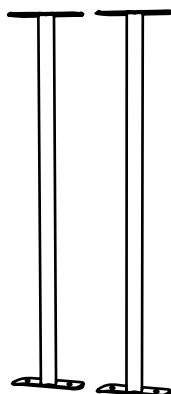
**creative
play**



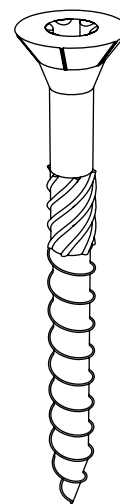
PARTS REQUIRED



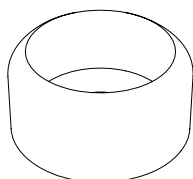
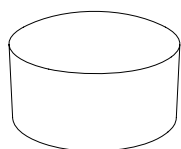
R-101A TO R-101C TIMBERS



STANDARD BARS

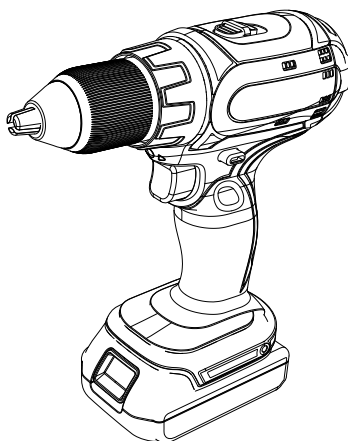
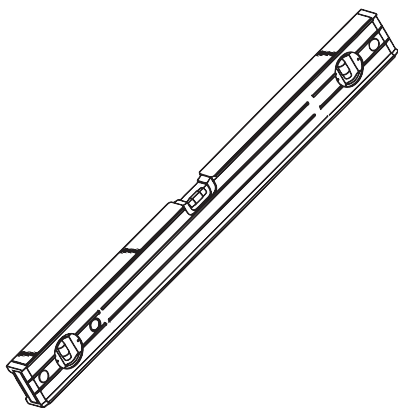


M8 X 80 SCREWS [X8]

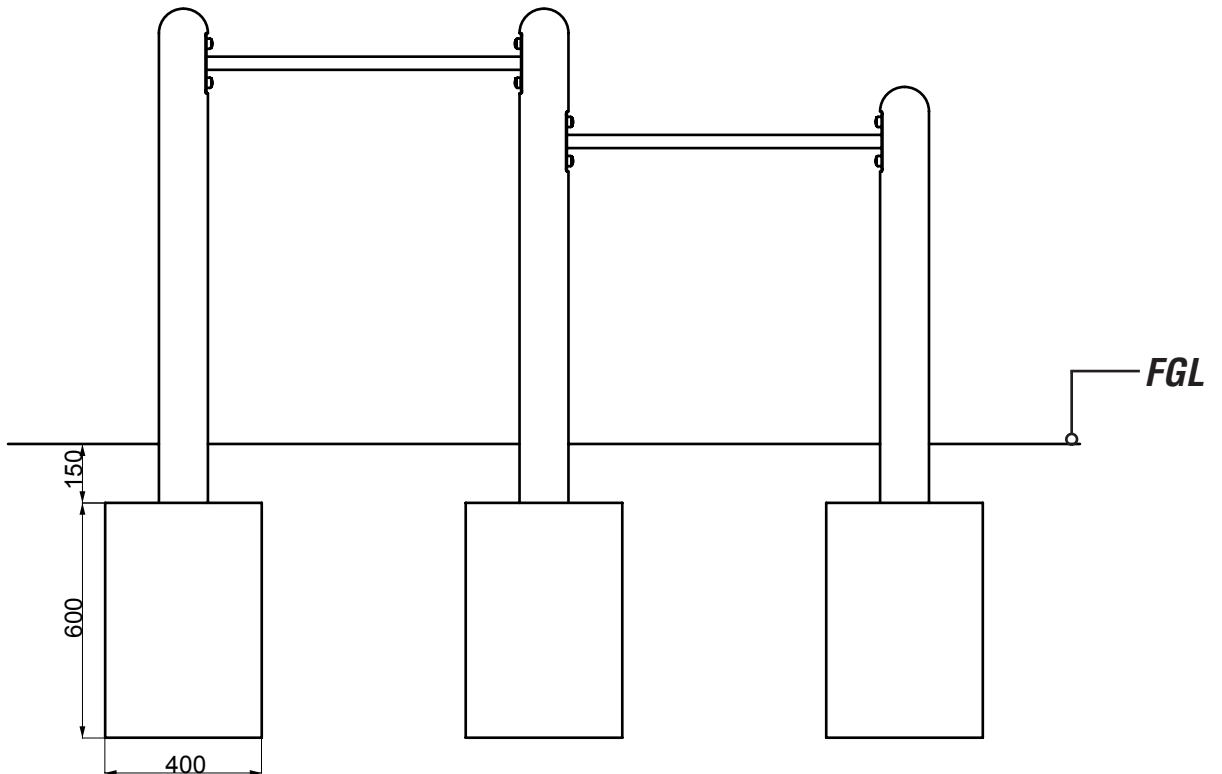
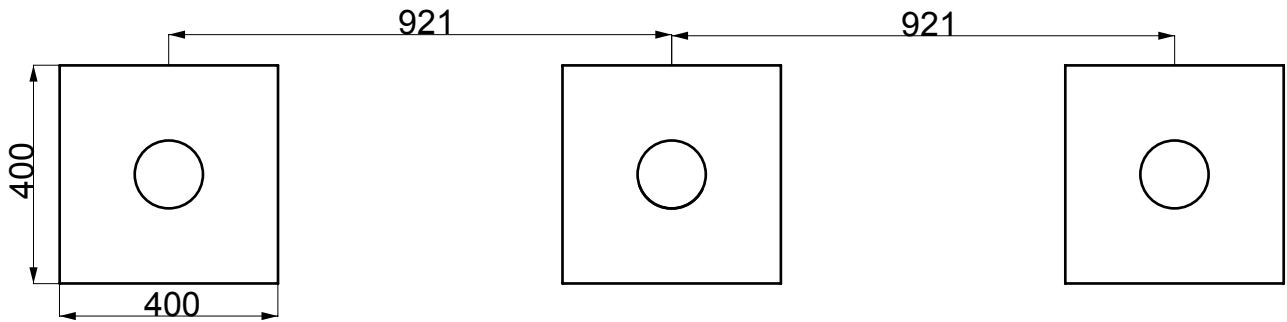


M8 COVERED ENDS [X8]

TOOLS REQUIRED

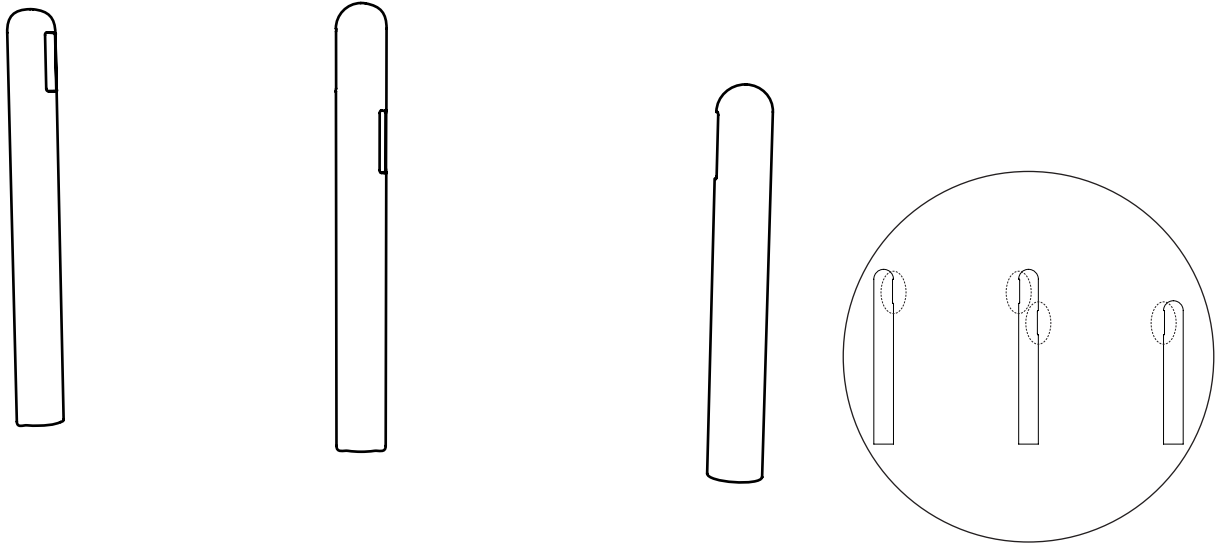


FOUNDATION DETAIL



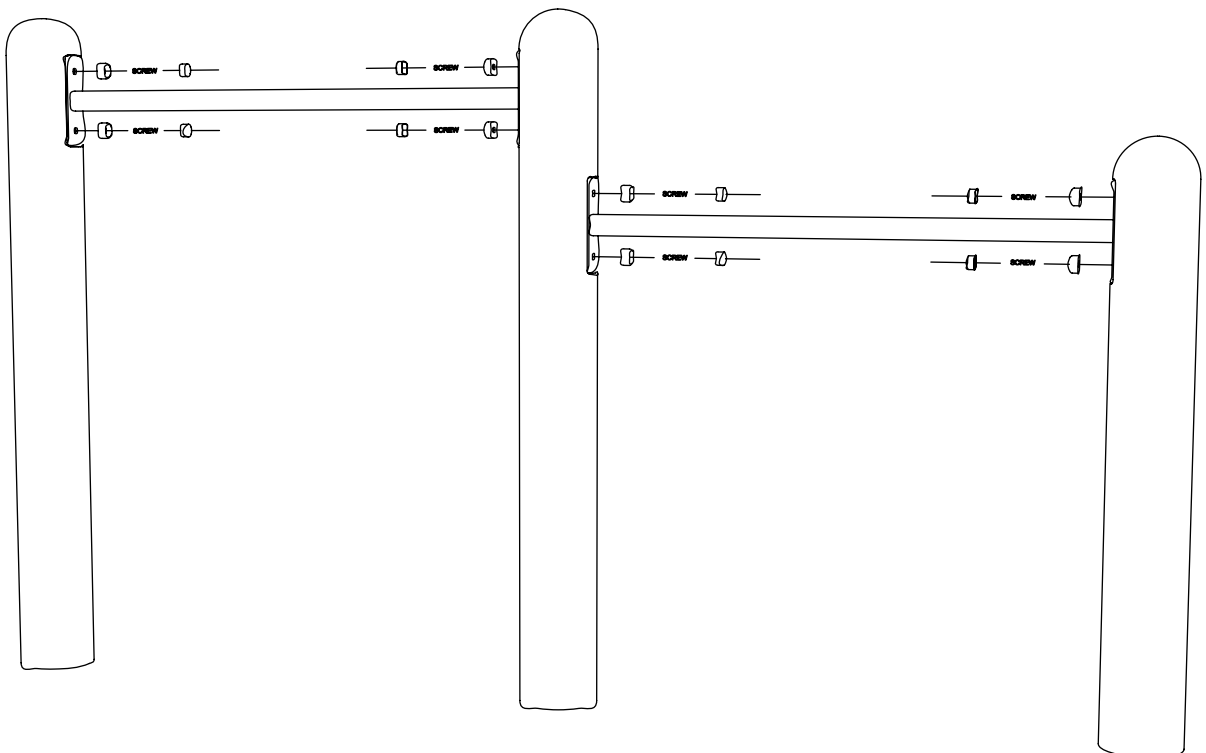
INSTALLATION INSTRUCTIONS

1 INSTALL R-101A, R-101B AND R-101C TIMBERS INTO THE GROUND



ENSURE SLAB CUTS ARE FACING THE CORRECT WAY AROUND (SHOWN ABOVE)

2 FIX STANDARD BARS TO TIMBERS USING M8 X 8 SCREWS



ADDITIONAL MEASUREMENTS

