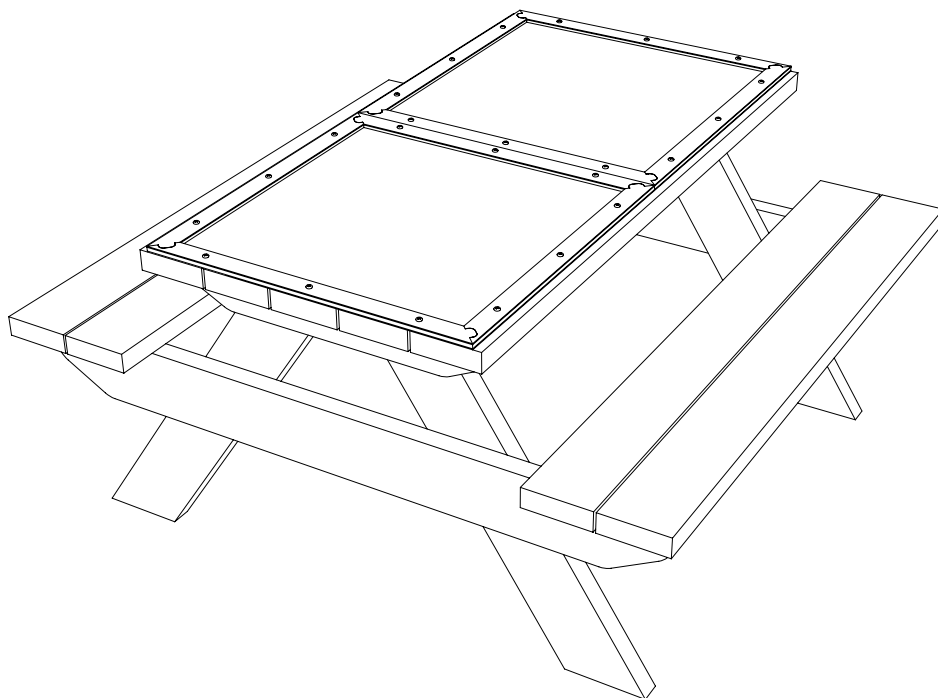
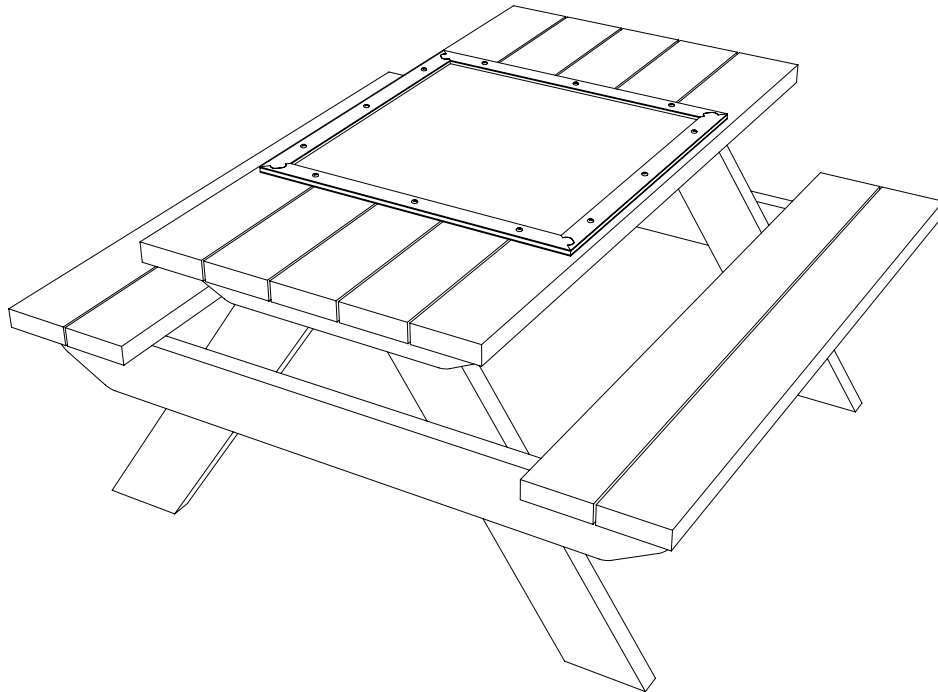


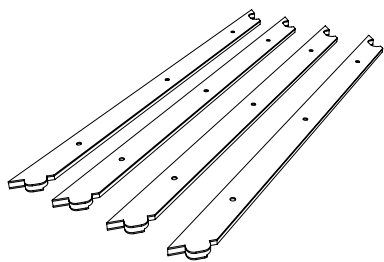
GT - GAMES TOP (onto PT105)

Installation Instructions

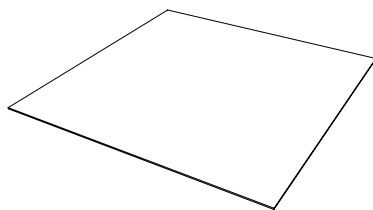
**creative
play**



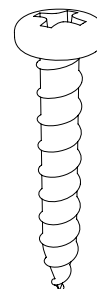
PARTS REQUIRED



PLAYTEC FRAME PIECES

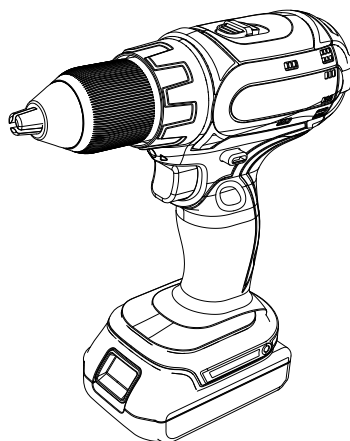
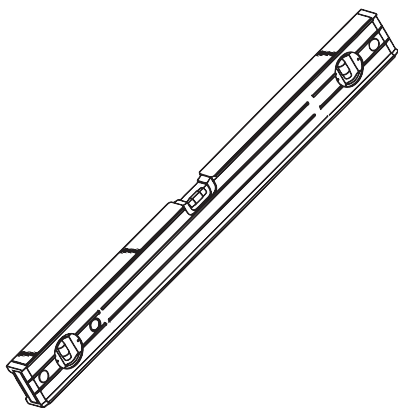


GAME BOARD

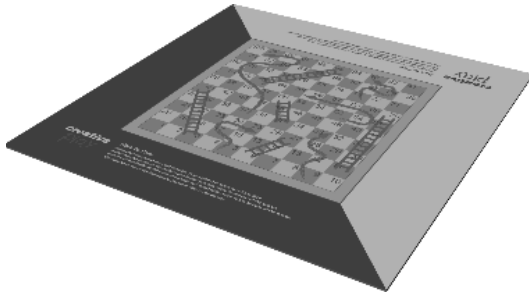


M6X40 PAN HEAD SCREWS

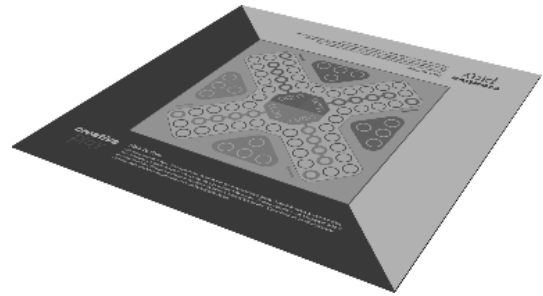
TOOLS REQUIRED



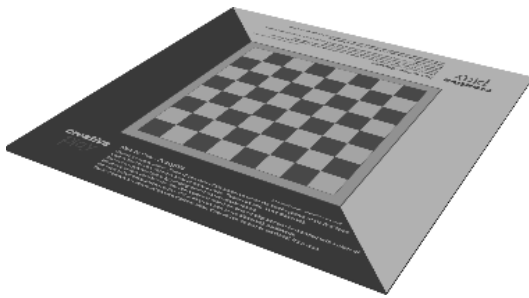
AVAILABLE BOARDS



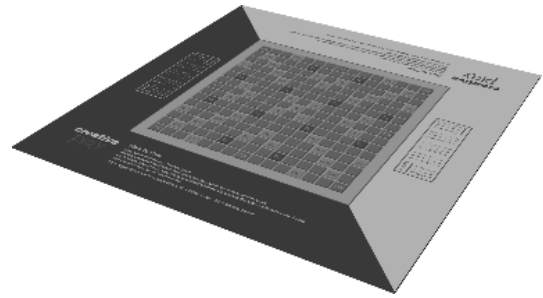
GT101



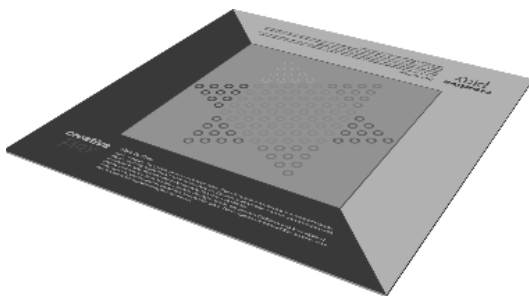
GT102



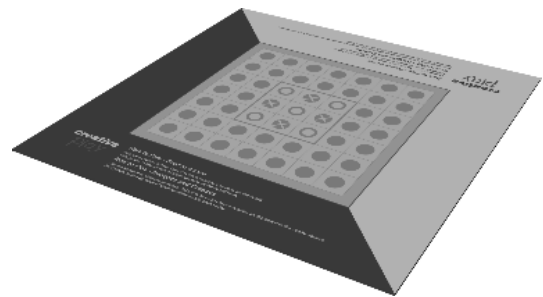
GT104



GT104



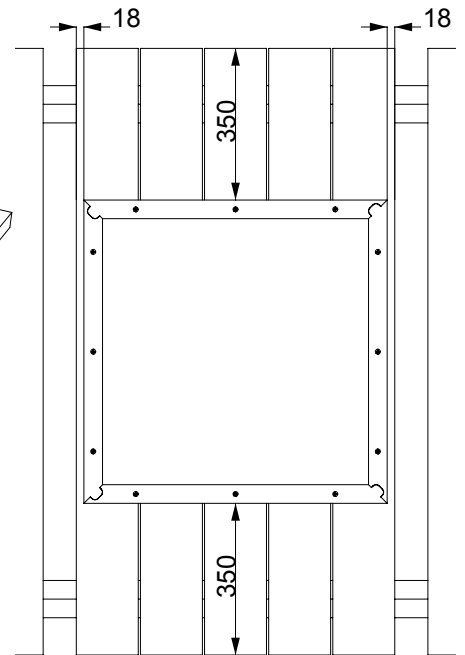
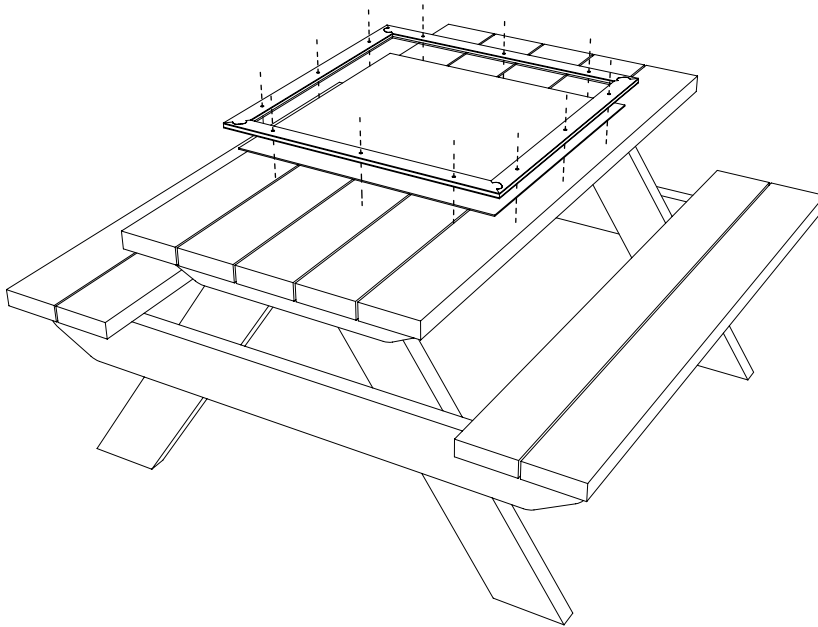
GT105



GT106

INSTALLATION INSTRUCTIONS

1 TO INSTALL 1 BOARD ON A 1.4M PICNIC TABLE, SCREW BOARD AND FRAME DOWN AS SHOWN BELOW USING M6 X 40 SCREWS



2 TO INSTALL 2 BOARDS ON A 1.4M PICNIC TABLE, SCREW BOARD AND FRAME DOWN AS SHOWN BELOW USING M6 X 40 SCREWS

