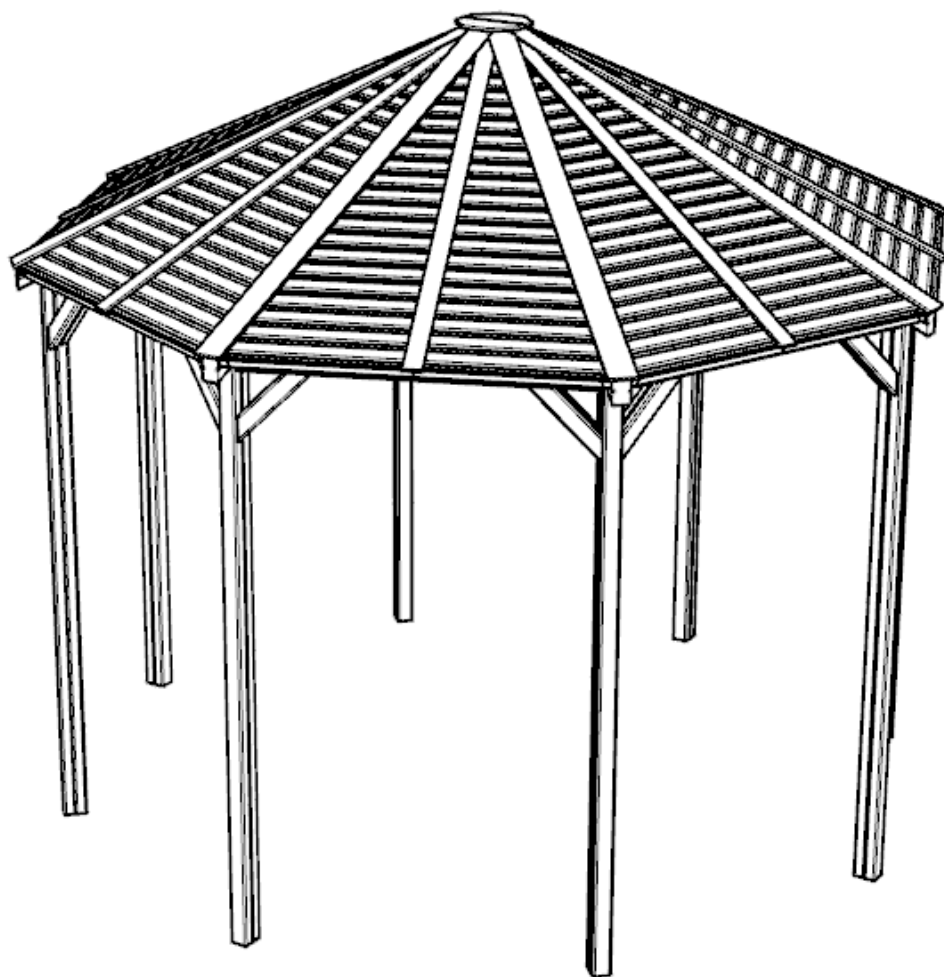


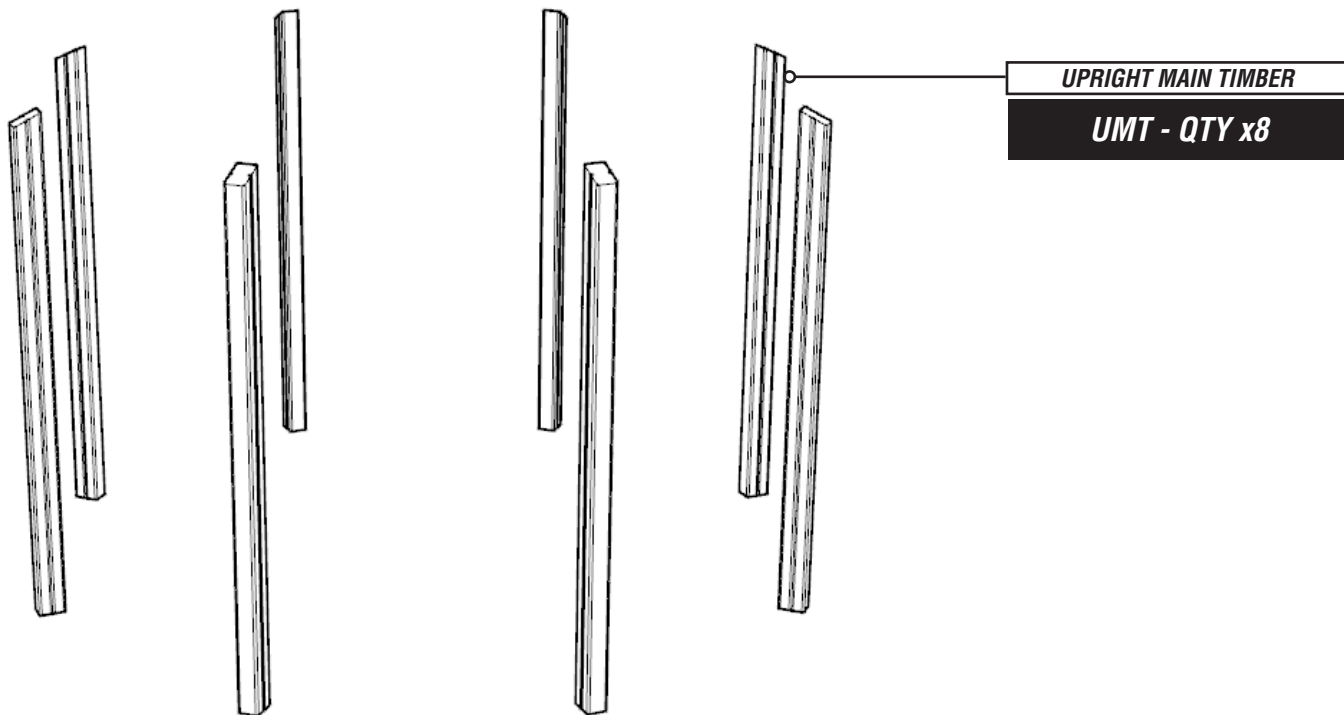
# **OS118 - OCTAVIA CANOPY (5M)**

## ***Installation Instructions***

**creative  
play**



# PARTS REQUIRED



## UPRIGHT TIMBERS



x420

97.M8X80CSK



x34

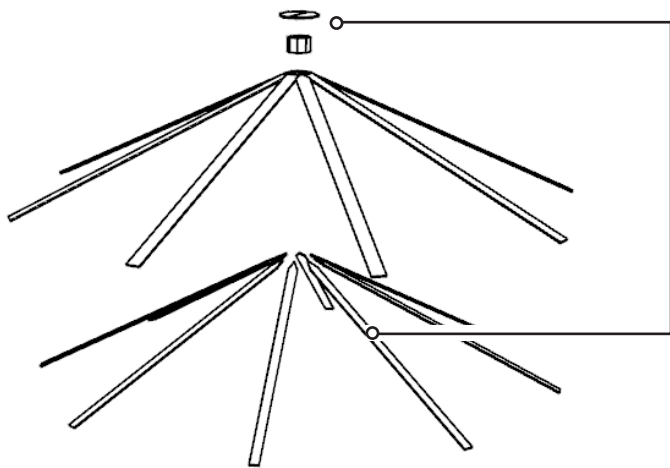
97.M8X120CSK



x18

97.M8X180CSK

# PARTS REQUIRED

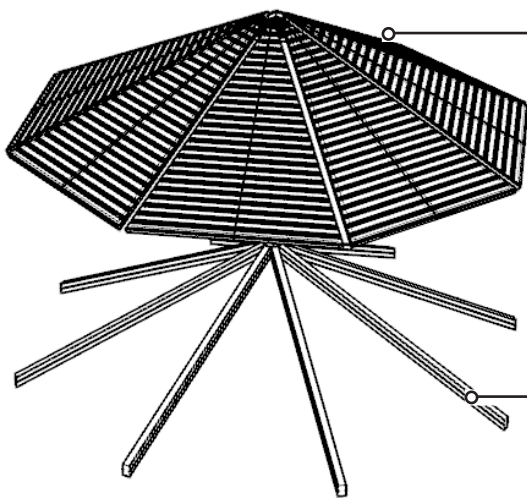


**ROOF TRIM / KING 'POST'**

**RT**

**INCLUDES**

RT1 - QTYx2  
 RT2 - QTY x1  
 RT3a - QTY x4  
 RT3b - QTY x4  
 RT3c - QTY x4



**ROOF ASSEMBLIES**

**RA-L & RA-R**

**INCLUDES**

RA-L - QTYx8  
 RA-R - QTY x8

**ROOF MAIN SUPPORTS**

**RM - QTY x 8**

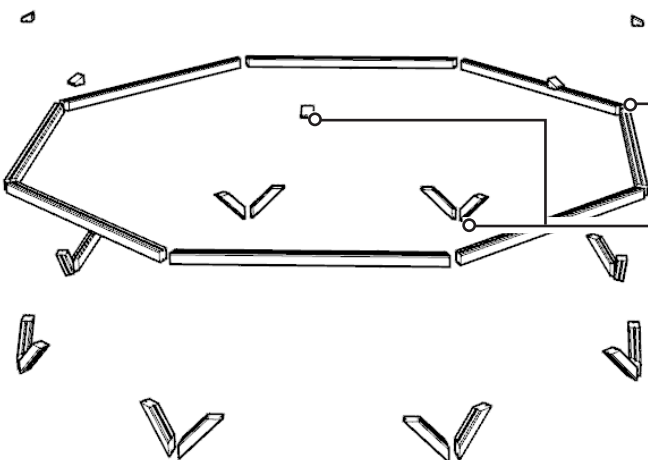


**ROOF SUPPORTS ADDITIONAL**

**RBA**

**INCLUDES**

RBA-u - QTY x 1 (SET)  
 RBA-l - QTY x 1 (SET)



**ROOF SUPPORTS**

**RS - QTY x 8**

**ROOF BRACES**

**RB**

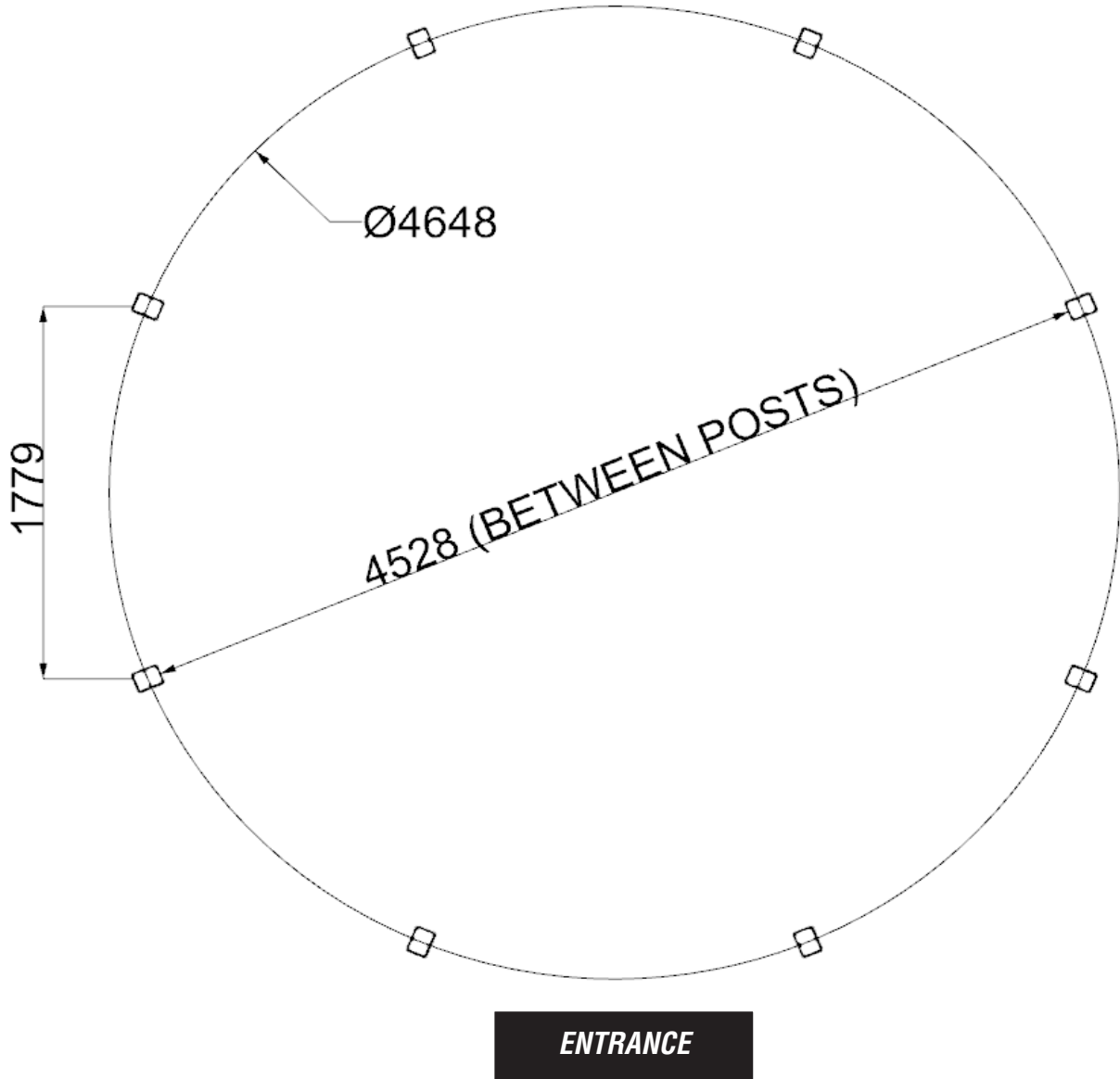
**INCLUDES**

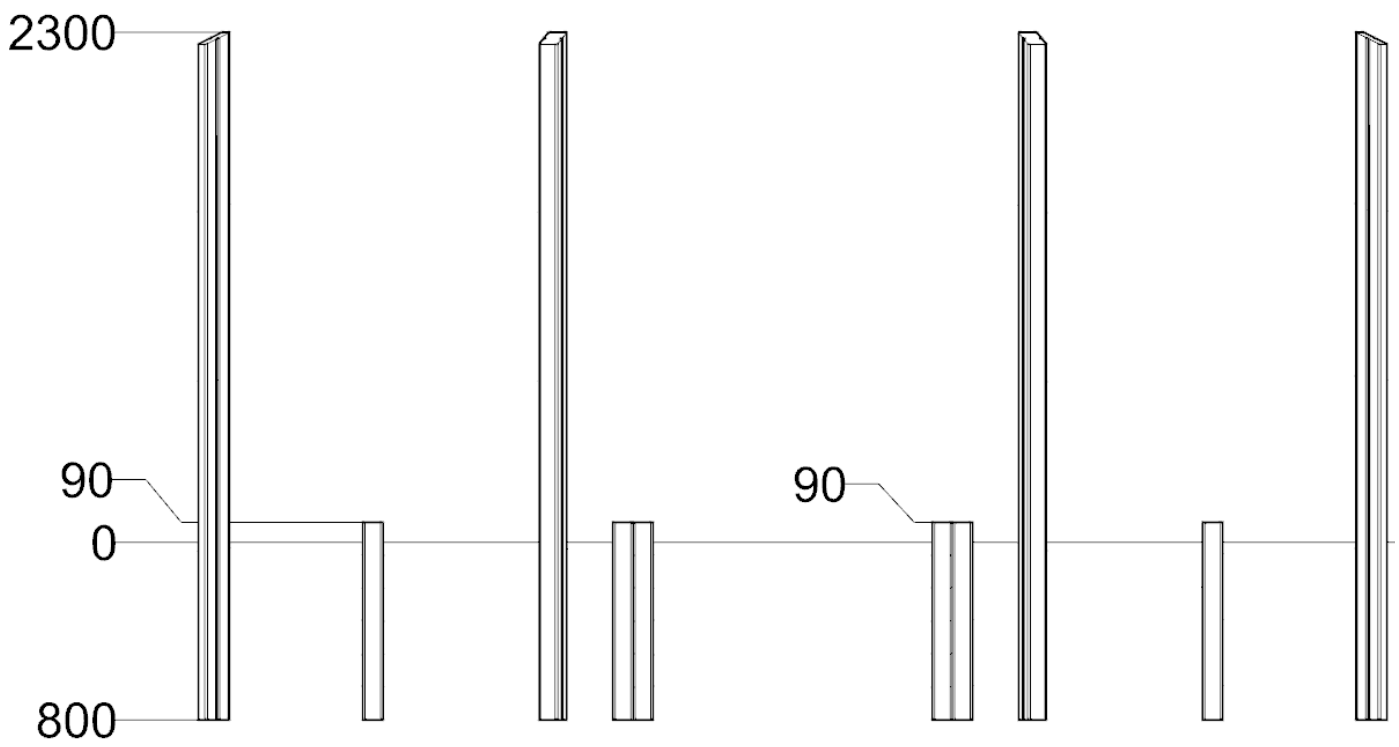
RB-R QTY x 8 (RIGHT)  
 RB-L QTY x 8 (LEFT)  
 RB-T QTY x 8

# FOUNDATION DETAILS

---

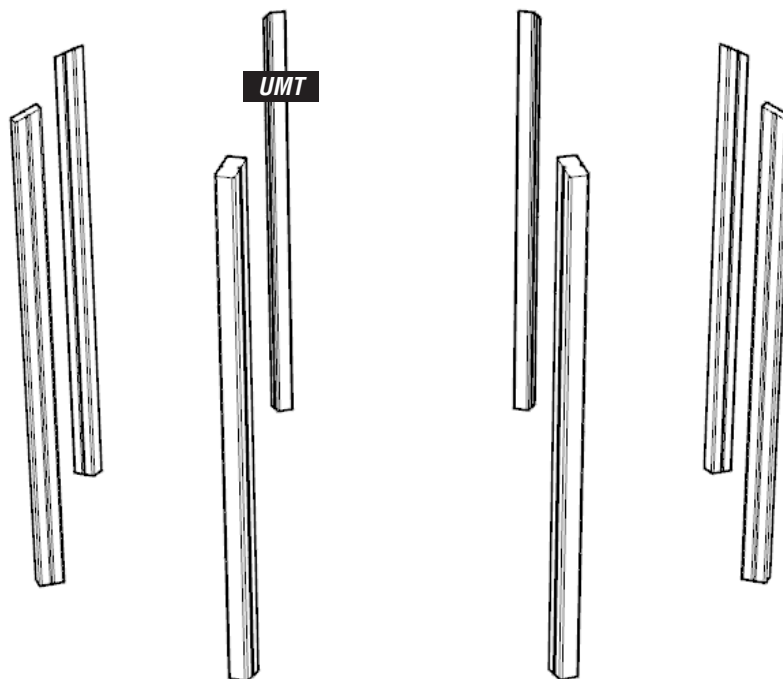
**NOTES:**  
POST HOLES 400MM x 400MM





# INSTALLATION INSTRUCTIONS

## 1 INSTALL THE UMT TIMBERS ACCORDING TO GROUND PLAN

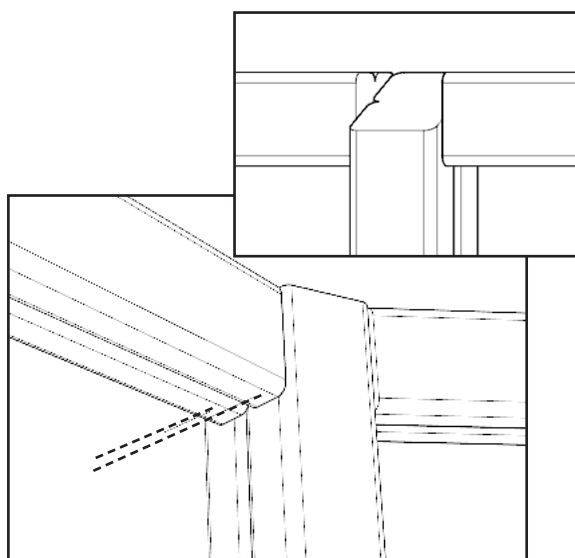
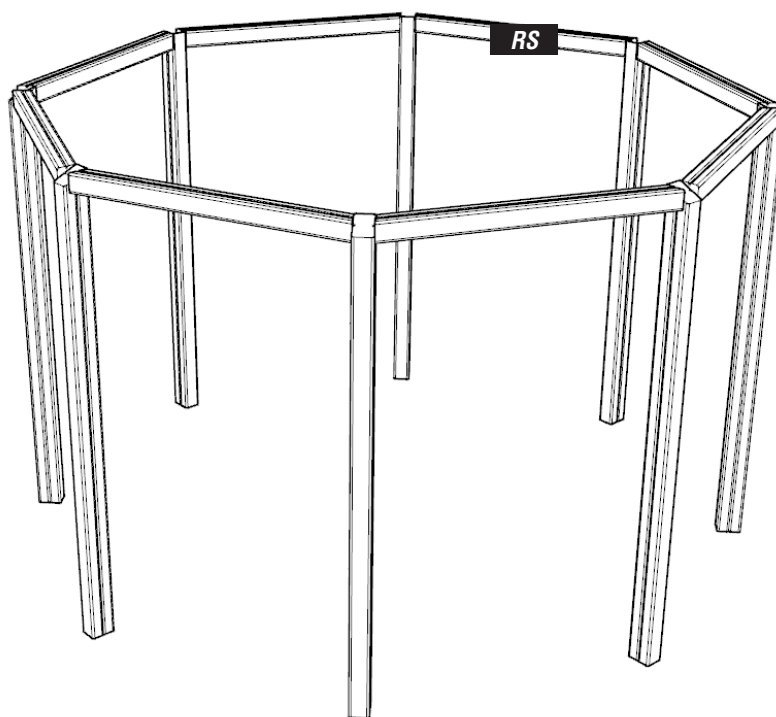


## 2 ATTACH THE RS ROOF TIMBERS USING 2 X M8X80MM WOOD SCREW EITHER END, ENSURE TIMBERS ARE POSITIONED AS SHOWN

### NOTES:

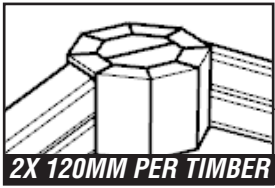
ENSURE TIMBERS ARE PRE-DRILLED AND COUNTERSUNK

TIMBERS ARE POSITIONED LEVEL WITH THE TOP OF THE UPRIGHT TIMBER

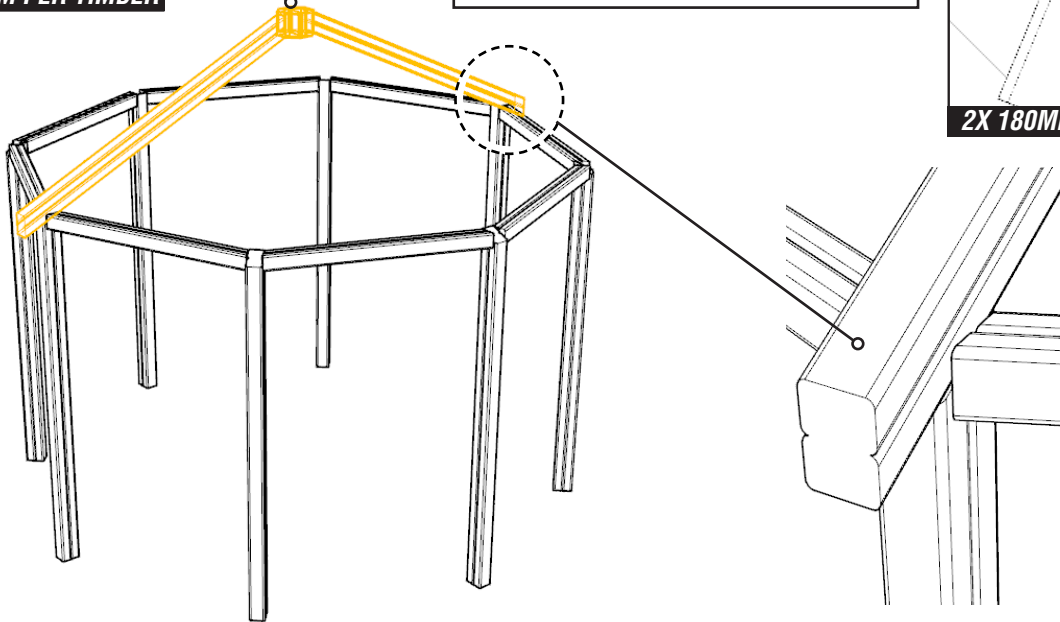
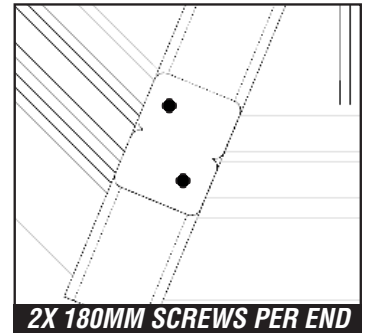


# INSTALLATION INSTRUCTIONS

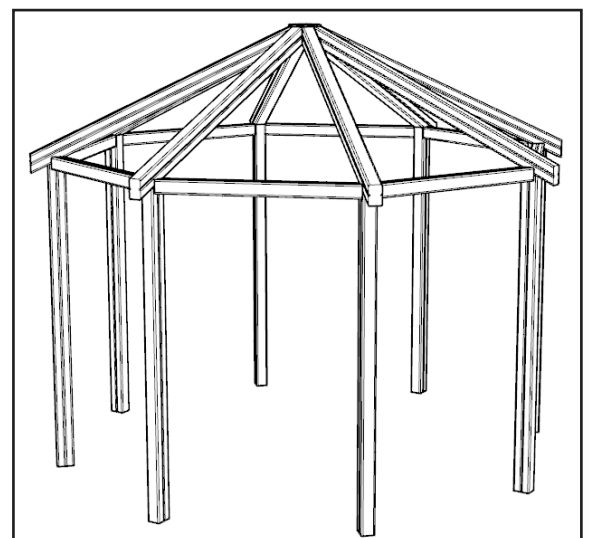
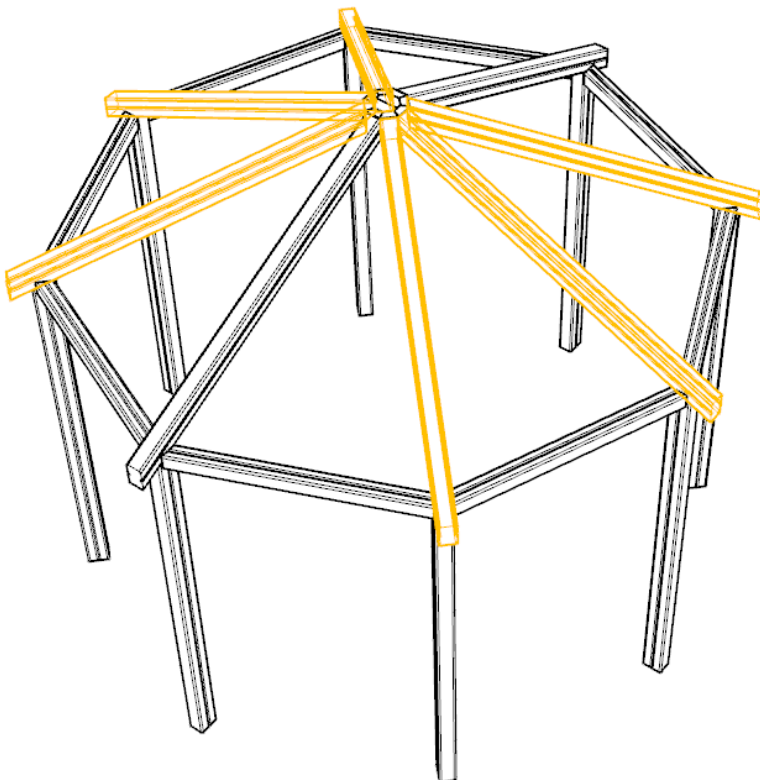
## **3** ATTACH RM TIMBERS TO KING POST (RT2) AND SCREW TO UPRIGHTS USING 2 X M8X120MM & 2 X M8X180MM WOOD SCREWS



**NOTES:**  
ENSURE SCREWS ARE AS SHOWN TO  
RIGHT, TAKE CARE NOT TO SPLIT  
UPRIGHT TIMBER



## **4** REPEAT FOR THE REMAINING RM TIMBERS USING 120MM SCREWS INTO THE KING POST AND 180 SCREWS INTO THE UPRIGHT TIMBERS



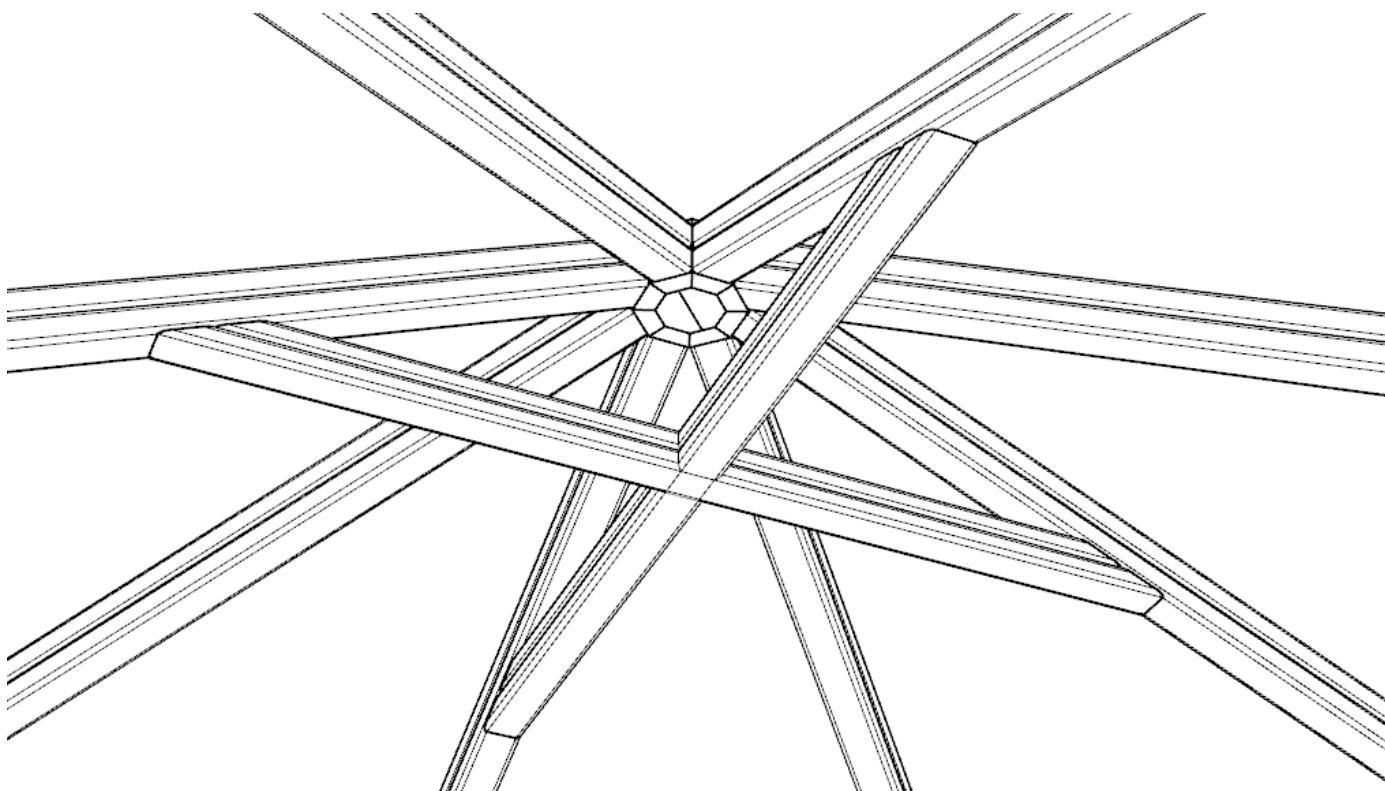
# INSTALLATION INSTRUCTIONS

---

**5**

**SCREW THE RBA-U ROOF SUPPORTS TO THE RM TIMBERS**

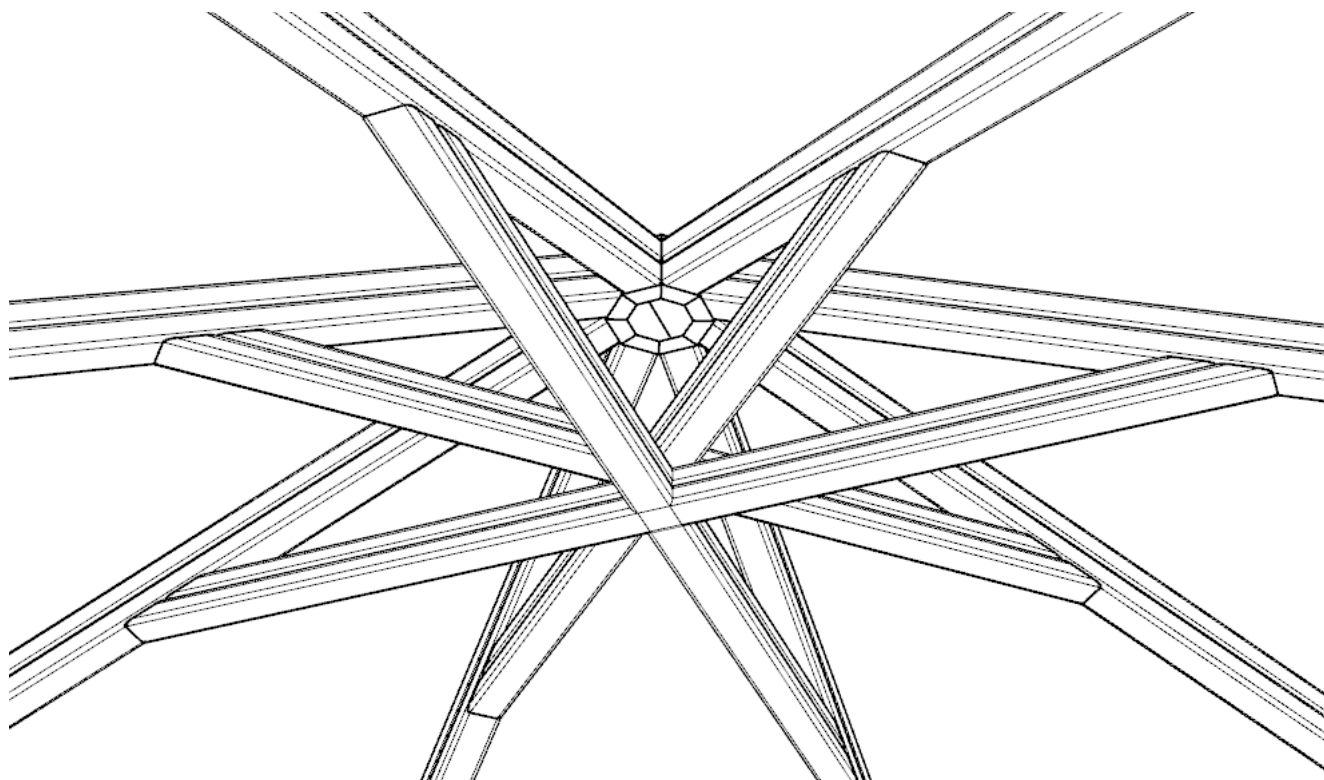
USING - 97.M8X120CSK - QUANTITY X 10



**6**

**SCREW THE RBA-L ROOF SUPPORTS TO THE RM TIMBERS**

USING - 97.M8X120CSK - QUANTITY X 8 / 97.M8X180CSK - QUANTITY X 2

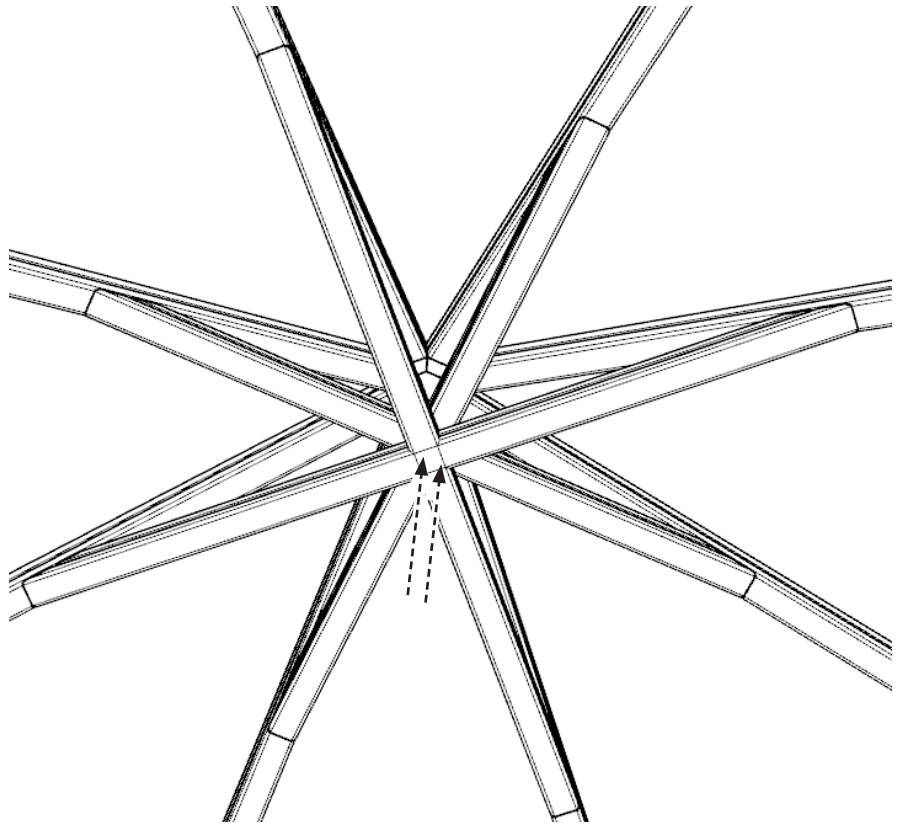
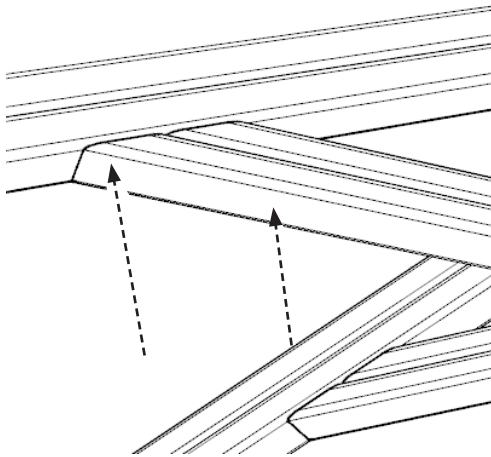




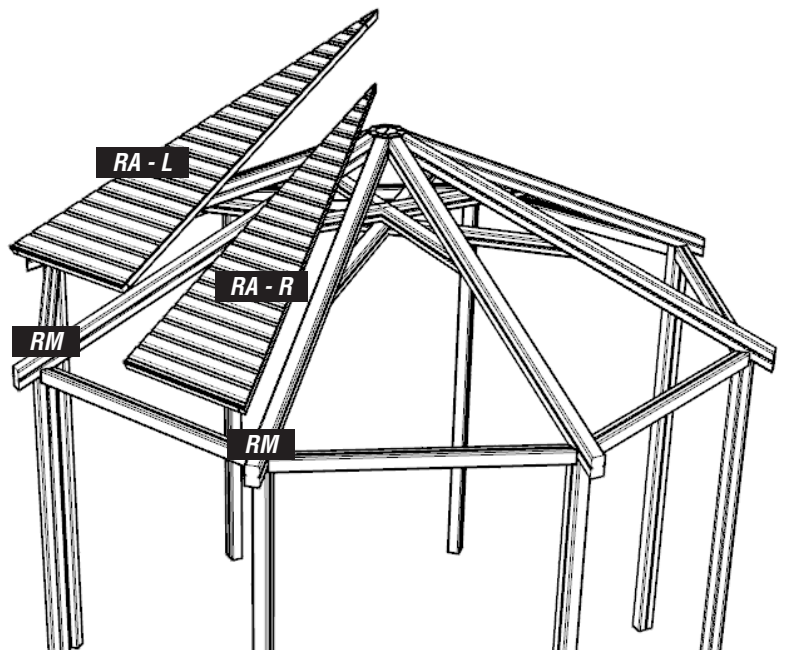
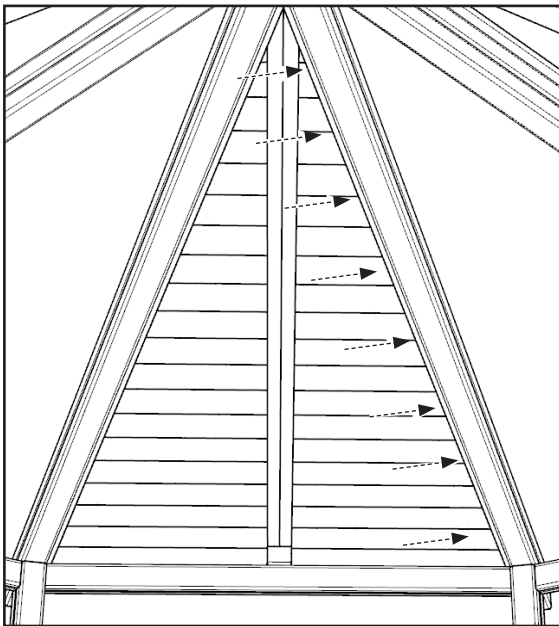
# INSTALLATION INSTRUCTIONS

**7** ENSURE ALL TIMBERS ARE SCREWED INTO THE UPRIGHTS AND TOGETHER  
USING - BOTH 120 & 180 SCREWS

**NOTES:**  
USE 180 SCREWS TO SCREW  
THROUGH THE LOWER & UPPER ROOF  
BRACE SUPPORTS



**8** ATTACH THE RA-L / RA-R ASSEMBLIES TO THE RM TIMBERS  
USING - 97.M8X80CSK - QUANTITY X 8 (INTO EACH RM TIMBER EITHER SIDE)

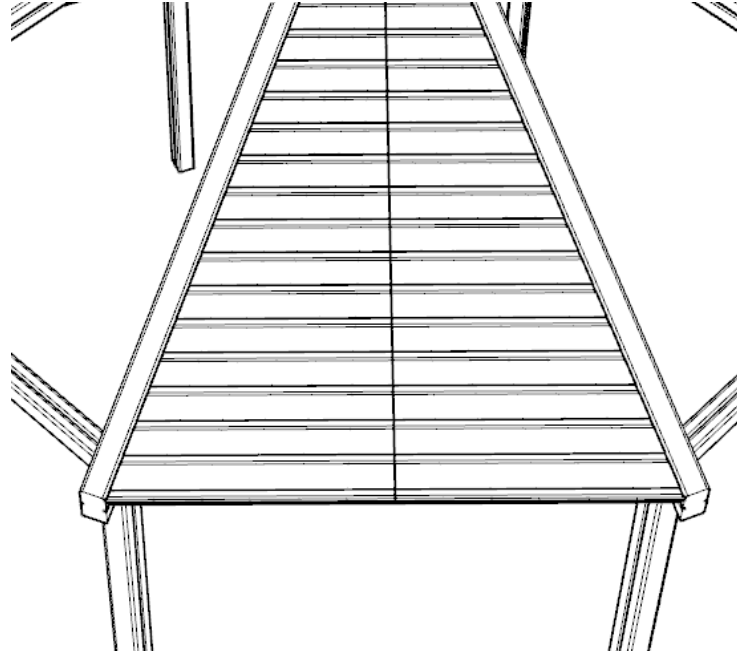
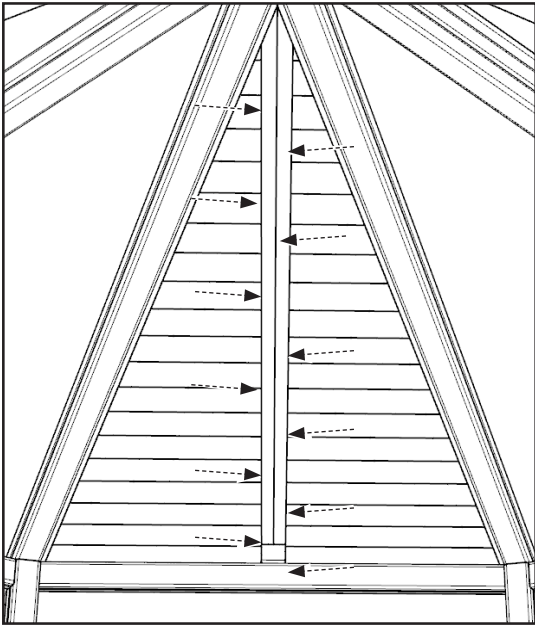


# INSTALLATION INSTRUCTIONS

**9**

**SECURE THE 2 SECTIONS OF ROOF (L - R) TOGETHER**

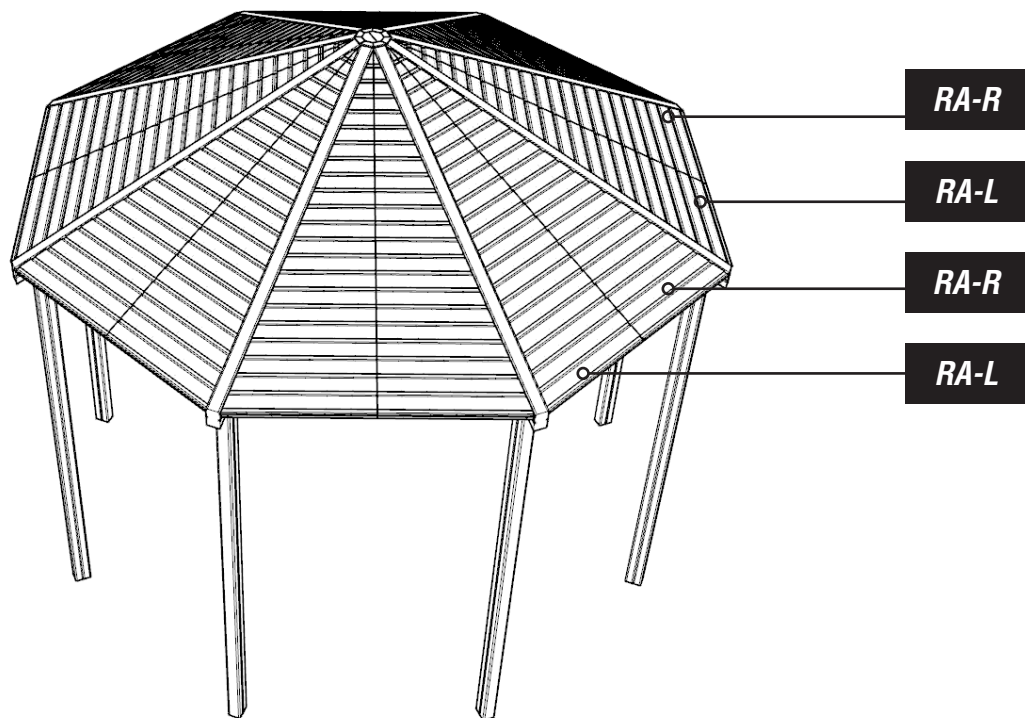
USING - 97.M8X80CSK - QUANTITY X 12 MIDDLE SECTION



**10**

**REPEAT FOR THE REMAINING ROOF ASSEMBLIES**

USING - 97.M8X80CSK - QUANTITY X 28 PER ROOF PANEL

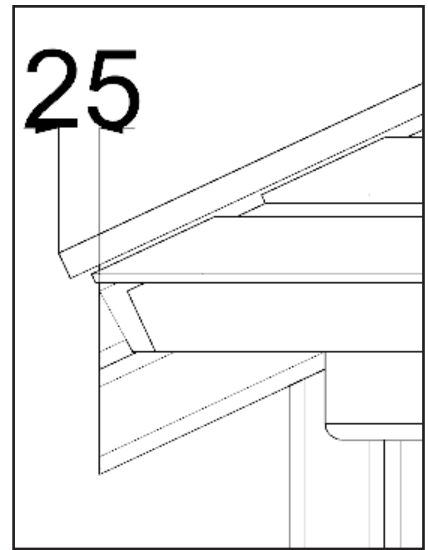
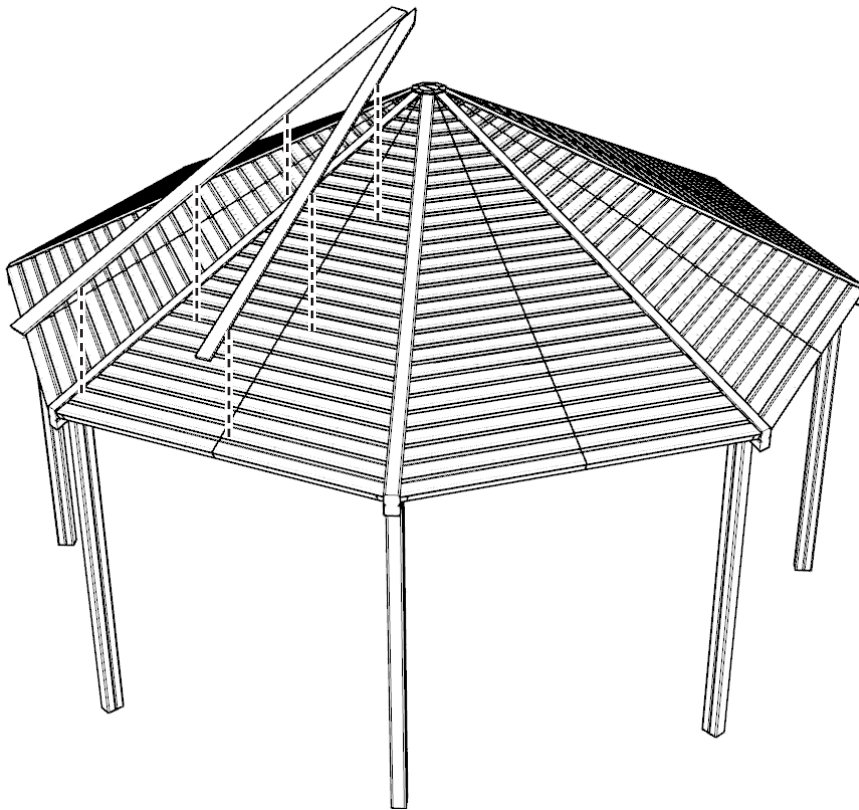


# INSTALLATION INSTRUCTIONS

**11**

## ATTACH THE ROOF TRIM TIMBERS

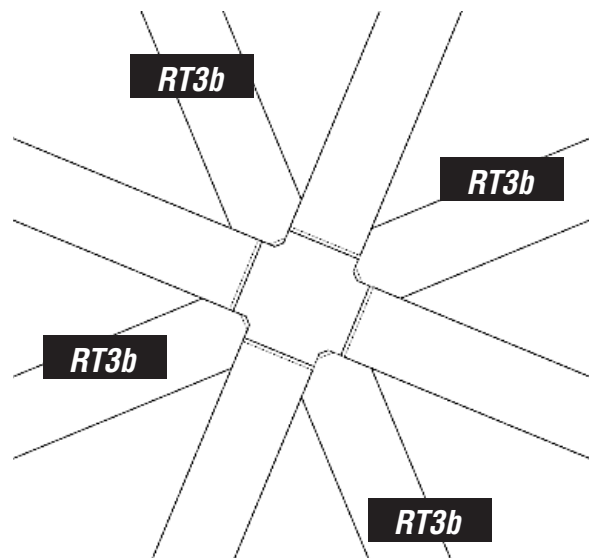
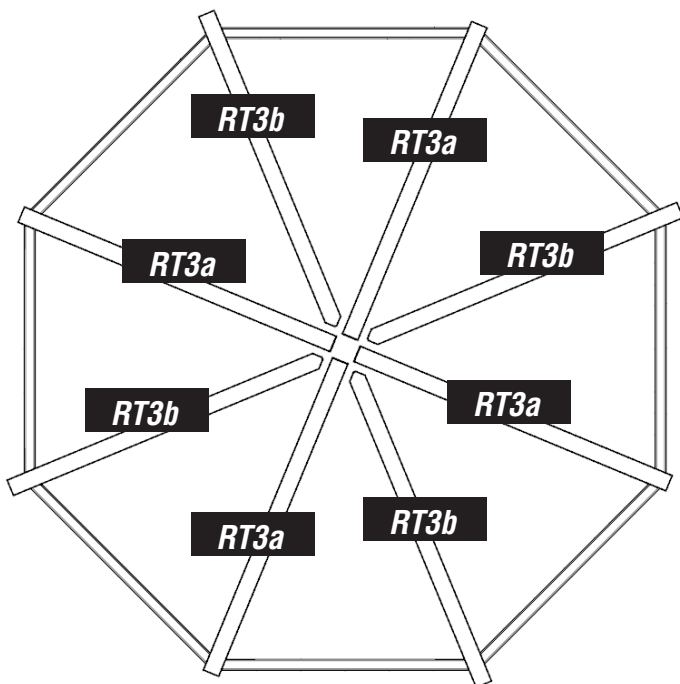
USING - 97.M8X80CSK



**12**

## REPEAT FOR THE REMAINING ROOF ASSEMBLIES

USING - 97.M8X80CSK - QUANTITY X 6 PER TIMBER



### NOTES:

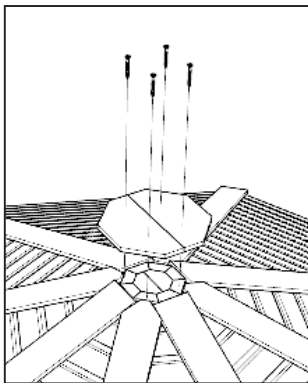
RT3b HAS A 'ANGLE CUT TOP'

# INSTALLATION INSTRUCTIONS

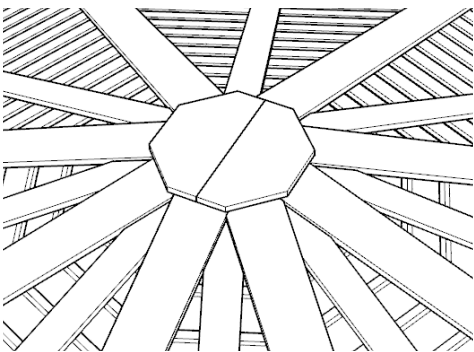
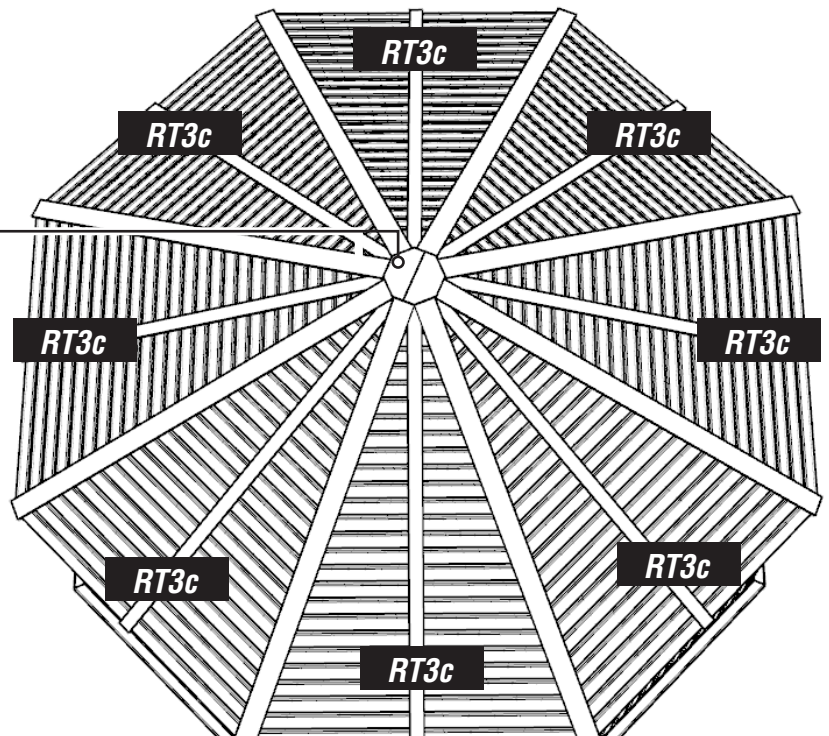
**13**

## ATTACH THE ROOF TRIM TIMBERS RT3c

USING - 97.M8X80CSK - QUANTITY X 6 TIMBER (4 FOR THE ROOF CAP)



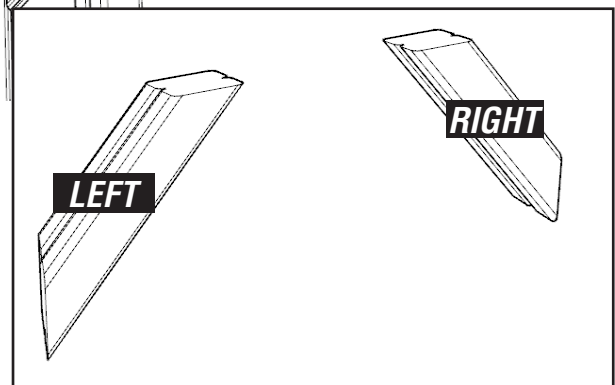
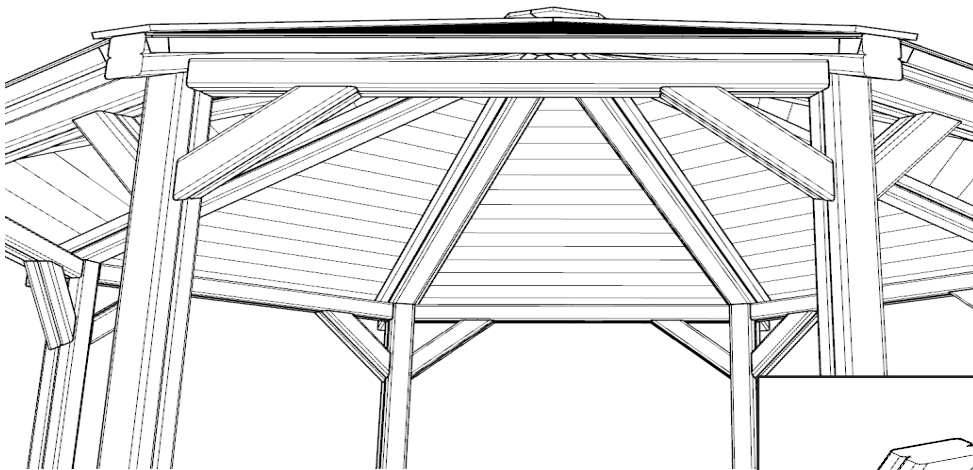
**RT1**



**14**

## ATTACH ROOF BRACES - LEFT / RIGHT

USING - 97.M8X80CSK - QUANTITY X 4 PER TIMBER



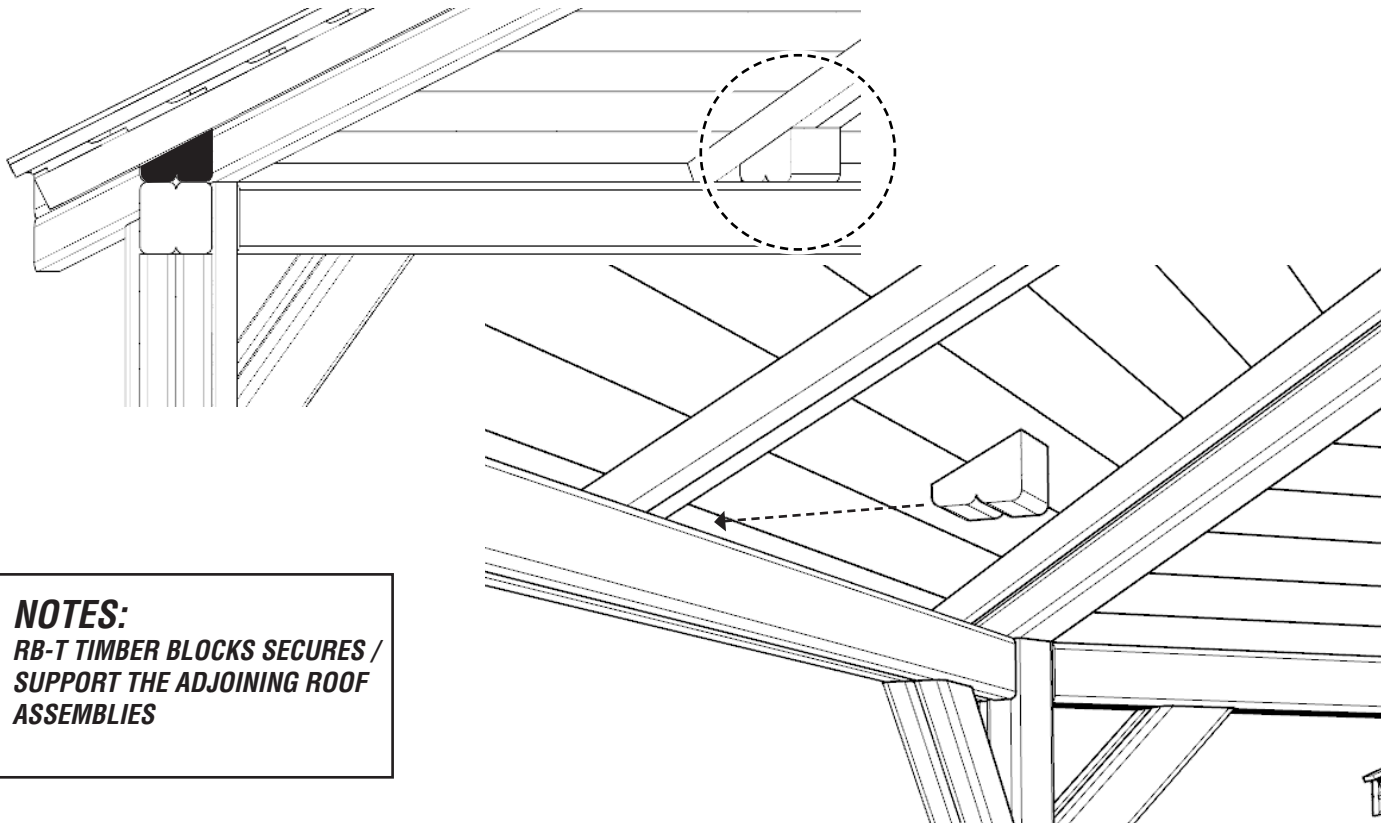
### NOTES:

COMPOUND CUT FACE IS POSITIONED AGAINST THE UPRIGHT TIMBER

**15**

**FURTHER SUPPORT THE ROOF USING RB-T TIMBERS**

*USING - 97.M8X80CSK - QUANTITY X 4 PER 'WEDGE'*



**16**

**INSTALLATION COMPLETE**

*PLEASE CHECK ALL SCREWS COUNTERSUNK / NEAT SAND ANY TIMBERS AS REQUIRED*

