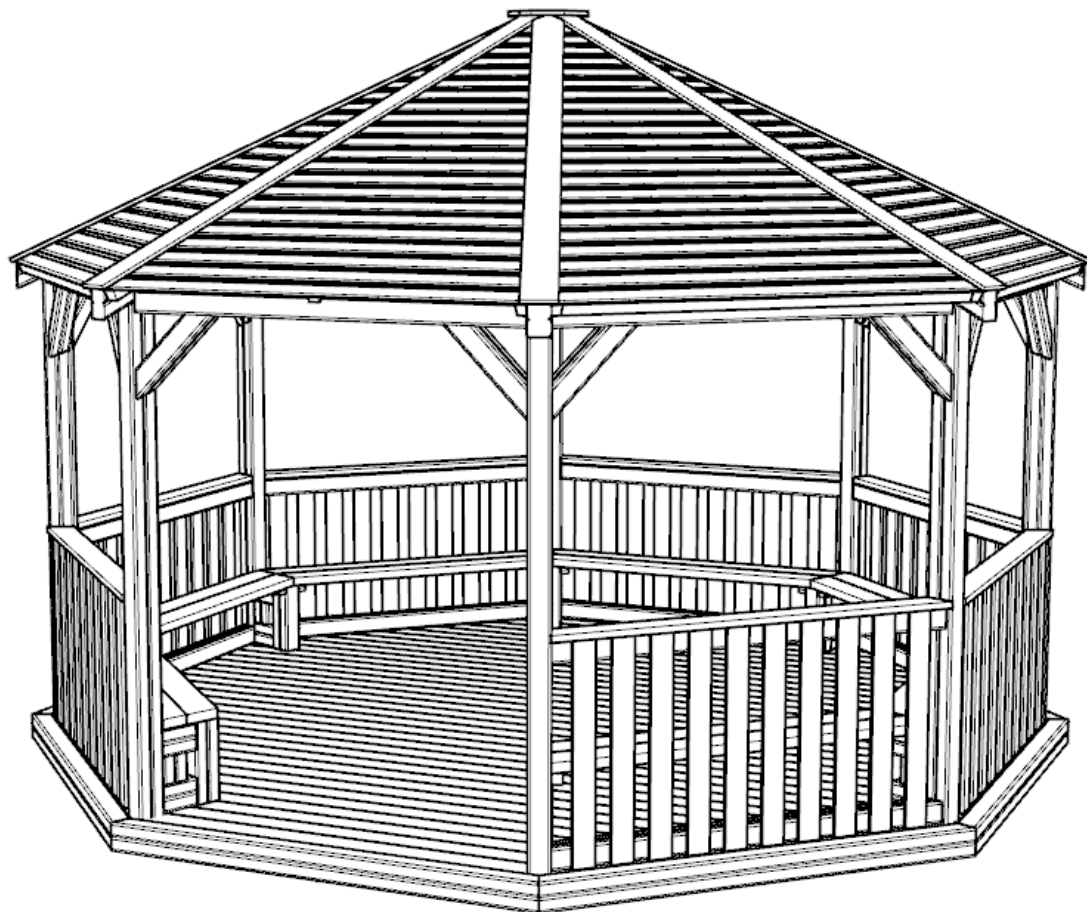


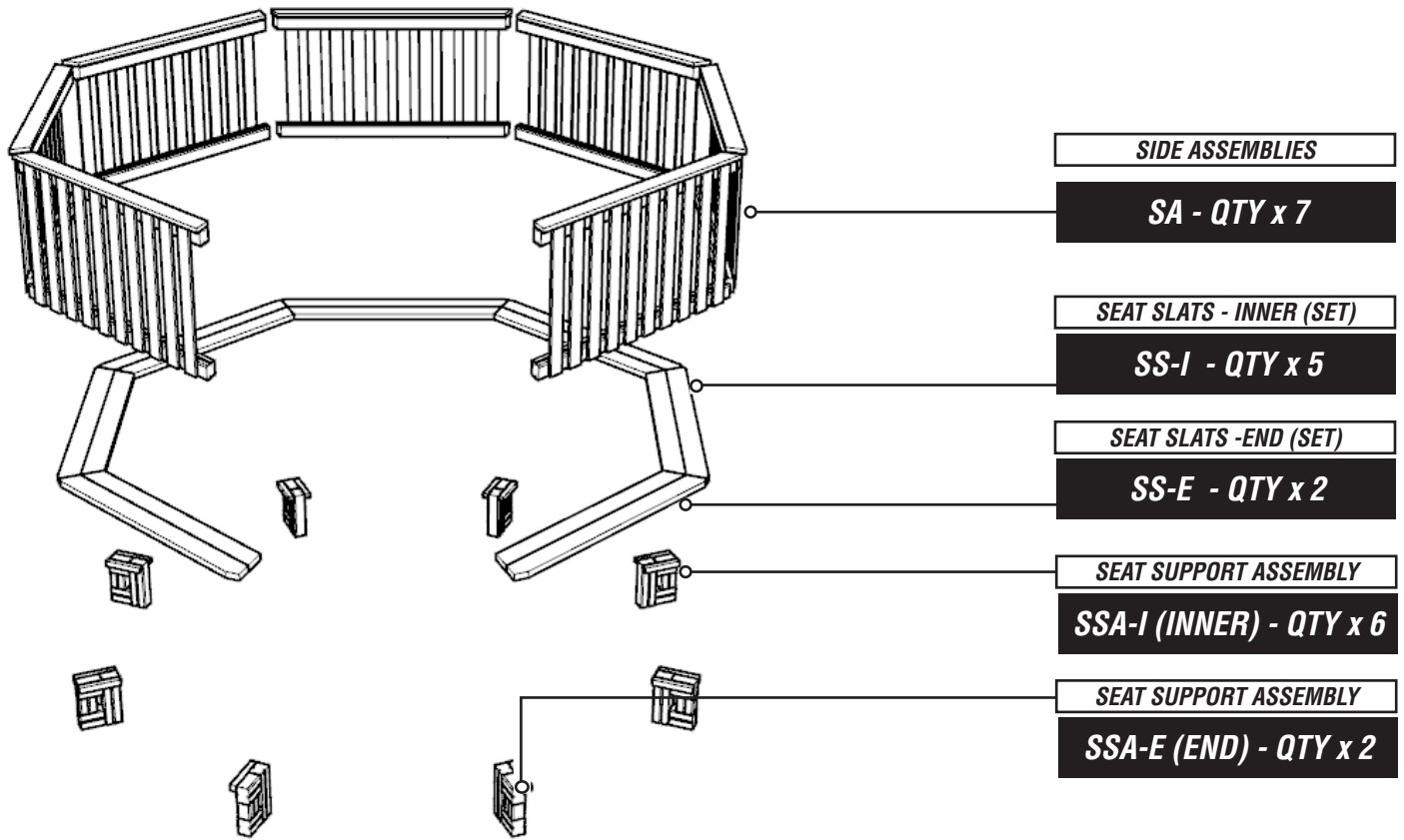
# **OS112 - OCTAVIA COMPLETE (5M)**

## ***Installation Instructions***

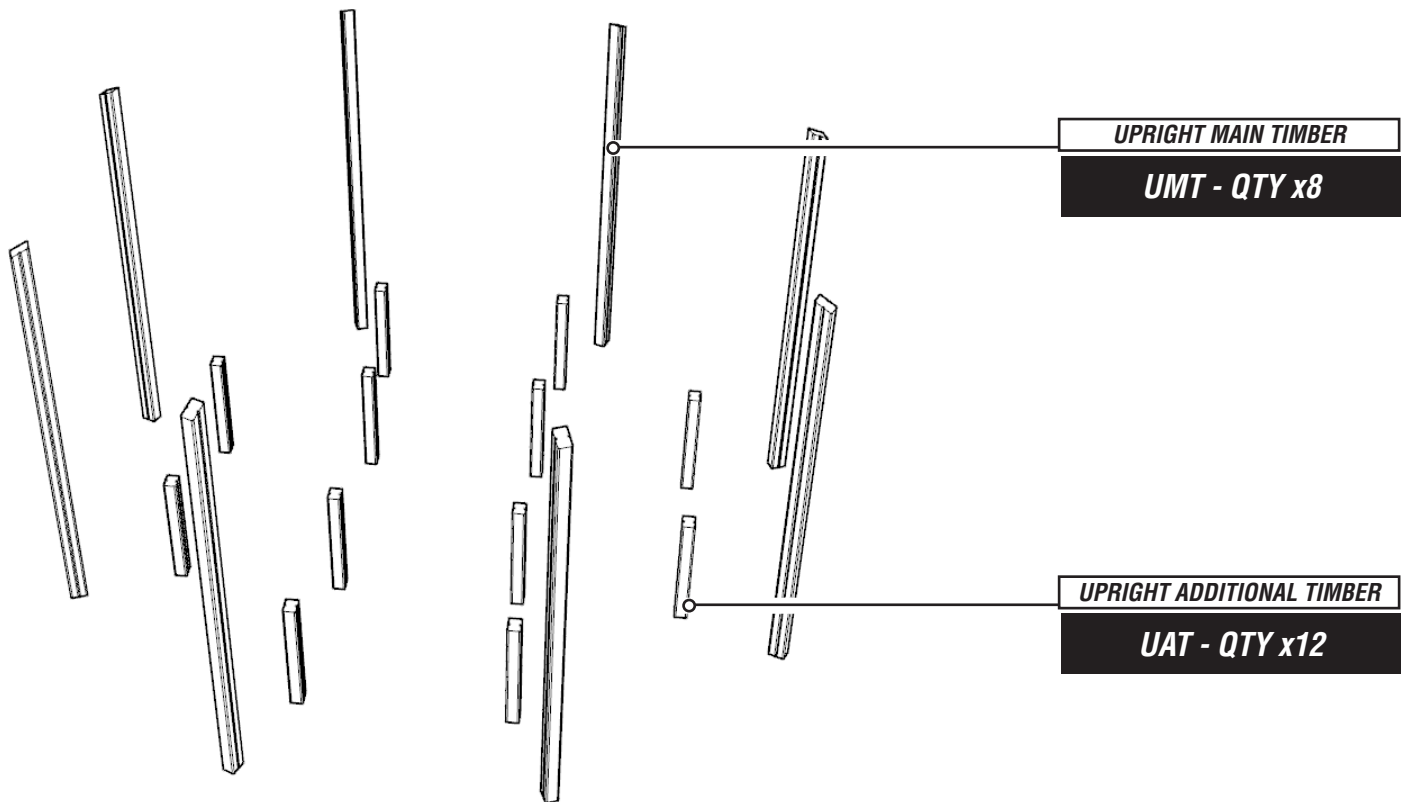
**creative  
play**



# PARTS REQUIRED

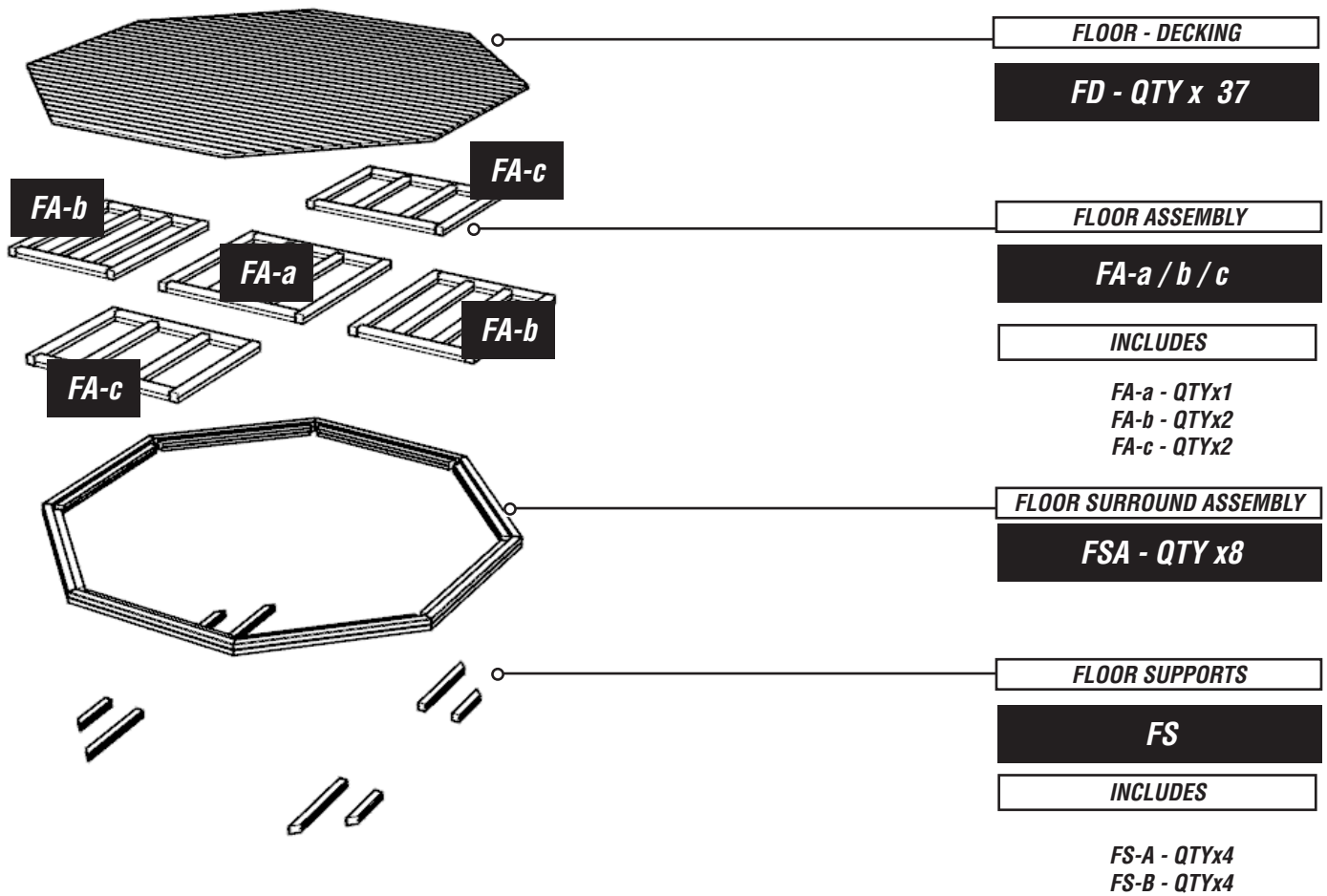


## SEATING & SIDES PARTS / ASSEMBLIES

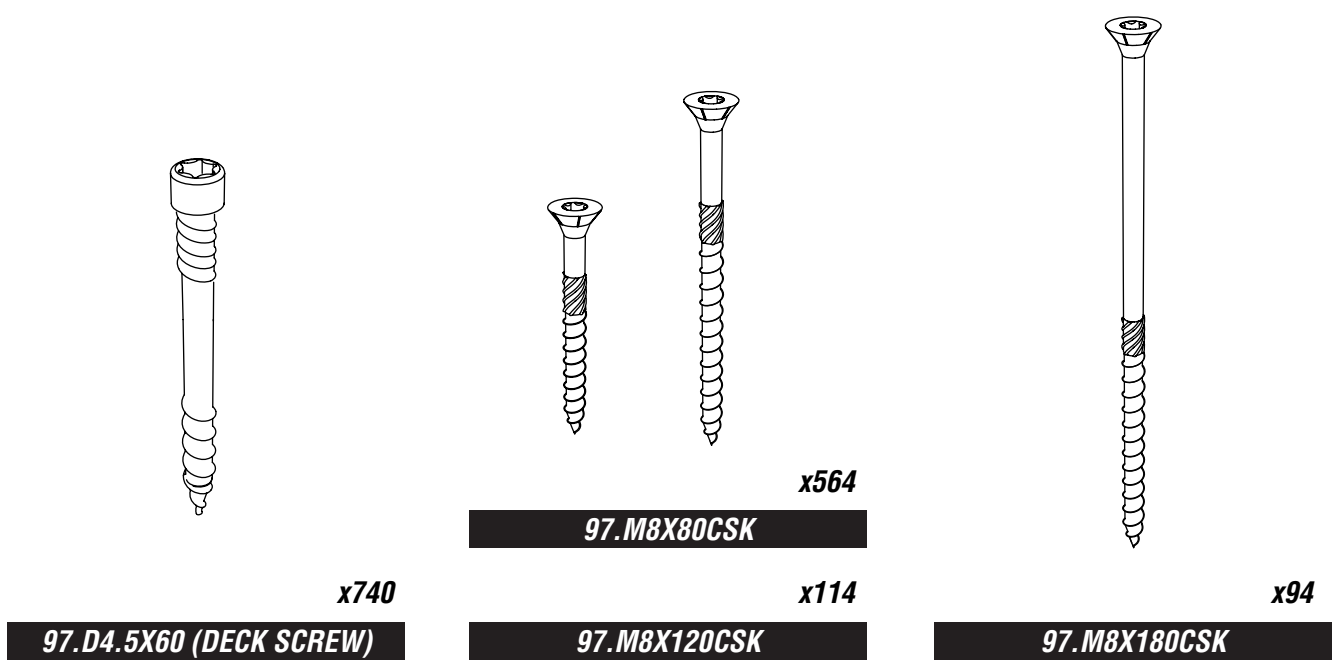


## UPRIGHT TIMBERS

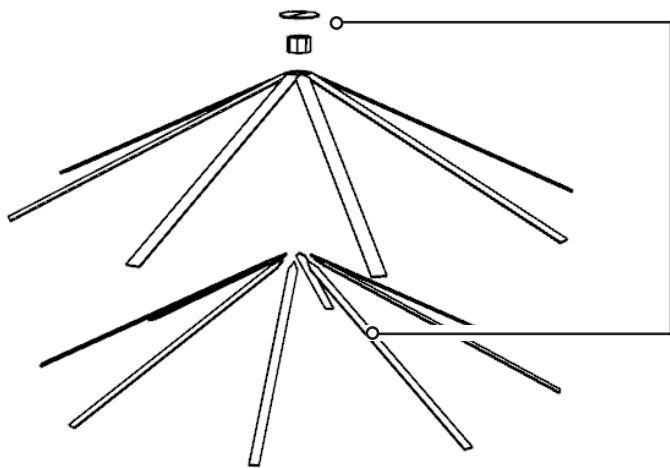
# PARTS REQUIRED



## FLOOR PARTS / ASSEMBLIES



# PARTS REQUIRED

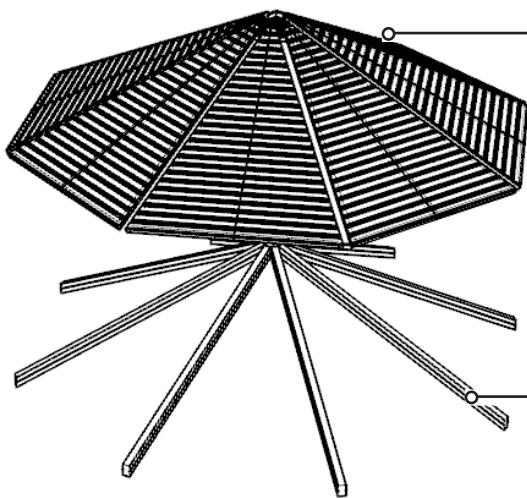


**ROOF TRIM / KING 'POST'**

**RT**

**INCLUDES**

RT1 - QTYx2  
 RT2 - QTY x1  
 RT3a - QTY x4  
 RT3b - QTY x4  
 RT3c - QTY x4



**ROOF ASSEMBLIES**

**RA-L & RA-R**

**INCLUDES**

RA-L - QTYx8  
 RA-R - QTY x8

**ROOF MAIN SUPPORTS**

**RM - QTY x 8**

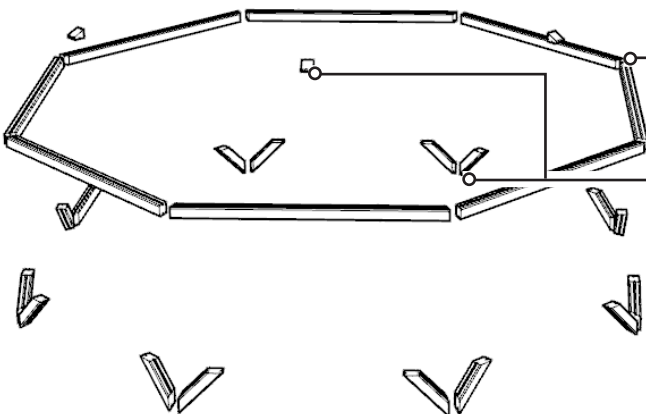


**ROOF SUPPORTS ADDITIONAL**

**RBA**

**INCLUDES**

RBA-u - QTY x 1 (SET)  
 RBA-l - QTY x 1 (SET)



**ROOF SUPPORTS**

**RS - QTY x 8**

**ROOF BRACES**

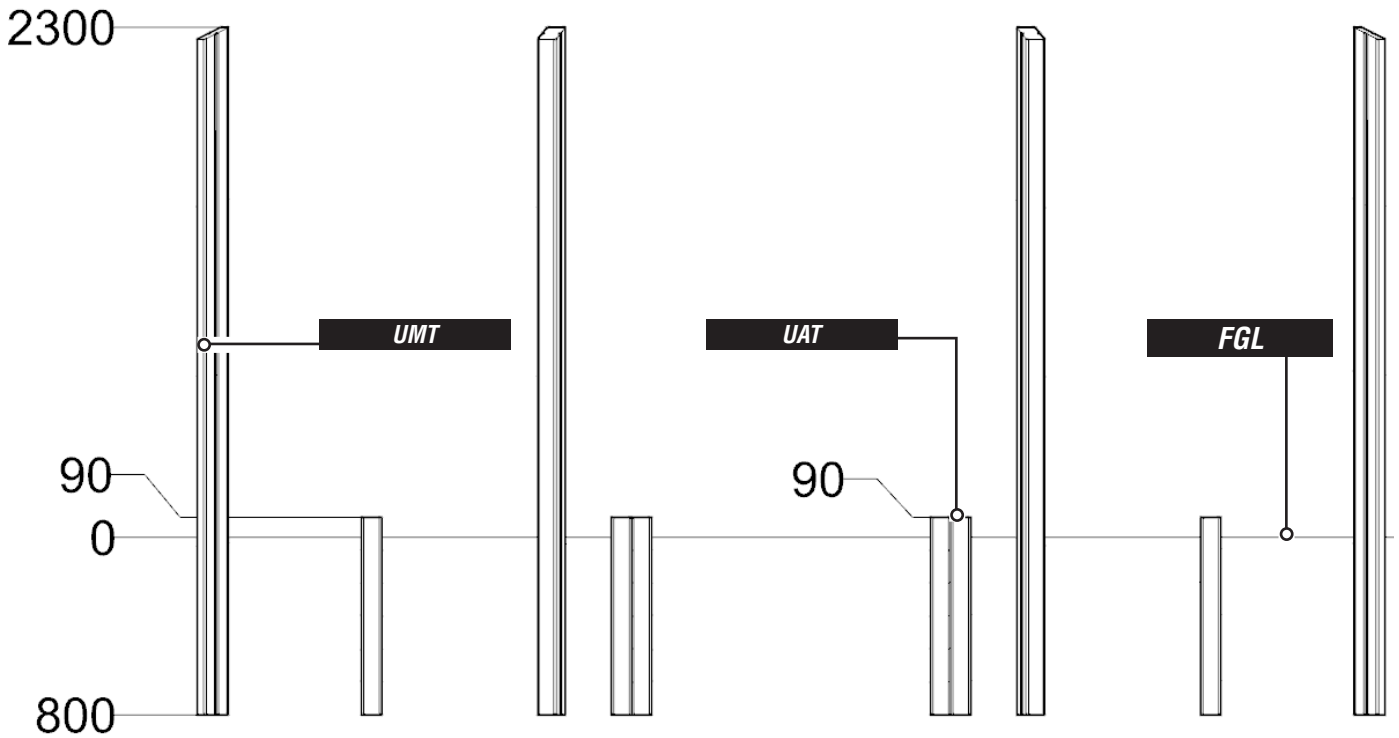
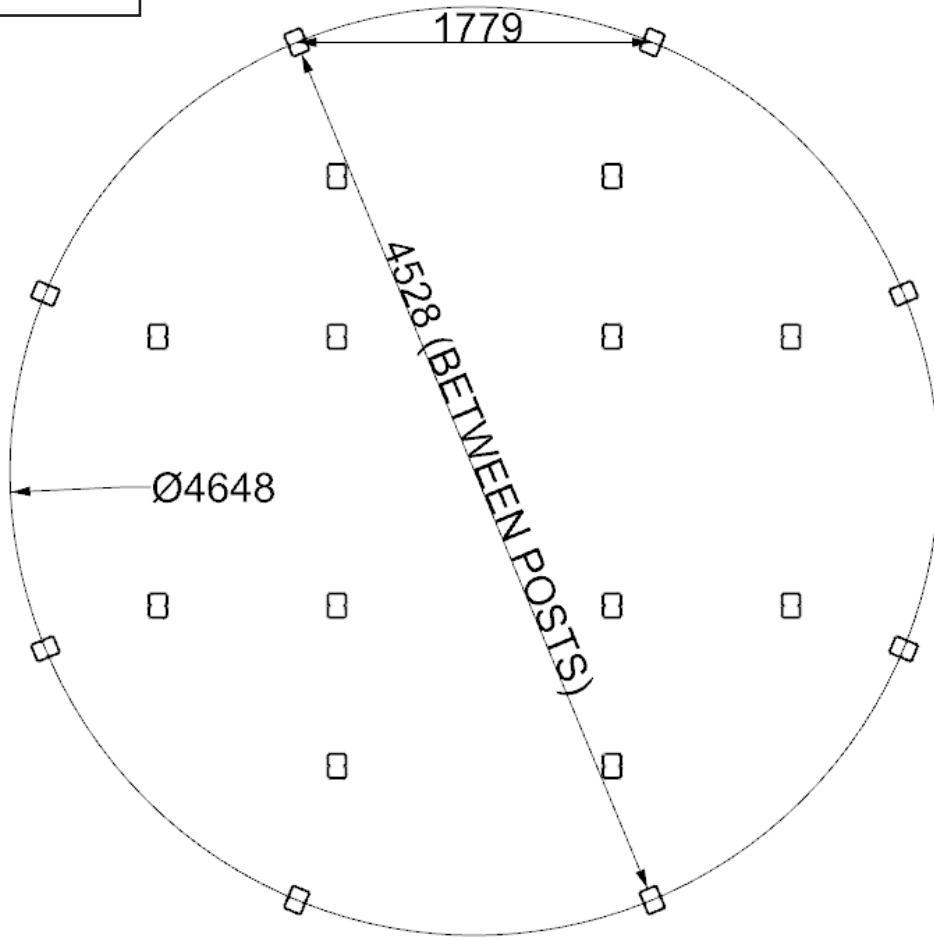
**RB**

**INCLUDES**

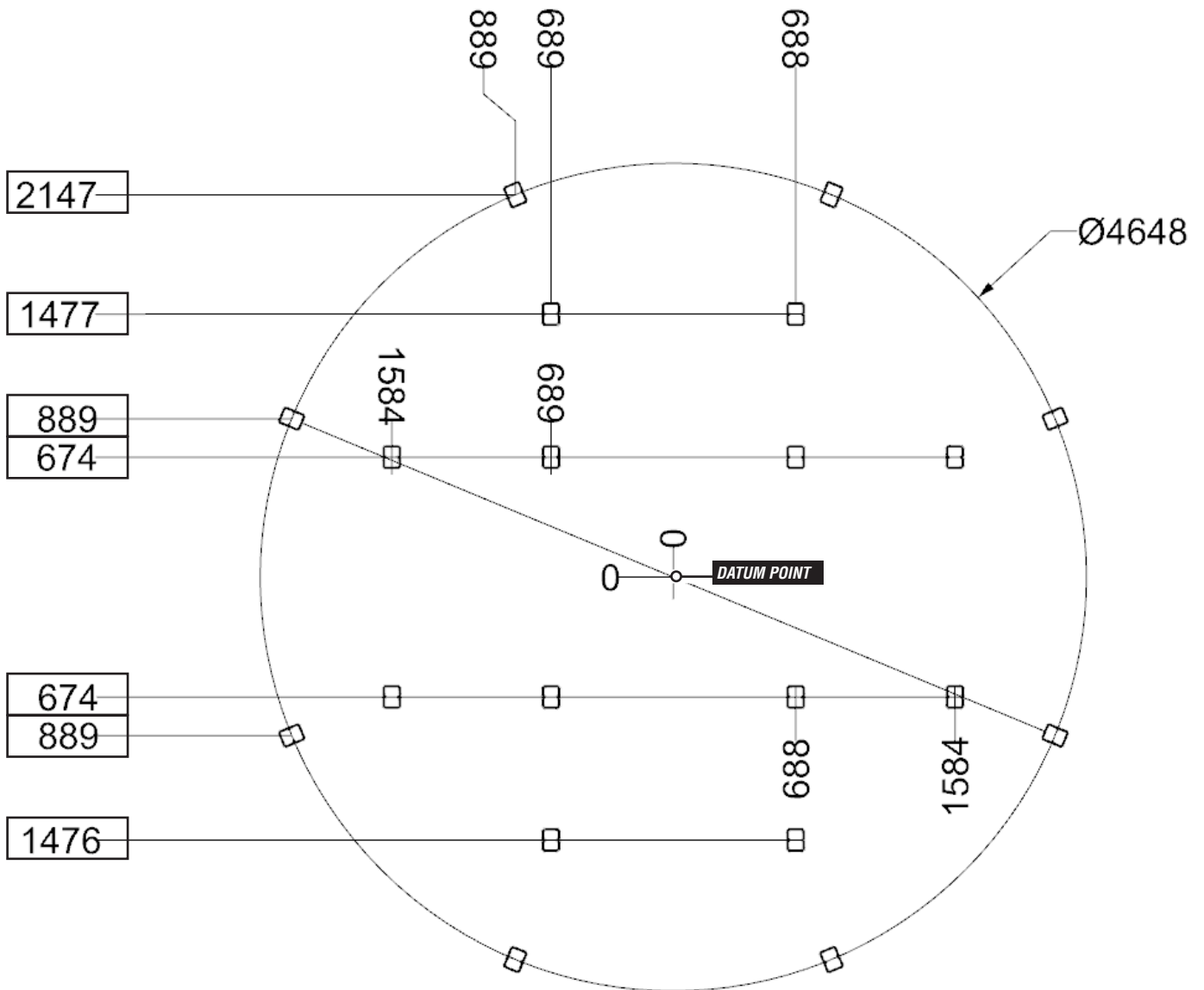
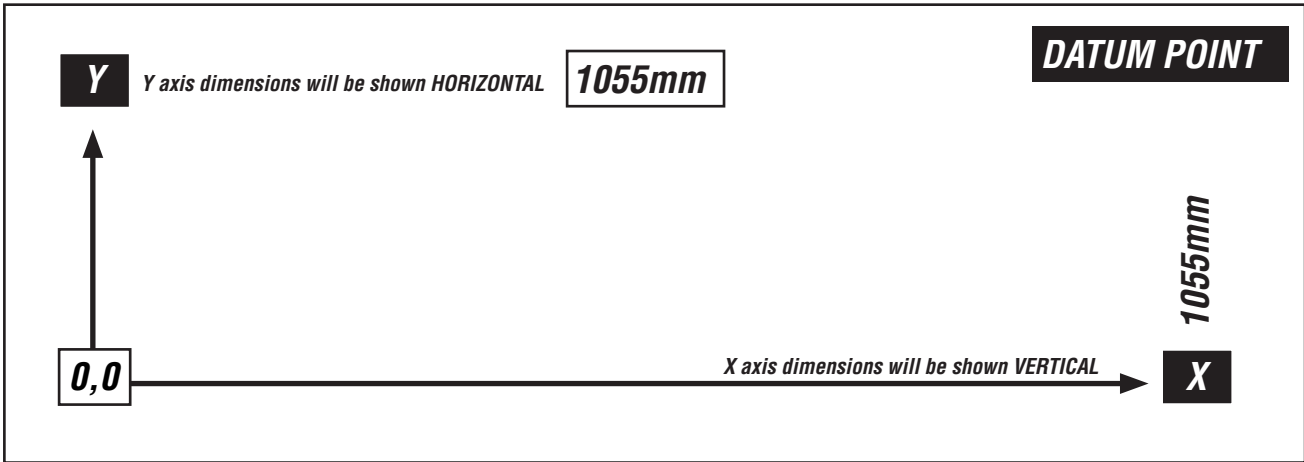
RB-R QTY x 8 (RIGHT)  
 RB-L QTY x 8 (LEFT)  
 RB-T QTY x 8

# FOUNDATION DETAILS

**NOTES:**  
POST HOLES 400MM x 400MM

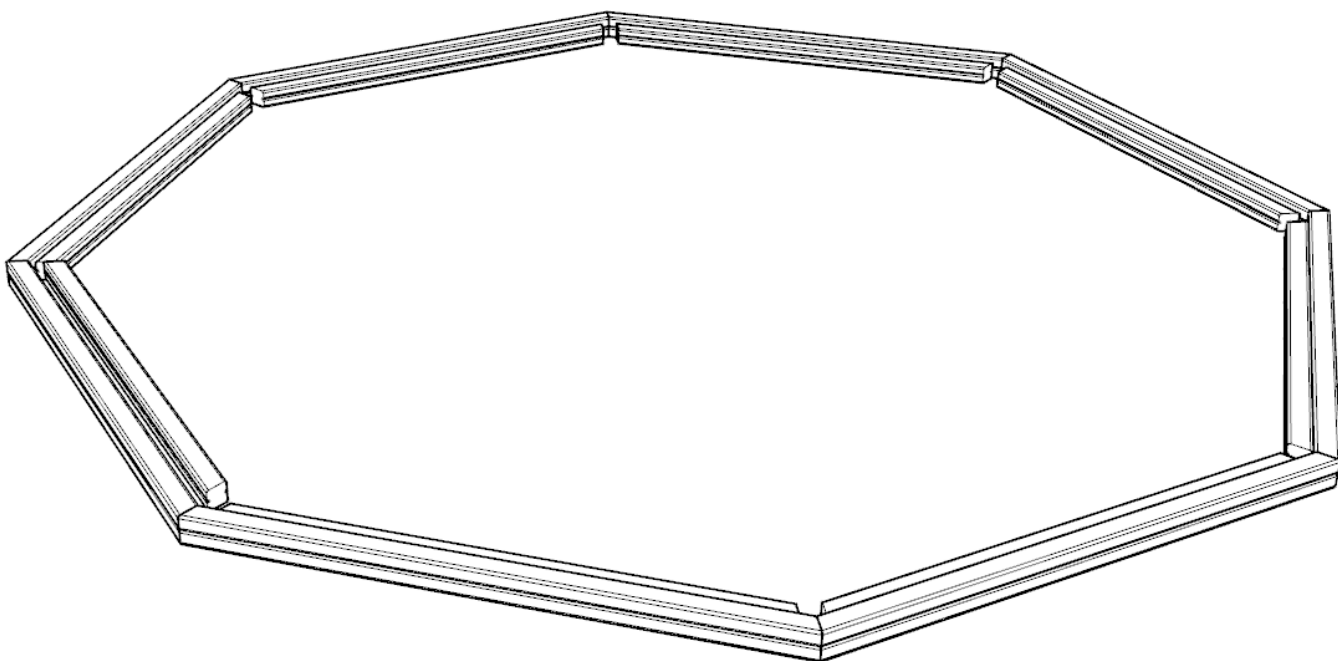


# FOUNDATION DETAILS

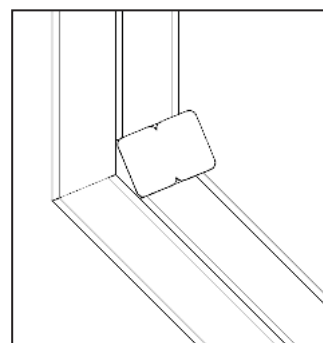
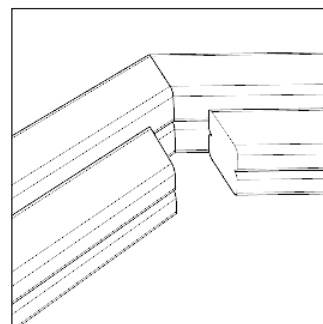
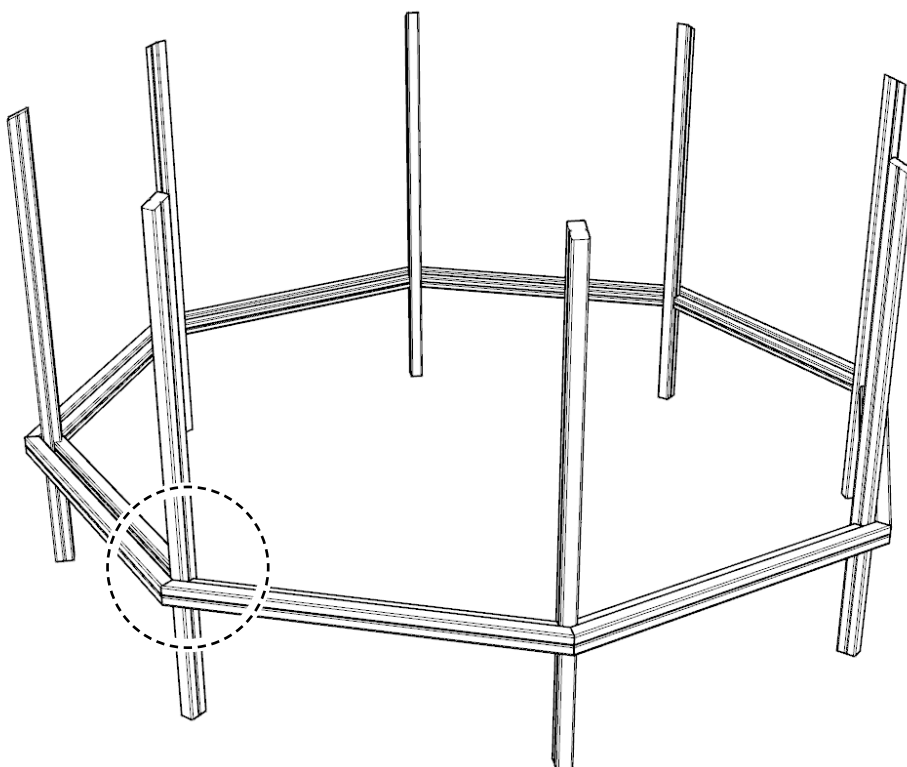


# INSTALLATION INSTRUCTIONS

- 1** **POSITION FSA ASSEMBLIES**  
POSITION THESE ON THE GROUND 120MM FACE ON THE OUTSIDE

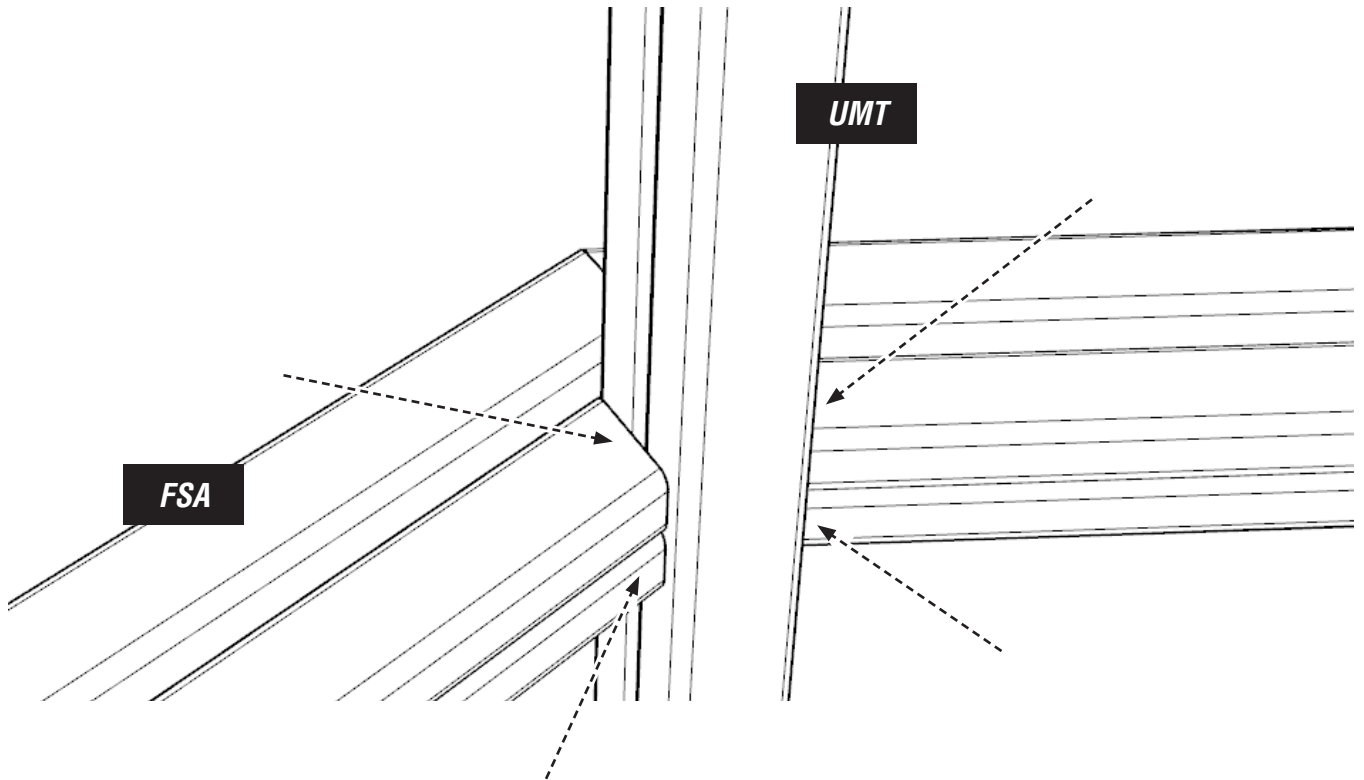


- 2** **INSTALL THE UMT TIMBERS**  
THE 90X90 TIMBER ON THE FSA ASSEMBLIES HELP POSITION THESE

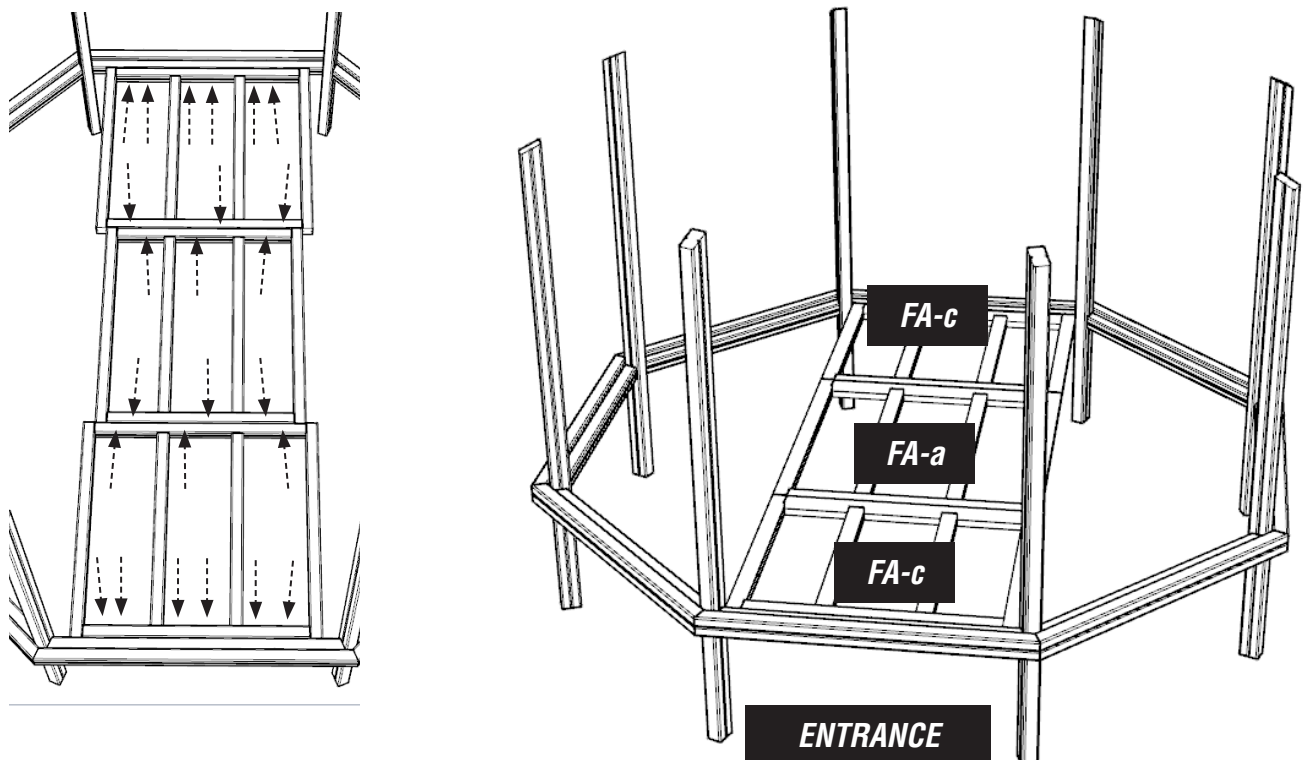


# INSTALLATION INSTRUCTIONS

## 3 SCREW THE FAS ASSEMBLIES TO THE UMT TIMBERS USING - 97.M8X120CSK - QUANTITY X 32



## 4 INSTALL FLOOR ASSEMBLY - FA-a / FA-c USING - 97.M8X180CSK - QUANTITY X 24



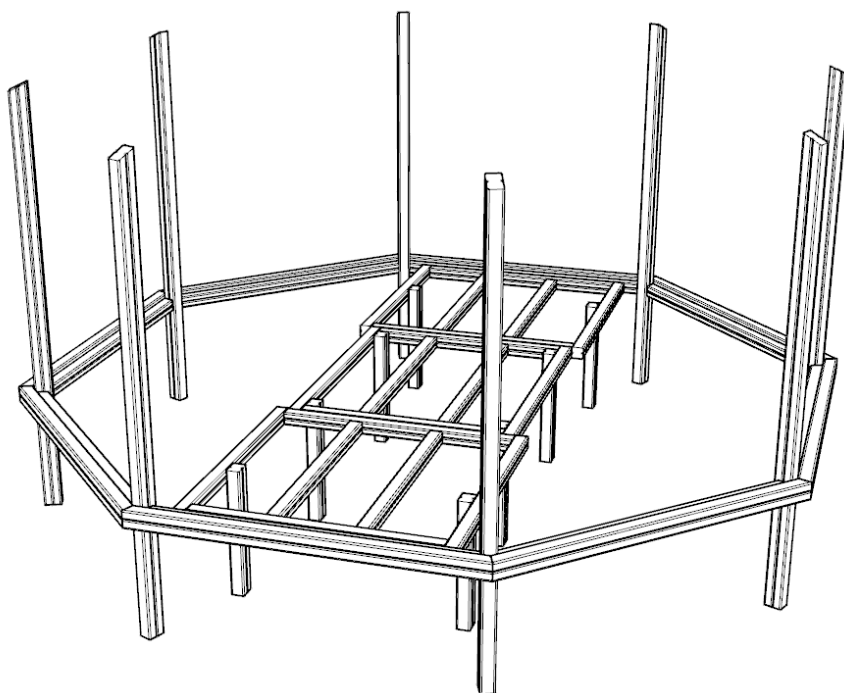
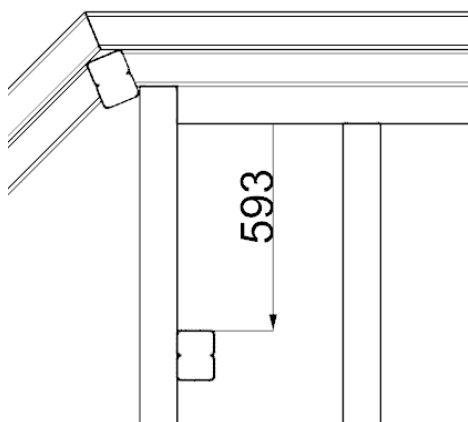


# INSTALLATION INSTRUCTIONS

**5**

**ATTACH 8 x UAT TIMBERS TO THE FLOOR ASSEMBLIES**

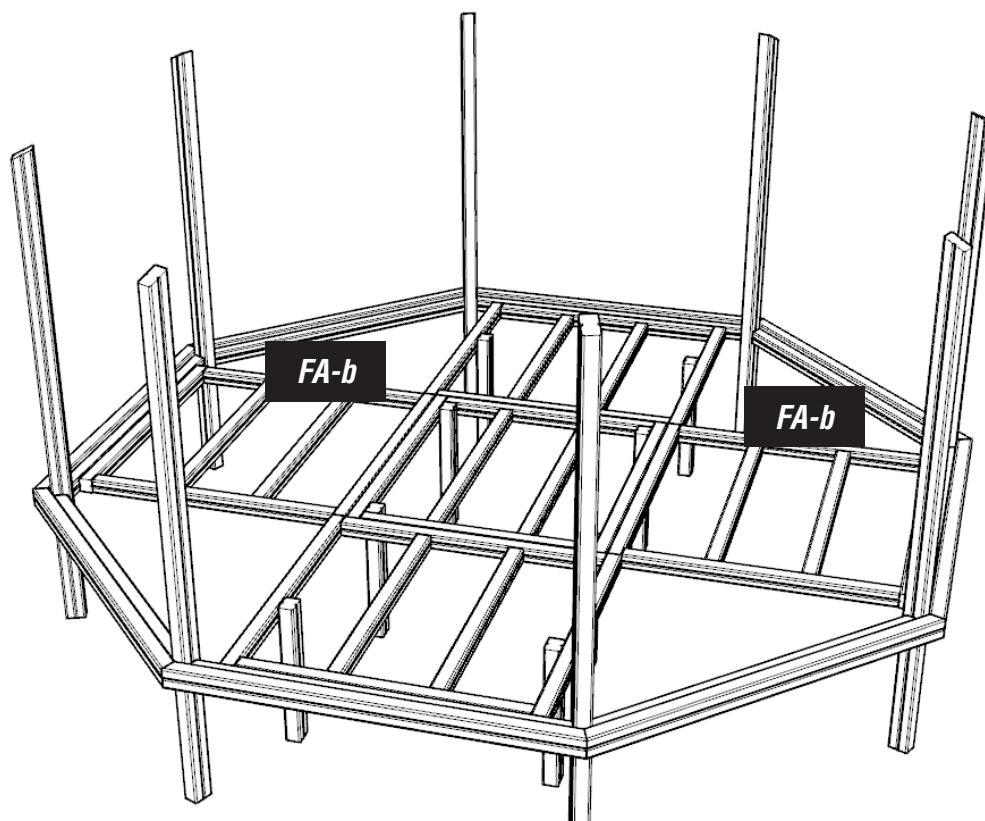
USING - 97.M8X180CSK - QUANTITY X 16



**6**

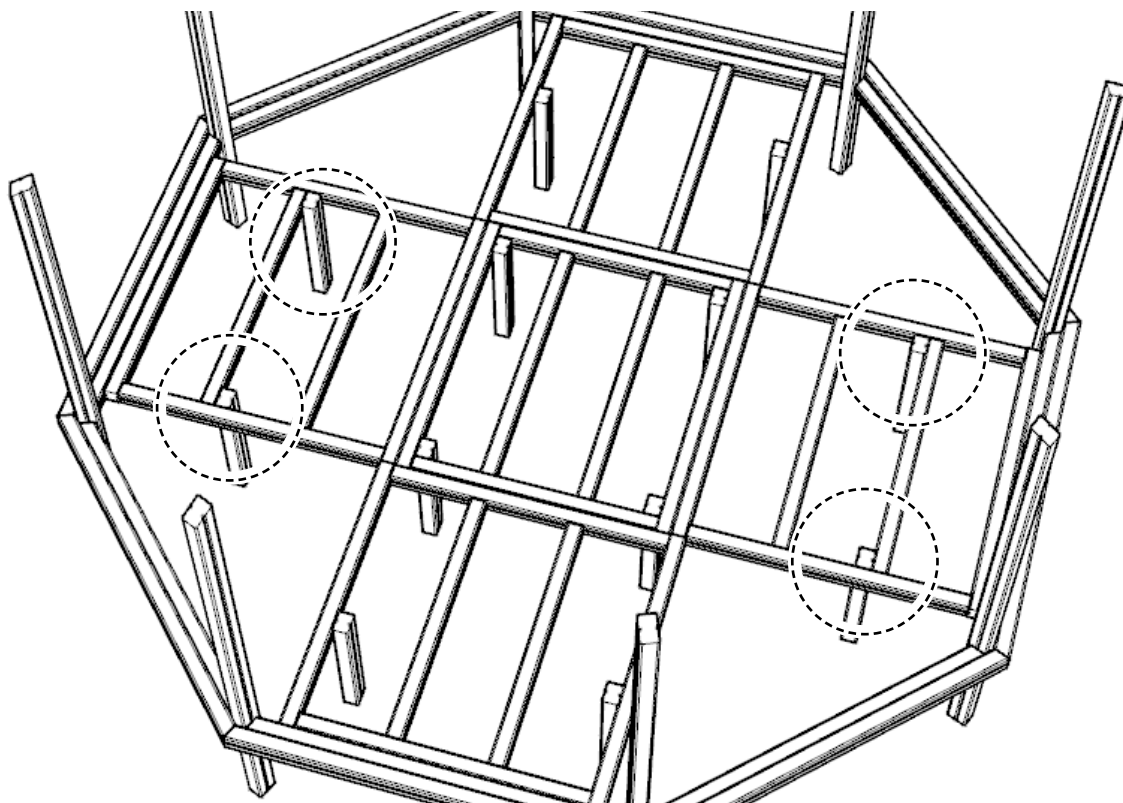
**INSTALL FLOOR ASSEMBLY - FA-b**

USING - 97.M8X180CSK - QUANTITY X 12

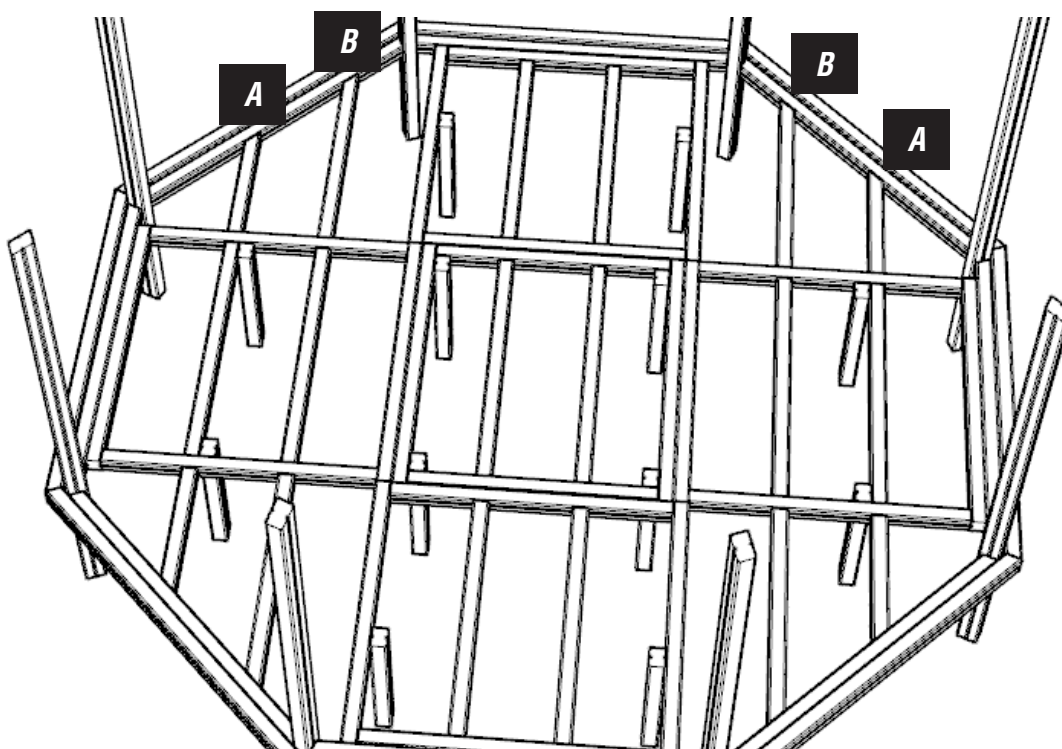


# INSTALLATION INSTRUCTIONS

## **7** ATTACH REMAINING UAT TIMBERS TO THE FLOOR ASSEMBLIES USING - 97.M8X180CSK - QUANTITY X 8



## **8** INSTALL FLOOR SUPPORTS - FS-A / FS-B USING - 97.M8X120CSK - QUANTITY X 32

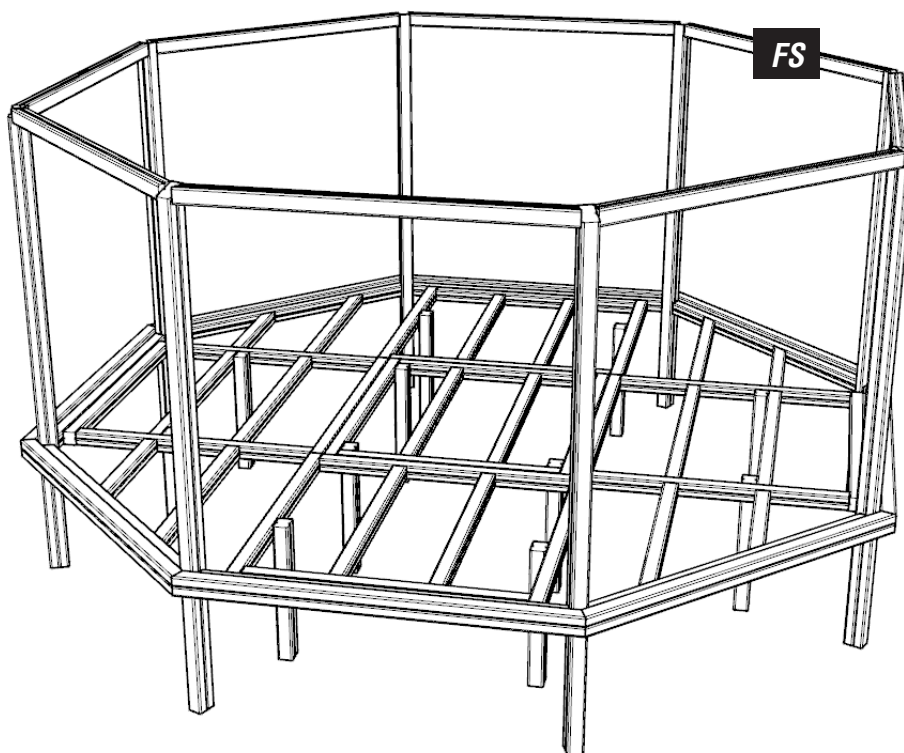


# INSTALLATION INSTRUCTIONS

**9**

## ATTACH RS ROOF TIMBERS

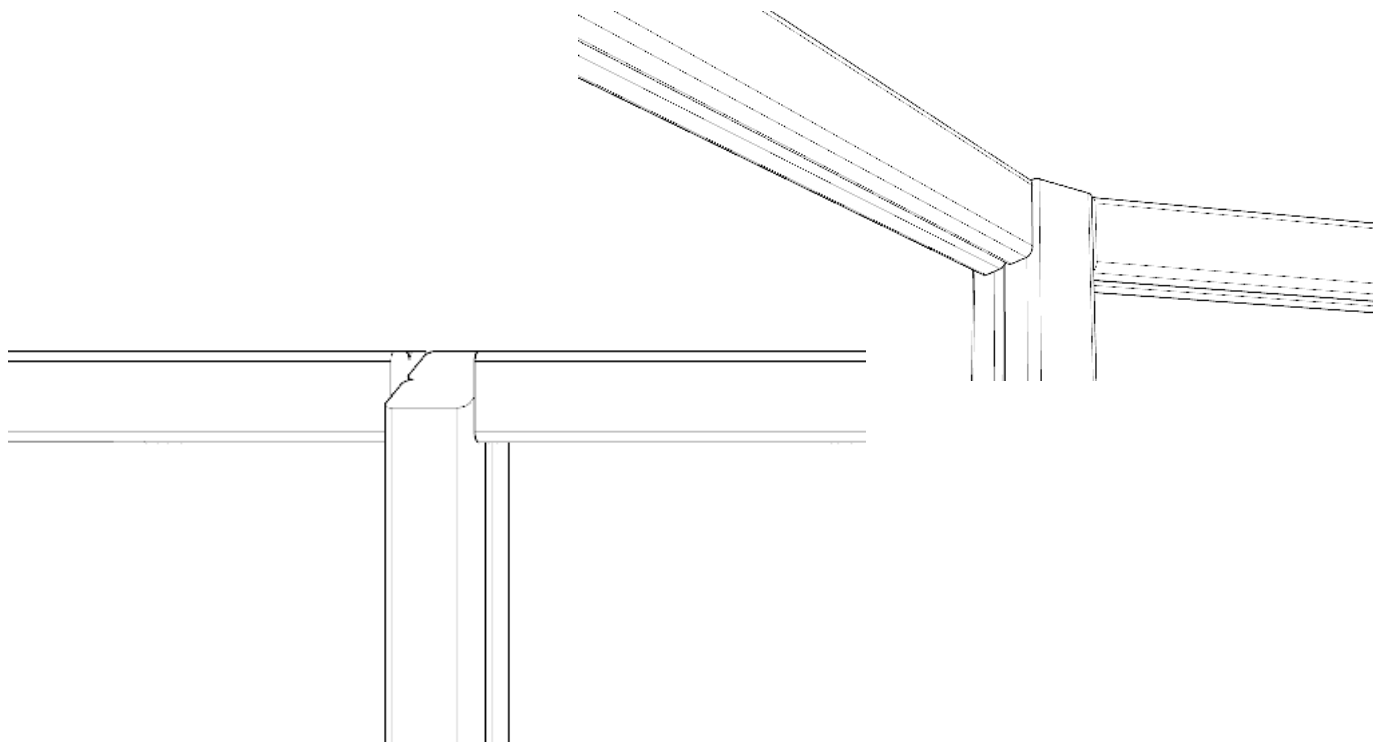
USING - 97.M8X80CSK - QUANTITY X 32



**10**

## ENSURE TIMBERS ARE POSITIONED AS SHOWN BELOW

TIMBERS ARE POSITIONED LEVEL WITH THE TOP OF THE UPRIGHT TIMBER

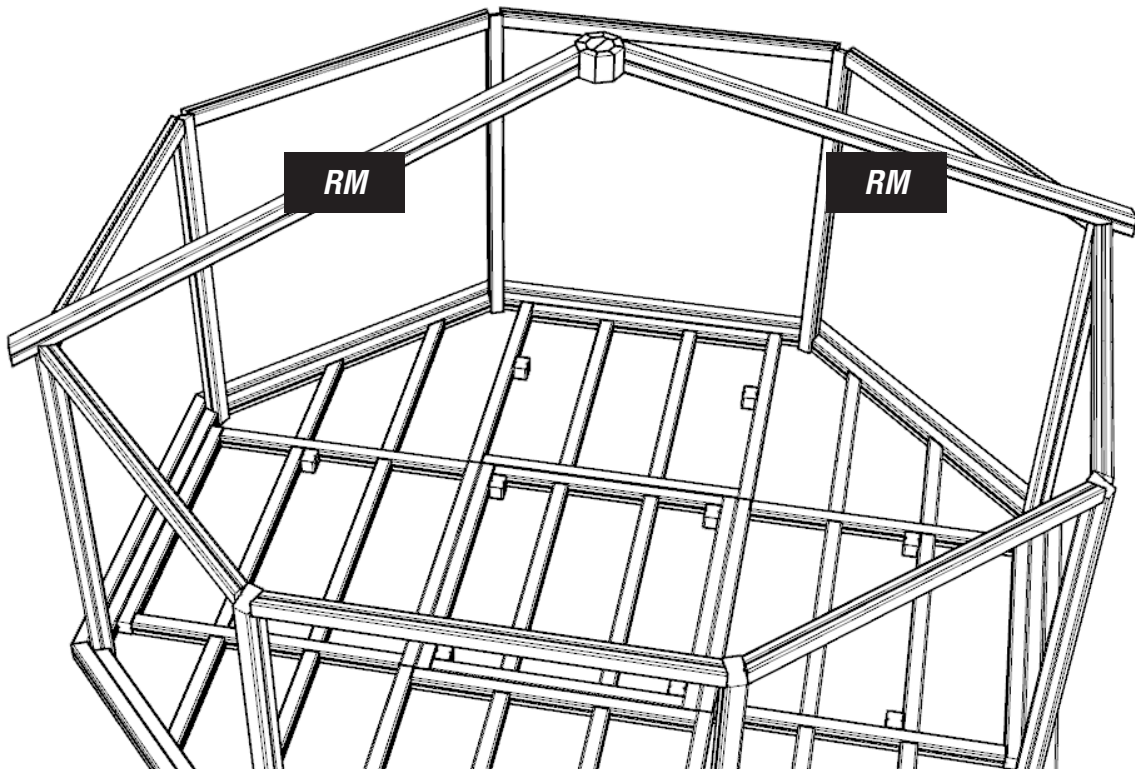


# INSTALLATION INSTRUCTIONS

**11**

**ATTACH RM ROOF TIMBERS TO THE KING POST (RT1)**

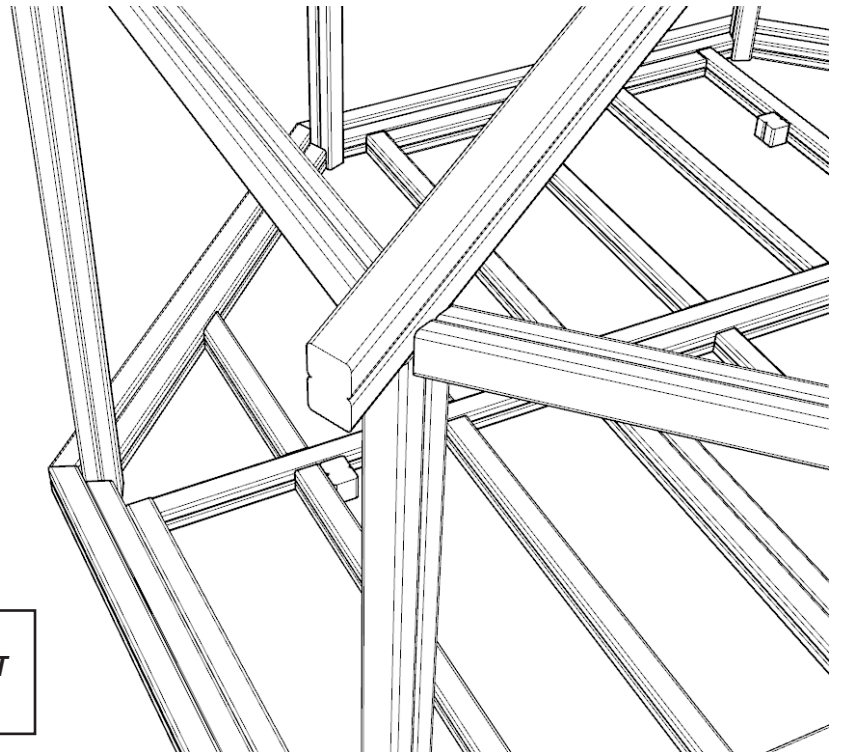
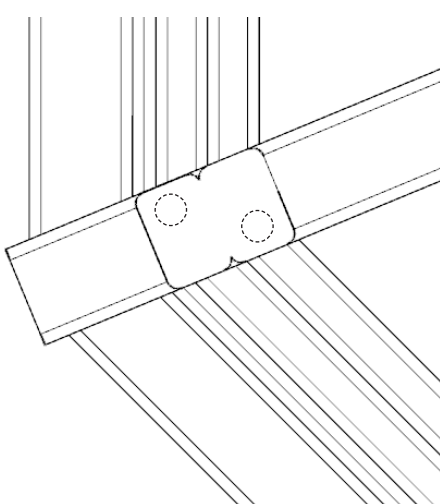
USING - 97.M8X180CSK - QUANTITY X 2 (PER RM TIMBER INTO KING POST)



**12**

**SCREW RM TIMBERS TO THE UPRIGHTS**

USING - 97.M8X180CSK - QUANTITY X 2 (PER RM TIMBER)



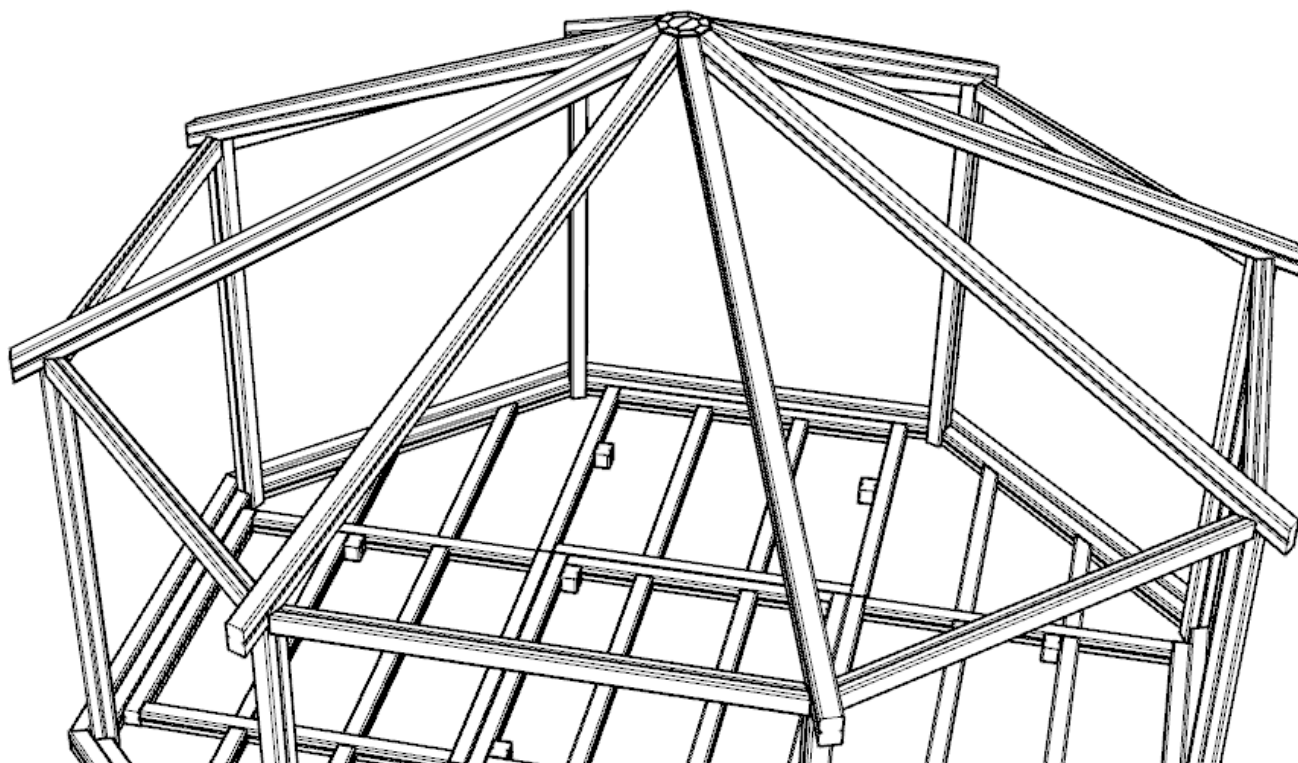
**NOTES:**

TAKE EXTRA CARE NOT TO SPLIT THE UPRIGHT TIMBERS - HOLE LOCATION(S) SHOWN ABOVE

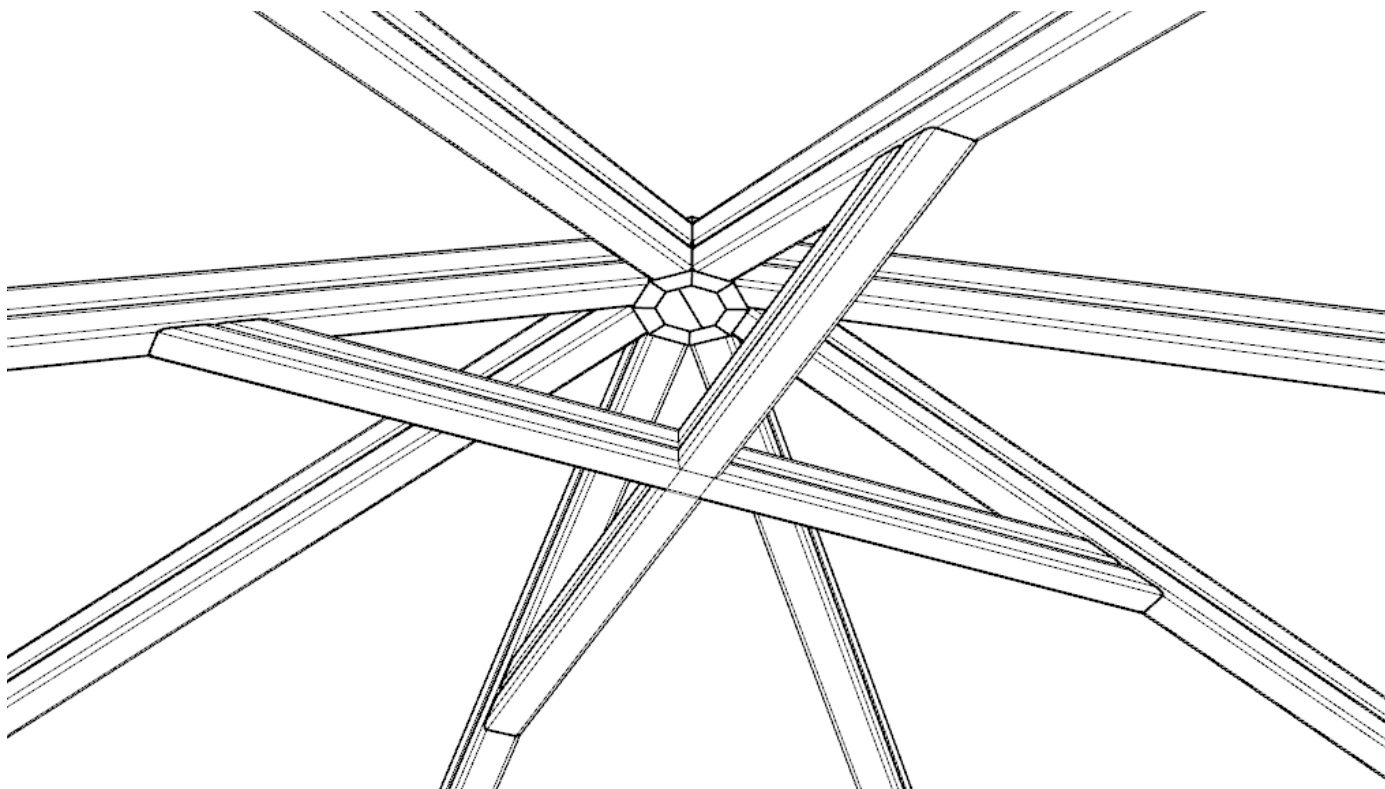
# INSTALLATION INSTRUCTIONS

---

**13** REPEAT FOR THE REMAINING RM TIMBERS  
USING - 97.M8X180CSK - QUANTITY X 32 (4 PER RM TIMBER)



**14** SCREW THE RBA-U ROOF SUPPORTS TO THE RM TIMBERS  
USING - 97.M8X120CSK - QUANTITY X 10

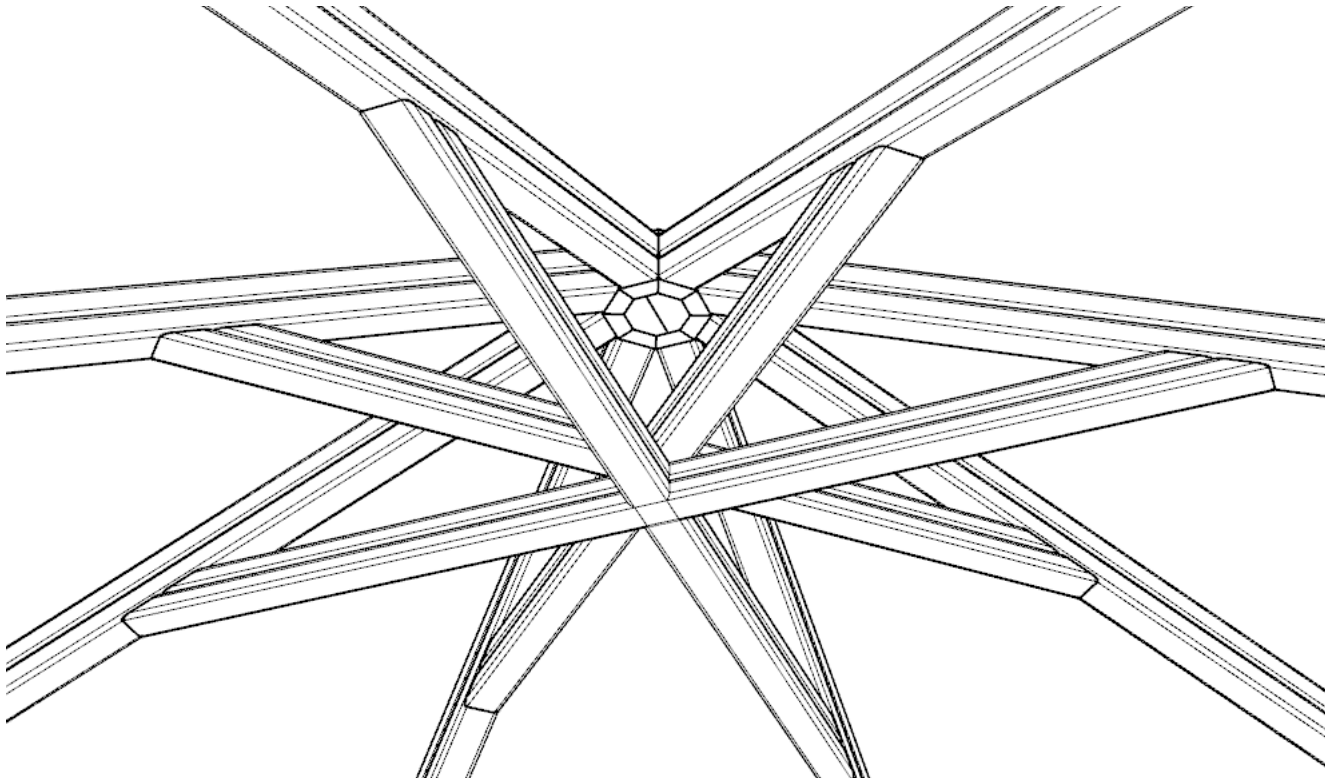


# INSTALLATION INSTRUCTIONS

**15**

**SCREW THE RBA-L ROOF SUPPORTS TO THE RM TIMBERS**

USING - 97.M8X120CSK - QUANTITY X 8 / 97.M8X180CSK - QUANTITY X 2



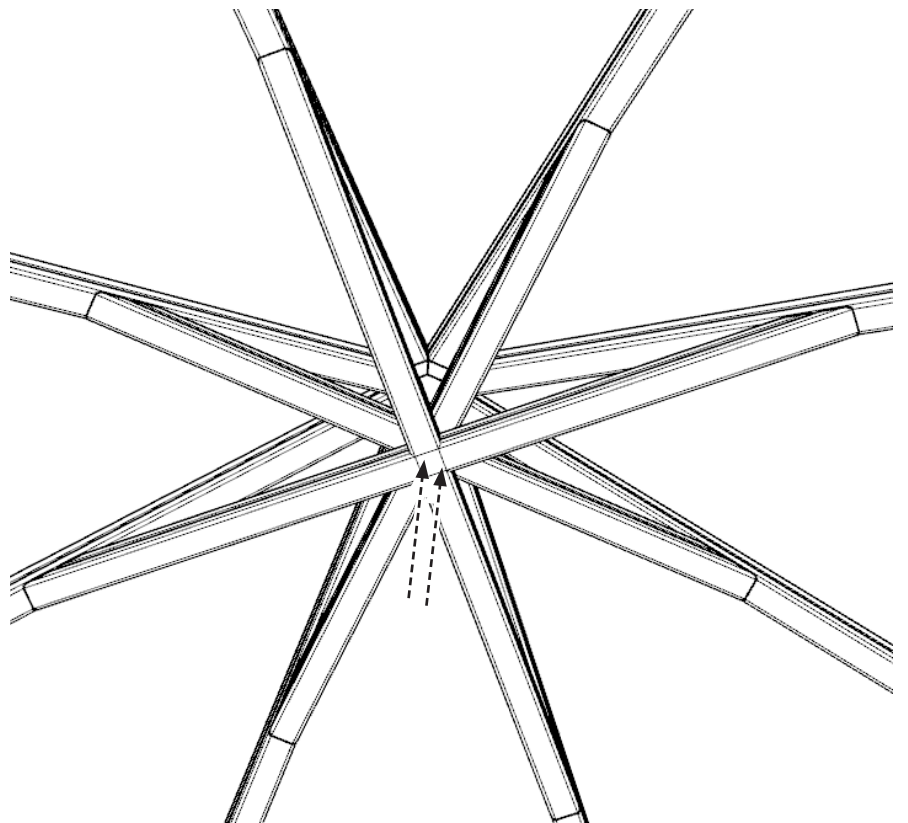
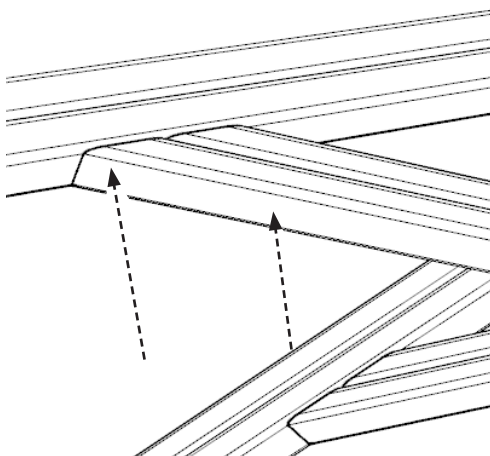
**16**

**ENSURE ALL TIMBERS ARE SCREWED INTO THE UPRIGHTS AND TOGETHER**

USING - BOTH 120 & 180 SCREWS

**NOTES:**

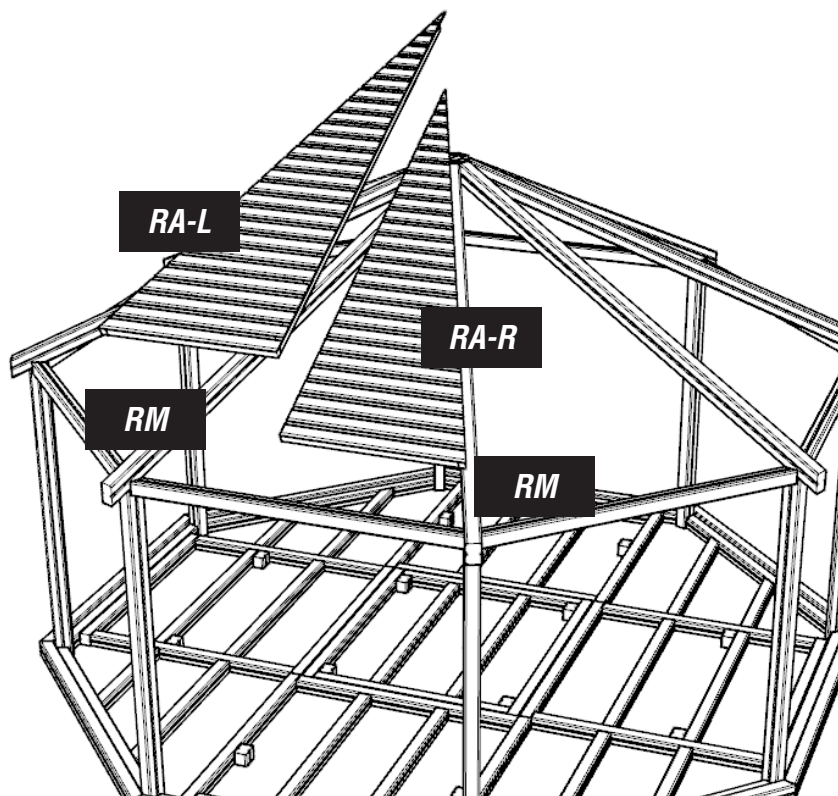
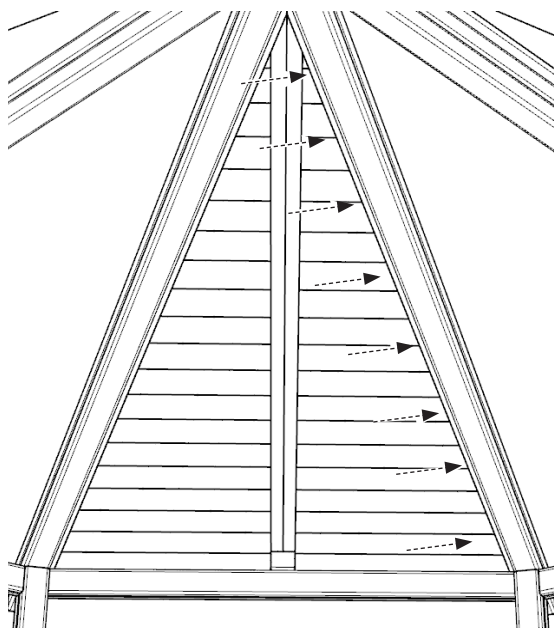
USE 180 SCREWS TO SCREW THROUGH THE LOWER & UPPER ROOF BRACE SUPPORTS



# INSTALLATION INSTRUCTIONS

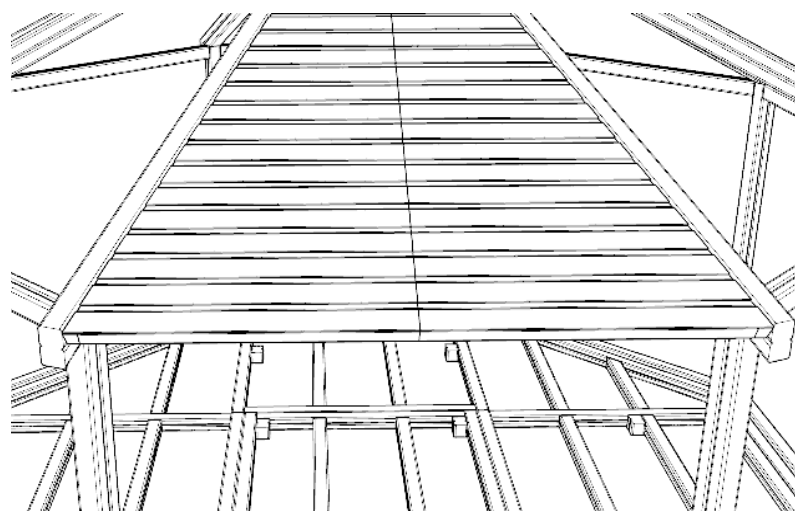
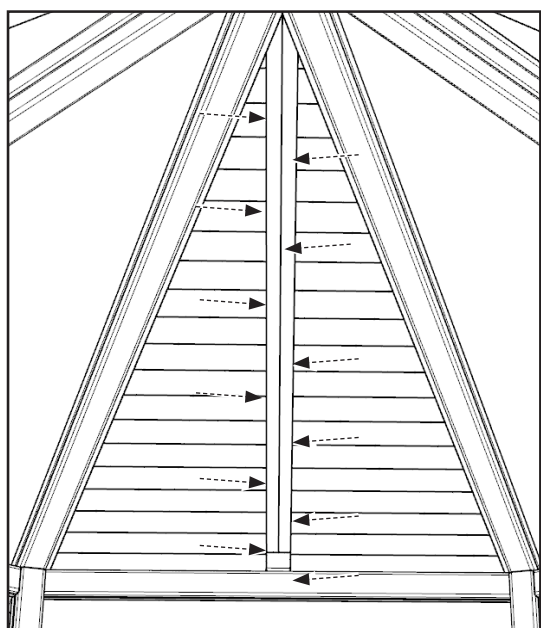
## 15 ATTACH THE RA-L / RA-R ASSEMBLIES TO THE RM TIMBERS

USING - 97.M8X80CSK - QUANTITY X 8 (INTO EACH RM TIMBER EITHER SIDE)



## 16 SECURE THE 2 SECTIONS OF ROOF (L - R) TOGETHER

USING - 97.M8X80CSK - QUANTITY X 12 MIDDLE SECTION

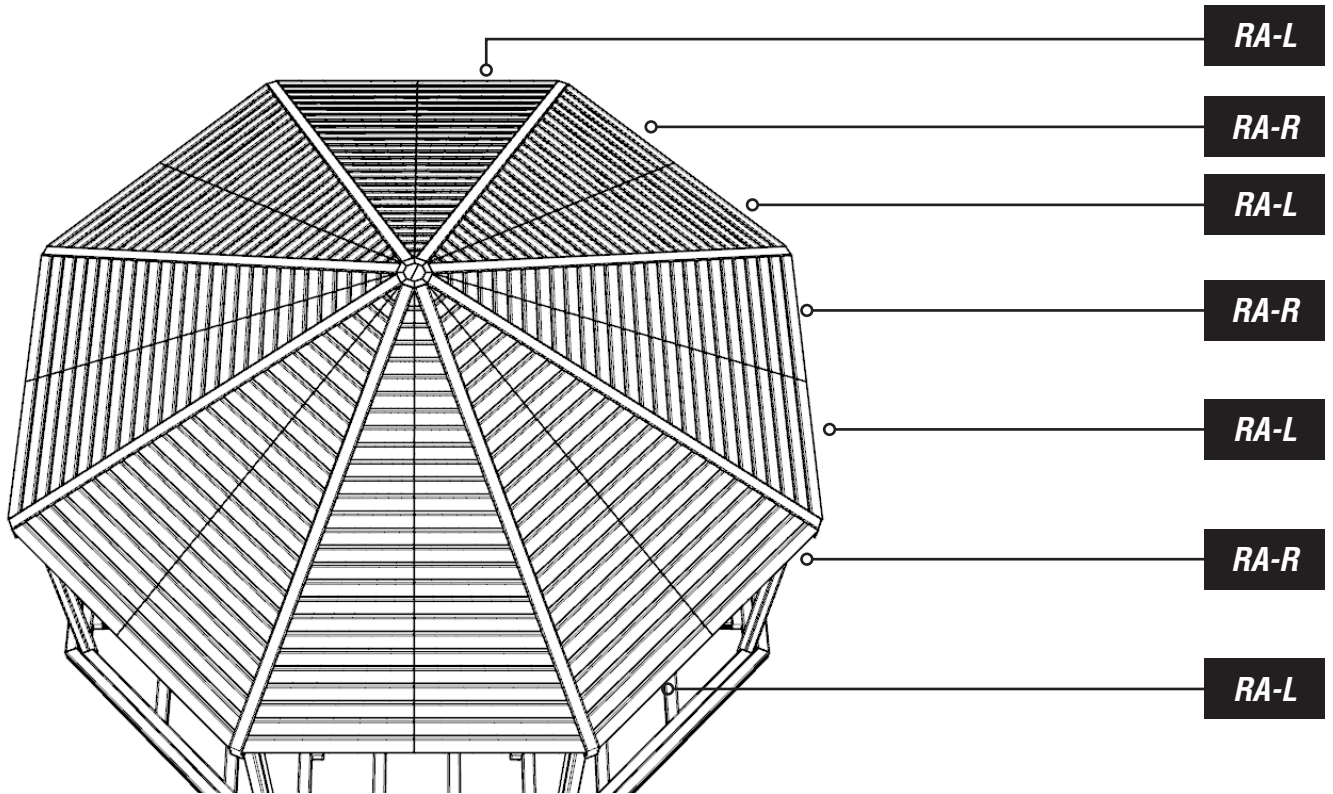


# INSTALLATION INSTRUCTIONS

**17**

**REPEAT FOR THE REMAINING ROOF ASSEMBLIES**

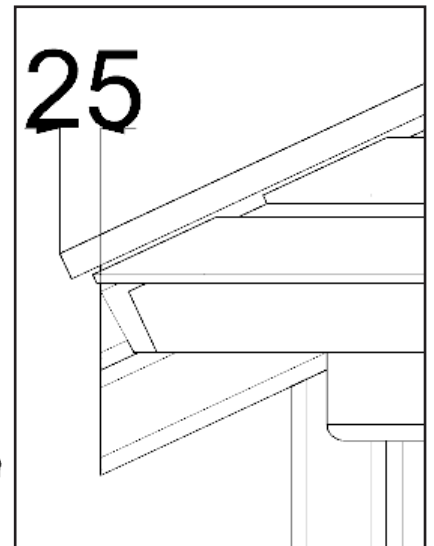
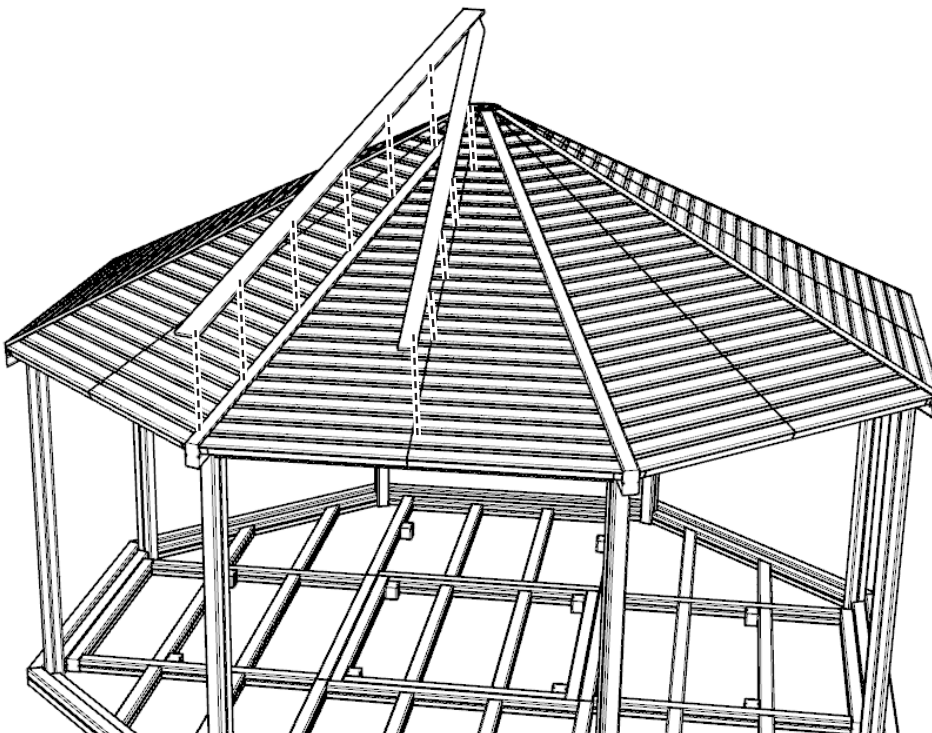
USING - 97.M8X80CSK - QUANTITY X 28 PER ROOF PANEL



**18**

**ATTACH THE ROOF TRIM TIMBERS**

USING - 97.M8X80CSK



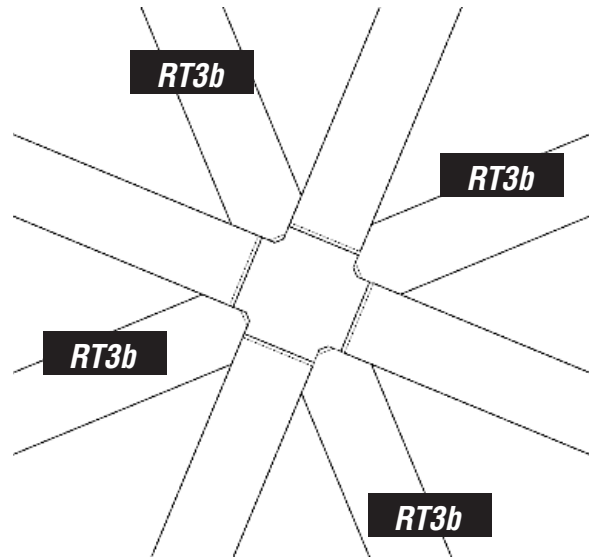
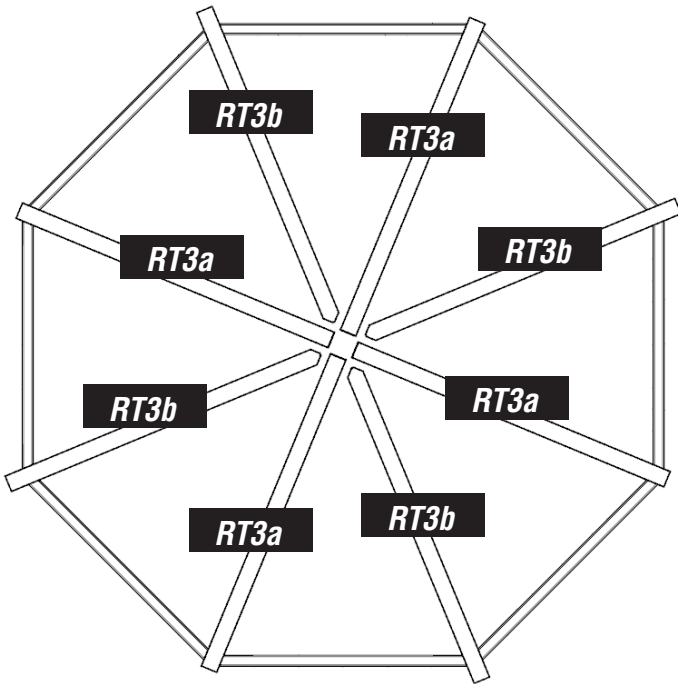


# INSTALLATION INSTRUCTIONS

**19**

**REPEAT FOR THE REMAINING ROOF ASSEMBLIES**

USING - 97.M8X80CSK - QUANTITY X 6 TIMBER



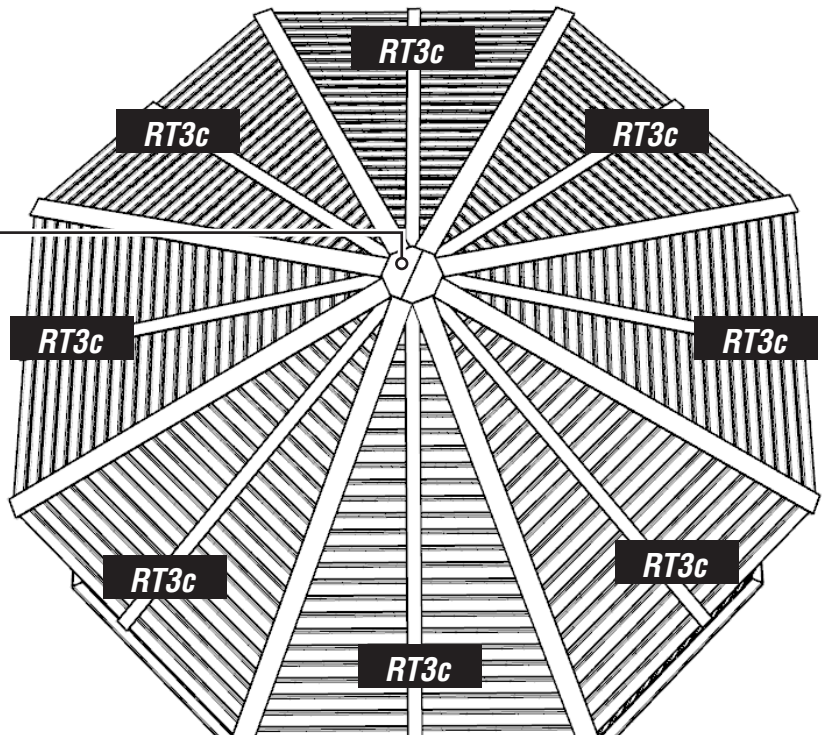
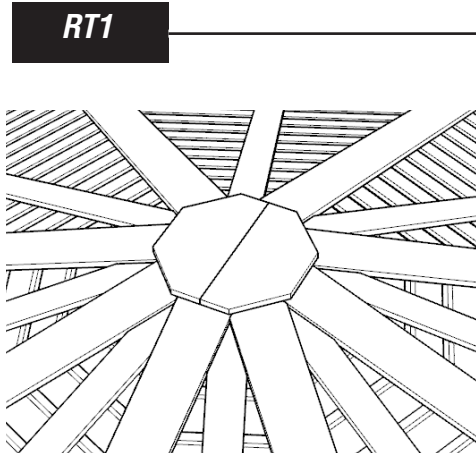
**NOTES:**

RT3b HAS A 'ANGLE CUT TOP'

**20**

**ATTACH THE ROOF TRIM TIMBERS RT3c**

USING - 97.M8X80CSK - QUANTITY X 6 TIMBER (4 FOR THE ROOF CAP)

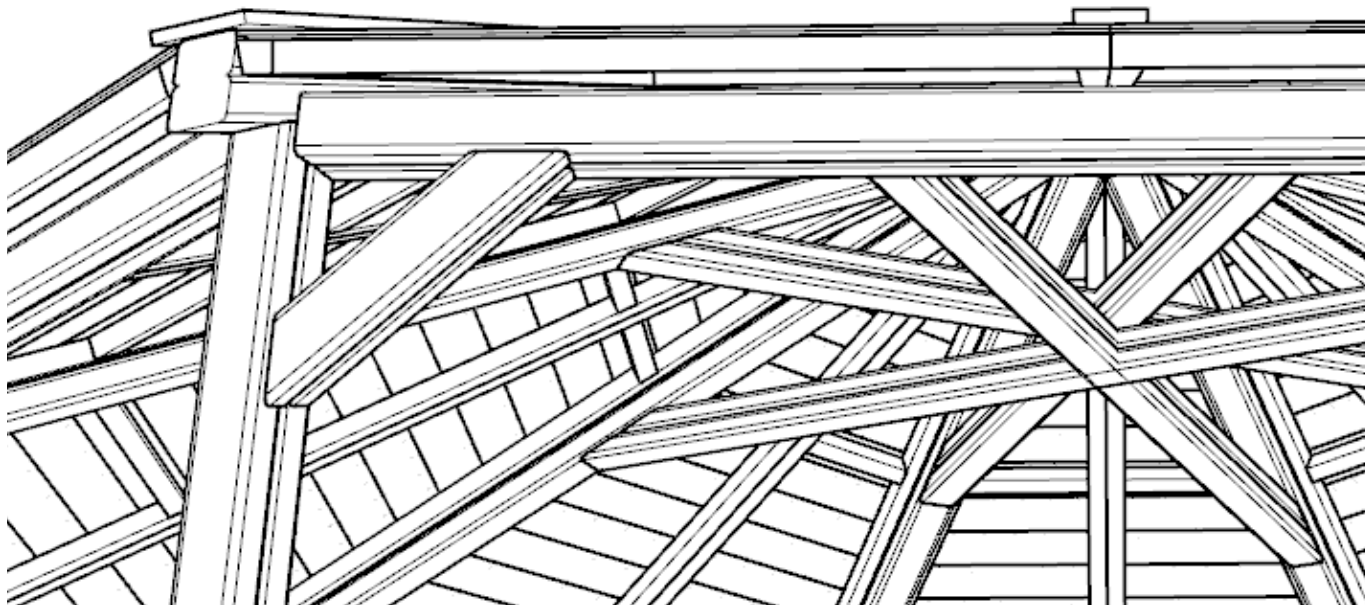


# INSTALLATION INSTRUCTIONS

**21**

**ATTACH ROOF BRACES - LEFT / RIGHT**

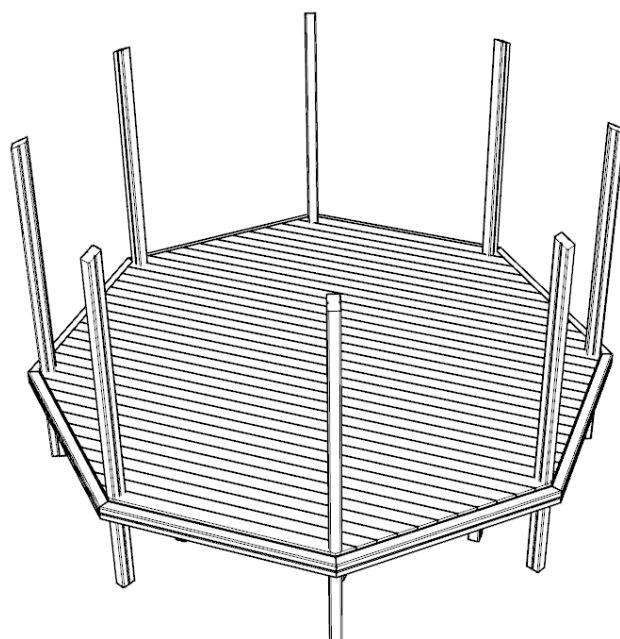
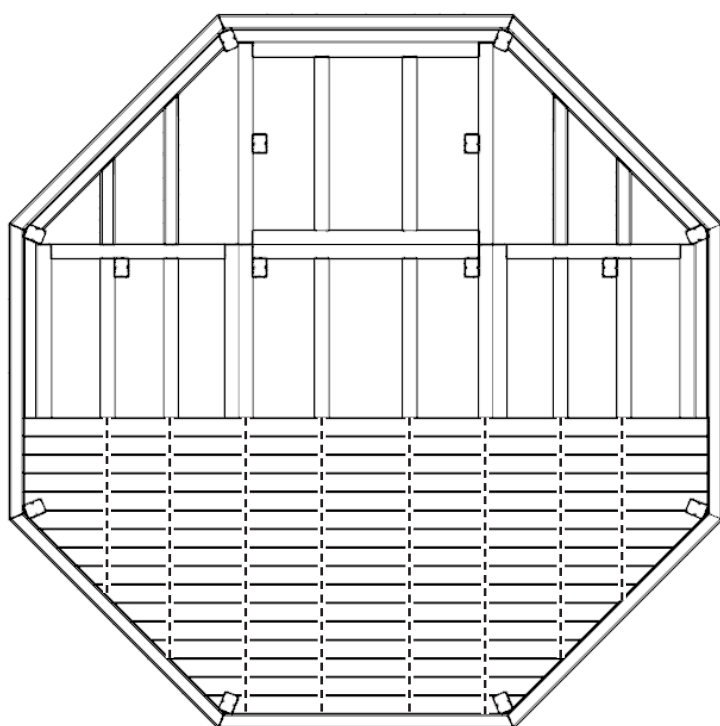
USING - 97.M8X80GSK - QUANTITY X 4 PER TIMBER



**22**

**INSTALL DECKING AS SHOWN BELOW**

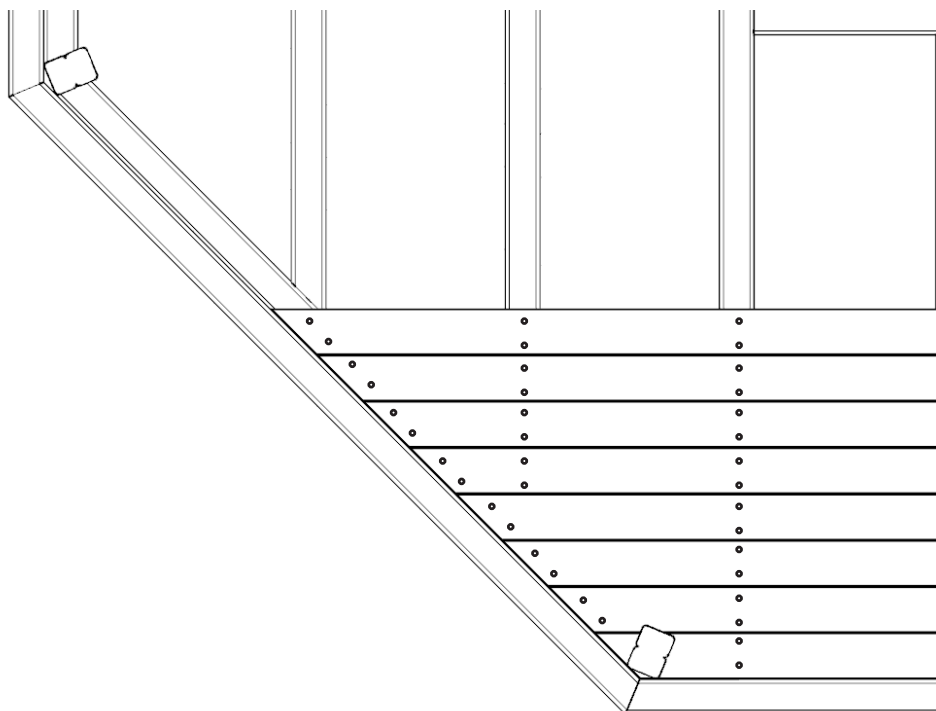
USING - 97.D4.5X60 (DECK SCREW) - APPROX 2MM BETWEEN EACH SLAT



# INSTALLATION INSTRUCTIONS

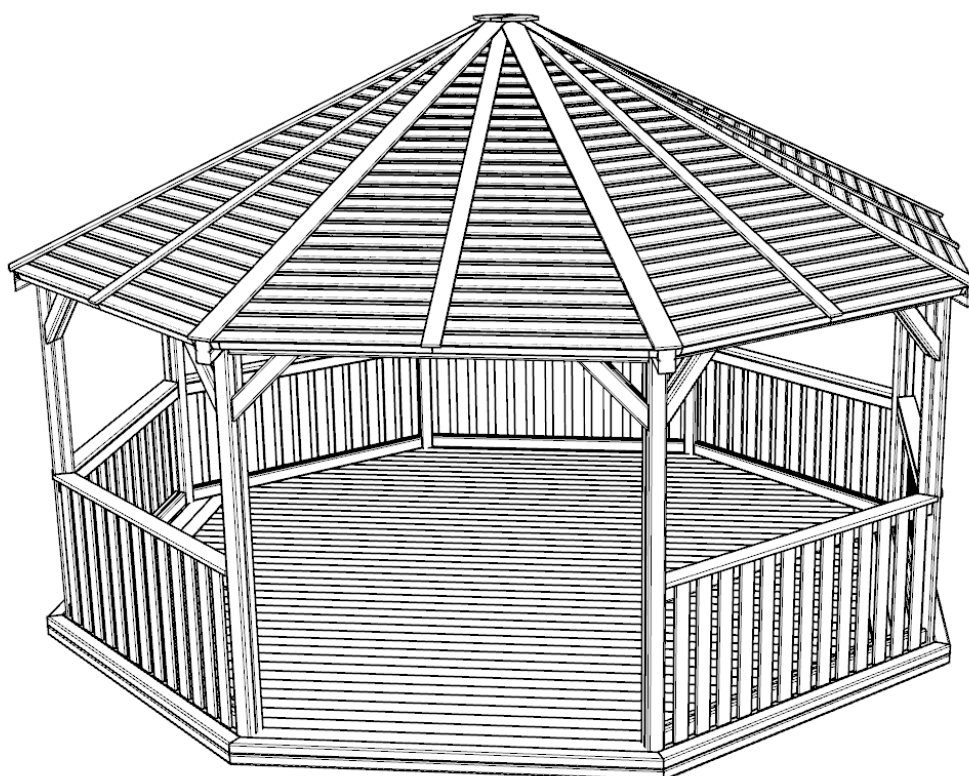
**23**

**ENSURE SCREWS ARE POSITIONED AS HIGHLIGHTED BELOW**  
**2 X DECK SCREWS INTO EACH SUPPORT BELOW (APPROX 20 SCREWS PER DECK BOARD)**



**24**

**INSTALL THE 7 X SIDE ASSEMBLIES**  
**USING - 97.M8X80CSK - QUANTITY X 4 PER TIMBER**

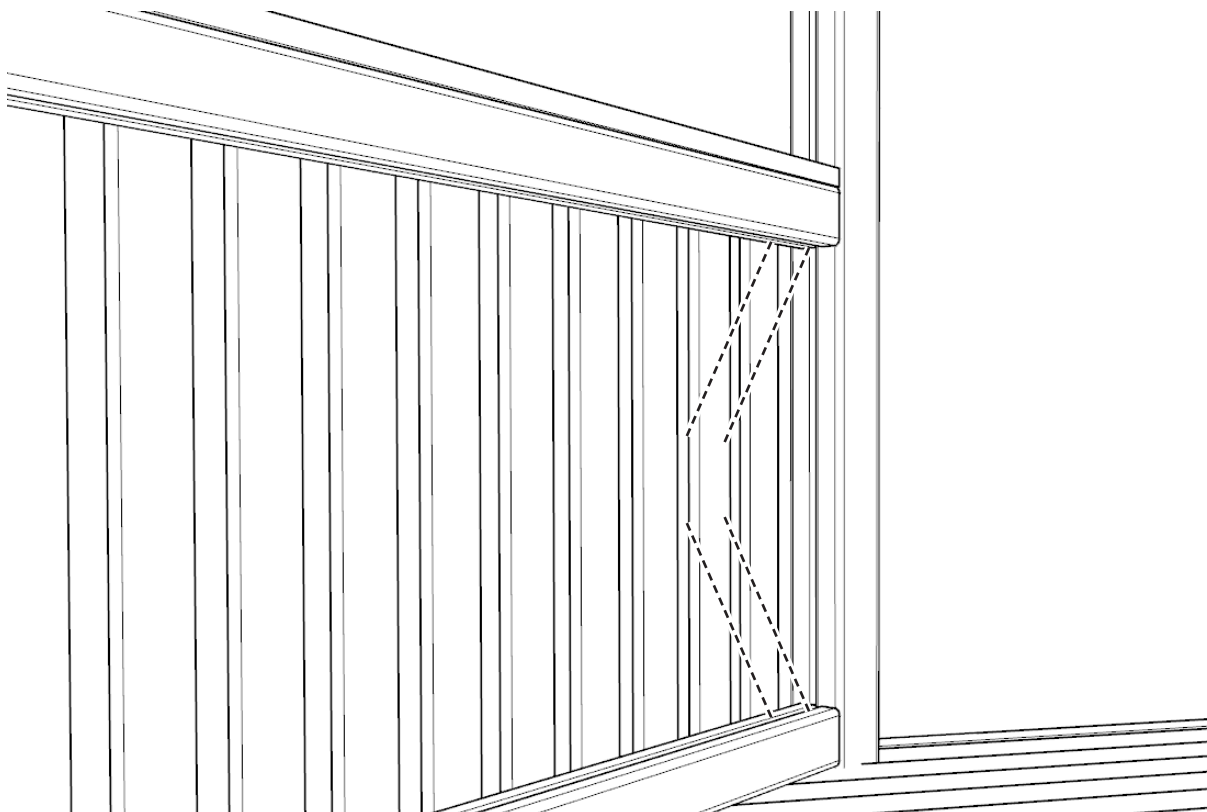


# INSTALLATION INSTRUCTIONS

**25**

**ENSURE TIMBERS ARE PRE-DRILLED AND COUNTERSUNK**

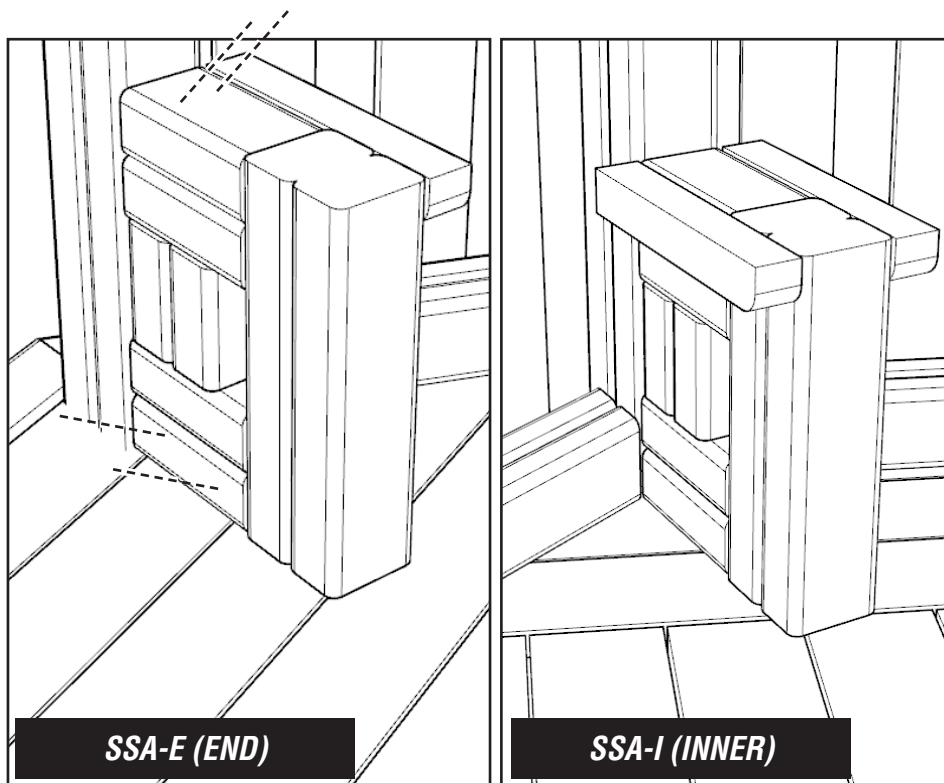
**2 X SCREWS TOP / BOTTOM EACH SIDE**



**26**

**INSTALL SEAT SUPPORTS TO THE UPRIGHT TIMBERS**

**USING - 97.M8X120CSK - QUANTITY X 4 PER SUPPORT (2 SCREWS FOR THE 'NO POST' SUPPORTS)**



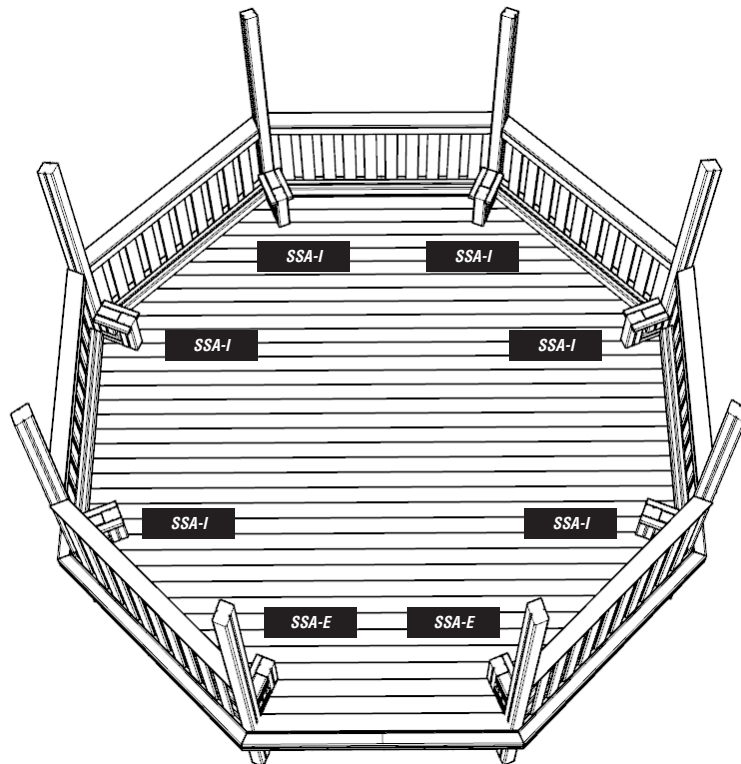
**SSA-E (END)**

**SSA-I (INNER)**

# INSTALLATION INSTRUCTIONS

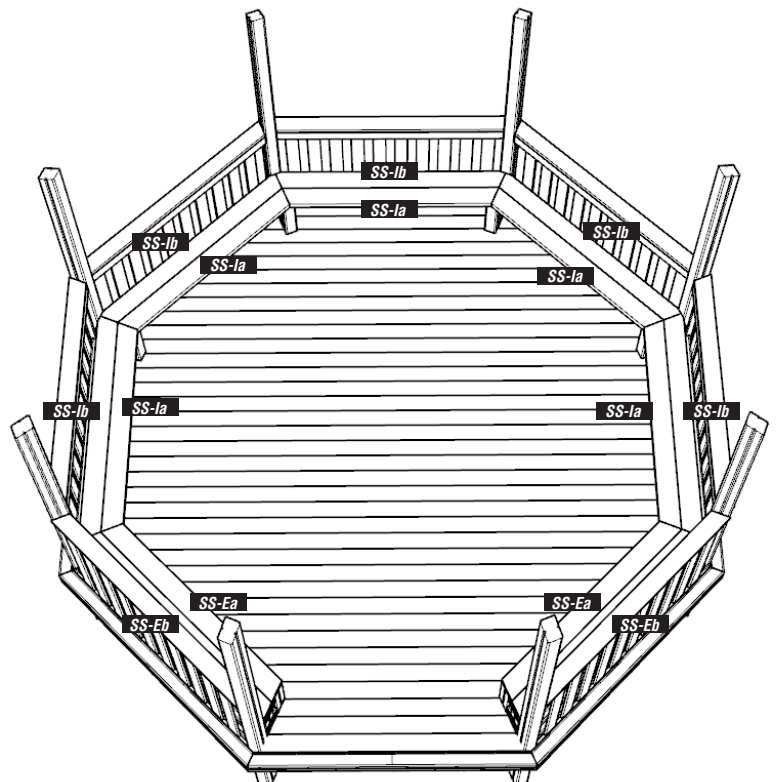
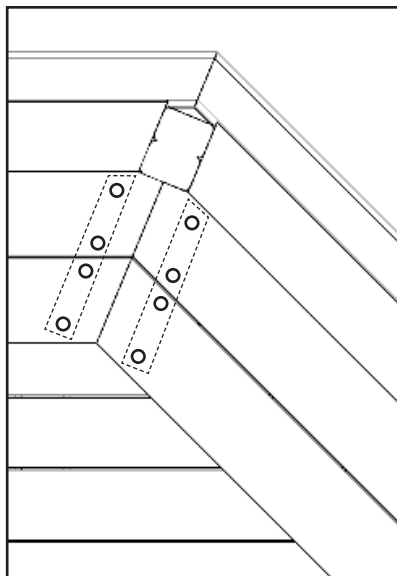
**27**

**ENSURE TIMBERS ARE PRE-DRILLED AND COUNTERSUNK**  
**2 X SCREWS TOP / BOTTOM EACH SIDE**



**28**

**ATTACH SEAT SECTIONS TO THE SEAT SUPPORTS**  
**USING - 97.M8X80CSK - QUANTITY X 4 PER SLAT**

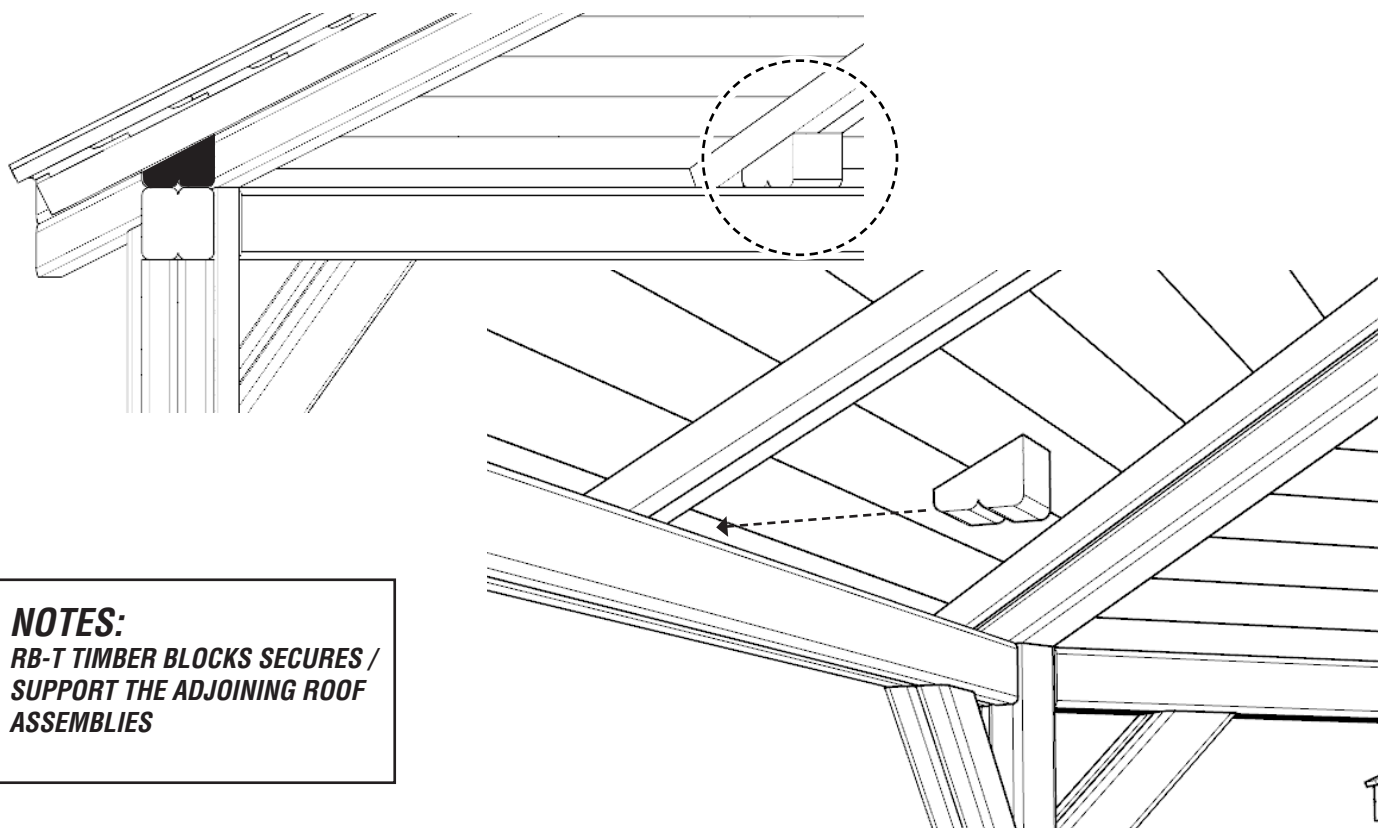


# INSTALLATION INSTRUCTIONS

**29**

## FURTHER SUPPORT THE ROOF USING RB-T TIMBERS

USING - 97.M8X80GSK - QUANTITY X 4 PER 'WEDGE'



### NOTES:

RB-T TIMBER BLOCKS SECURES /  
SUPPORT THE ADJOINING ROOF  
ASSEMBLIES

**30**

## INSTALLATION COMPLETE

