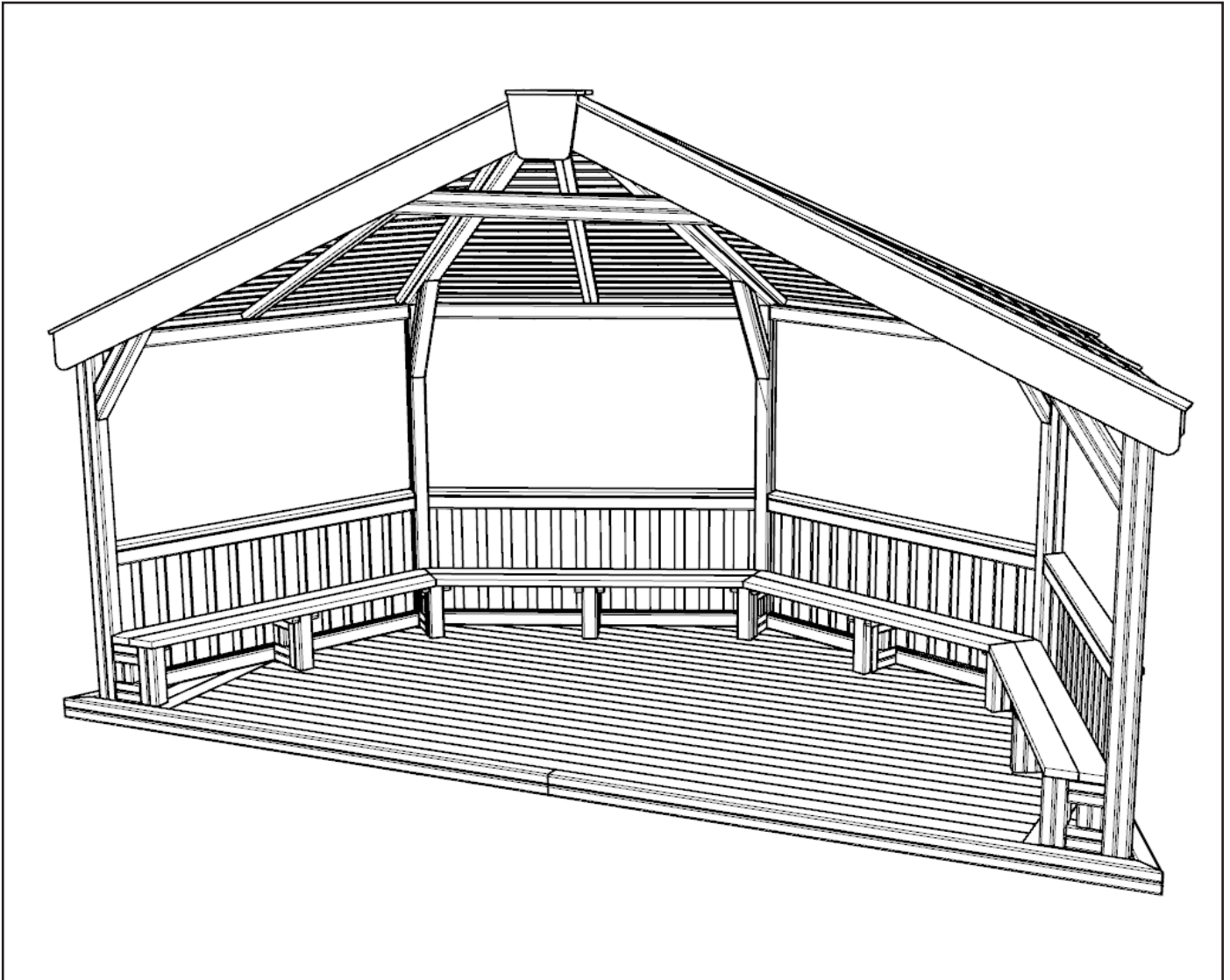


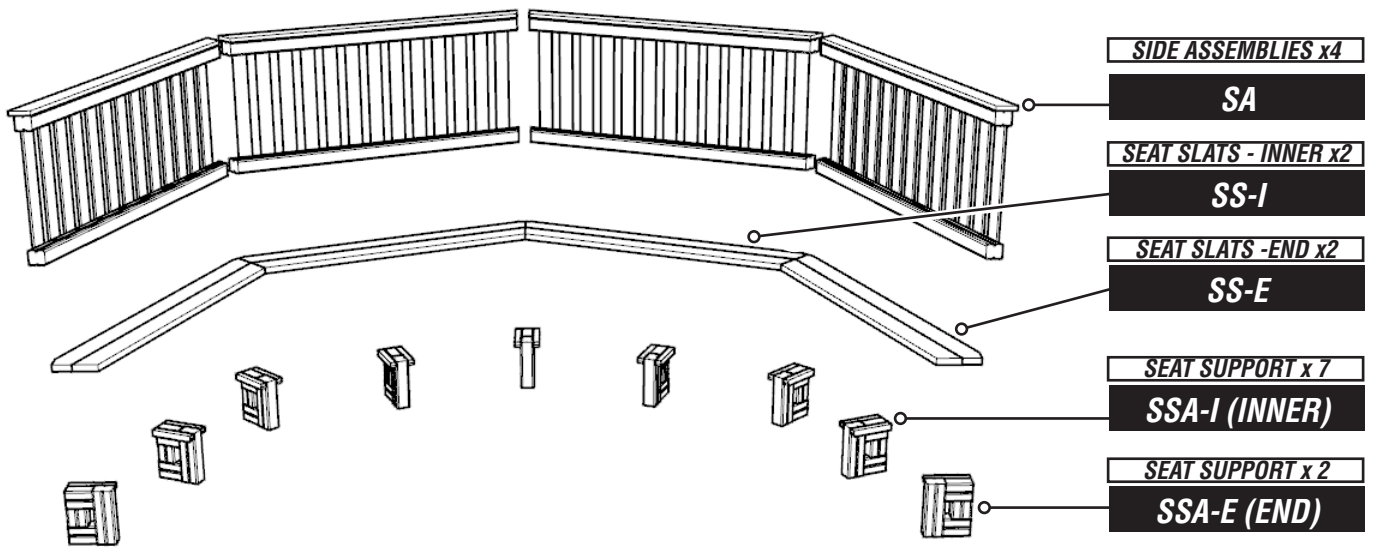
HS113 - OCTAVIA HALF (6M)

Installation Instructions

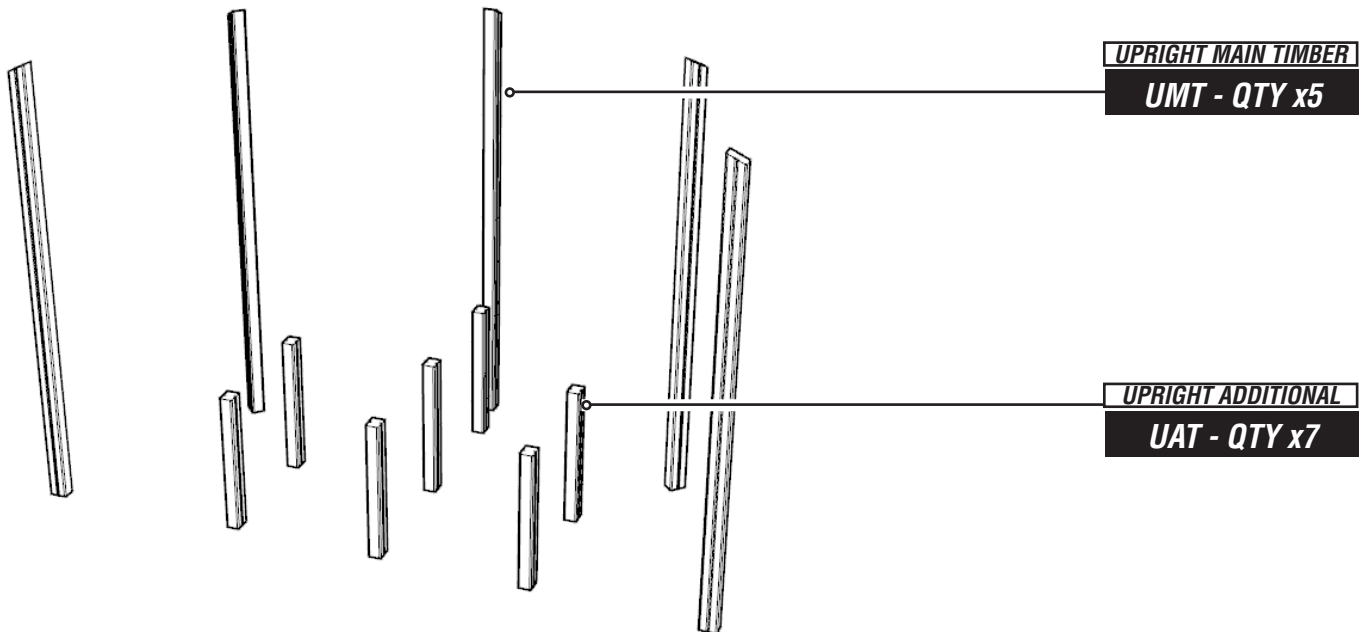
**creative
play**



PARTS REQUIRED

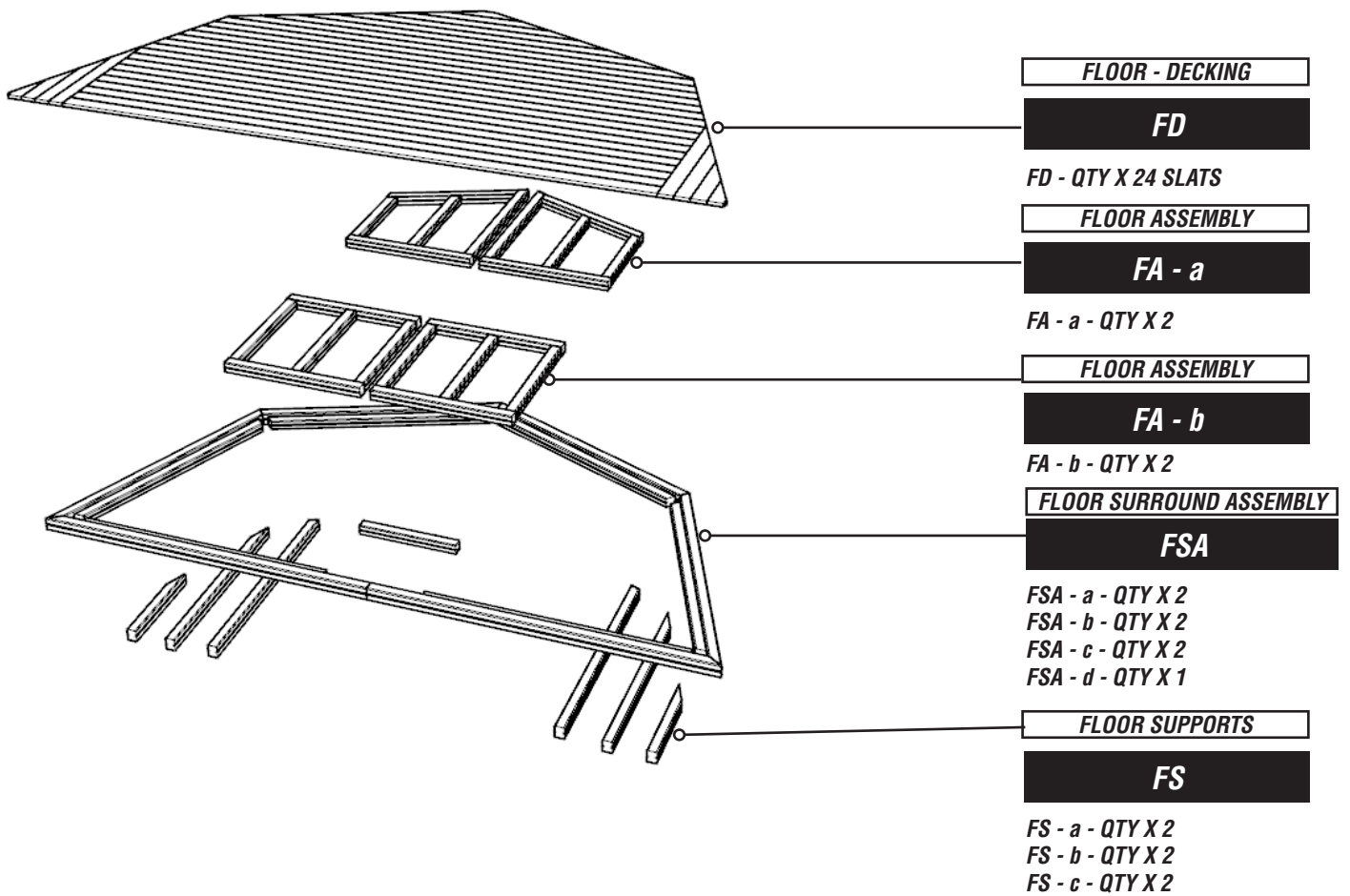


SEATING & SIDES PARTS / ASSEMBLIES

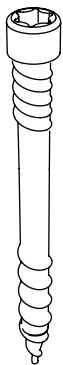


UPRIGHT TIMBERS

PARTS REQUIRED

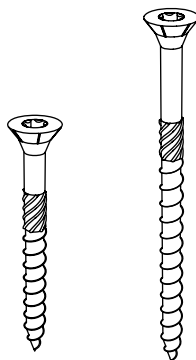


FLOOR PARTS / ASSEMBLIES



x624

97.D4.5X60 (DECK SCREW)

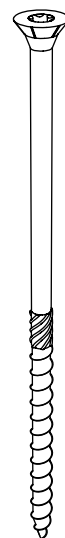


x314

97.M8X80CSK

x86

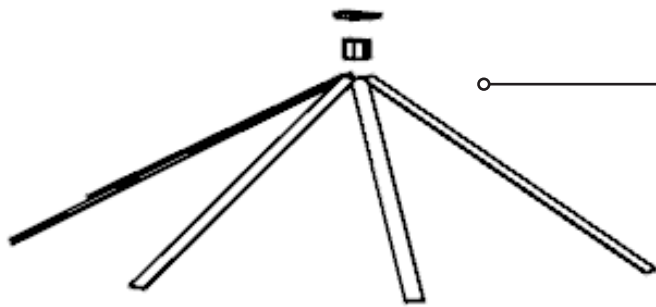
97.M8X120CSK



x92

97.M8X180CSK

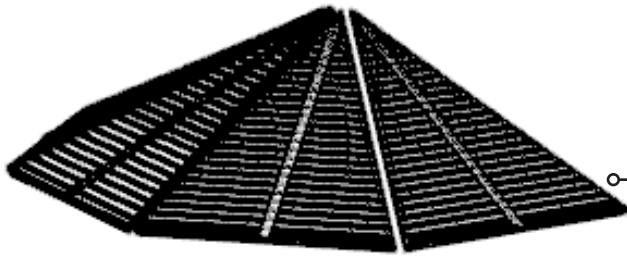
PARTS REQUIRED



ROOF TRIM / KING 'POST'

RT

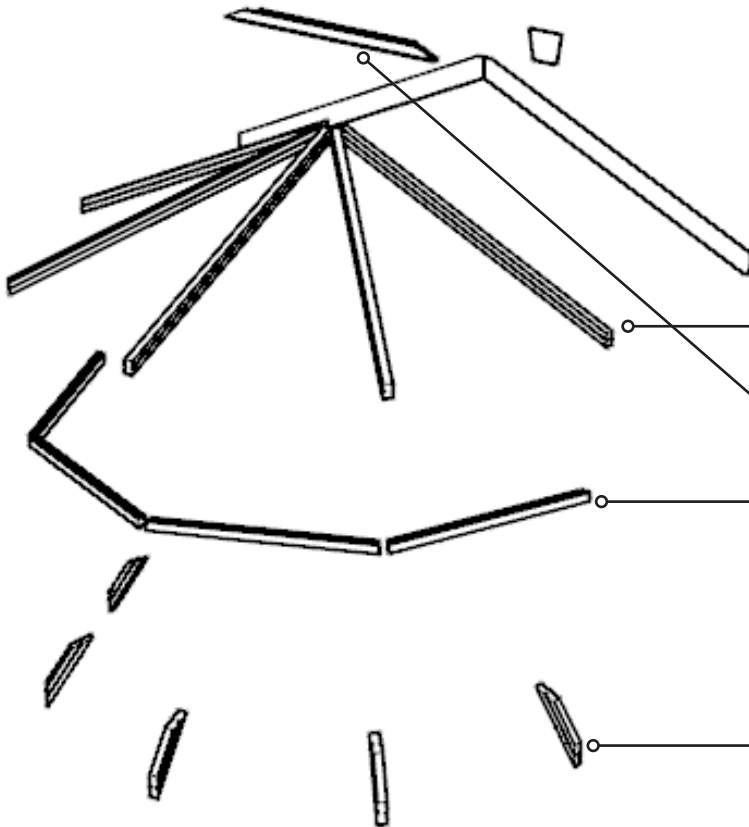
- RT1 - QTY X 1
- RT2 - QTY X 1
- RT3a - QTY X 3
- RT3b - QTY X 2
- RT3c - QTY X 4
- RT4 - QTY X 2
- RT5 - QTY X 1



ROOF ASSEMBLIES

RA

- RA - QTY X 4



ROOF MAIN SUPPORTS

RM

- RM - QTY X 5

ROOF SUPPORTS

RS

- RS - a - QTY X 4
- RS - b - QTY X 1

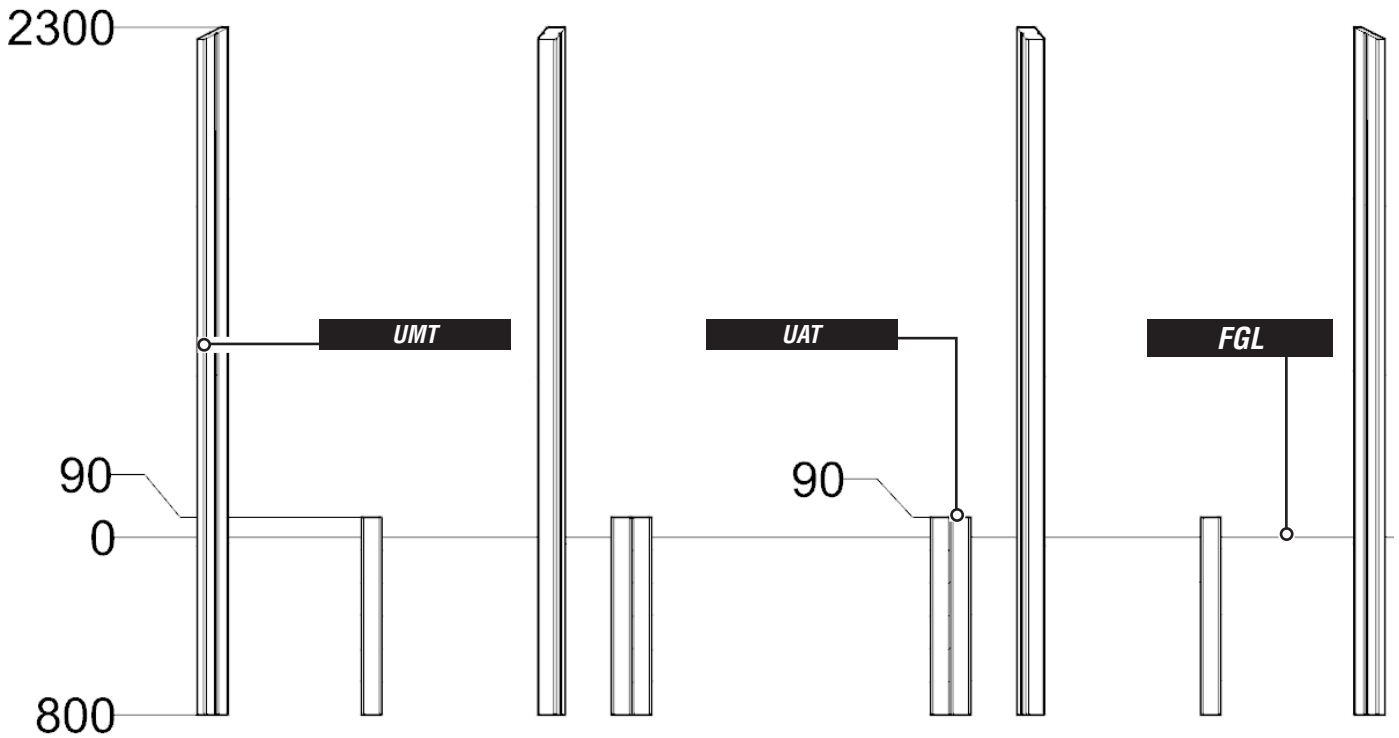
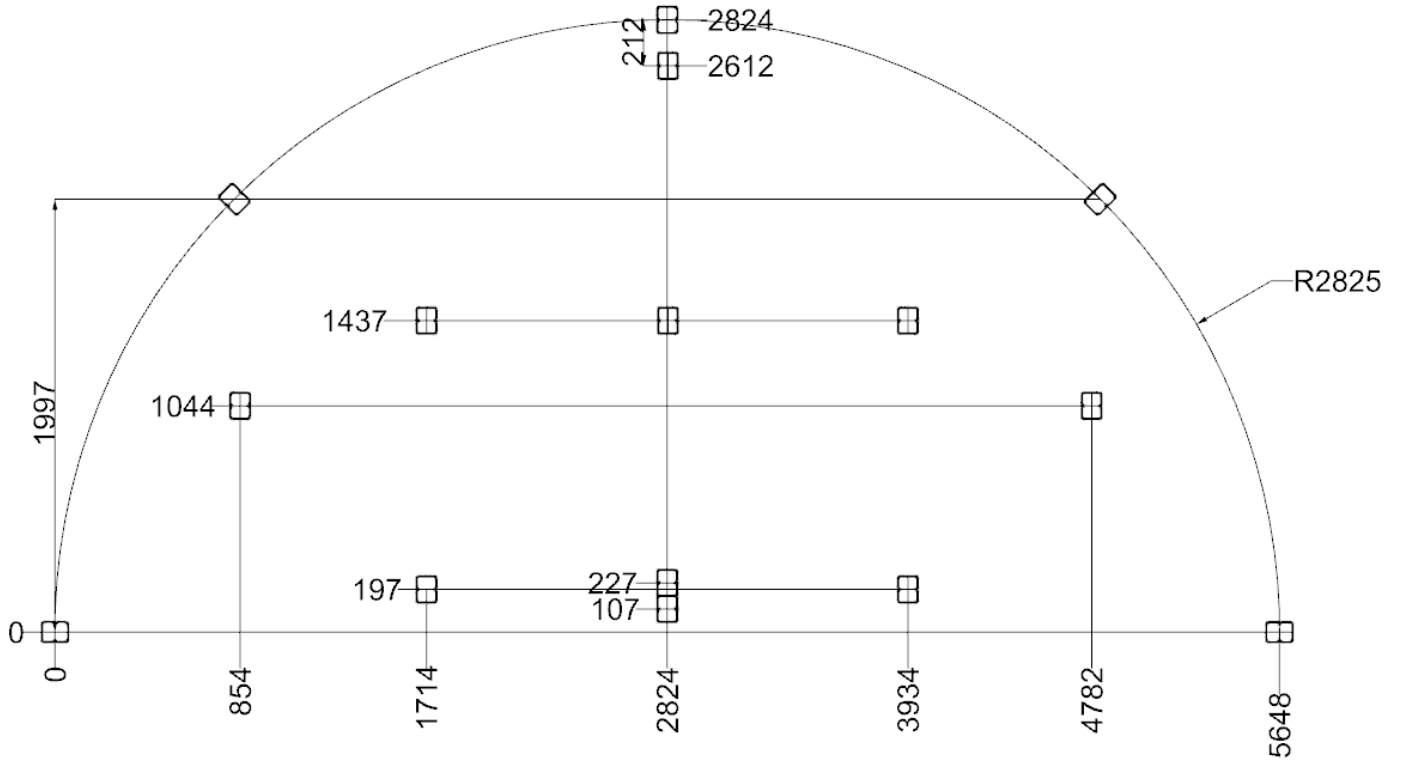
ROOF BRACES

RB

- RB - QTY X 5

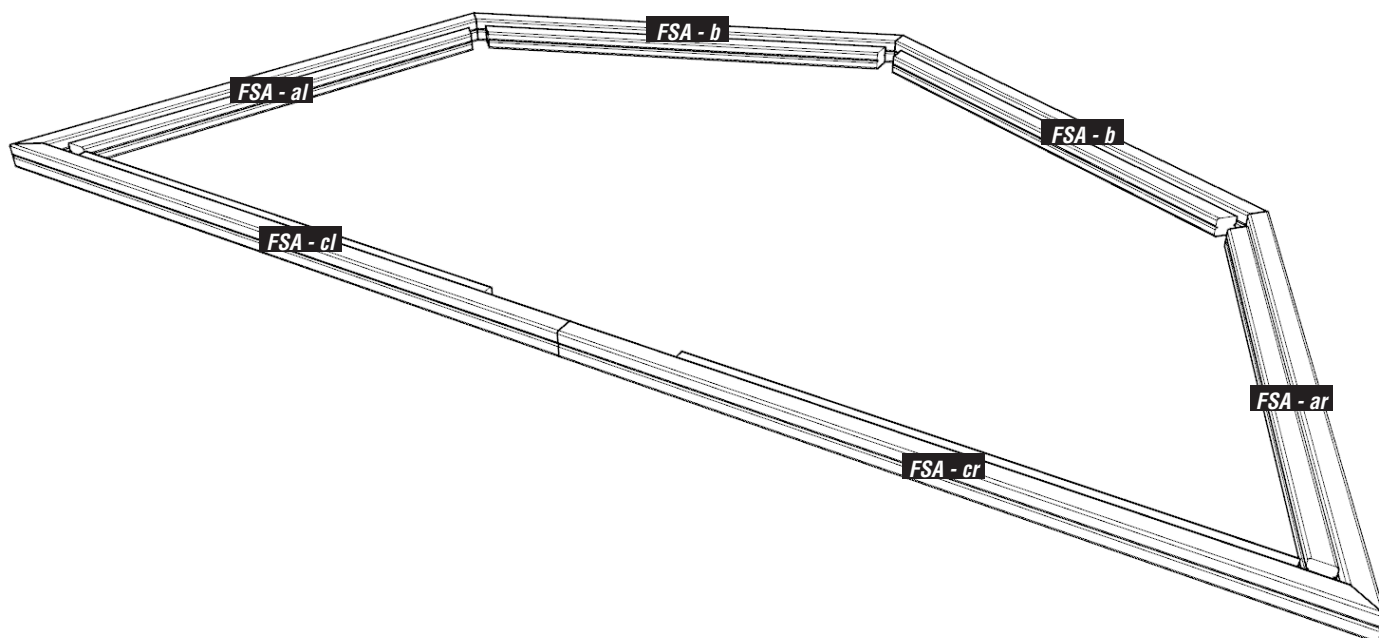
FOUNDATION DETAILS

NOTES:
POST HOLES 400MM x 400MM

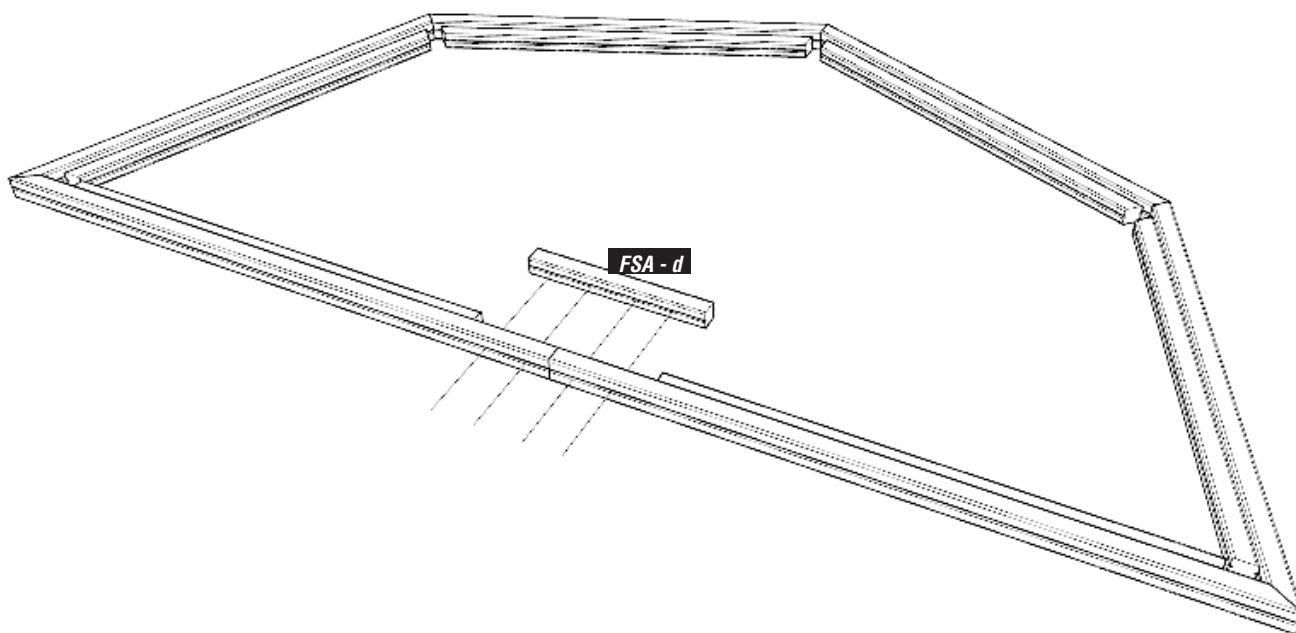


INSTALLATION INSTRUCTIONS

- 1** **POSITION FSA ASSEMBLIES**
POSITION THESE ON THE GROUND 120MM FACE ON THE OUTSIDE



- 2** **ATTACH FSA - d TIMBER TO REINFORCE FSA TIMBERS SHOWN**
USING 4X M8X180MM WOOD SCREWS, ENSURE SCREWS ARE INSERTED FROM INSIDE FRAMEWORK

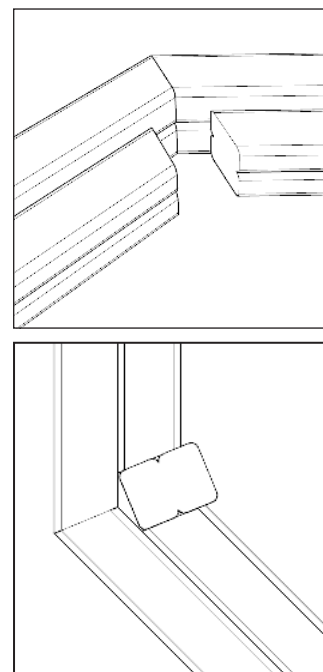
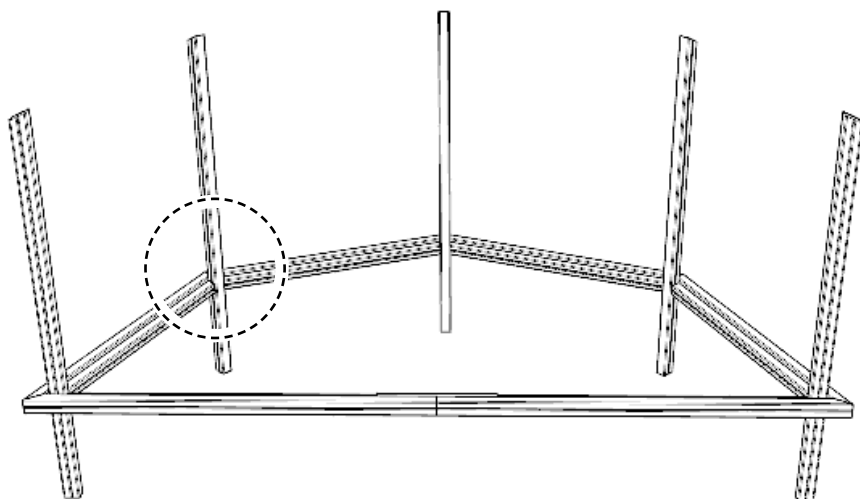


INSTALLATION INSTRUCTIONS

3

INSTALL THE UMT TIMBERS

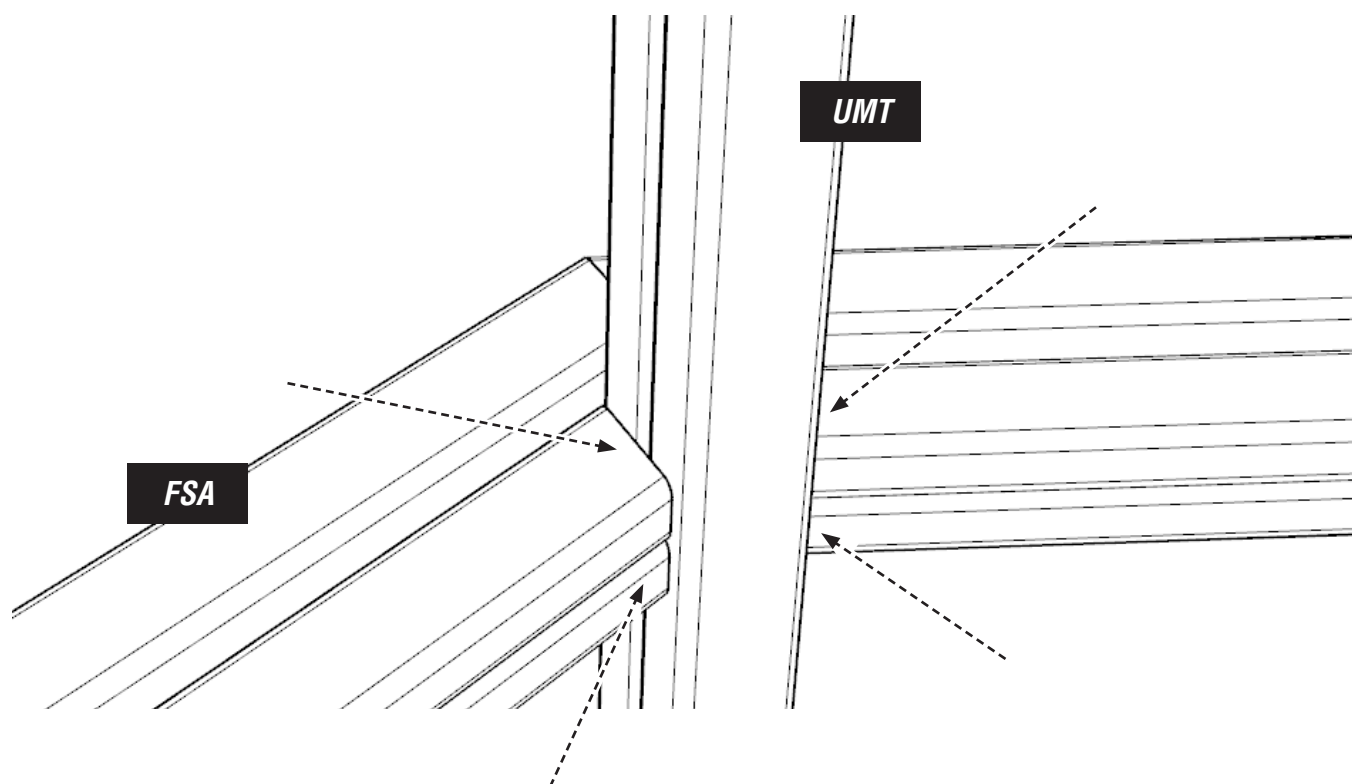
THE 90X90 TIMBER ON THE FSA ASSEMBLIES HELP POSITION THESE



4

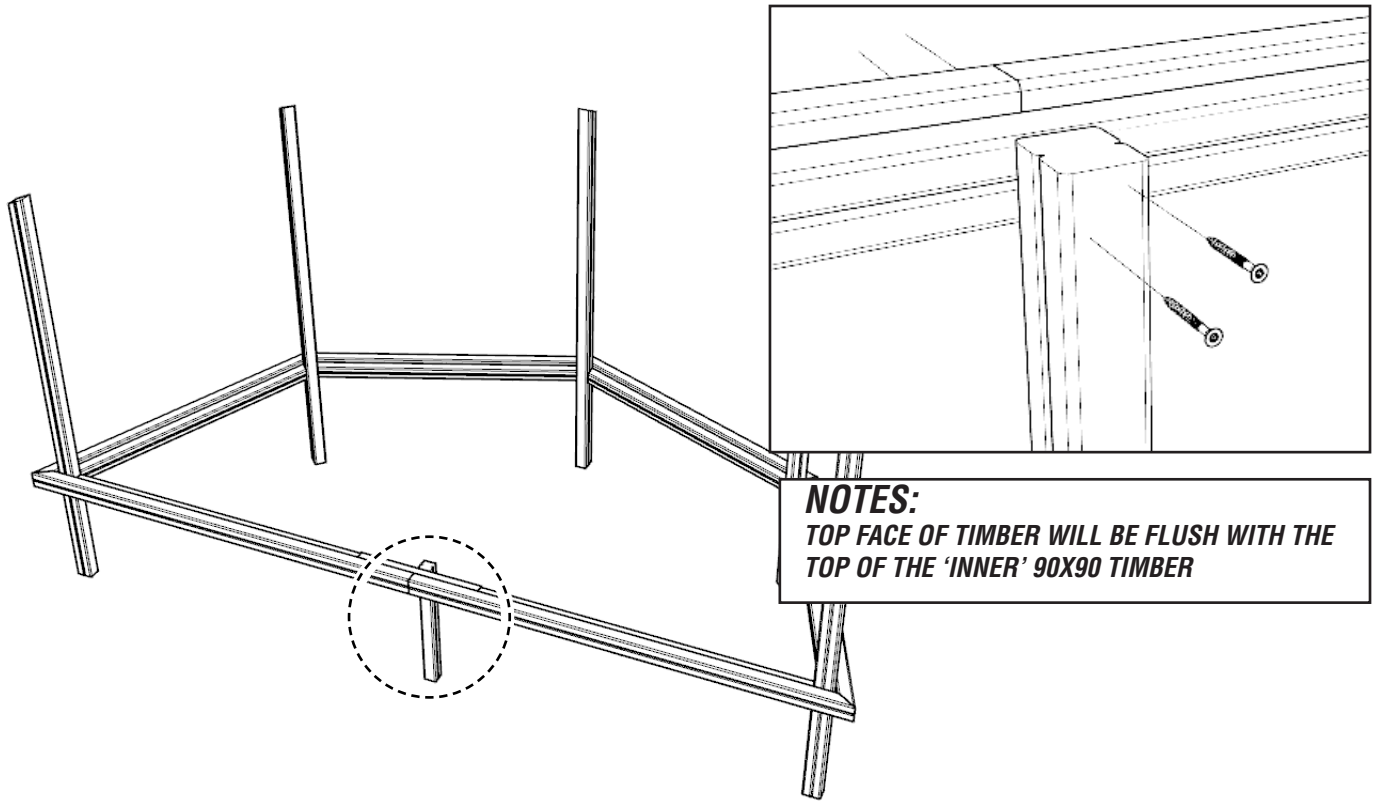
SCREW THE FAS ASSMBLIES TO THE UMT TIMBERS

USING - 97.M8X120CSK - QUANTITY X 20

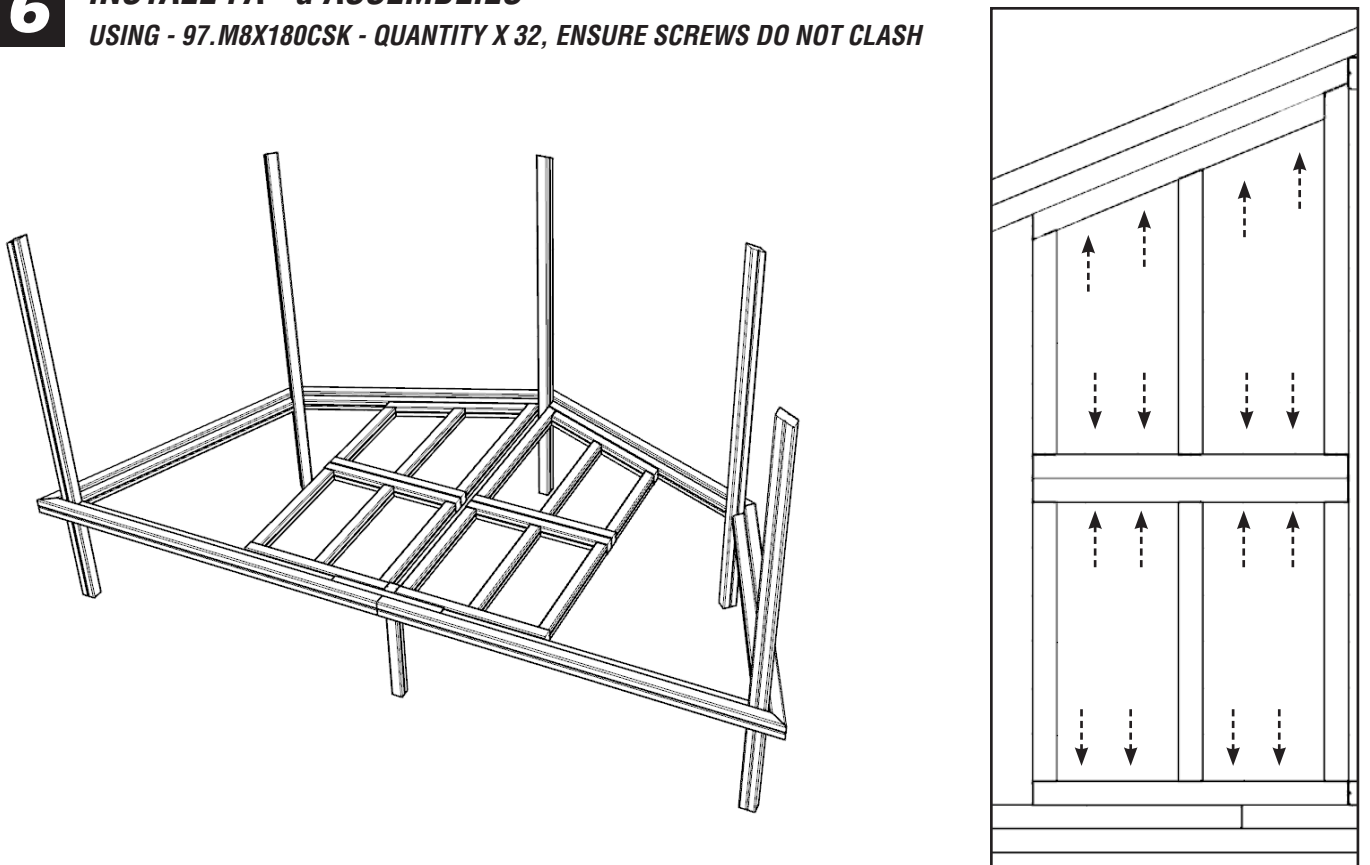


INSTALLATION INSTRUCTIONS

5 INSTALL ONE UAT TIMBERS IN CENTRE OF FSA - d TIMBER USING 2X M8X180MM WOOD SCREWS

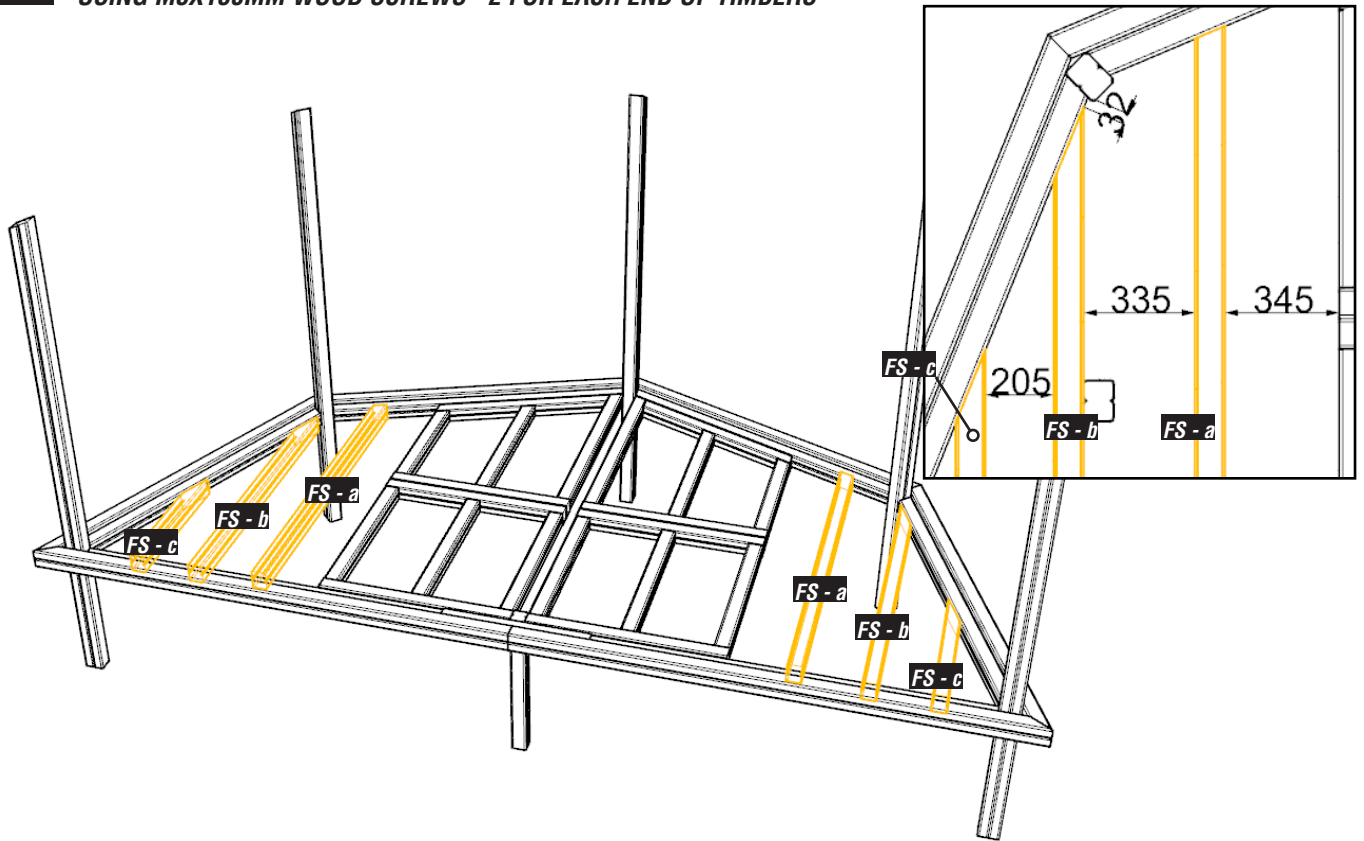


6 INSTALL FA - a ASSEMBLIES USING - 97.M8X180CSK - QUANTITY X 32, ENSURE SCREWS DO NOT CLASH

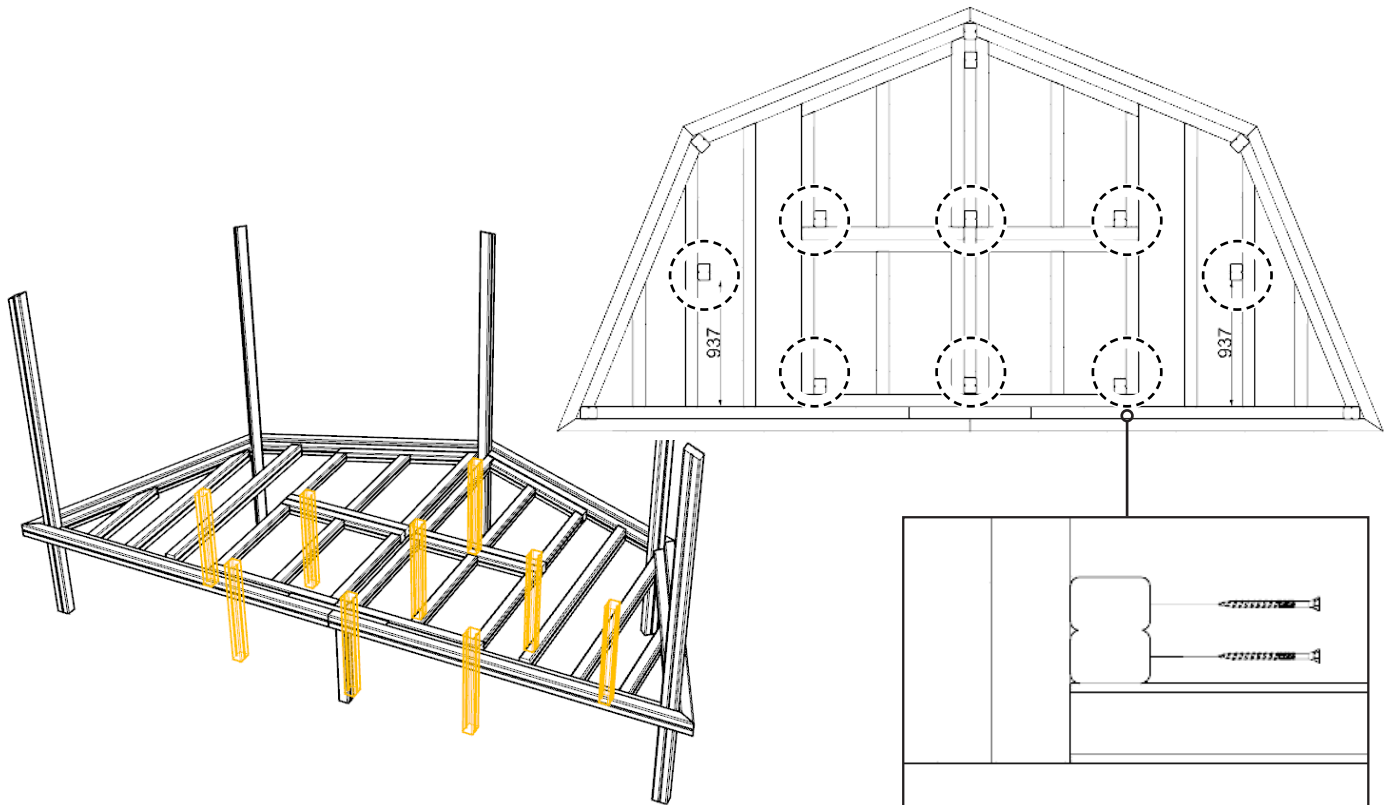


INSTALLATION INSTRUCTIONS

7 **INSTALL FLOOR SUPPORTS FS - a, b & c**
USING M8X180MM WOOD SCREWS - 2 FOR EACH END OF TIMBERS



8 **ATTACH ADDITIONAL SUPPORTS (UAT)**
USING 2 X M8X180MM PER TIMBER - SCREWING INTO THE FA ASSEMBLY



INSTALLATION INSTRUCTIONS

9

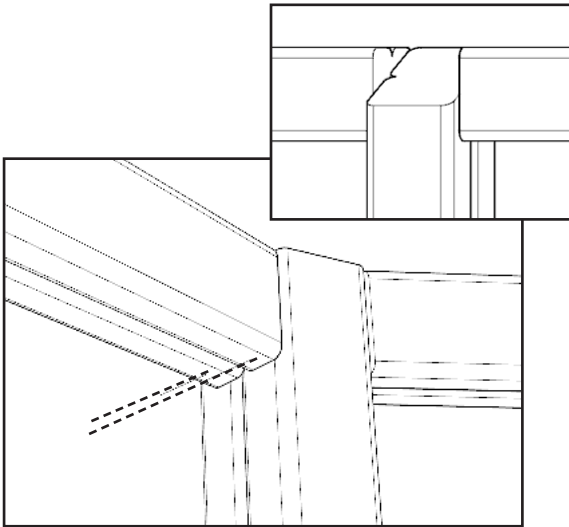
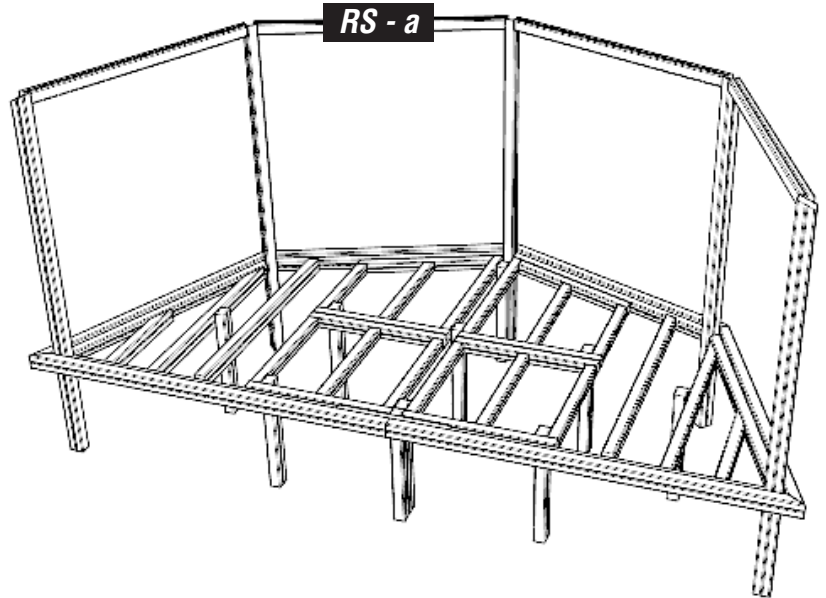
ATTACH THE RS - a ROOF TIMBERS

USING 2 X M8X80MM WOOD SCREW EITHER END, ENSURE TIMBERS ARE POSITIONED AS SHOWN

NOTES:

ENSURE TIMBERS ARE PRE-DRILLED AND COUNTERSUNK

TIMBERS ARE POSITIONED LEVEL WITH THE TOP OF THE UPRIGHT TIMBER



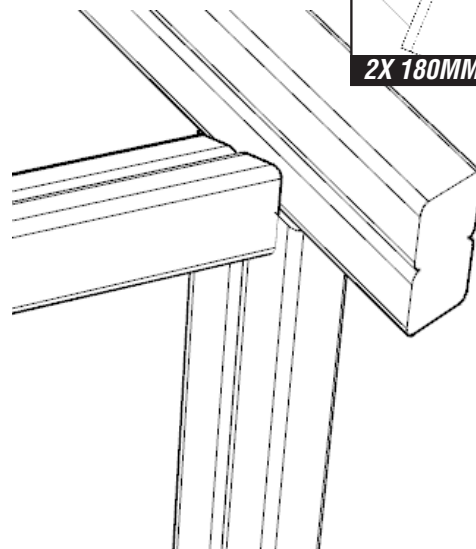
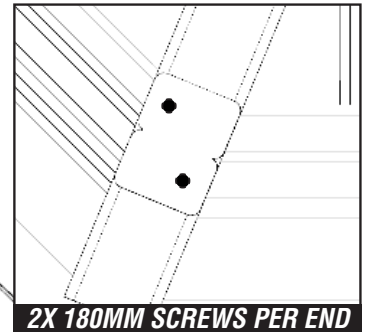
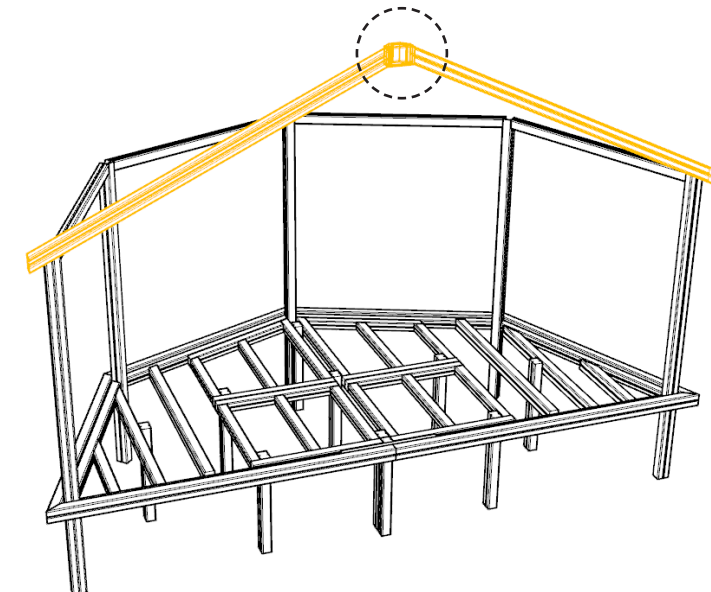
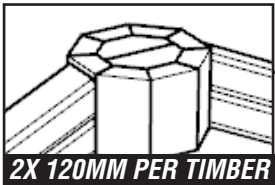
10

ATTACH RM TIMBERS TO KING POST (RT2) AND SCREW TO UPRIGHTS

USING 2 X M8X120MM & 2 X M8X180MM WOOD SCREWS

NOTES:

ENSURE SCREWS ARE AS SHOWN TO RIGHT, TAKE CARE NOT TO SPLIT UPRIGHT TIMBER

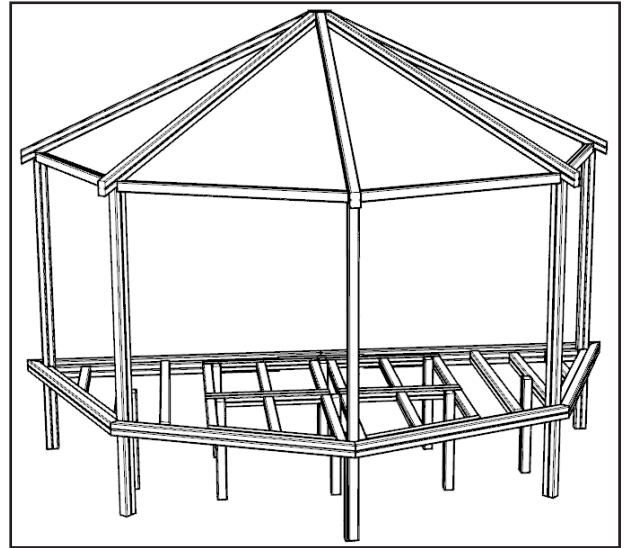
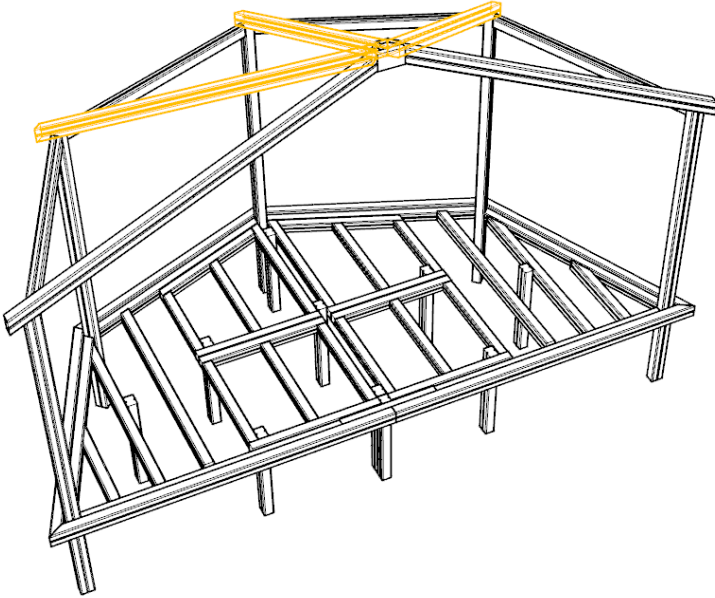


INSTALLATION INSTRUCTIONS

11

REPEAT FOR THE REMAINING RM TIMBERS

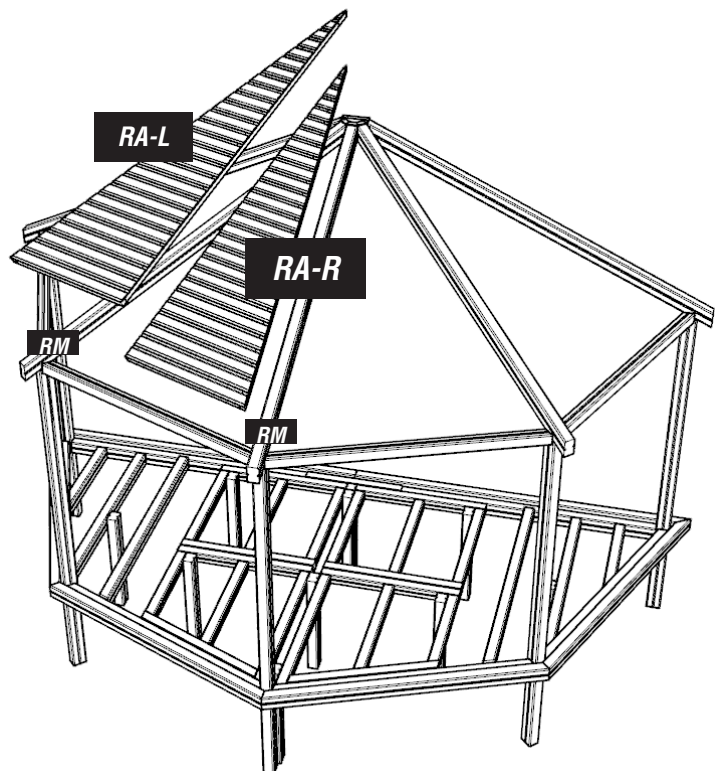
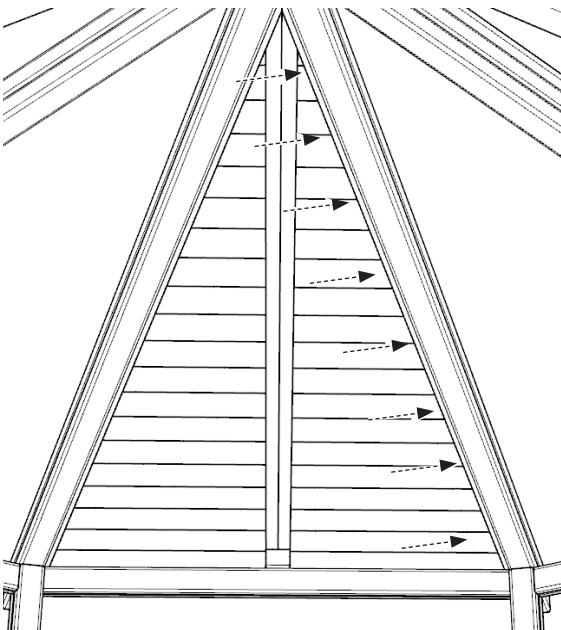
USING 120MM SCREWS INTO THE KING POST AND 180 SCREWS INTO THE UPRIGHT TIMBERS



12

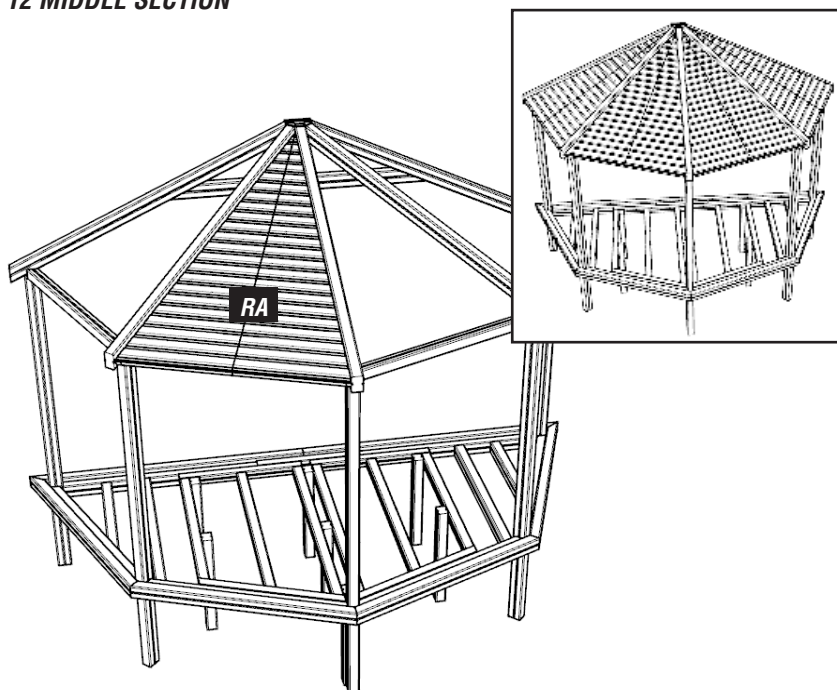
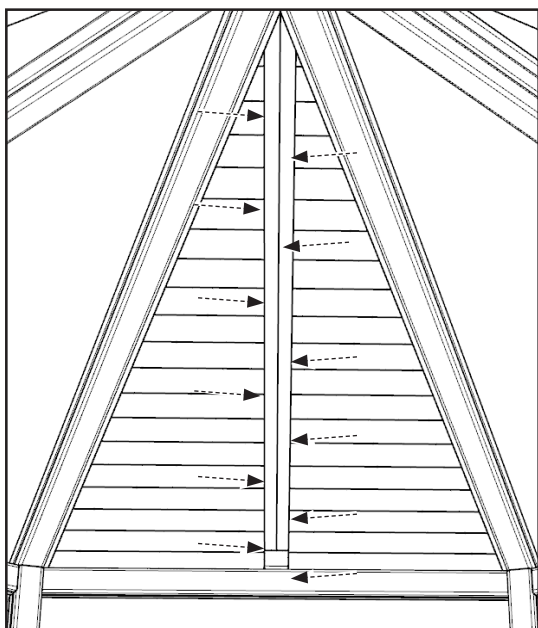
ATTACH THE RA-L / RA-R ASSEMBLIES TO THE RM TIMBERS

USING - 97.M8X80CSK - QUANTITY X 8 (INTO EACH RM TIMBER EITHER SIDE)



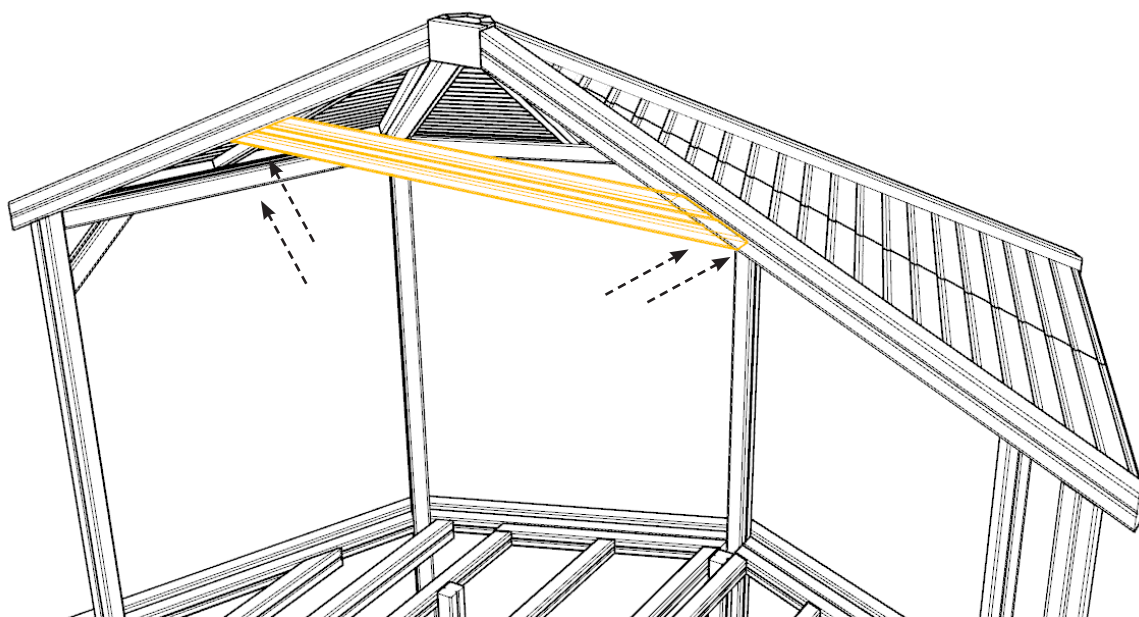
INSTALLATION INSTRUCTIONS

13 SECURE THE 2 SECTIONS OF ROOF (L - R) TOGETHER & REPEAT USING - 97.M8X80CSK - QUANTITY X 12 MIDDLE SECTION



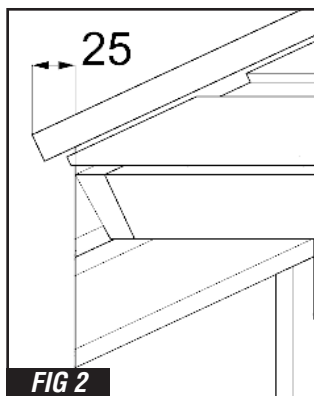
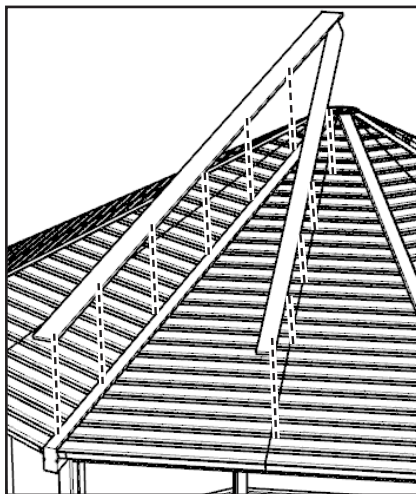
NOTES:
REPEAT STEPS 12 & 13 UNTIL ALL RA
PARTS HAVE BEEN ATTACHED

14 ATTACH RS - b TIMBER TO FRONT RM TIMBERS SHOWN USING 4 M8X180MM WOOD SCREWS



INSTALLATION INSTRUCTIONS

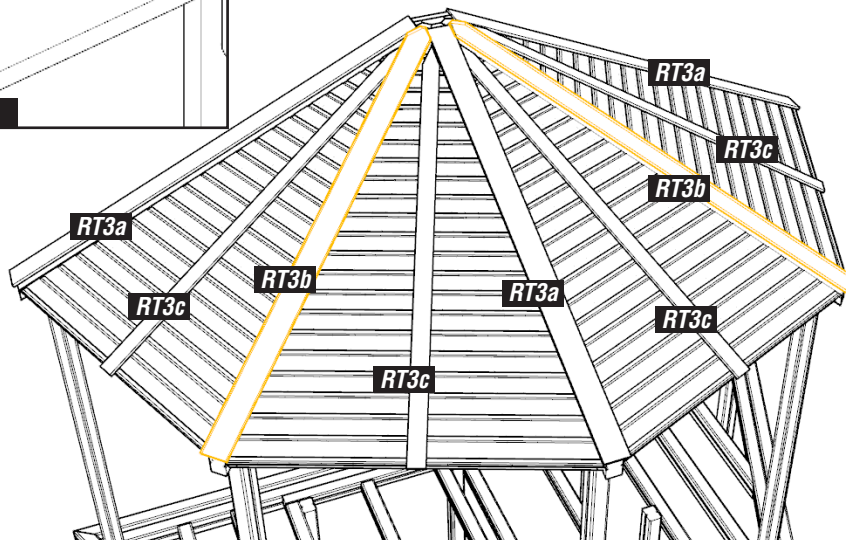
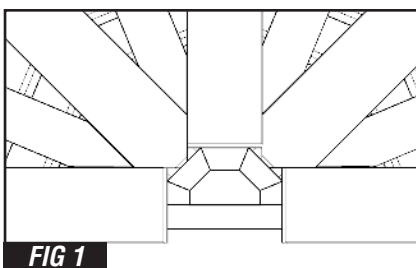
15 SCREW TRIM TIMBERS TO THE MAIN ROOF SUPPORTS (RM TIMBERS) USING 6 X M8X80MM WOOD SCREWS FOR EACH SECTION



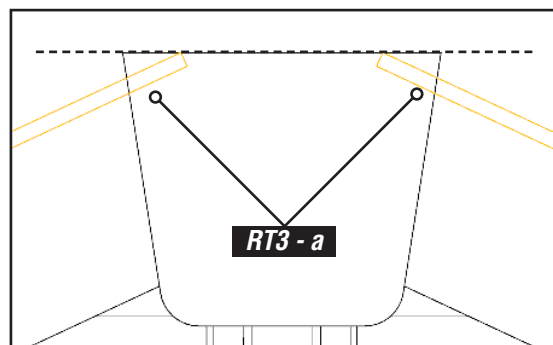
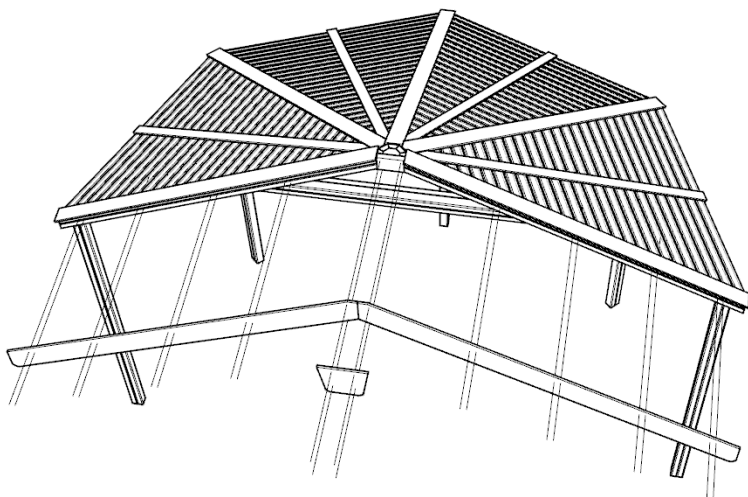
NOTES:

RT3 - a / b / c TIMBERS ARE TO BE POSITIONED AS SHOWN TO ENSURE THE TIMBERS DO NOT CLASH - SEE FIG 1 - RT3-c SITS BELOW a/b

ENSURE OVERHANG IS AS SHOWN ABOVE - FIG 2



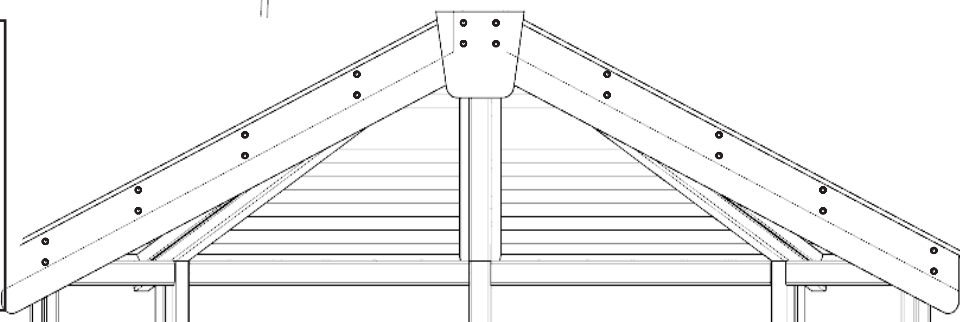
16 ATTACH THE RT4 & RT5 FRONT TRIM PIECES TO RM TIMBERS USING 20 X M8X80MM WOOD SCREWS



NOTES:

ENSURE RT5 TIMBER IS PLACED OVER RT4 TIMBER AND SCREWED TOGETHER AS SHOWN

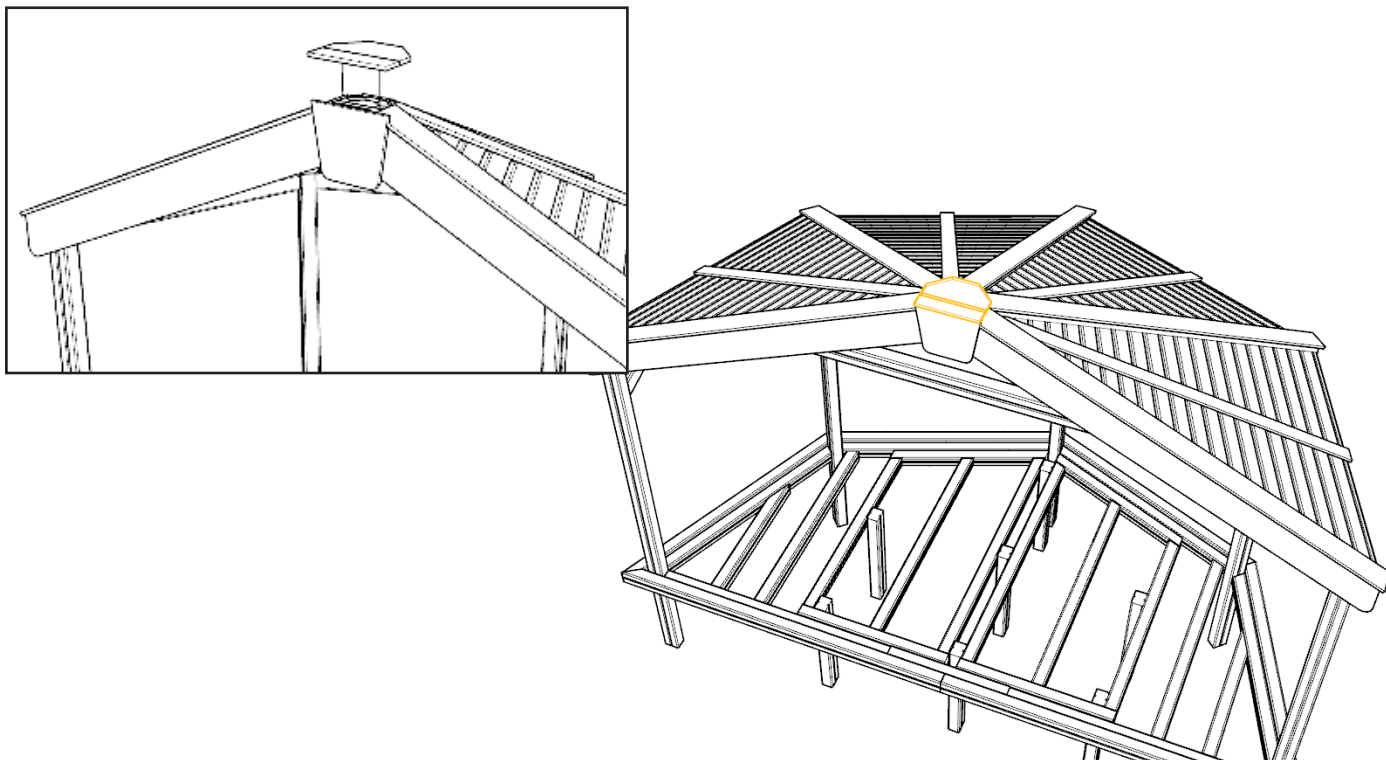
TOP OF RT35 TRIM SHOULD BE FLUSH WITH TOP OF TR3 TRIM SLATS ALREADY INSTALLED



INSTALLATION INSTRUCTIONS

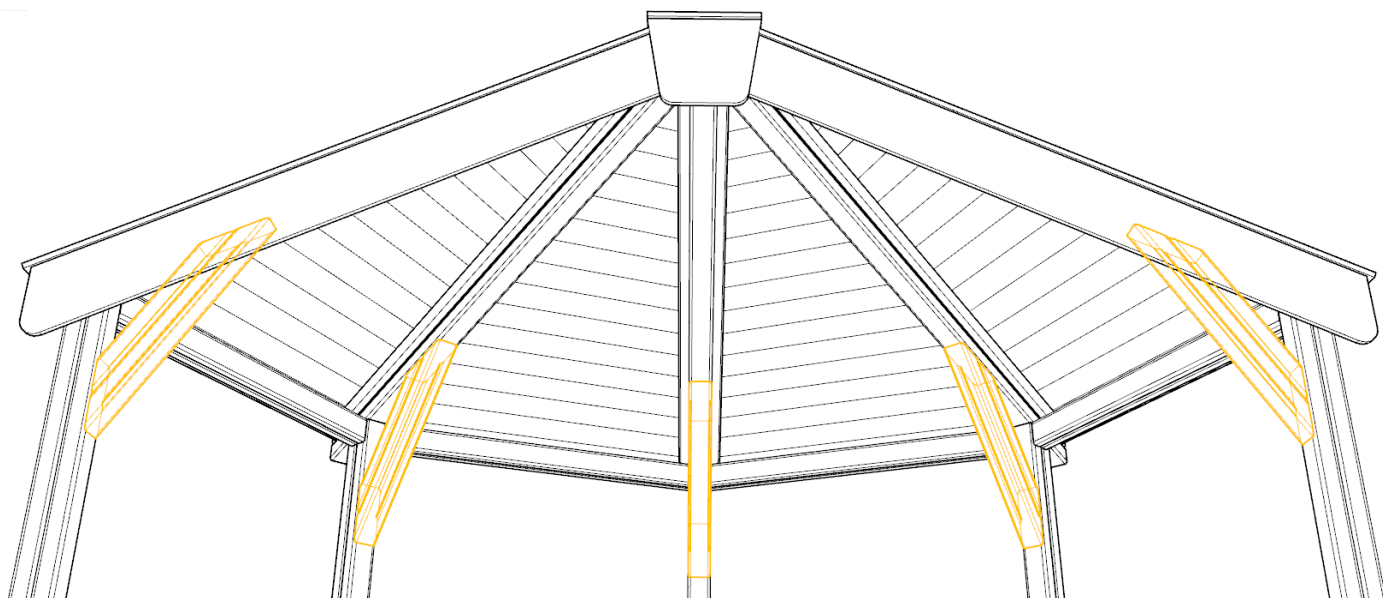
17 ATTACH THE RT1 TRIM PIECE

USING 4 X M8X80MM WOOD SCREWS FOR EACH TIMBER



18 ATTACH ROOF BRACES - RB

USING - 97.M8X120CSK - QUANTITY X 4 PER TIMBER



INSTALLATION INSTRUCTIONS

19

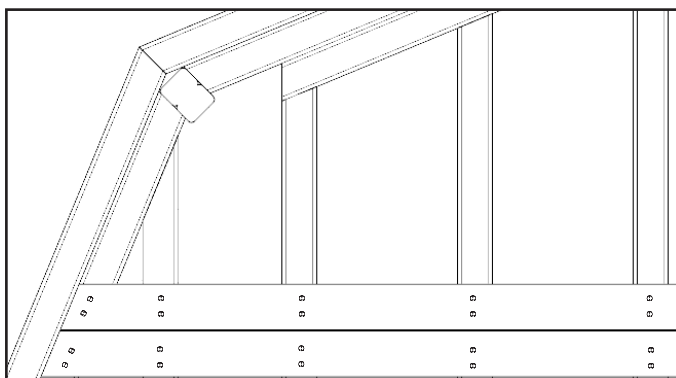
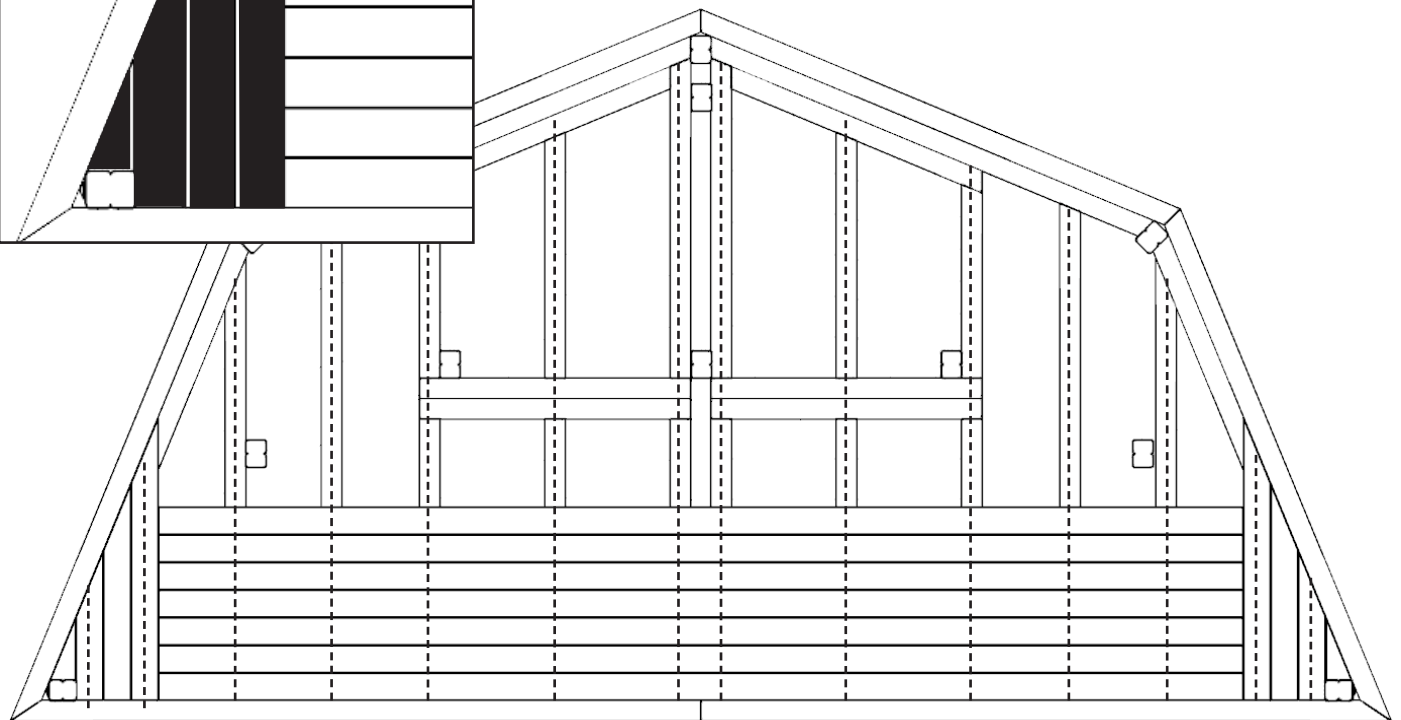
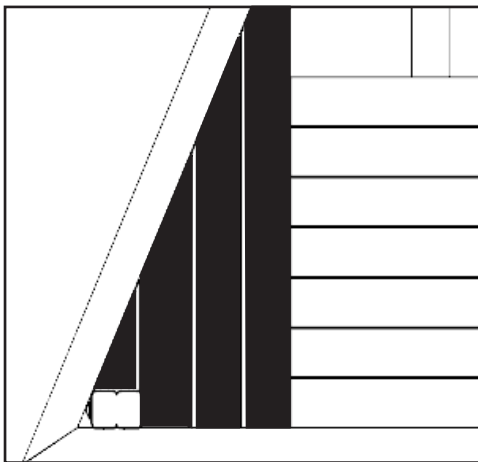
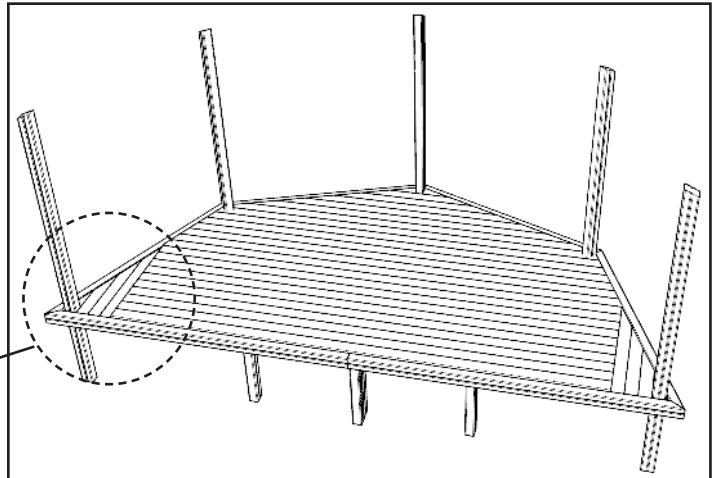
INSTALL DECKING AS SHOWN BELOW

USING - 97.D4.5X60 (DECK SCREW) - APPROX 2MM BETWEEN EACH SLAT

NOTES:

WORK FROM FRONT TO BACK - SPACING APPROX 2MM BETWEEN TIMBERS ENSURE EACH PIECE IS SCREWED TO ALL SUPPORTS (DOTTED LINE)

DUE TO THE OVERALL SIZE - INSTALL THE FIRST FULL LENGTH SLAT CENTRALLY THEN ADD 3-4 VERTICAL TIMBERS TO COVER THE GAP



NOTES:

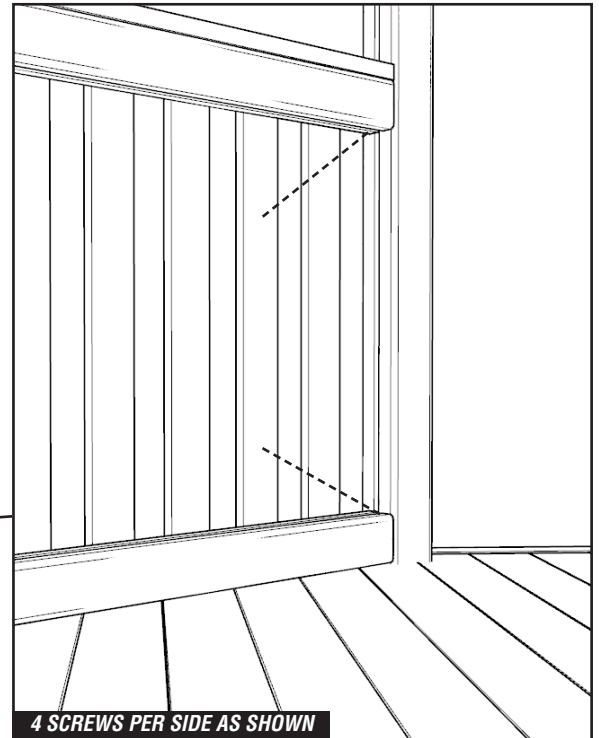
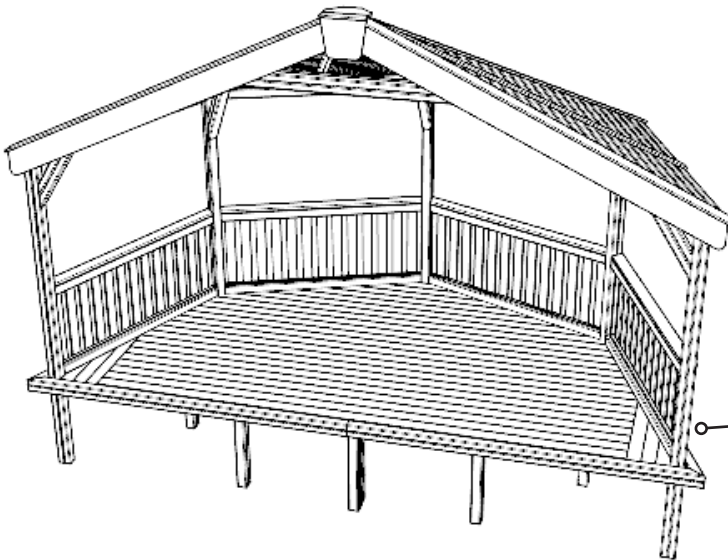
USE 2 X DECK SCREWS FOR WHERE DECK IS SCREWED INTO FLOOR SUPPORTS - GENERALLY 24 X DECK SCREWS PER SLAT / TIMBER

INSTALLATION INSTRUCTIONS

20

ATTACH SIDE ASSEMBLIES

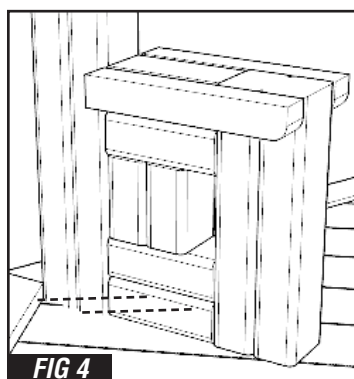
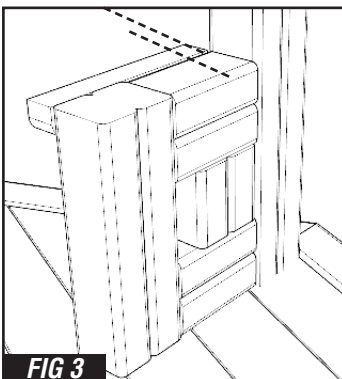
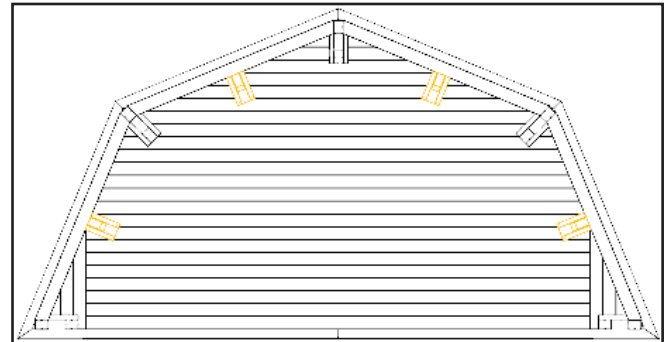
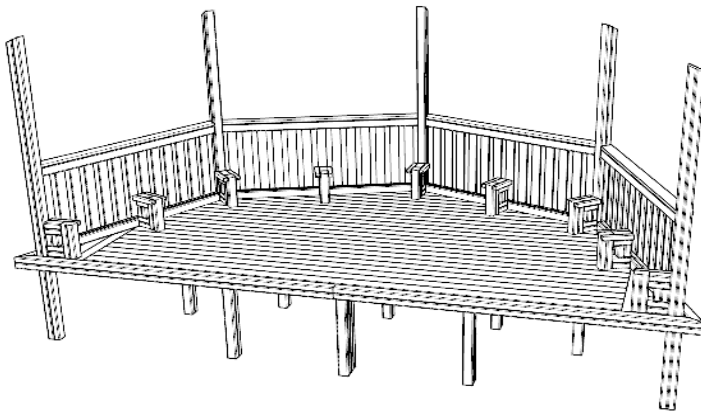
USING M8X80MM WOOD SCREWS, ENSURE TIMBERS ARE PRE-DRILLED AND COUNTERSUNK



21

INSTALL SEAT SUPPORTS

ENSURE ENTRANCE HAS AN SSA-(END) EITHER SIDE & PLACE 1X SSA - I IN CENTRE OF EACH SIDE PANEL



NOTES:

USE 2 X M8X120MM WOOD SCREWS TO SCREW INTO THE UPRIGHT TIMBER - FIG 3 (THIS WILL NOT BE POSSIBLE FOR THE CENTRAL SEAT SUPPORTS)

FURTHER SECURE USING 2 X M8X120MM WOOD SCREWS, POSITION THESE SCREWS ON THE 'INSIDE' AND SCREW INTO THE GROOVE - FIG 4

INSTALLATION INSTRUCTIONS

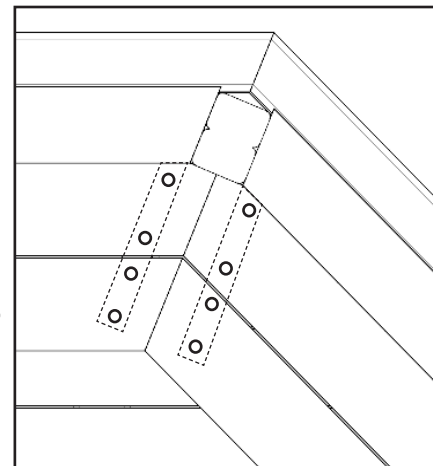
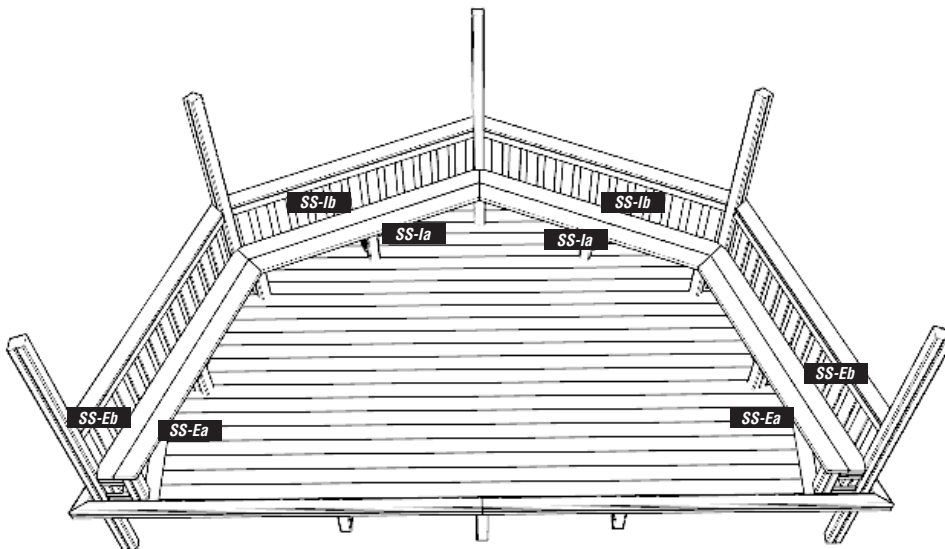
22

ATTACH SEAT SECTIONS - SS-I & SS-E

USING 4X M8X80MM WOOD SCREWS PER SLAT, SEAT SECTIONS ARE IN SETS - a / b

NOTES:

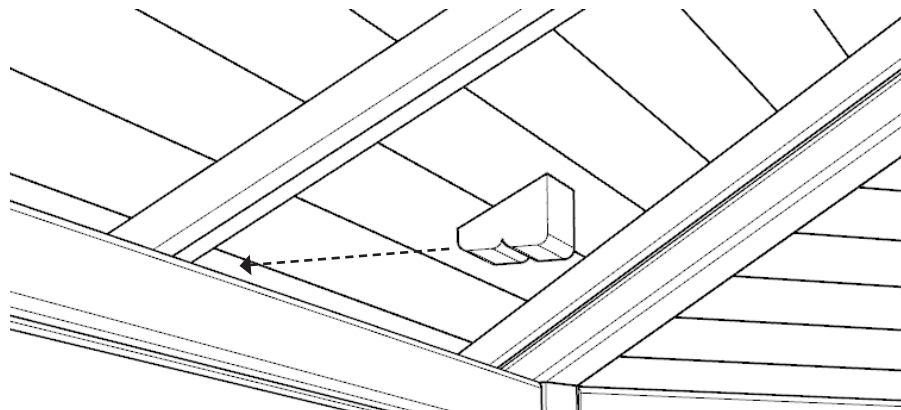
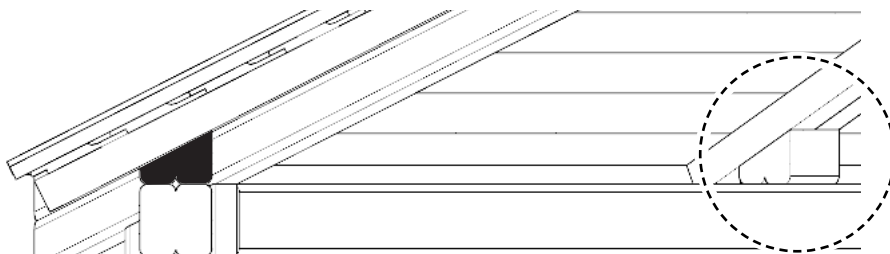
SCREW INTO THE 43X43 TIMBER SUPPORTS EITHER SIDE OF THE SEAT SUPPORT 'UPRIGHT'



23

FURTHER SUPPORT THE ROOF USING RB-T TIMBERS

USING - 97.M8X80CSK - QUANTITY X 4 PER 'WEDGE'



NOTES:

RB-T TIMBER BLOCKS SECURES / SUPPORT THE ADJOINING ROOF ASSEMBLIES

INSTALLATION INSTRUCTIONS

24

INSTALLATION COMPLETE

PLEASE CHECK ALL SCREWS COUNTERSUNK / NEAT SAND ANY TIMBERS AS REQUIRED

