

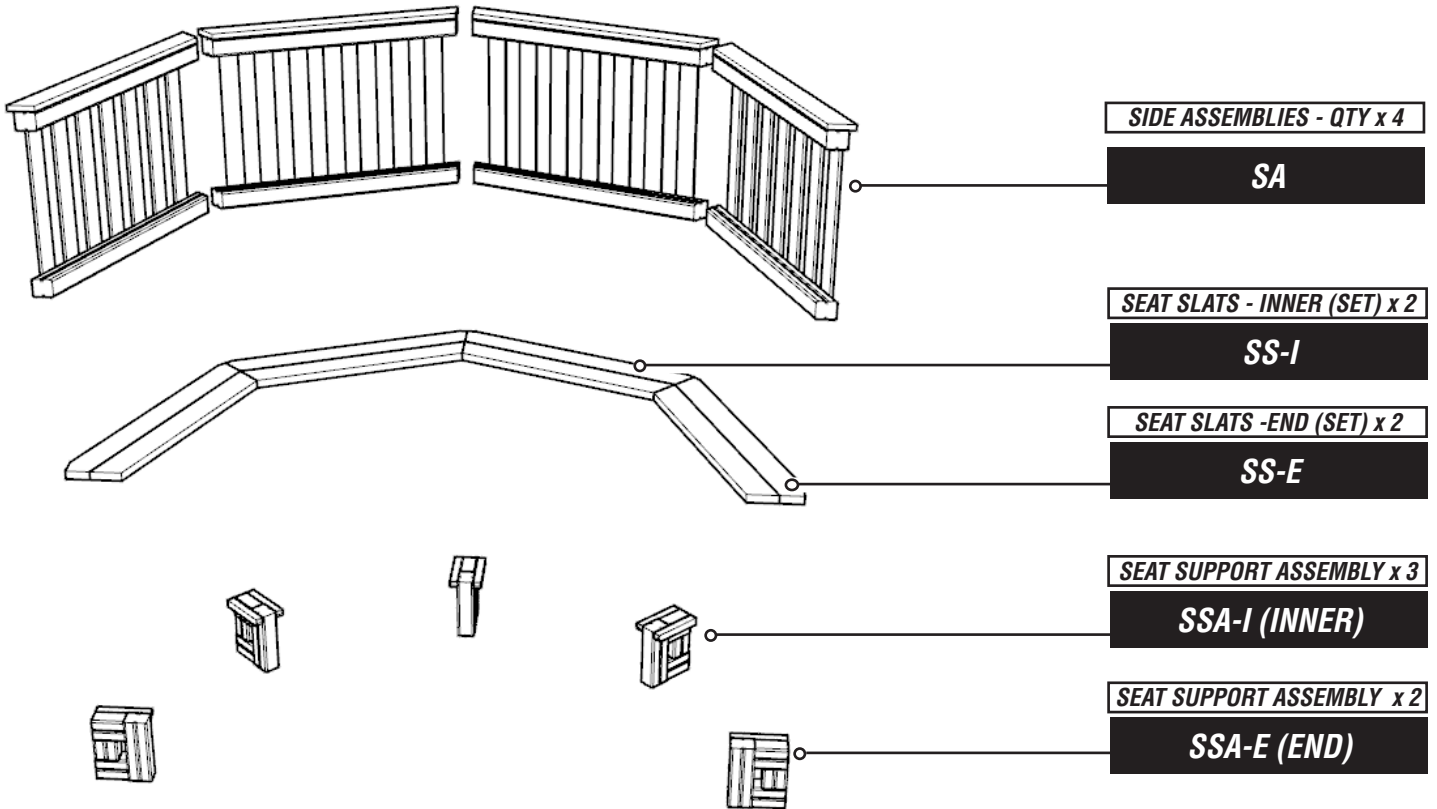
HS111 - OCTAVIA HALF (4M)

Installation Instructions

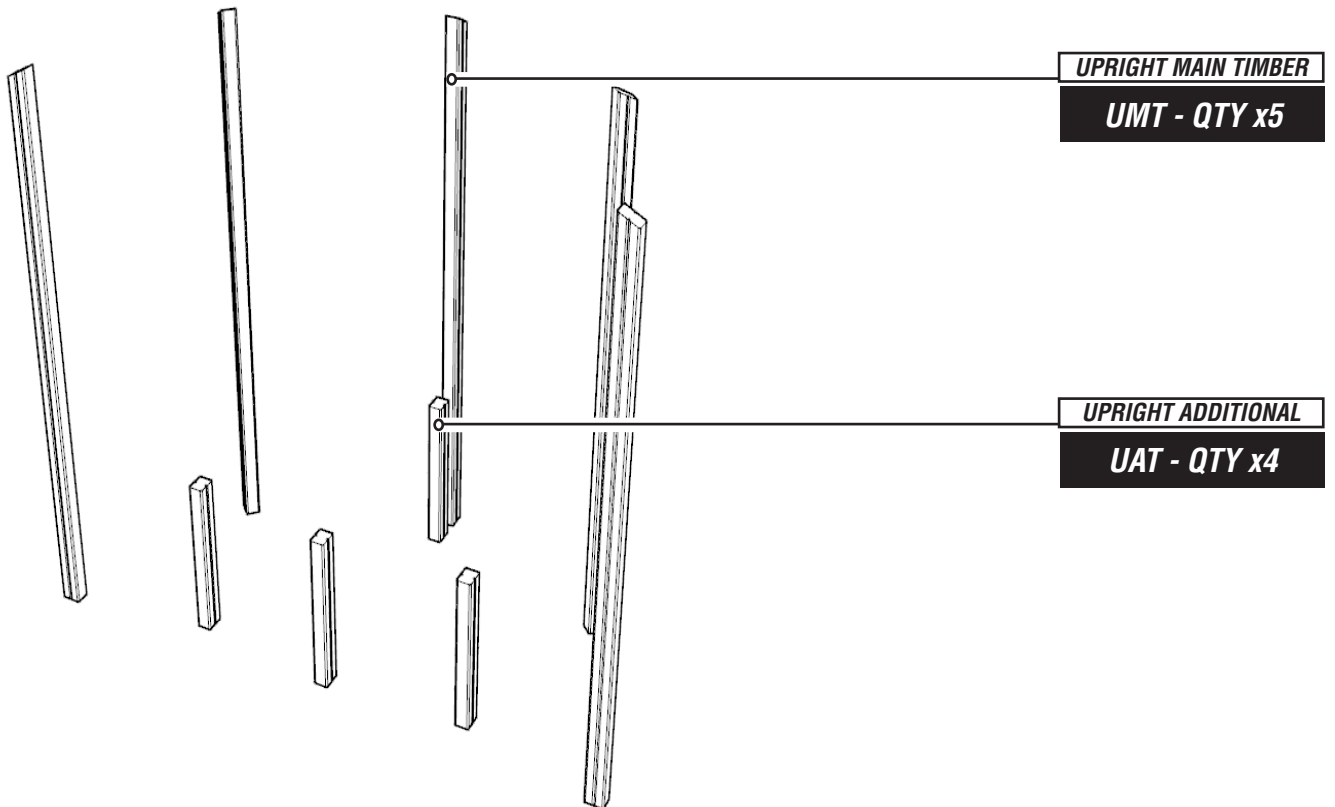
**creative
play**



PARTS REQUIRED

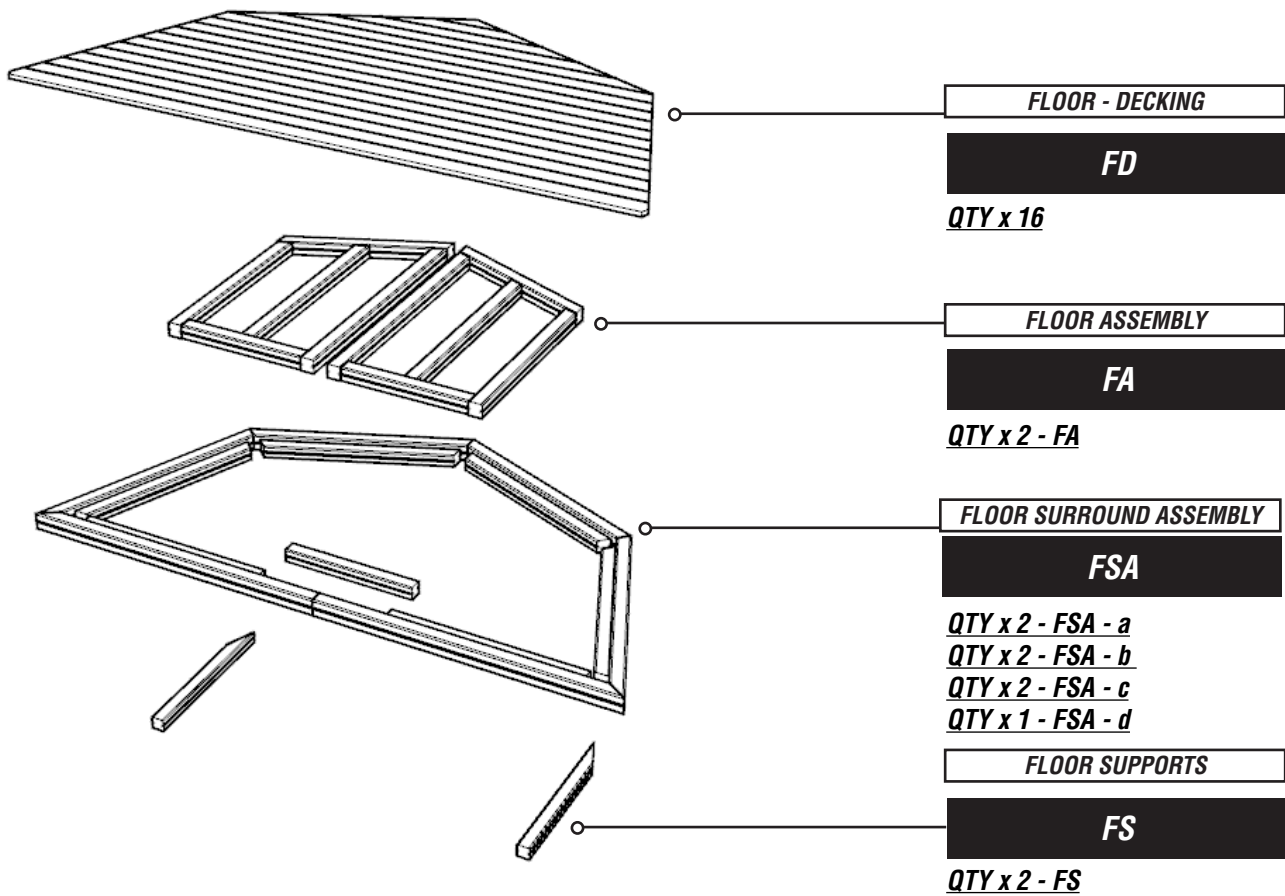


SEATING & SIDES PARTS / ASSEMBLIES

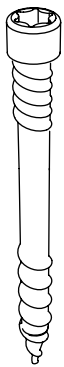


UPRIGHT TIMBERS

PARTS REQUIRED

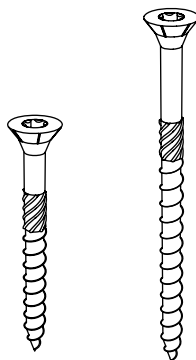


FLOOR PARTS / ASSEMBLIES



x 320

97.D4.5X60 (DECK SCREW)

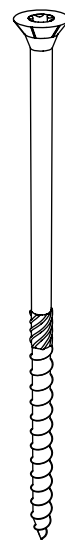


x 164

97.M8X80CSK

x 70

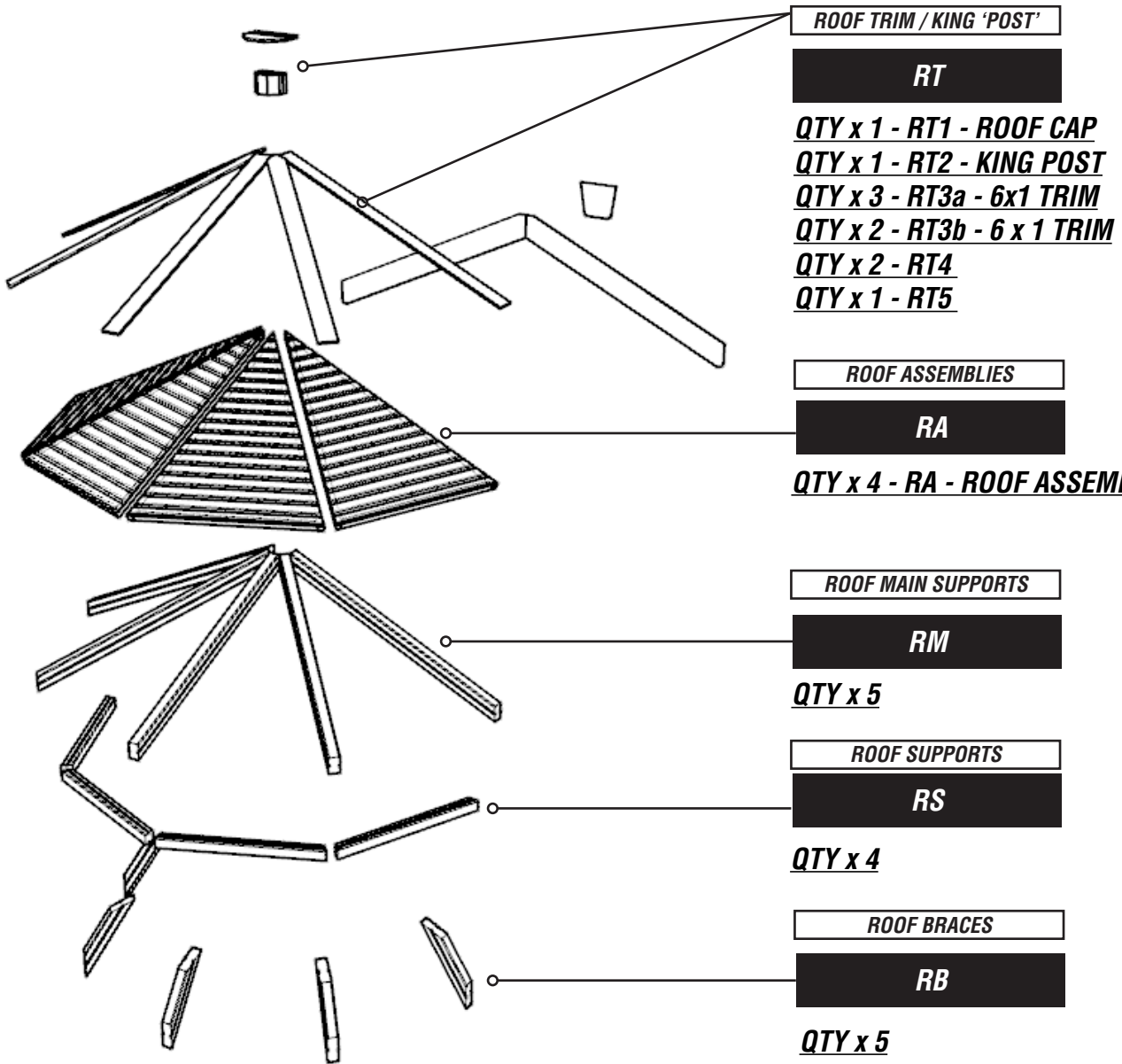
97.M8X120CSK



x 48

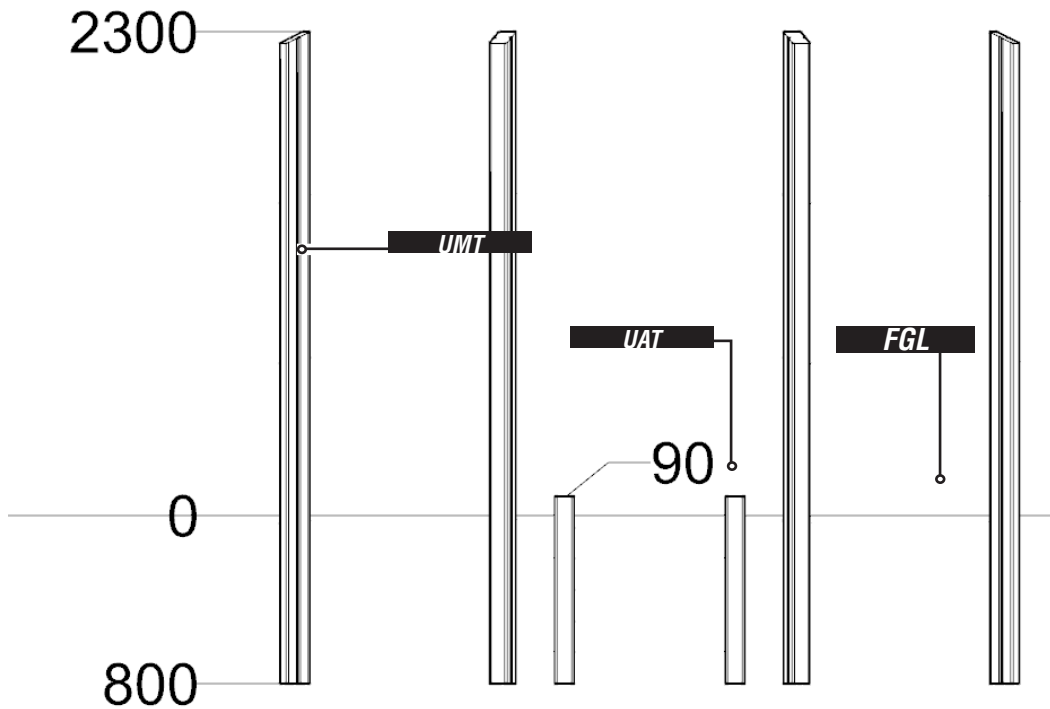
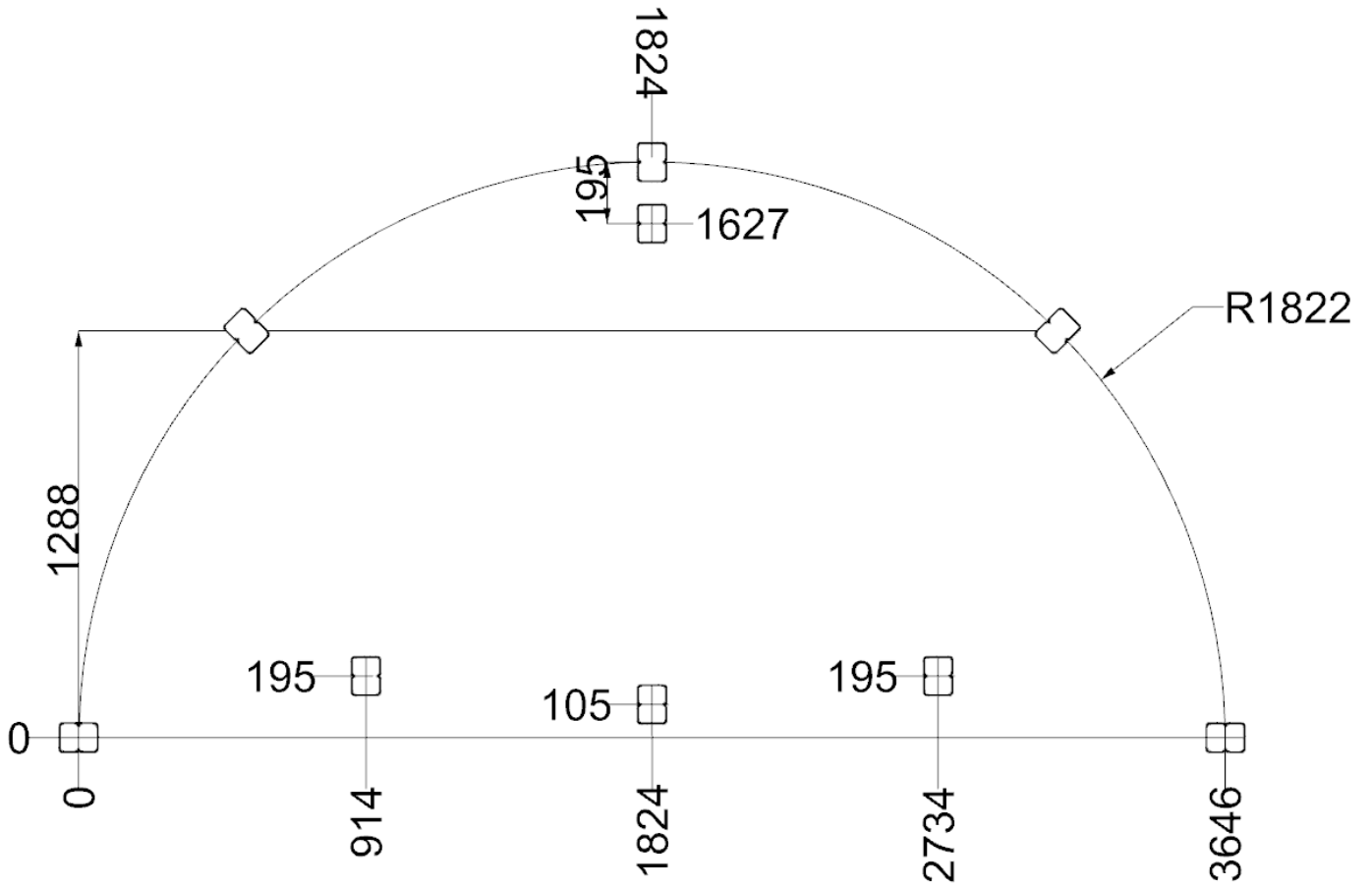
97.M8X180CSK

PARTS REQUIRED



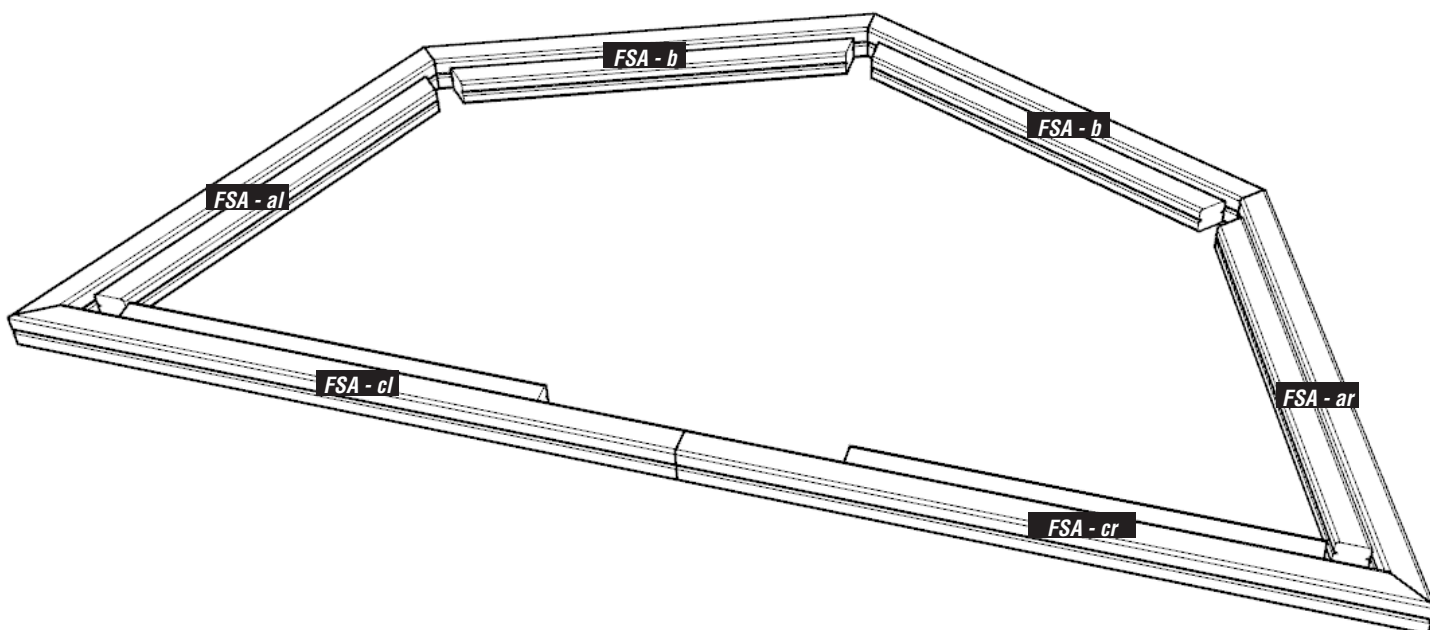
FOUNDATION DETAILS

NOTES:
POST HOLES 400MM x 400MM

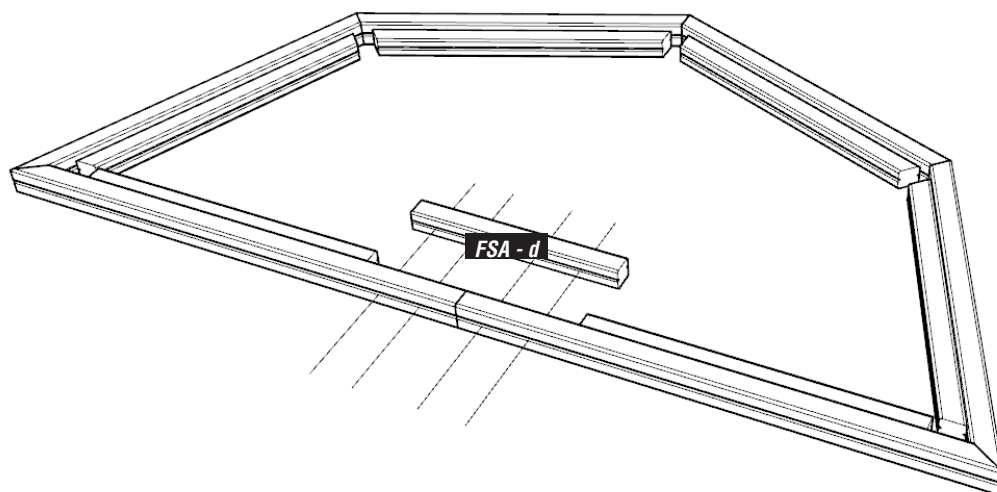
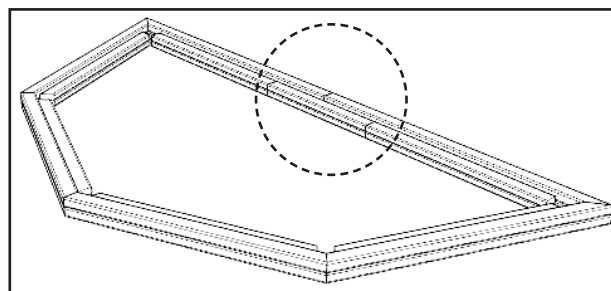


INSTALLATION INSTRUCTIONS

- 1** **POSITION FSA ASSEMBLIES**
POSITION THESE ON THE GROUND 120MM FACE ON THE OUTSIDE



- 2** **ATTACH FSA - d TIMBER TO REINFORCE FSA TIMBERS SHOWN**
USING 4X M8X180MM WOOD SCREWS, ENSURE SCREWS ARE INSERTED FROM INSIDE FRAMEWORK

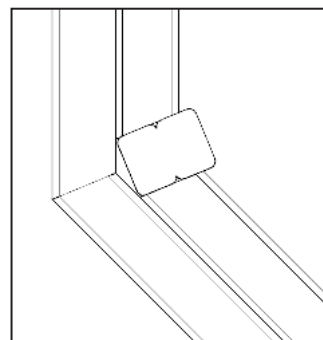
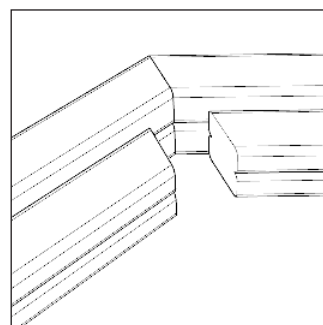
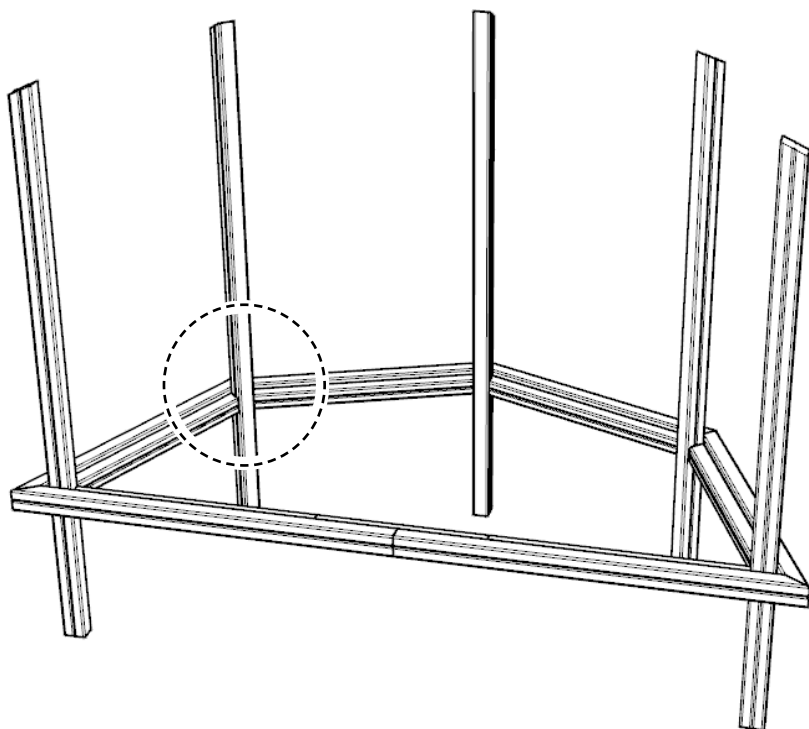


INSTALLATION INSTRUCTIONS

3

INSTALL THE UMT TIMBERS

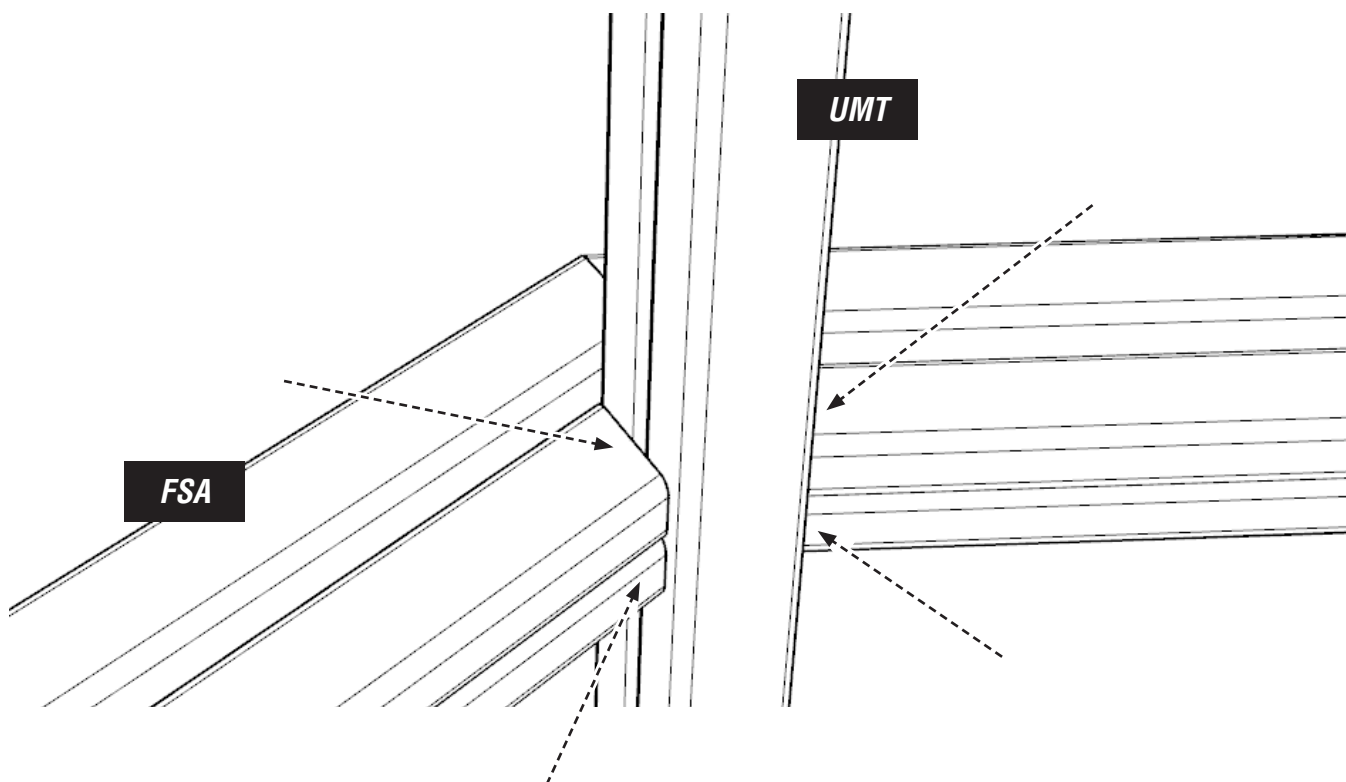
THE 90X90 TIMBER ON THE FSA ASSEMBLIES HELP POSITION THESE



4

SCREW THE FSA ASSEMBLIES TO THE UMT TIMBERS

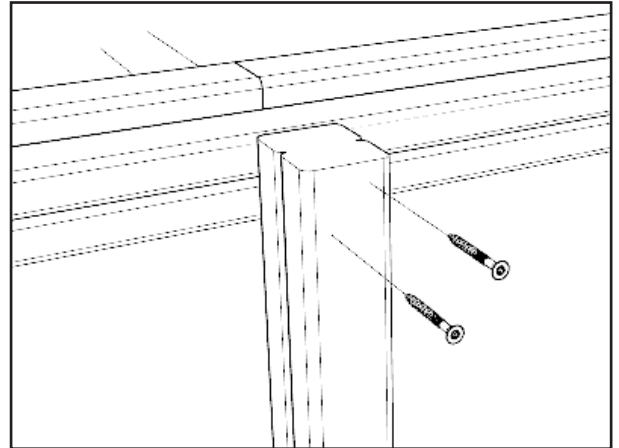
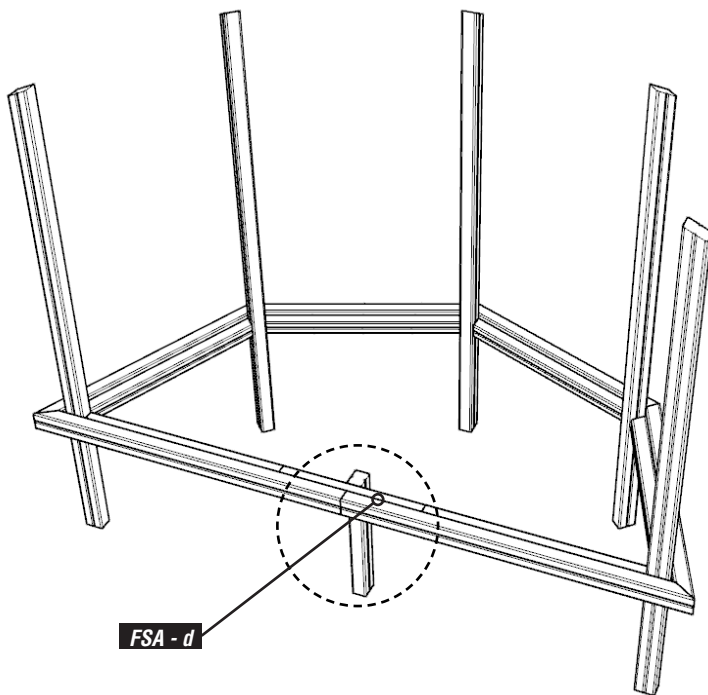
USING - 97.M8X120CSK - QUANTITY X 20



INSTALLATION INSTRUCTIONS

5

**INSTALL ONE UAT TIMBERS IN CENTRE OF FSA - d TIMBER
USING 2X M8X180MM WOOD SCREWS**

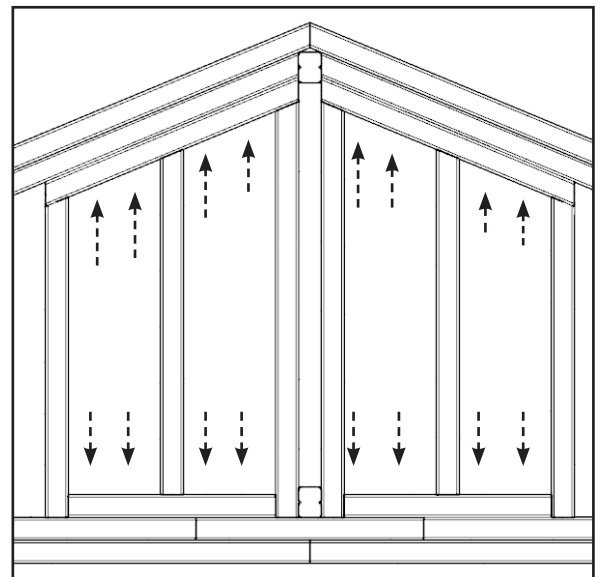
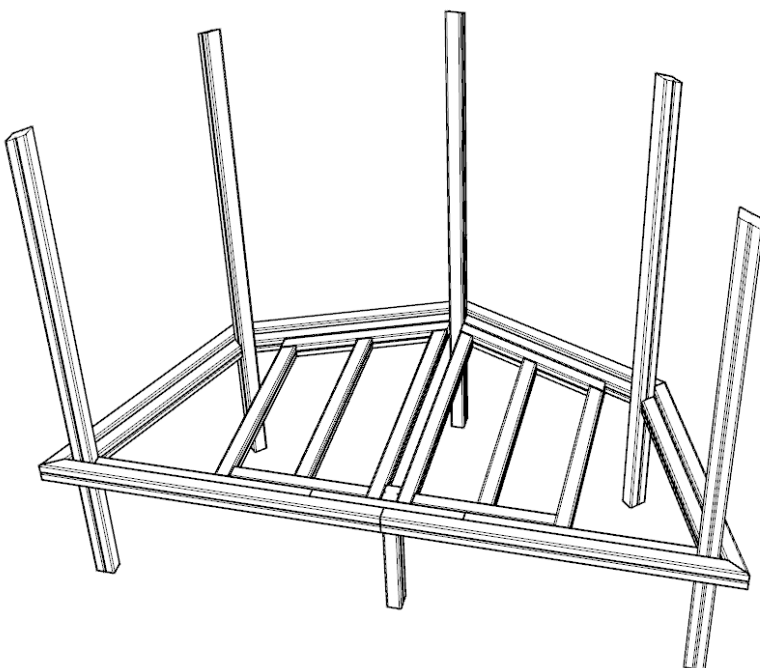


NOTES:

TOP FACE OF TIMBER WILL BE FLUSH WITH THE
TOP OF THE 'INNER' 90X90 TIMBER

6

**INSTALL FA - a ASSEMBLIES
USING - 97.M8X180CSK - QUANTITY X 16**

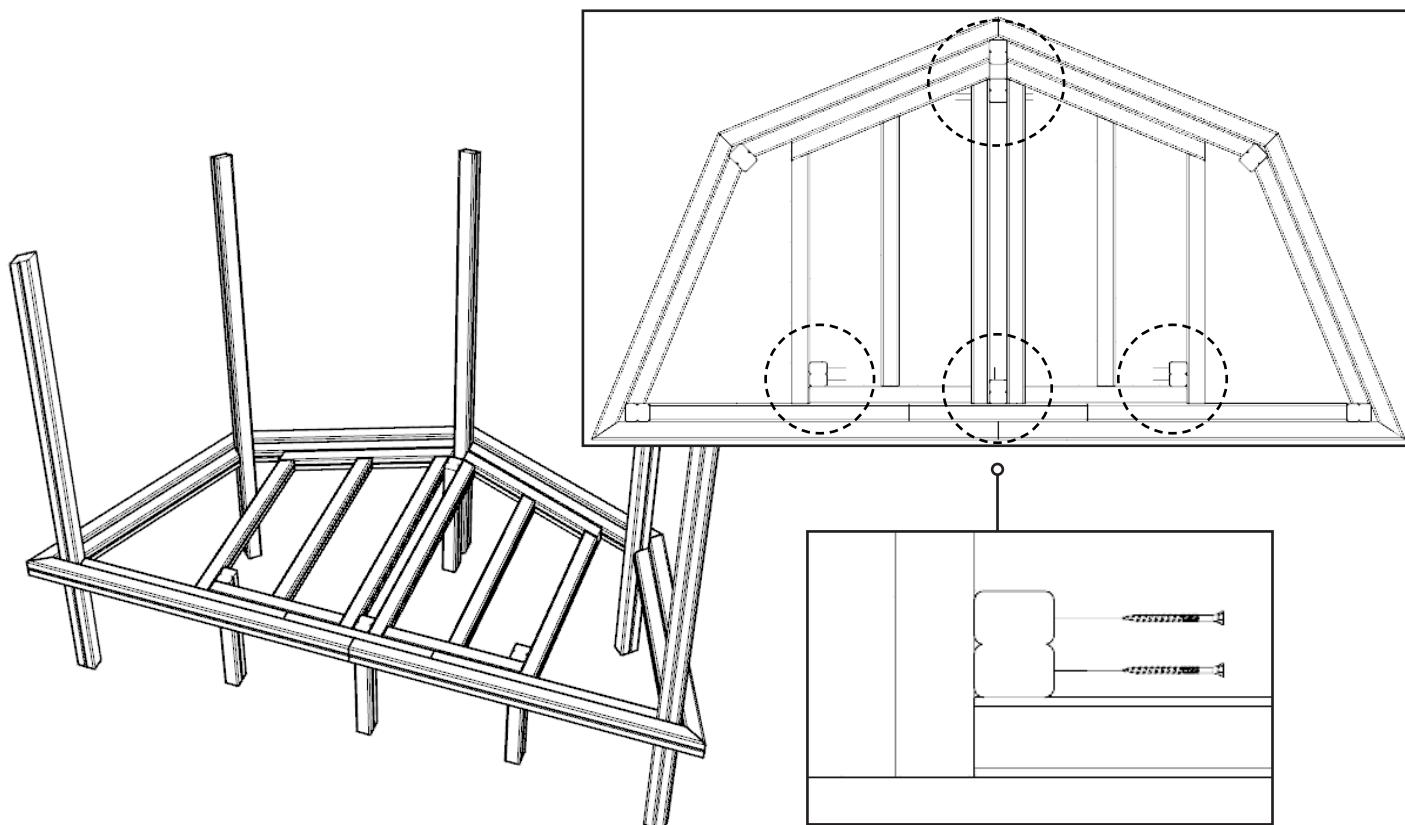


INSTALLATION INSTRUCTIONS

7

ATTACH ADDITIONAL SUPPORTS

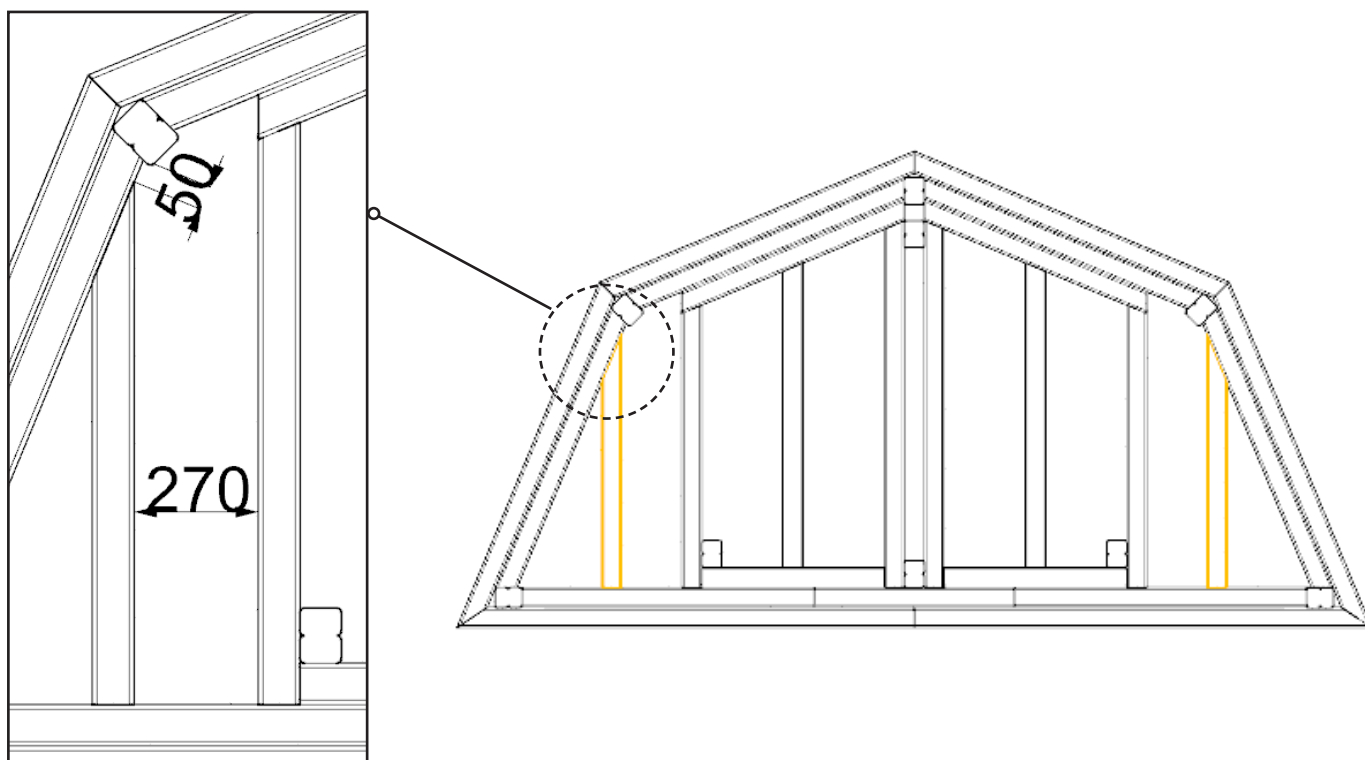
USING 2 X M8X180MM PER TIMBER - SCREWING INTO THE FA ASSEMBLY



8

INSTALL FLOOR SUPPORTS - FS

USING M8X180MM WOOD SCREWS



INSTALLATION INSTRUCTIONS

9

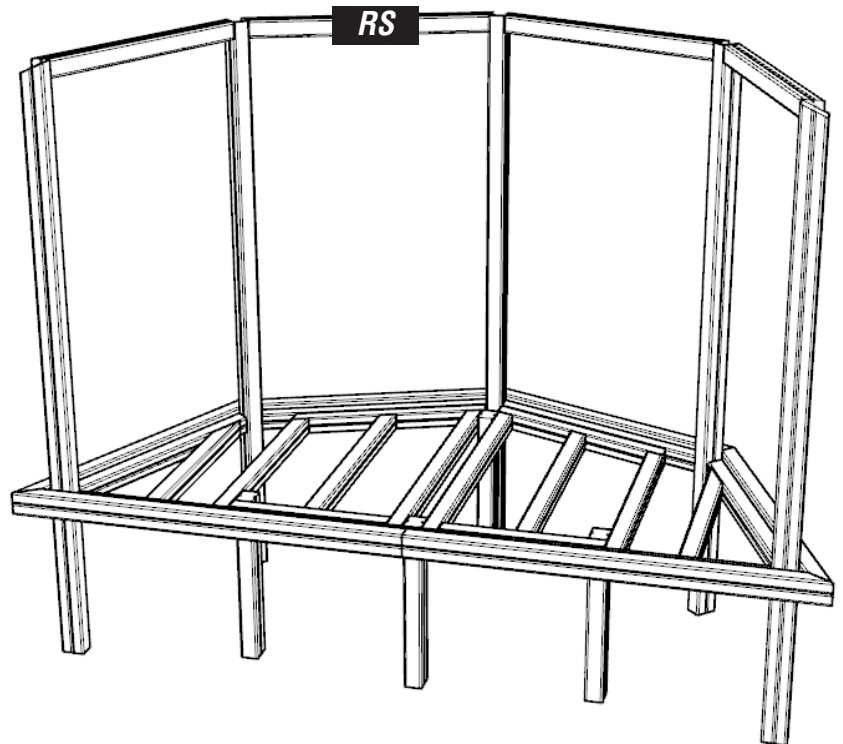
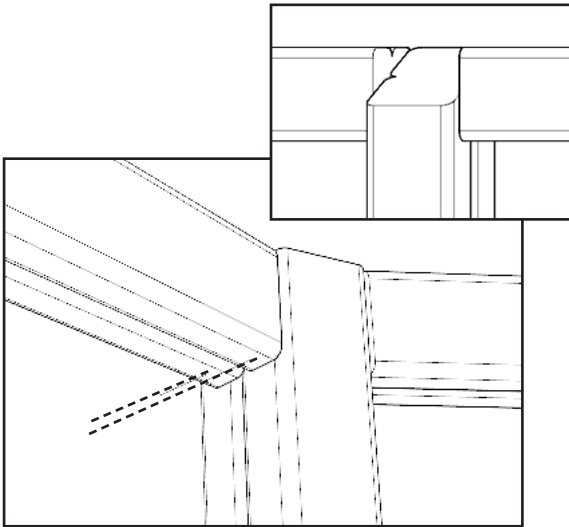
ATTACH THE RS ROOF TIMBERS

USING 2 X M8X80MM WOOD SCREW EITHER END, ENSURE TIMBERS ARE POSITIONED AS SHOWN

NOTES:

ENSURE TIMBERS ARE PRE-DRILLED AND COUNTERSUNK

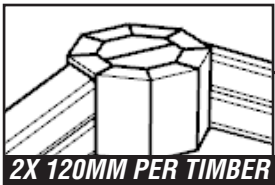
TIMBERS ARE POSITIONED LEVEL WITH THE TOP OF THE UPRIGHT TIMBER



10

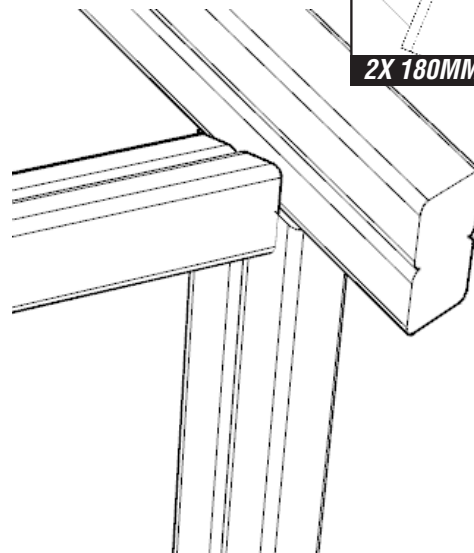
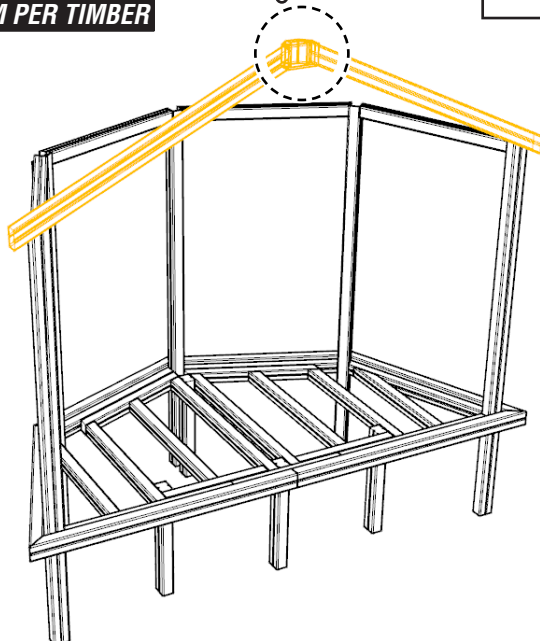
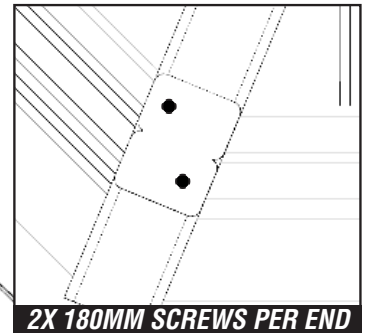
ATTACH RM TIMBERS TO KING POST (RT2) AND SCREW TO UPRIGHTS

USING 2 X M8X120MM & 2 X M8X180MM WOOD SCREWS



NOTES:

ENSURE SCREWS ARE AS SHOWN TO RIGHT, TAKE CARE NOT TO SPLIT UPRIGHT TIMBER

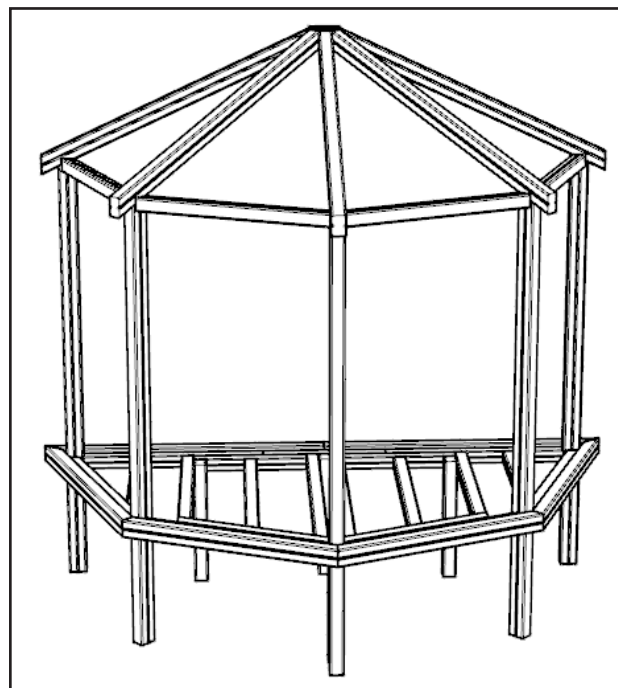
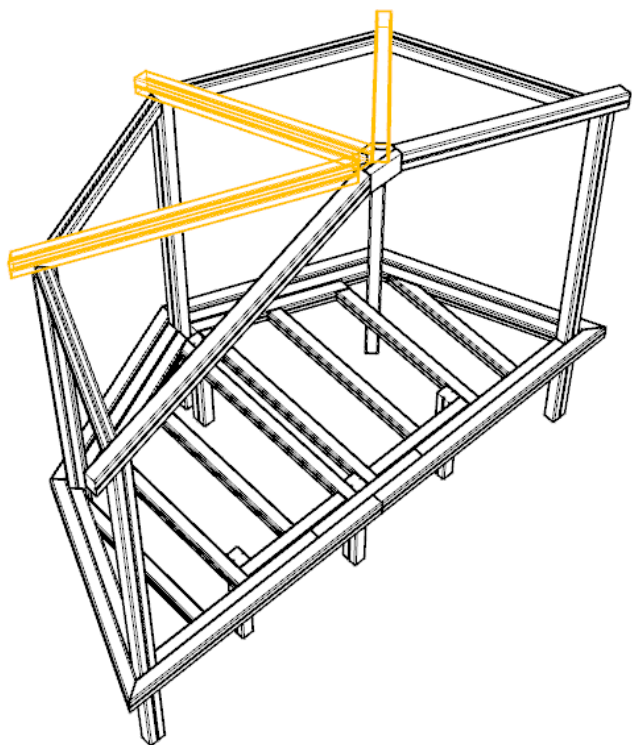


INSTALLATION INSTRUCTIONS

11

REPEAT FOR THE REMAINING RM TIMBERS

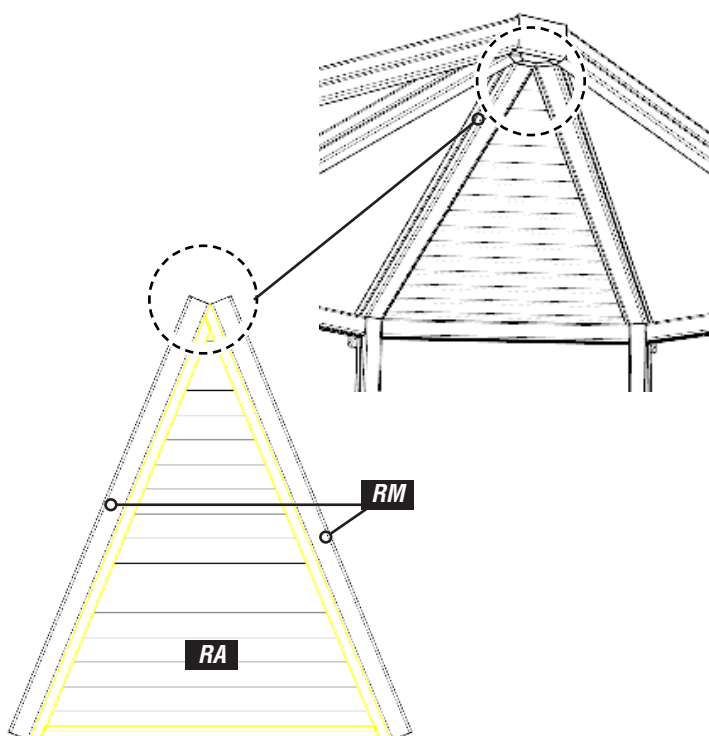
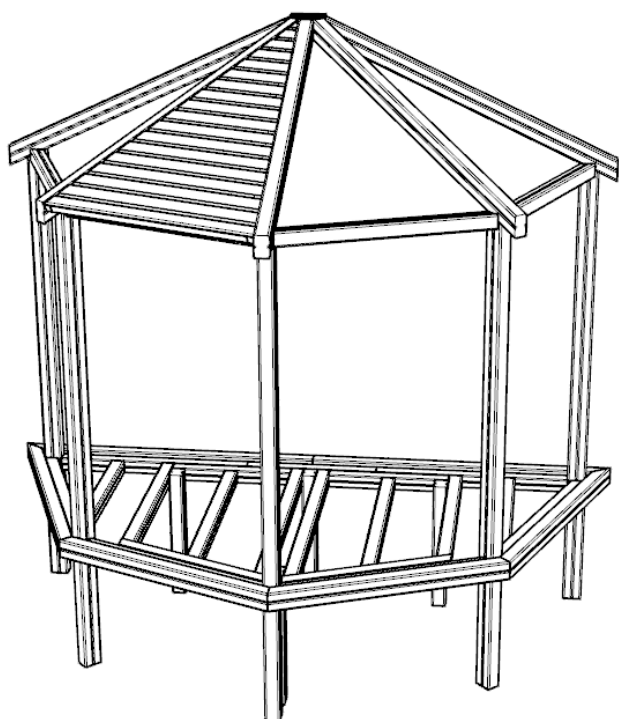
USING 120MM SCREWS INTO THE KING POST AND 180 SCREWS INTO THE UPRIGHT TIMBERS



12

SCREW RA - ROOF ASSEMBLIES TO RM TIMBERS

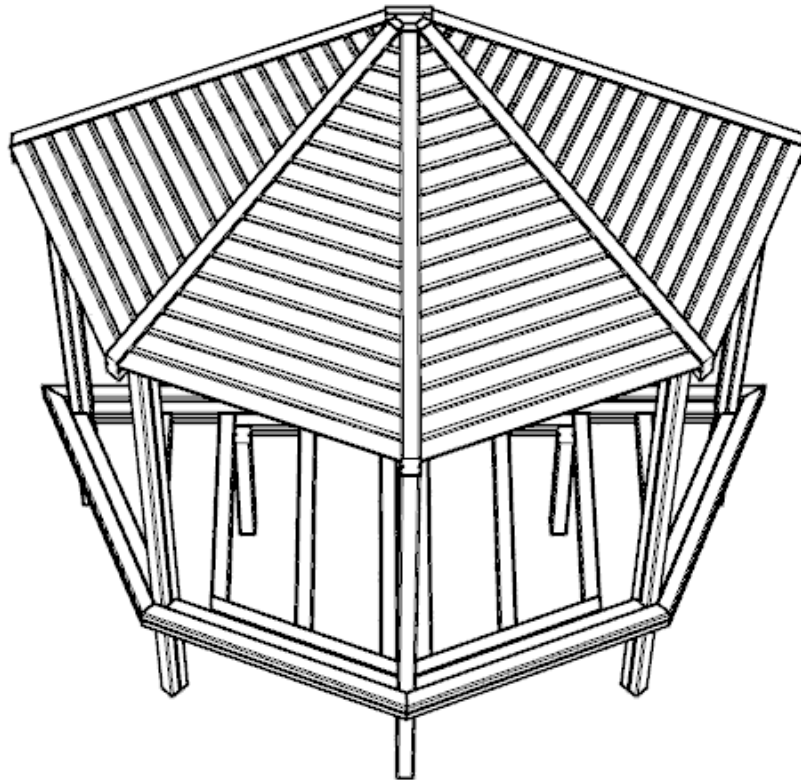
USING 6 X M8X80MM WOOD SCREWS PER SIDE, ENSURE ROOF IS POSITIONED AS SHOWN



INSTALLATION INSTRUCTIONS

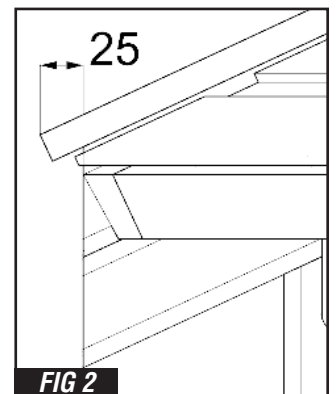
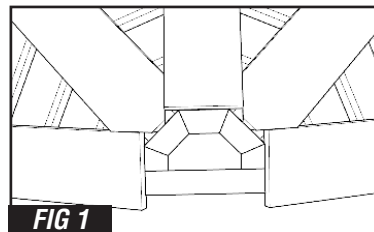
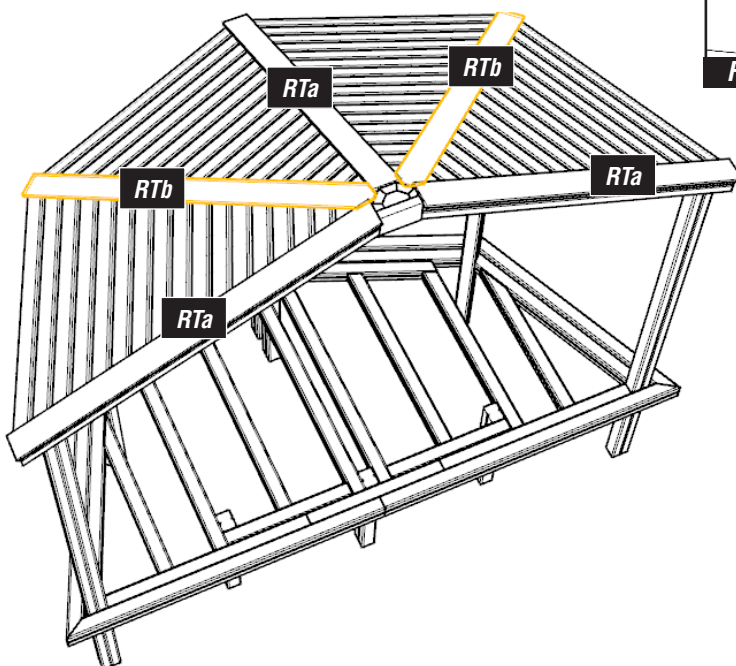
13

REPEAT FOR THE REMAINING RA - ROOF ASSEMBLIES



14

SCREW TRIM TIMBERS TO THE MAIN ROOF SUPPORTS (RM TIMBERS)
USING 4 X M8X80MM WOOD SCREWS FOR EACH SECTION



NOTES:

RTA / B TIMBERS ARE TO BE
POSITIONED ALTERNATELY TO ENSURE THE TIMBERS
DO NOT CLASH - SEE ABOVE FIG 1

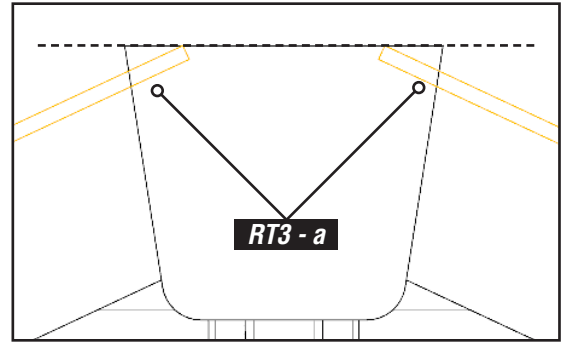
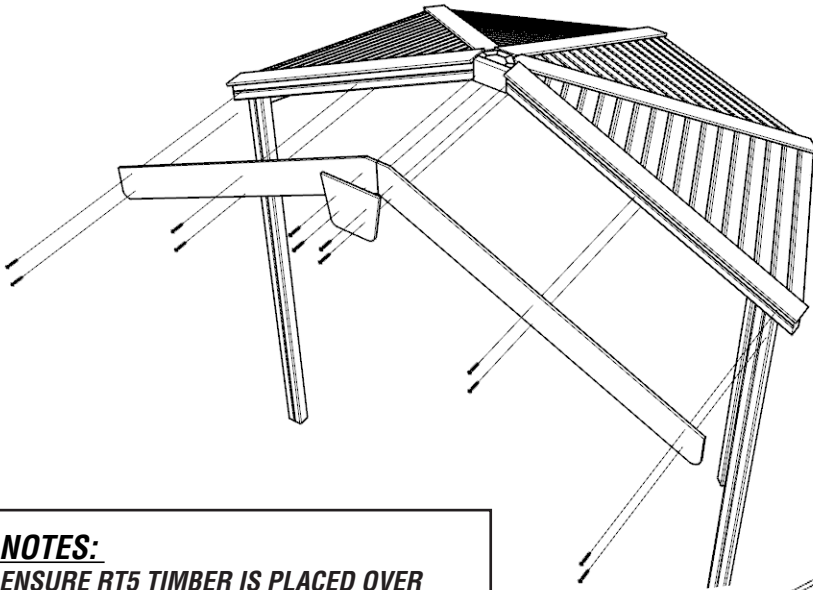
ENSURE OVERHANG IS AS SHOWN ABOVE - FIG 2

INSTALLATION INSTRUCTIONS

15

ATTACH THE RT4 & RT5 FRONT TRIM TIMBERS

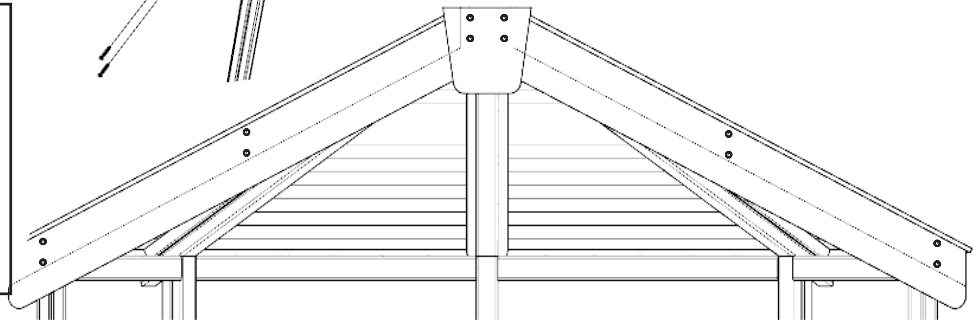
USING 12 X M8X80MM, SCREW TO RM TIMBERS



NOTES:

ENSURE RT5 TIMBER IS PLACED OVER RT4 TIMBER AND SCREWED TOGETHER AS SHOWN

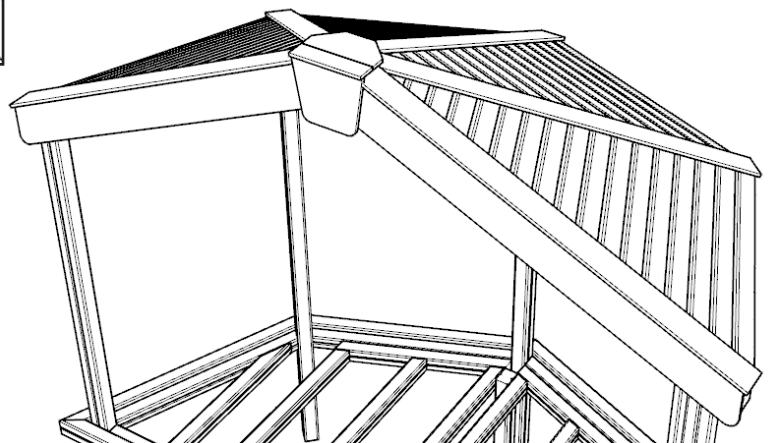
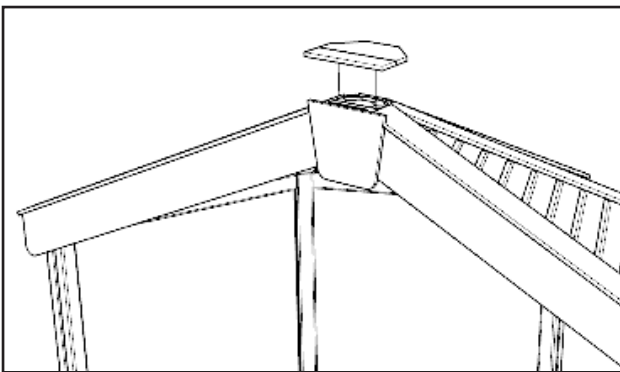
TOP OF RT5 TRIM SHOULD BE FLUSH WITH TOP OF TR3 TRIM SLATS ALREADY INSTALLED



16

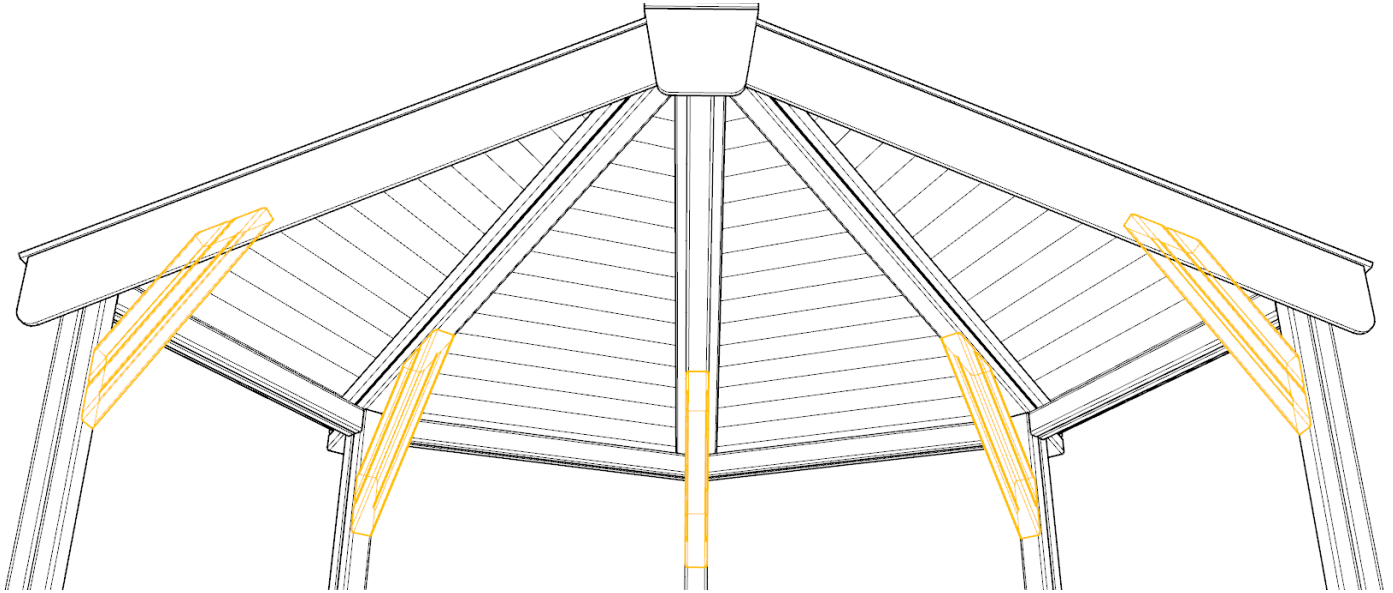
ATTACH THE RT1 TRIM PIECE

USING 4 X M8X80MM WOOD SCREWS FOR EACH TIMBER



17**ATTACH ROOF BRACES - RB**

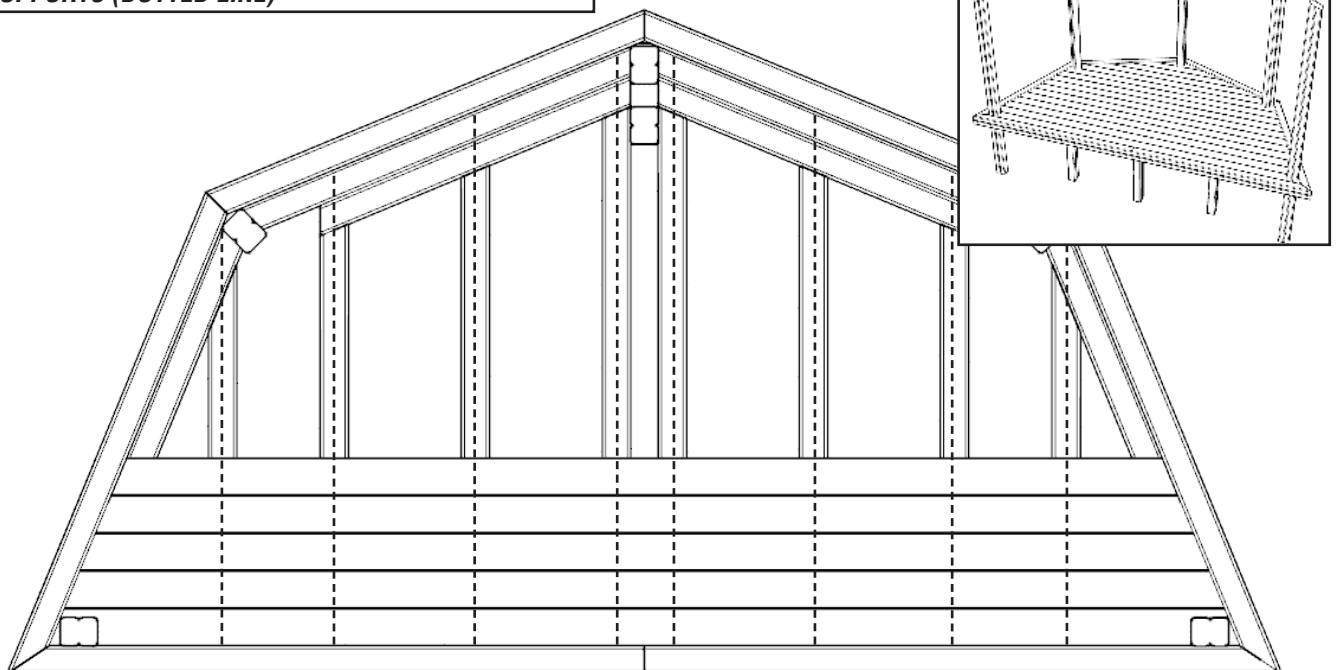
USING - 97.M8X120CSK - QUANTITY X 4 PER TIMBER

**18****INSTALL DECKING AS SHOWN BELOW**

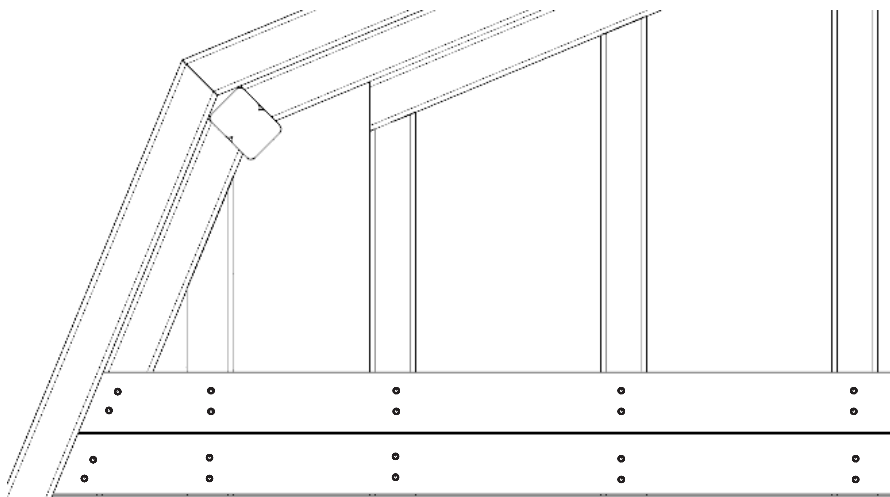
USING - 97.D4.5X60 (DECK SCREW) - APPROX 2MM BETWEEN EACH SLAT

NOTES:

WORK FROM FRONT TO BACK - SPACING APPROX 2MM
BETWEEN TIMBERS ENSURE EACH PIECE IS SCREWED TO
ALL SUPPORTS (DOTTED LINE)



INSTALLATION INSTRUCTIONS

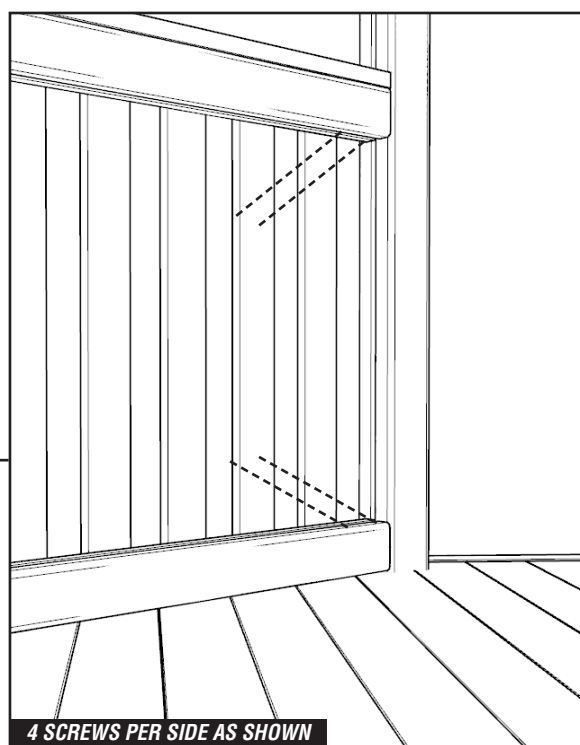


NOTES:

USE 2 X DECK SCREWS FOR WHERE DECK IS SCREWED INTO FLOOR SUPPORTS - GENERALLY 20 X DECK SCREWS PER SLAT / TIMBER

19 ATTACH SIDE ASSEMBLIES

USING M8X80MM WOOD SCREWS, ENSURE TIMBERS ARE PRE-DRILLED AND COUNTERSUNK



4 SCREWS PER SIDE AS SHOWN

INSTALLATION INSTRUCTIONS

20

INSTALL SEAT SUPPORTS

ENSURE ENTRANCE HAS AN SSA-(END) EITHER SIDE

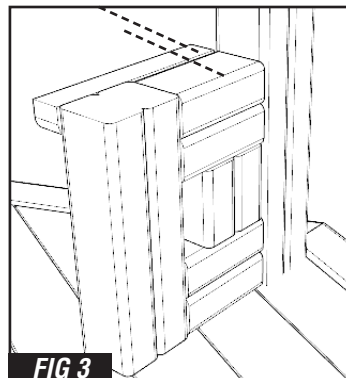
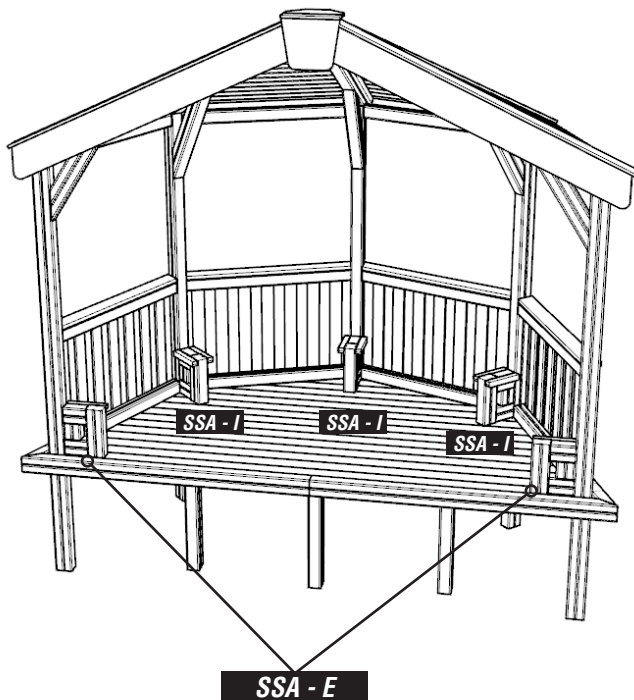


FIG 3

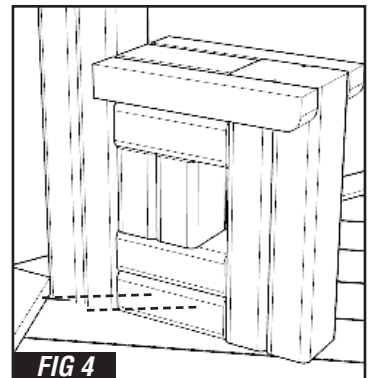


FIG 4

NOTES:

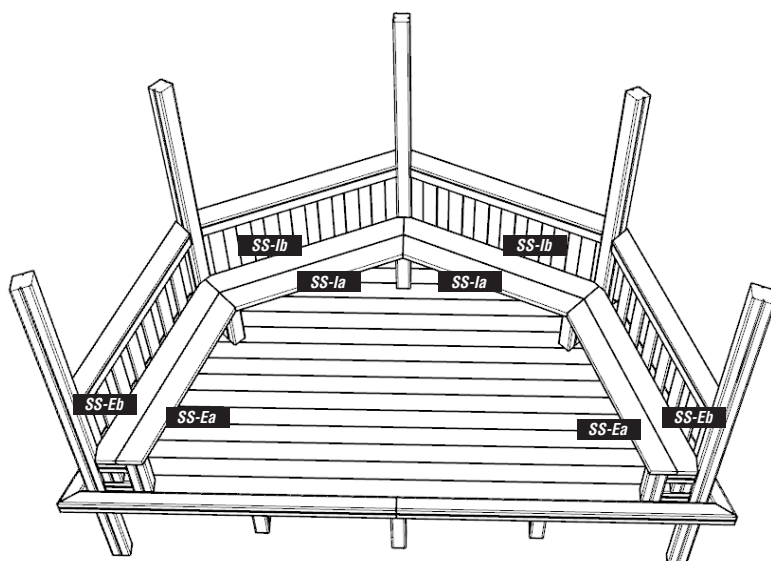
USE 2 X M8X120MM WOOD SCREWS TO SCREW INTO THE UPRIGHT TIMBER - FIG 3

FURTHER SECURE USING 2 X M8X120MM WOOD SCREWS, POSITION THESE SCREWS ON THE 'INSIDE' AND SCREW INTO THE GROOVE - FIG 4

21

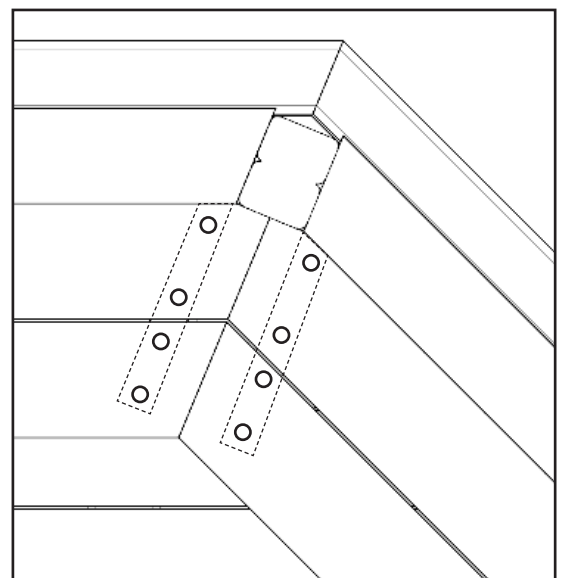
ATTACH SEAT SECTIONS - SS-I & SS-E

USING 4X M8X80MM WOOD SCREWS PER SLAT, SEAT SECTIONS ARE IN SETS - a / b



NOTES:

SCREW INTO THE 43X43 TIMBER SUPPORTS EITHER SIDE OF THE SEAT SUPPORT 'UPRIGHT'



INSTALLATION INSTRUCTIONS

22

INSTALLATION COMPLETE

PLEASE CHECK ALL SCREWS COUNTERSUNK / NEAT SAND ANY TIMBERS AS REQUIRED

