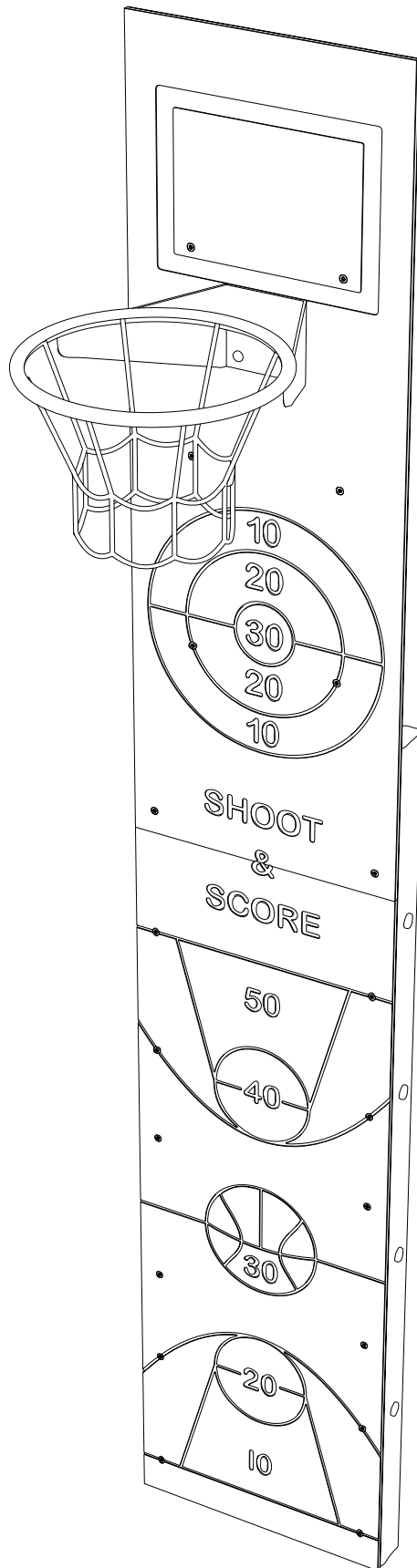


PB107(A) - 3.4M BASKETBALL & TARGET

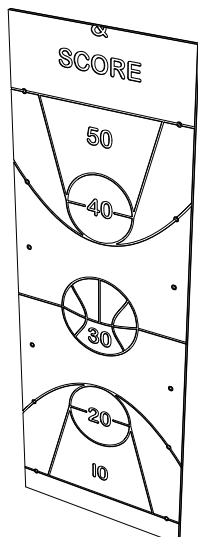
Installation Instructions



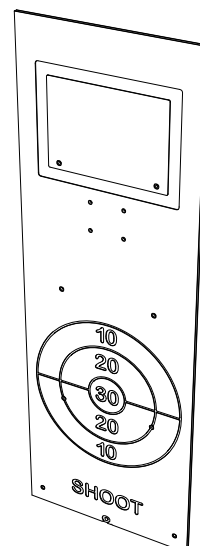
PARTS REQUIRED



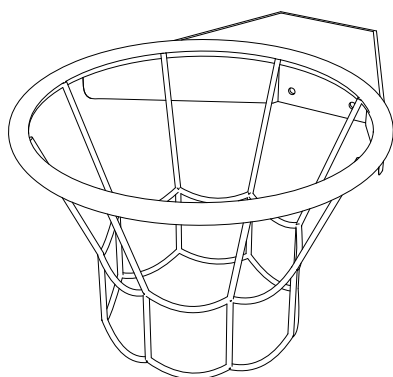
PB107(A) - 1 [X4]



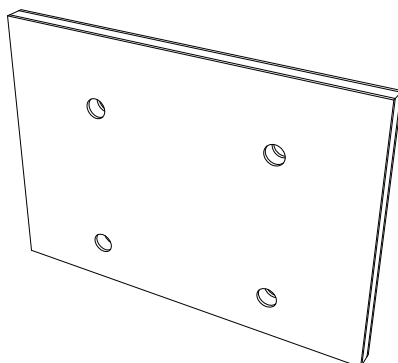
BOTTOM PLAYTEC PANEL



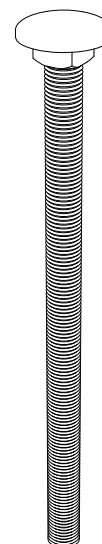
TOP PLAYTEC PANEL



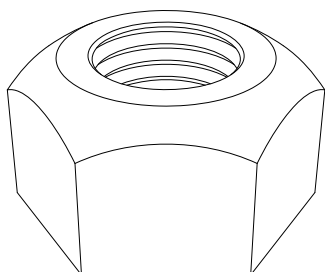
NET



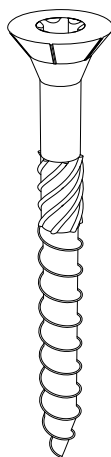
PLAYTEC SUPPORT



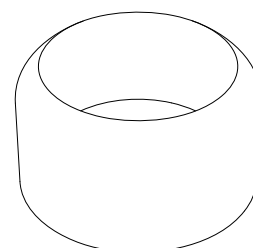
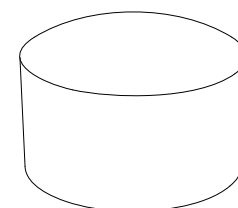
M12X200 [X8]



349.656.M12 [X8]

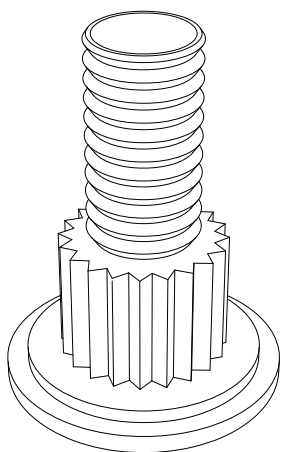


349.97.M8X80CSK [X20]

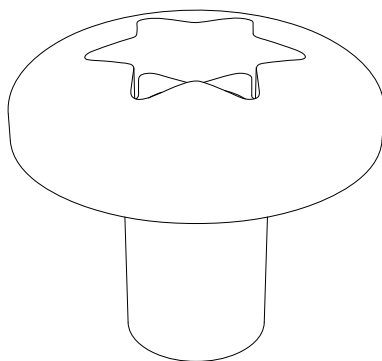


102003-01 [X8]

PARTS REQUIRED:

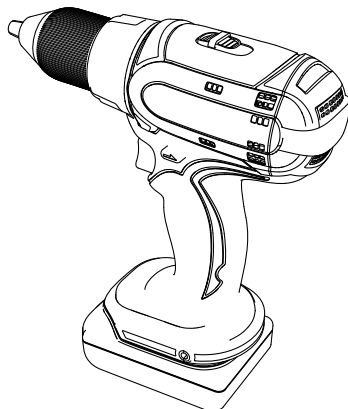
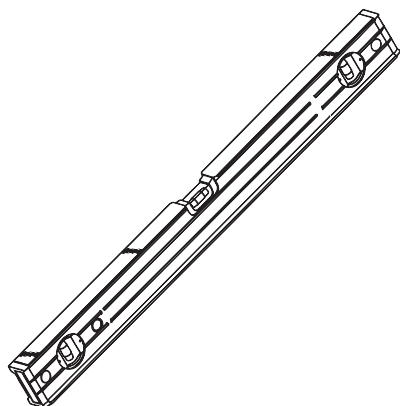


3B [X4]

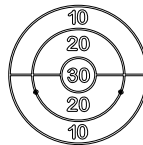
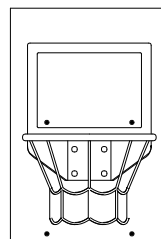
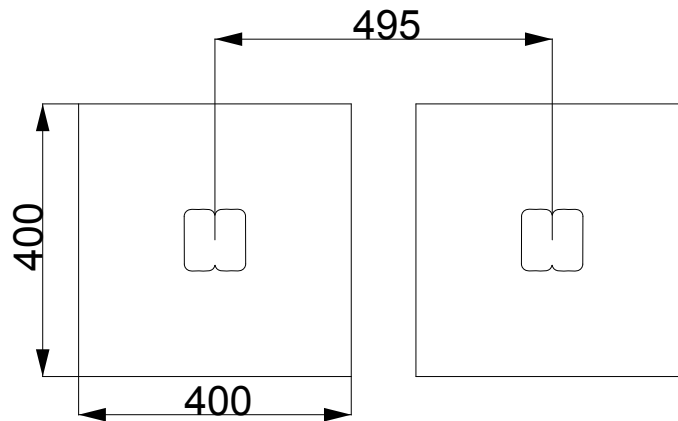


N3 [X4]

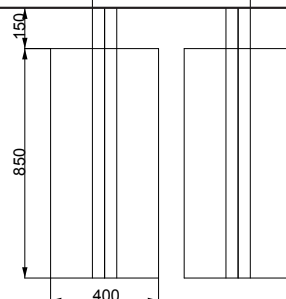
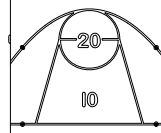
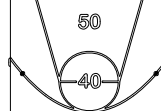
TOOLS REQUIRED



FOUNDATION DETAIL

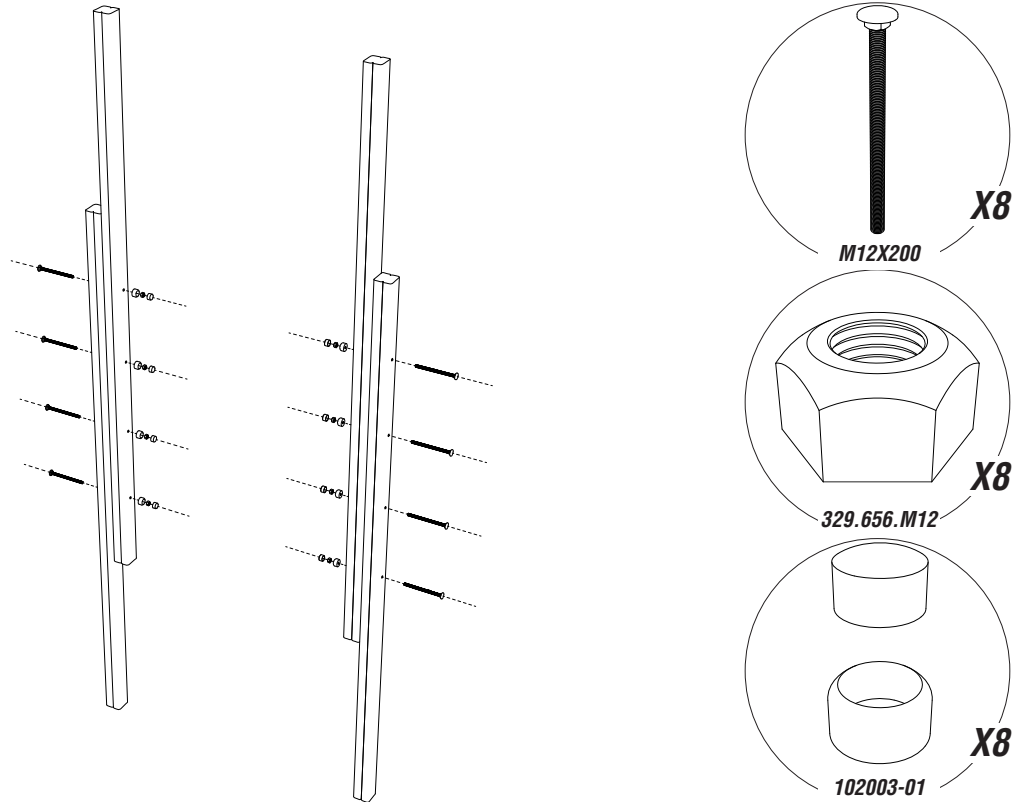


SHOOT
&
SCORE

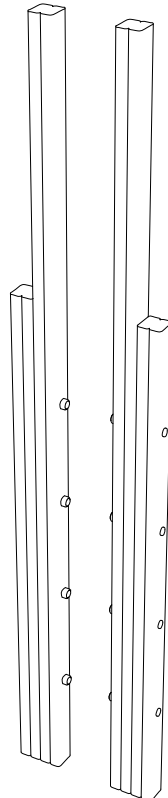


INSTALLATION INSTRUCTIONS

1 BOLT PB107(A)-1 TIMBERS TOGETHER USING M12X200, 329.656.M12 AND 102003-01



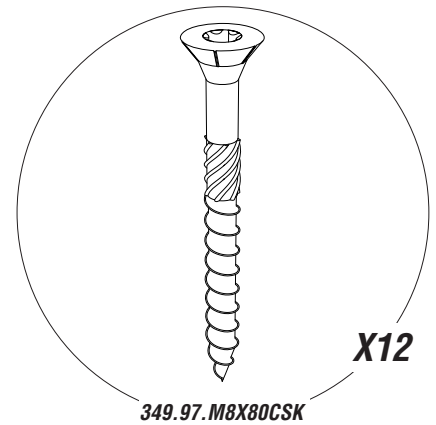
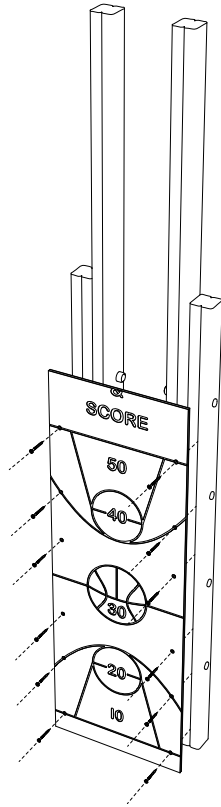
2 INSTALL PB107(A)-1 INTO GROUND ENSURE THE **IN GROUND** TIMBERS ARE ON THE **OUTSIDE** AND **END CAPS** ON THE **INSIDE**



INSTALLATION INSTRUCTIONS

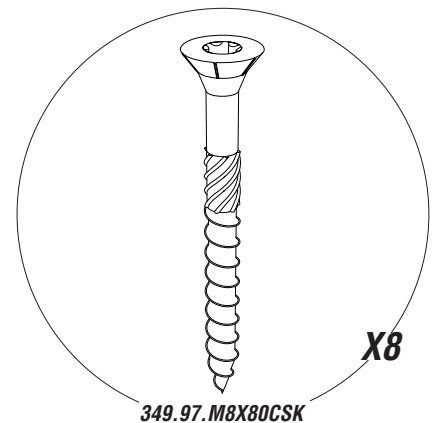
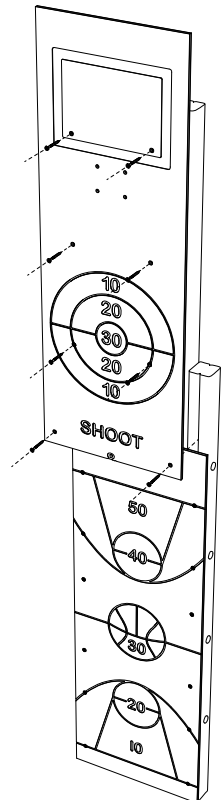
3

SCREW BOTTOM PLAYTEC PANEL TO TIMBER UPRIGHTS
USING 349.97.M8X80CSK



4

SCREW TOP PLAYTEC PANEL TO TIMBER UPRIGHTS
USING 349.97.M8X80CSK

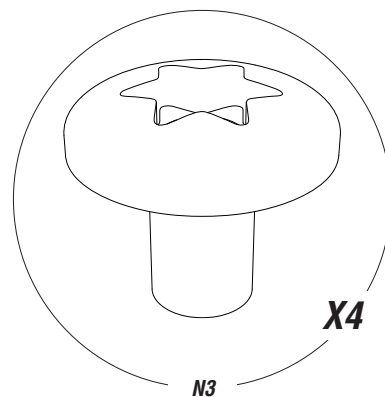
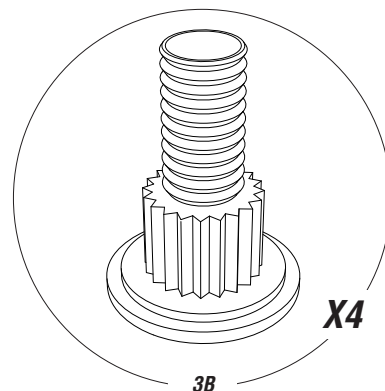
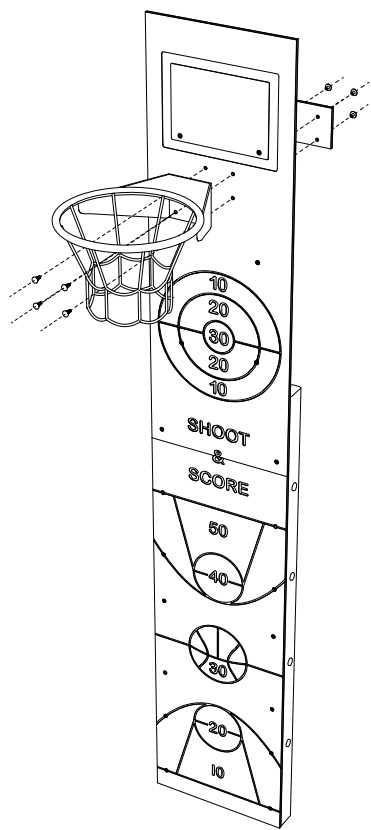


INSTALLATION INSTRUCTIONS

5

ATTACH NET TO PANEL

USING 3B/N3 AND PLAYTEC SUPPORT PANEL



ADDITIONAL DIMENSIONS

