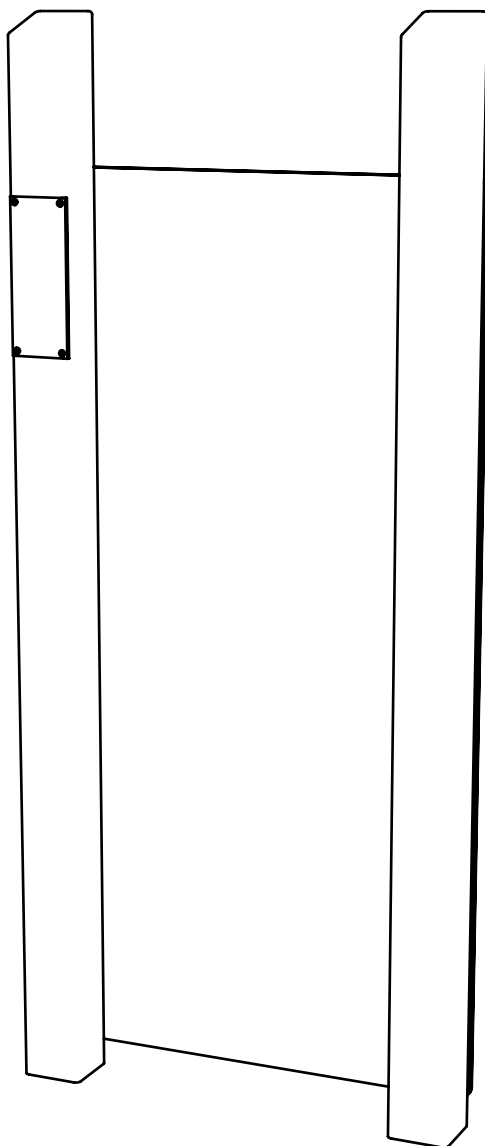


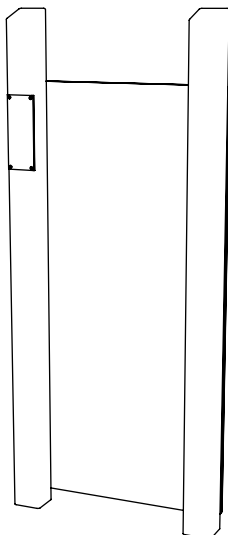
GYM209 - STATIC WALL - ADULT

Installation Instructions

**creative
play**

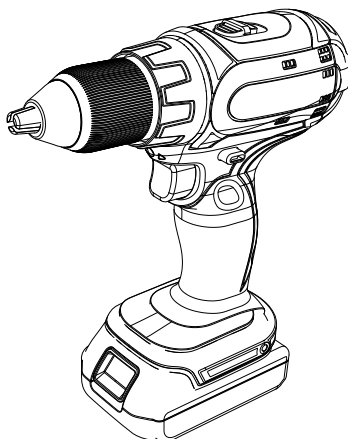
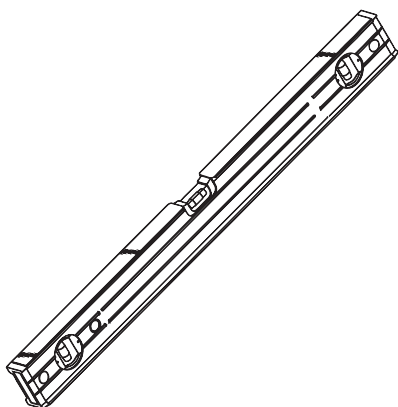


PARTS REQUIRED

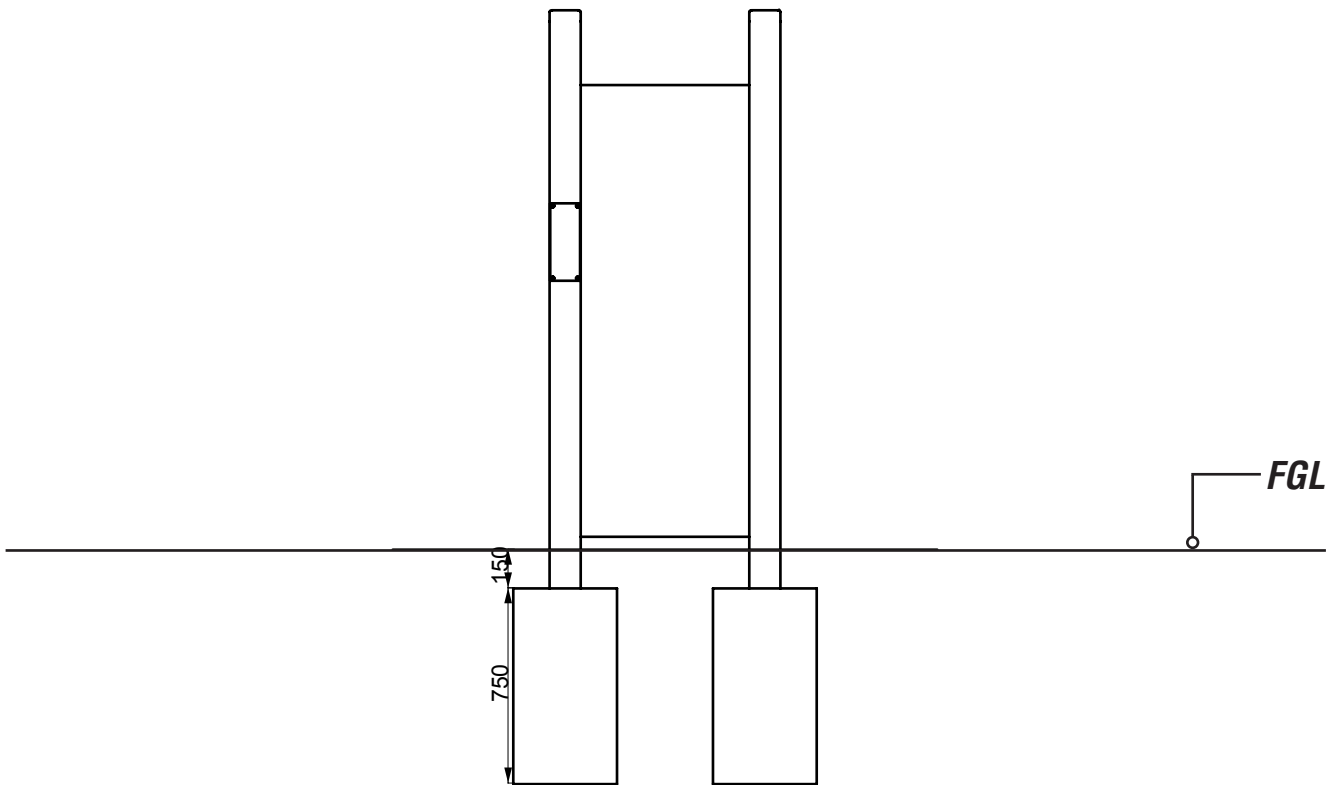
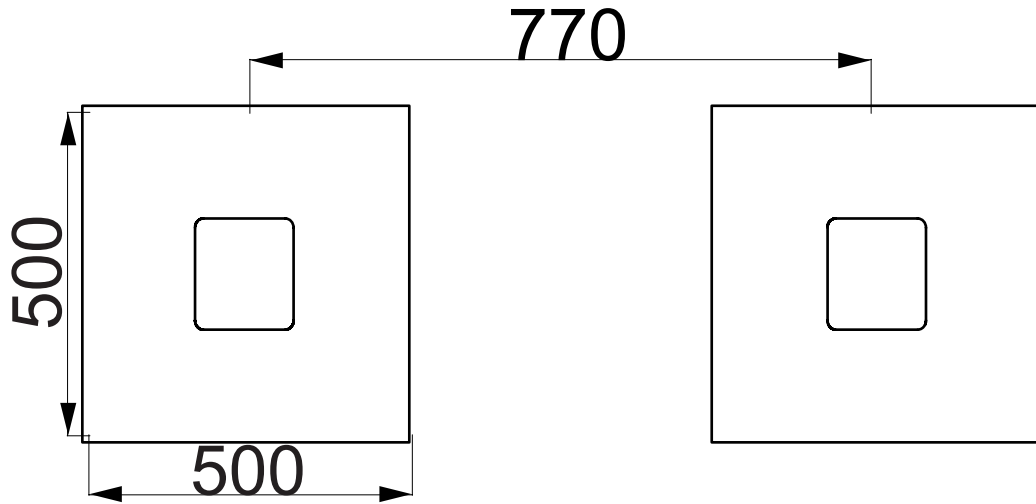


GYM109

TOOLS REQUIRED



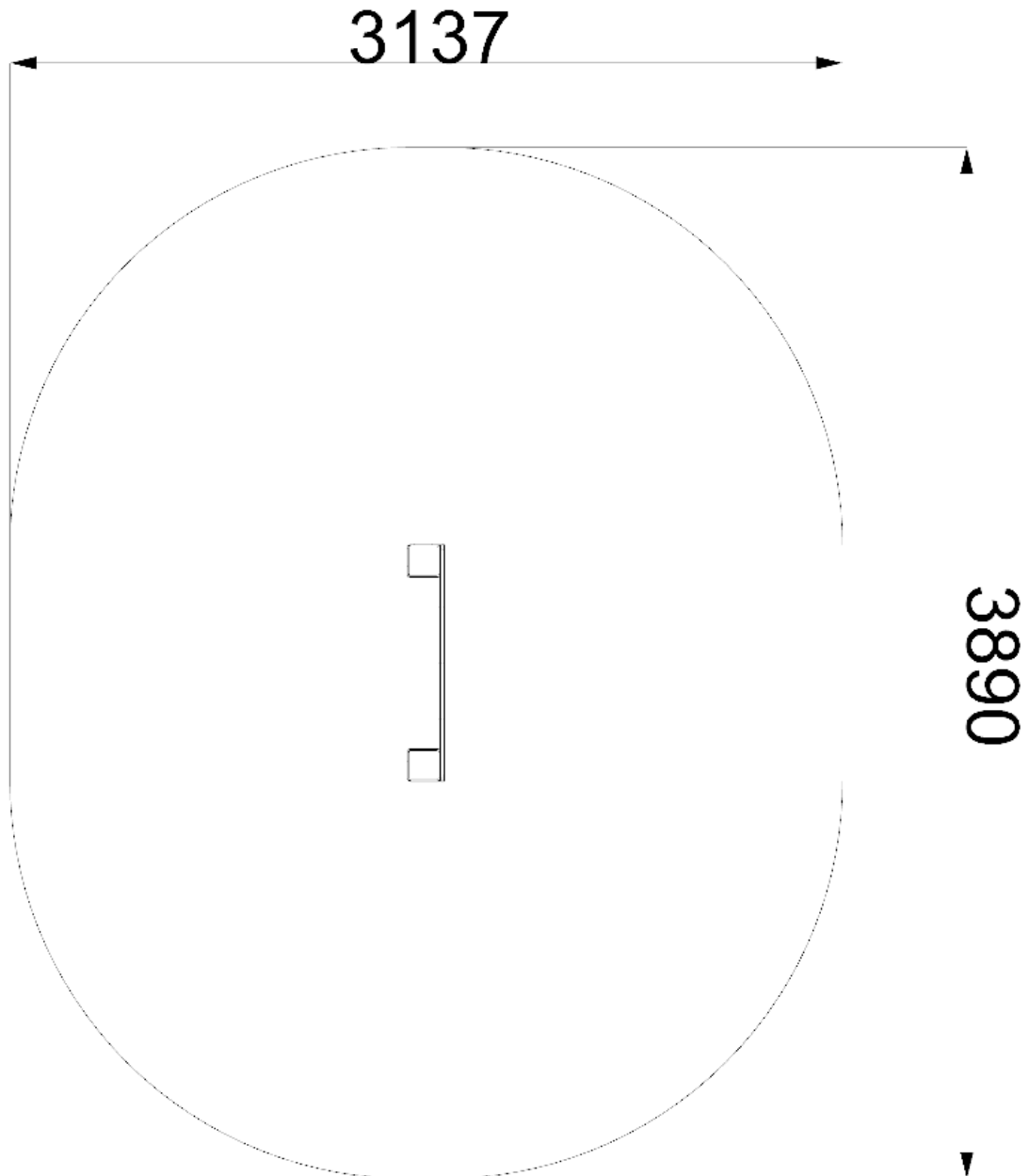
FOUNDATION DETAIL



SURFACING - OVERALL AREA

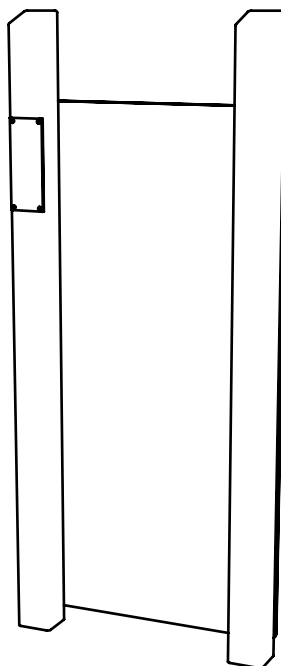
----- = EN16630 STANDARD

————— = EN11-76/77 STANDARD



INSTALLATION INSTRUCTIONS

1 INSTALL GYM209 INTO THE GROUND



ADDITIONAL MEASUREMENTS

