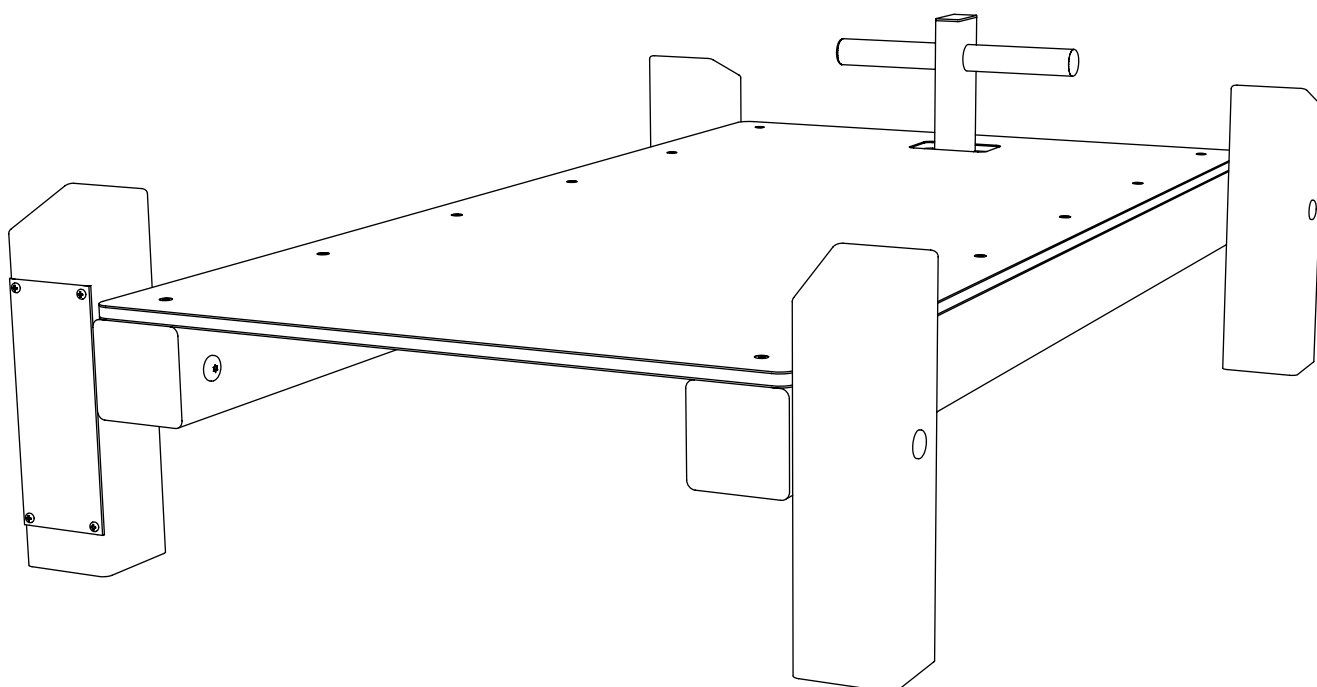


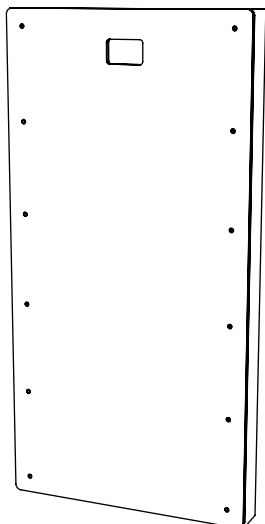
GYM205L - SIT UPS - ADULT

Installation Instructions

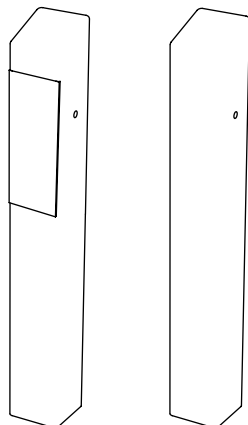
**creative
play**



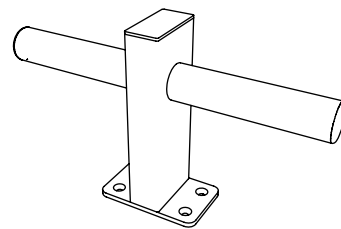
PARTS REQUIRED



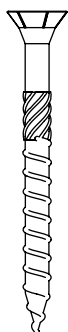
PRE-ASSEMBLED PANEL



GYM205L-A & GYM205L-B



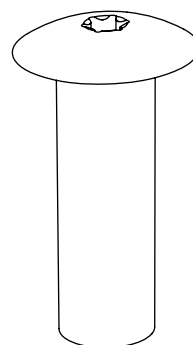
SIT UP BAR [X1]



M8 X 80 SCREWS [X4]

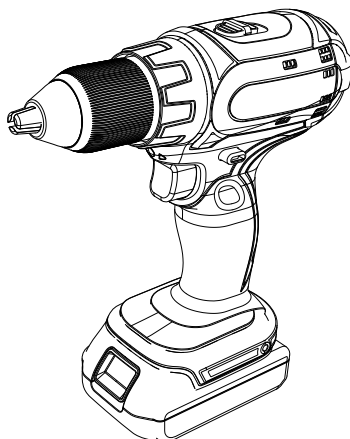
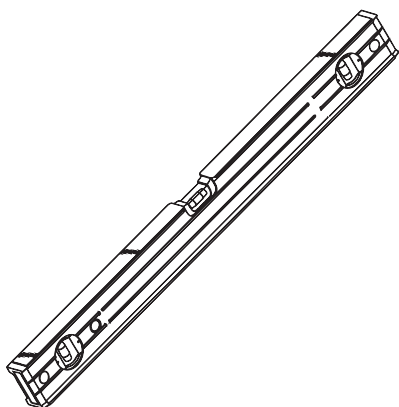


M12X240 BOLTS [X4]

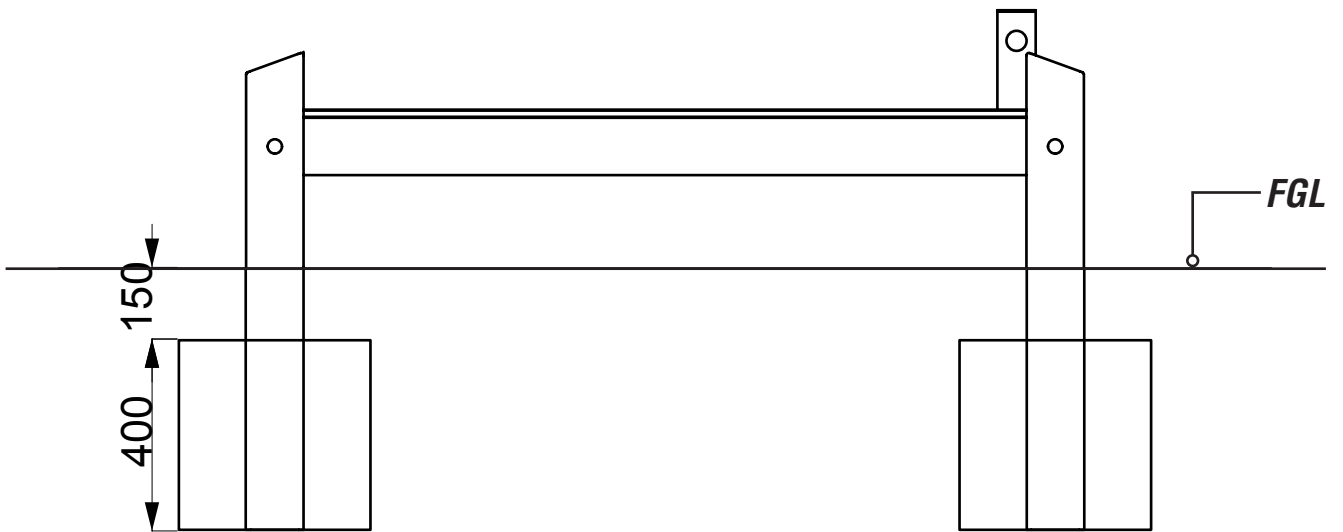
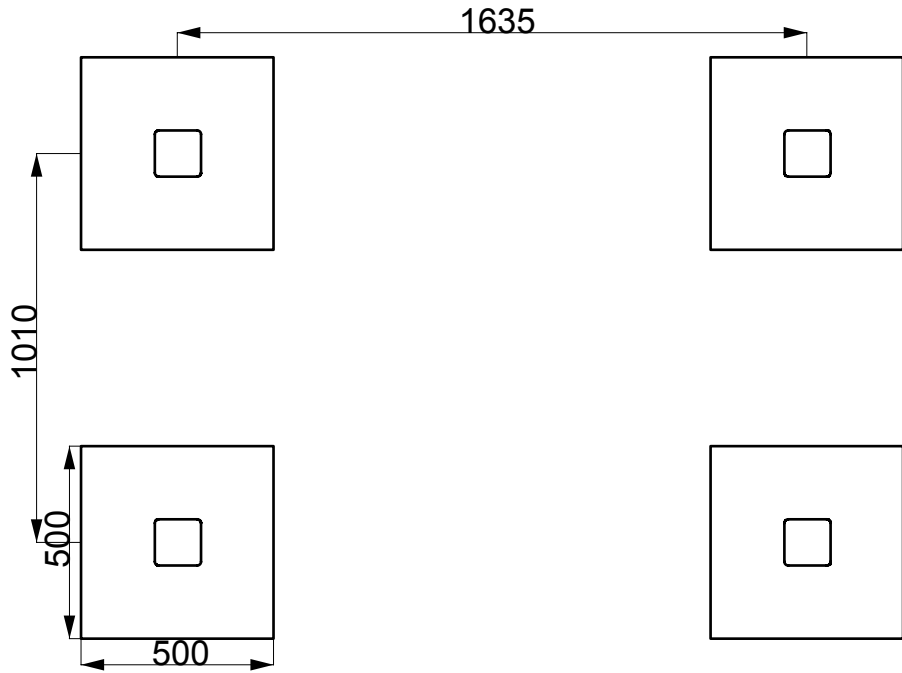


SOCKET NUTS [X4]

TOOLS REQUIRED



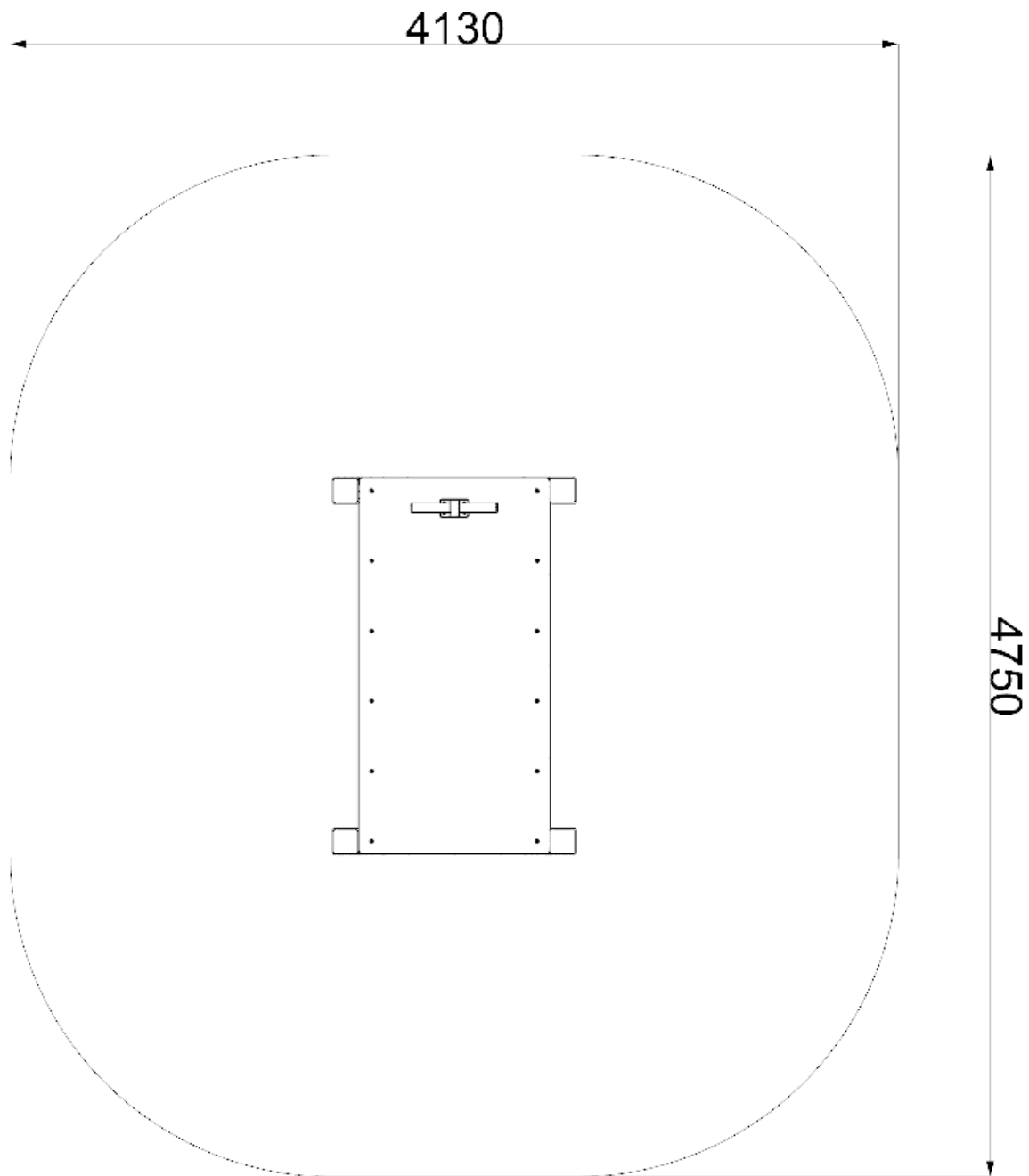
FOUNDATION DETAIL



SURFACING - OVERALL AREA

----- = EN16630 STANDARD

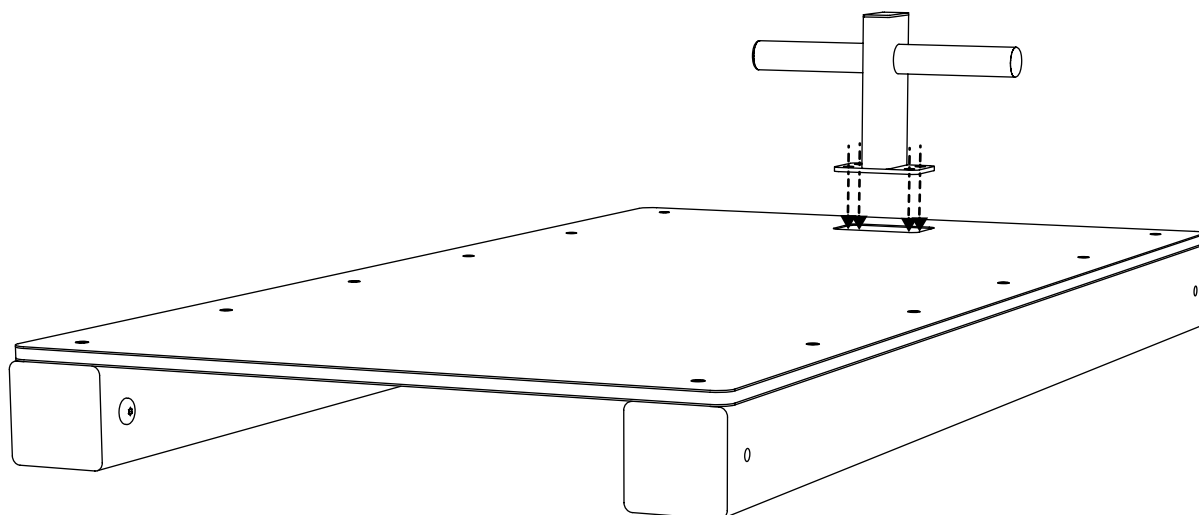
————— = EN11-76/77 STANDARD



INSTALLATION INSTRUCTIONS

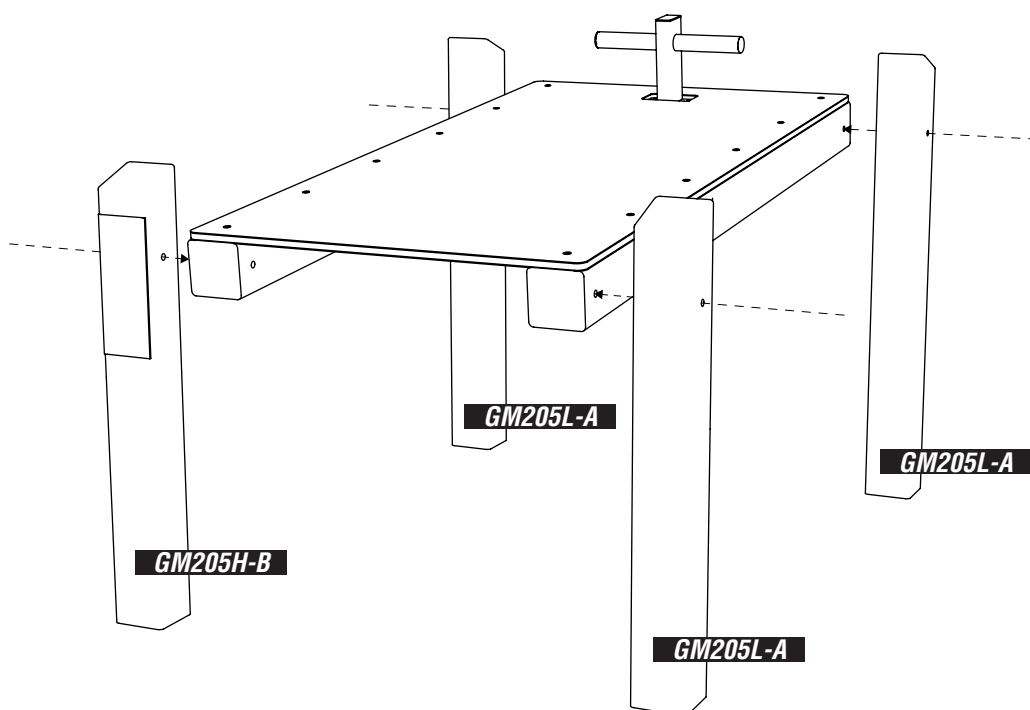
1

ATTACH SIT UP BAR TO PRE-ASSEMBLED PANEL
USING M8X80 SCREWS



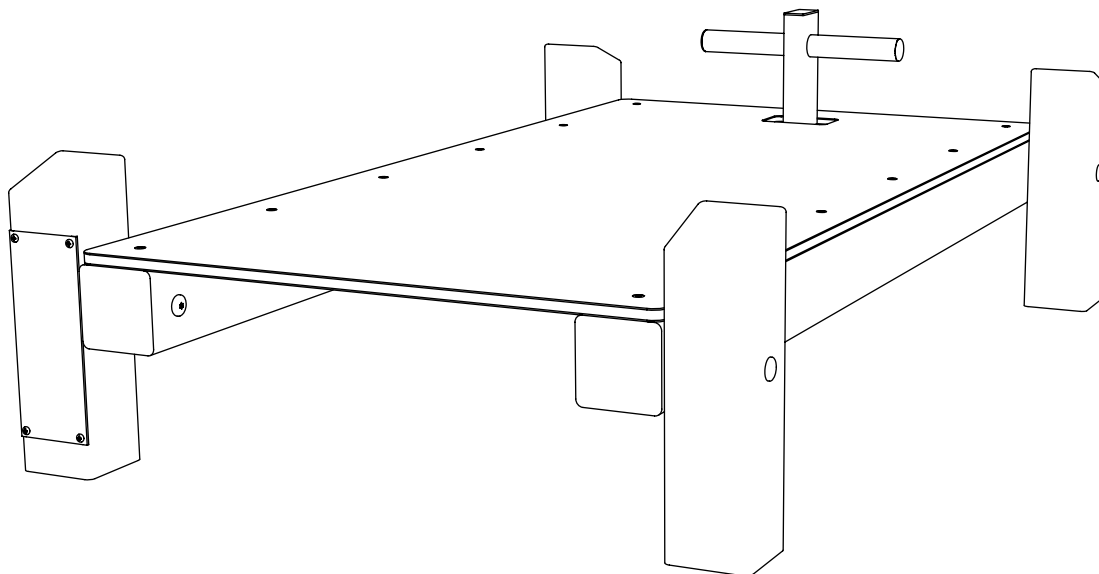
2

ATTACH PRE-ASSEMBLED PANEL TO GM205H-A AND GM205H-B
USING M12X240 BOLTS AND SOCKET NUTS



INSTALLATION INSTRUCTIONS

3 INSTALL GM205L INTO THE GROUND



ADDITIONAL MEASUREMENTS

