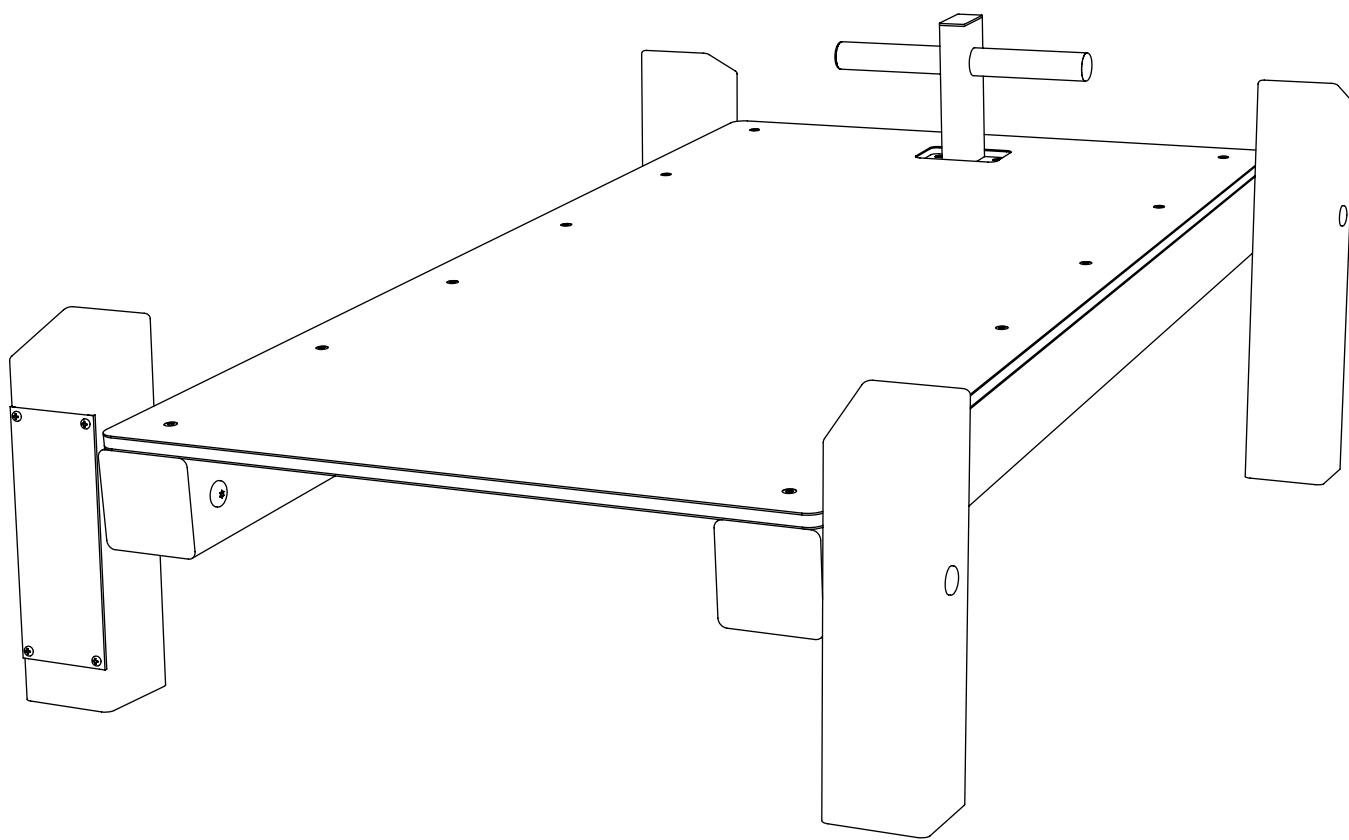
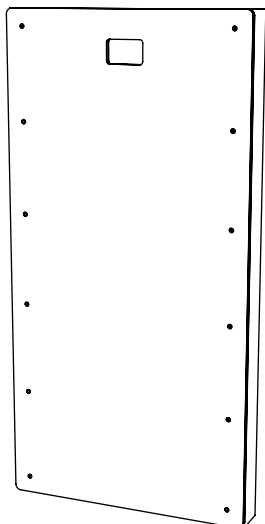


GYM205H - SIT UPS (INCLINED) - ADULT ***Installation Instructions***

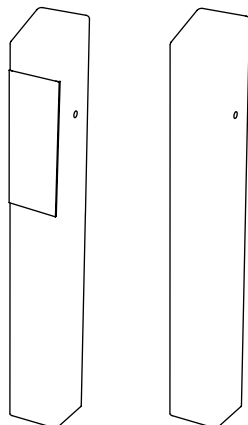
***creative
play***



PARTS REQUIRED



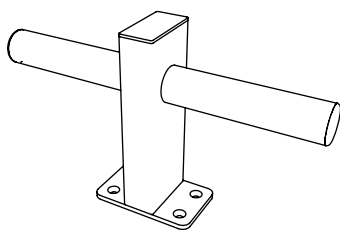
PRE-ASSEMBLED PANEL



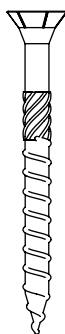
GYM205H-A & GYM205H-B



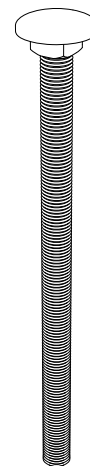
GYM205H-C [X5]



SIT UP BAR [X1]

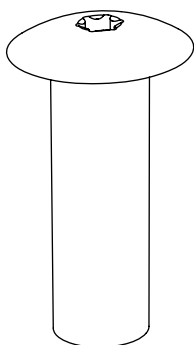


M8 X 80 SCREWS [X4]

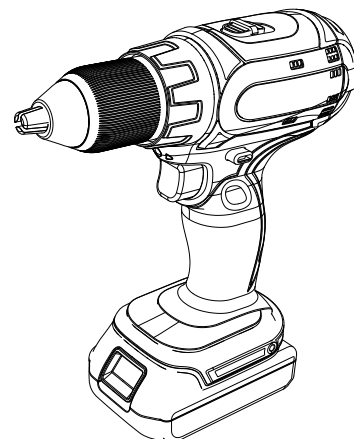
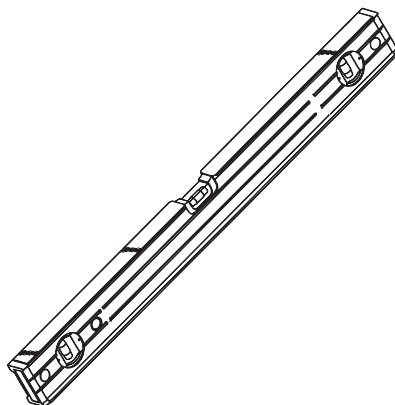


M12X240 BOLTS [X4]

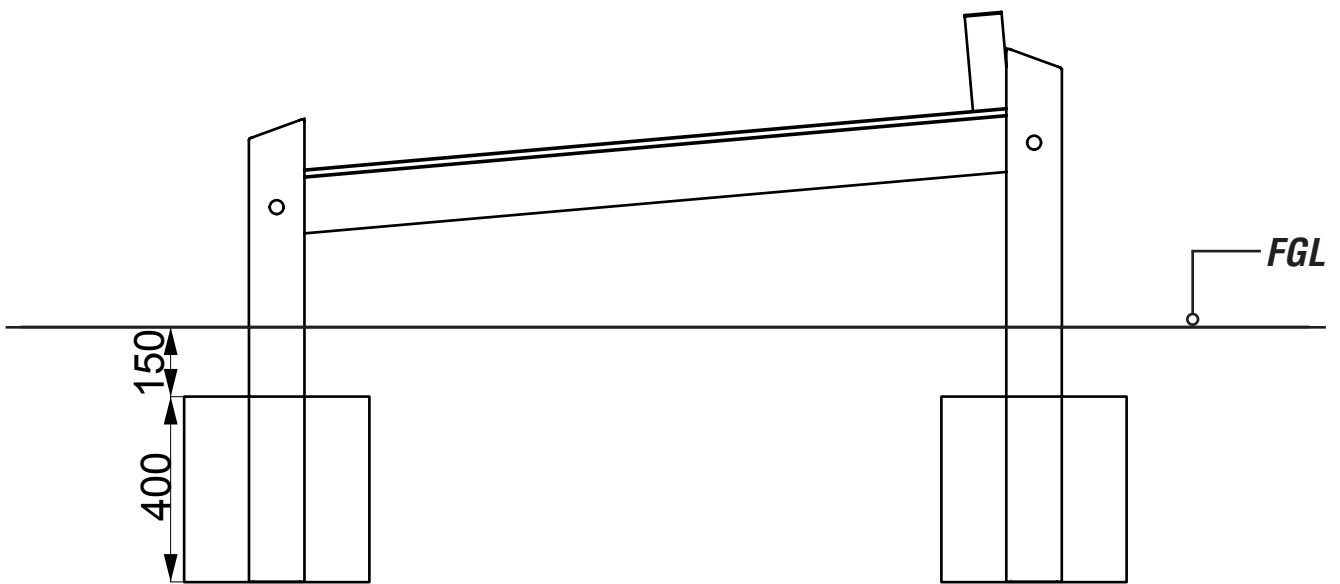
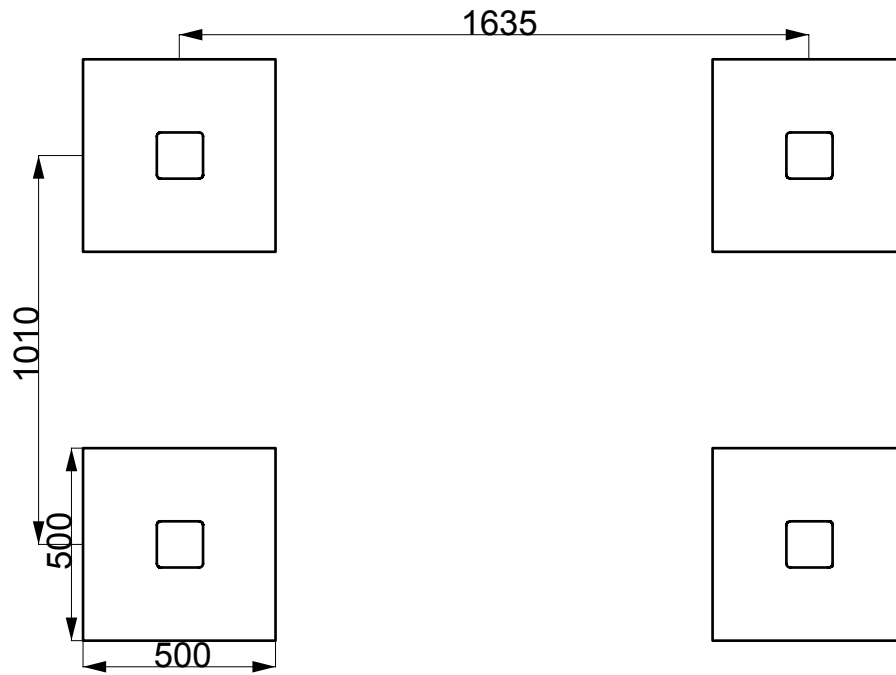
TOOLS REQUIRED



SOCKET NUTS [X4]



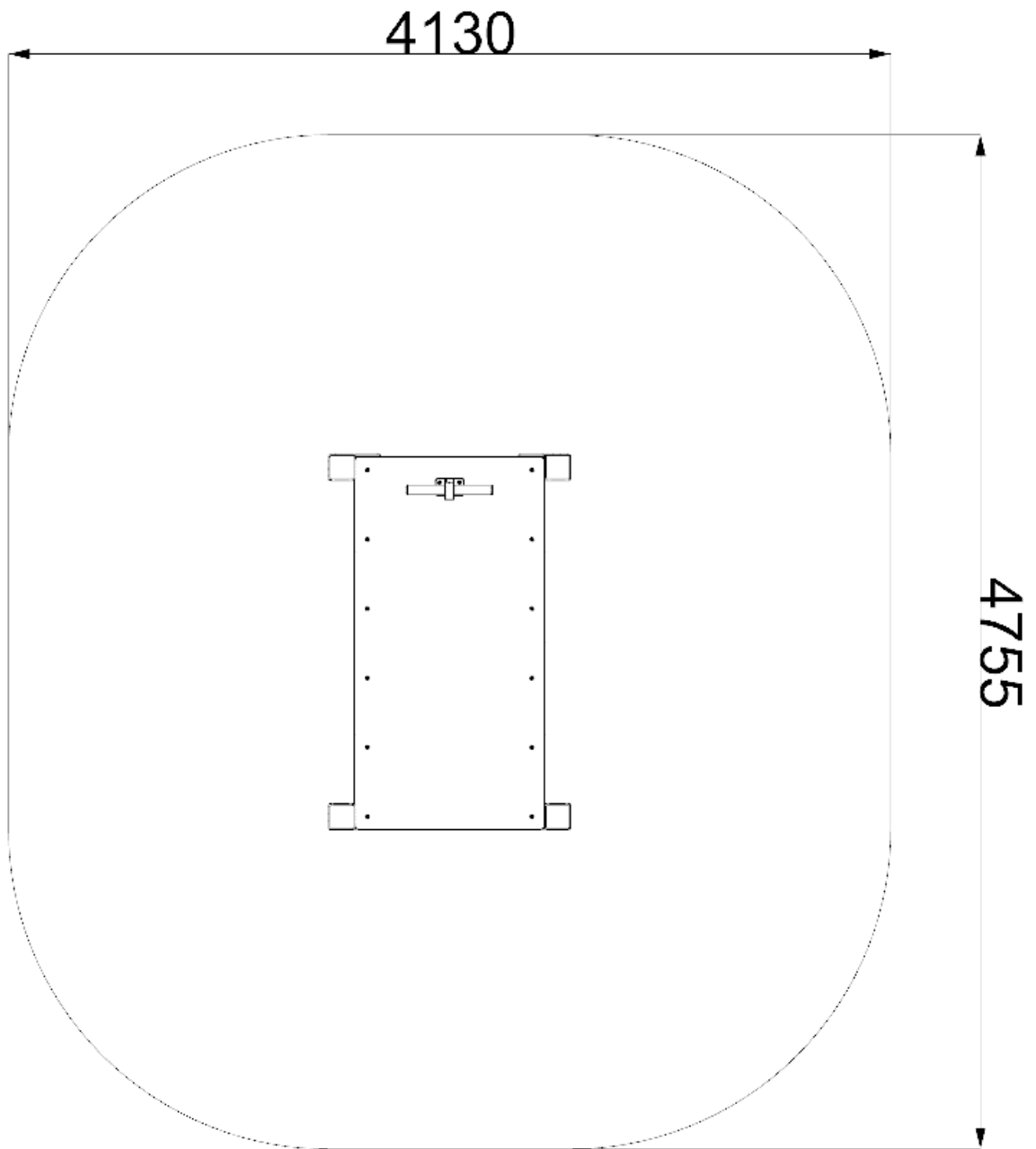
FOUNDATION DETAIL



SURFACING - OVERALL AREA

----- = EN16630 STANDARD

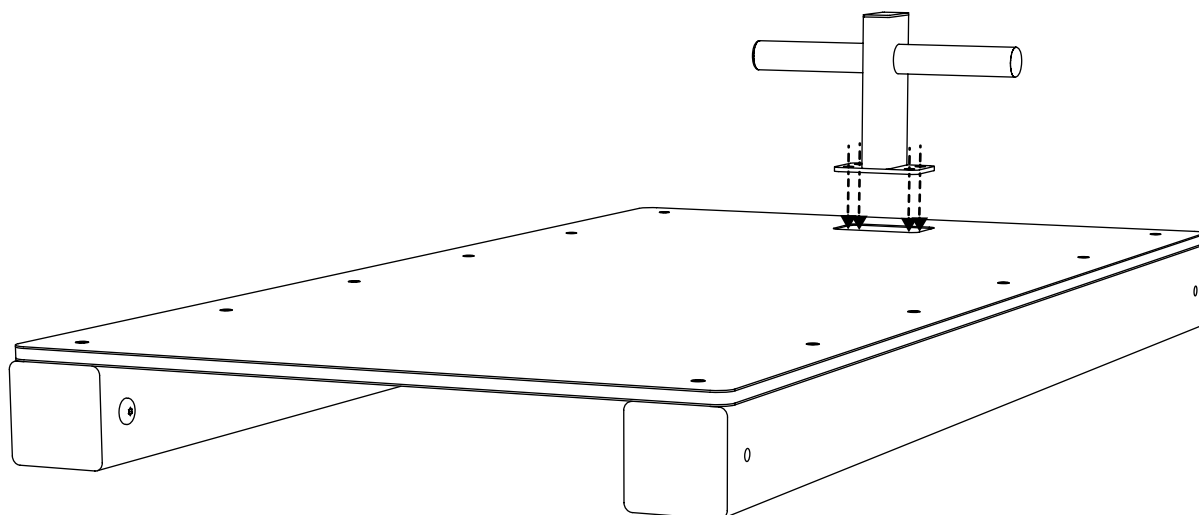
————— = EN11-76/77 STANDARD



INSTALLATION INSTRUCTIONS

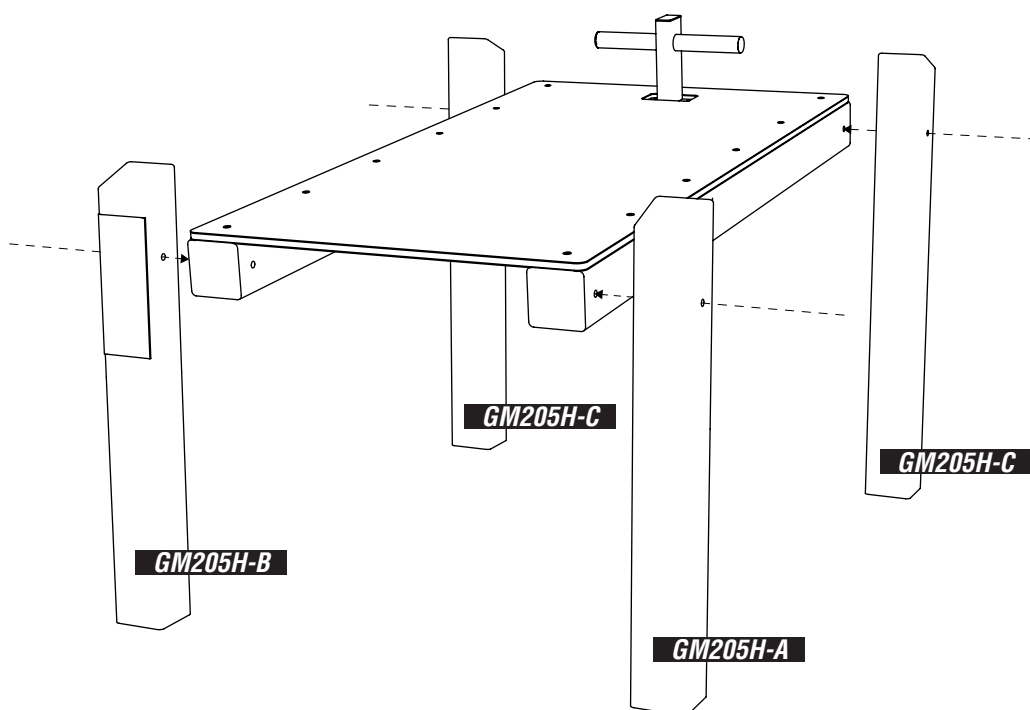
1

ATTACH SIT UP BAR TO PRE-ASSEMBLED PANEL
USING M8X80 SCREWS



2

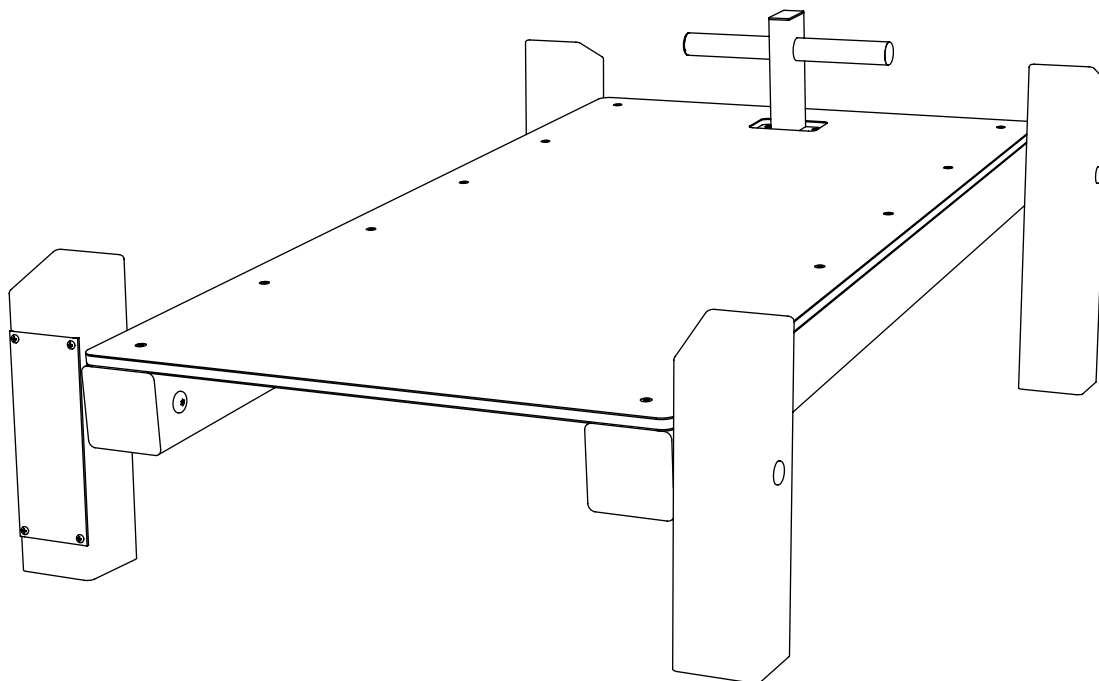
ATTACH PRE-ASSEMBLED PANEL TO GM205H-A, GM205H-B AND GM205H-C
USING M12X240 BOLTS AND SOCKET NUTS



INSTALLATION INSTRUCTIONS

3

INSTALL GM205H INTO THE GROUND



ADDITIONAL MEASUREMENTS

