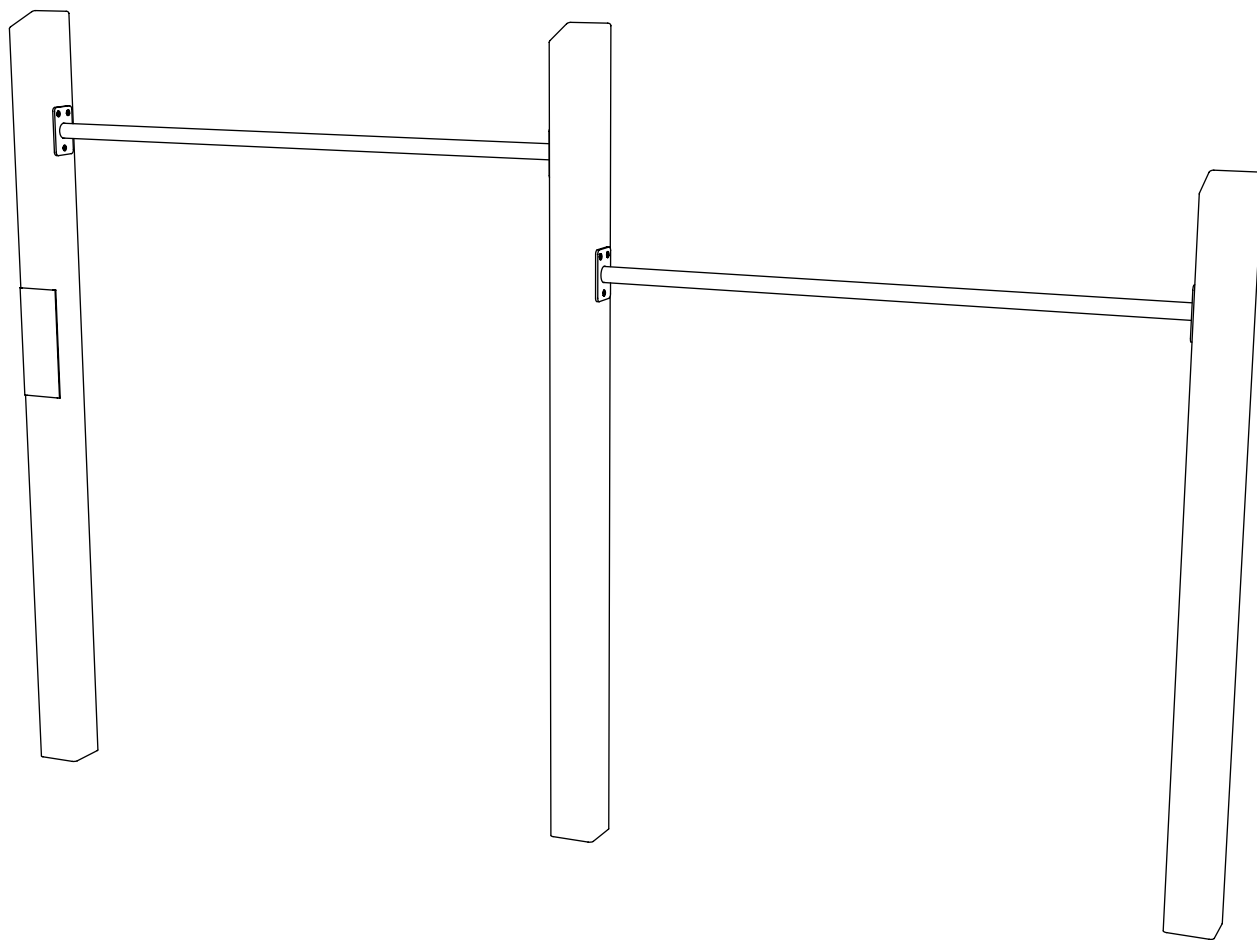


# **GYM202 - PULL UP BARS - ADULT**

## ***Installation Instructions***

**creative  
play**



# PARTS REQUIRED

---



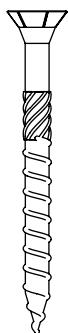
**GYM202-A & GYM202-B**



**GYM202-C**



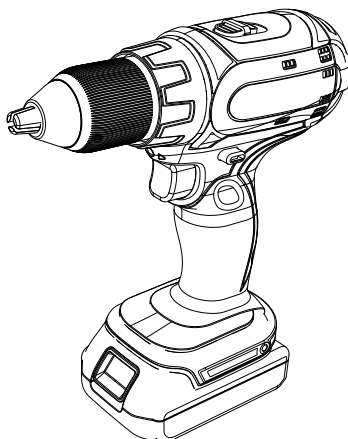
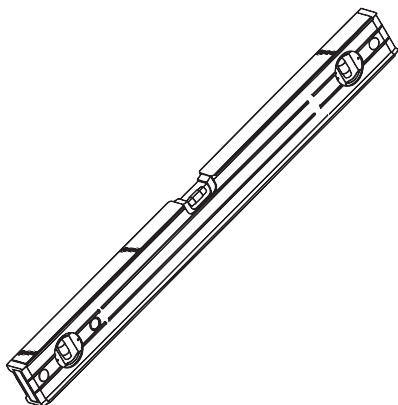
**STANDARD BAR - 1480mm [X2]**



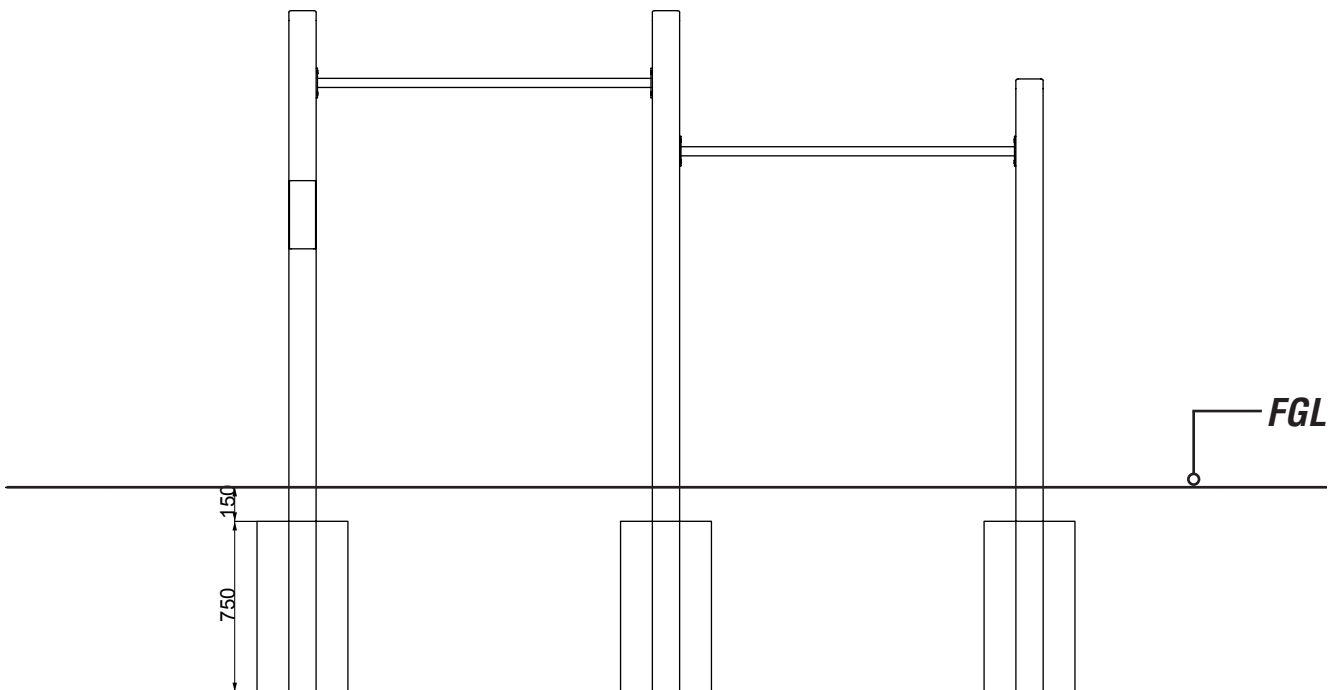
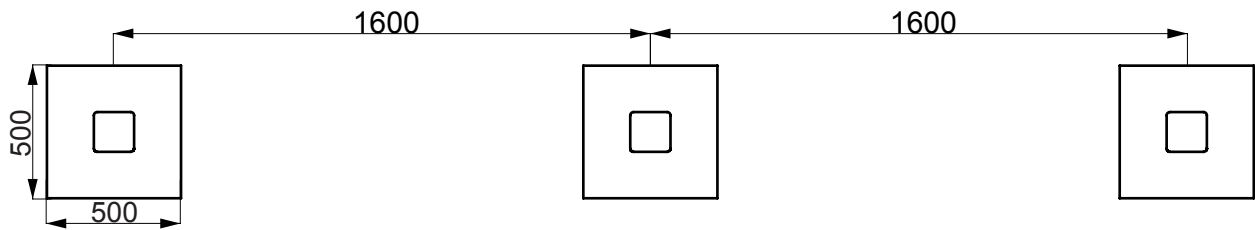
**M8 X 80 SCREWS [X12]**

# TOOLS REQUIRED

---



# FOUNDATION DETAIL

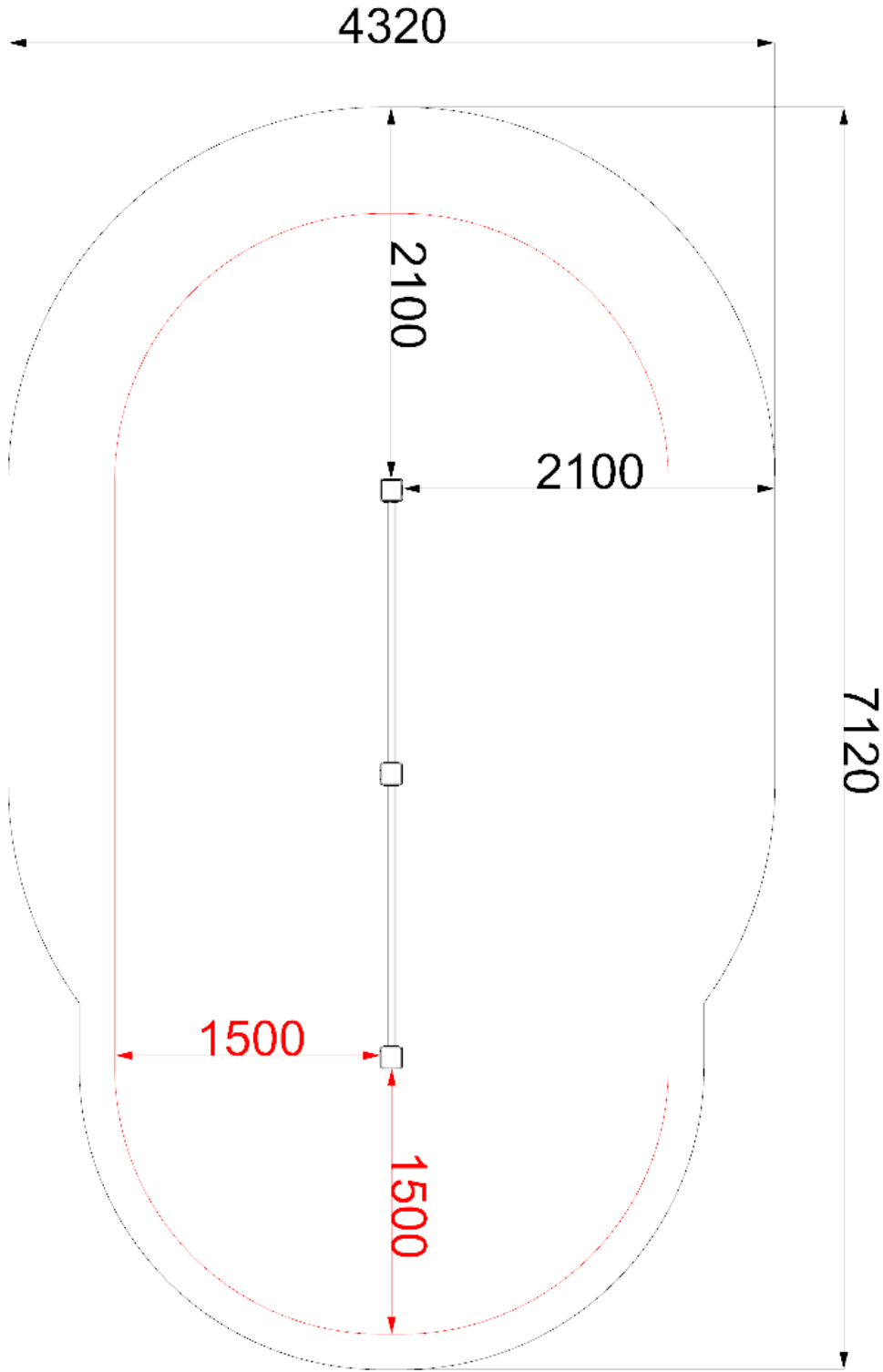


# ***SURFACING - OVERALL AREA***

---

**— = EN16630 STANDARD**

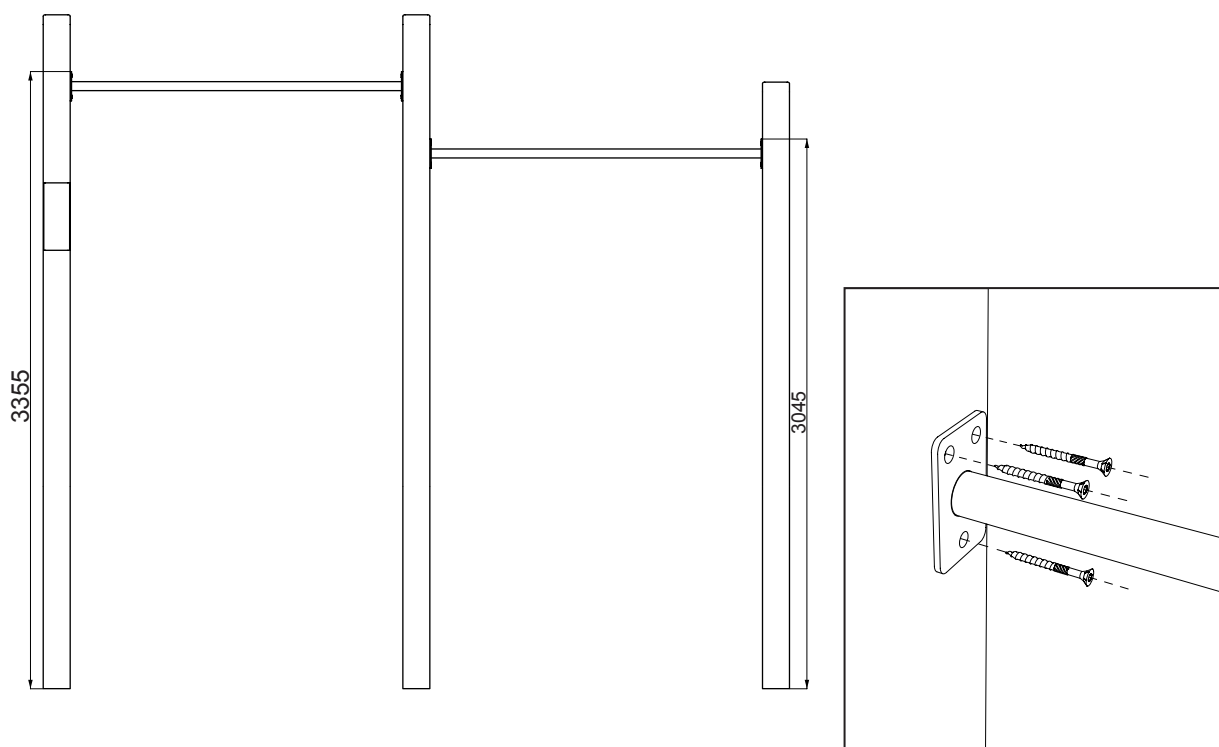
**— = EN11-76/77 STANDARD**



# INSTALLATION INSTRUCTIONS

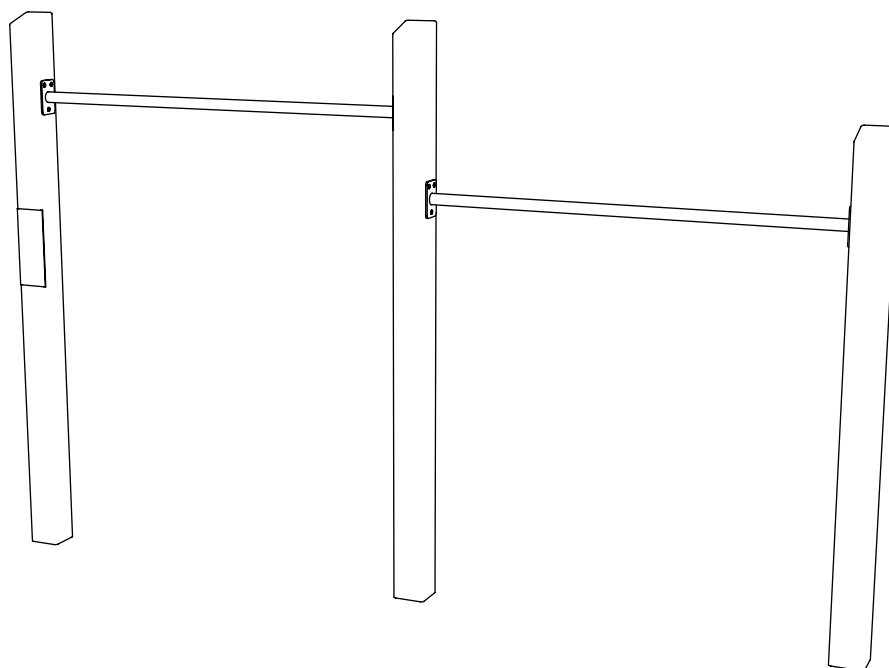
**1**

**ATTACH STANDARD BAR TO GM202-A, GM202-B AND GM202-C TIMBERS**  
USING M8X80 SCREWS



**2**

**INSTALL GYM202 INTO THE GROUND**



# ADDITIONAL MEASUREMENTS

---

