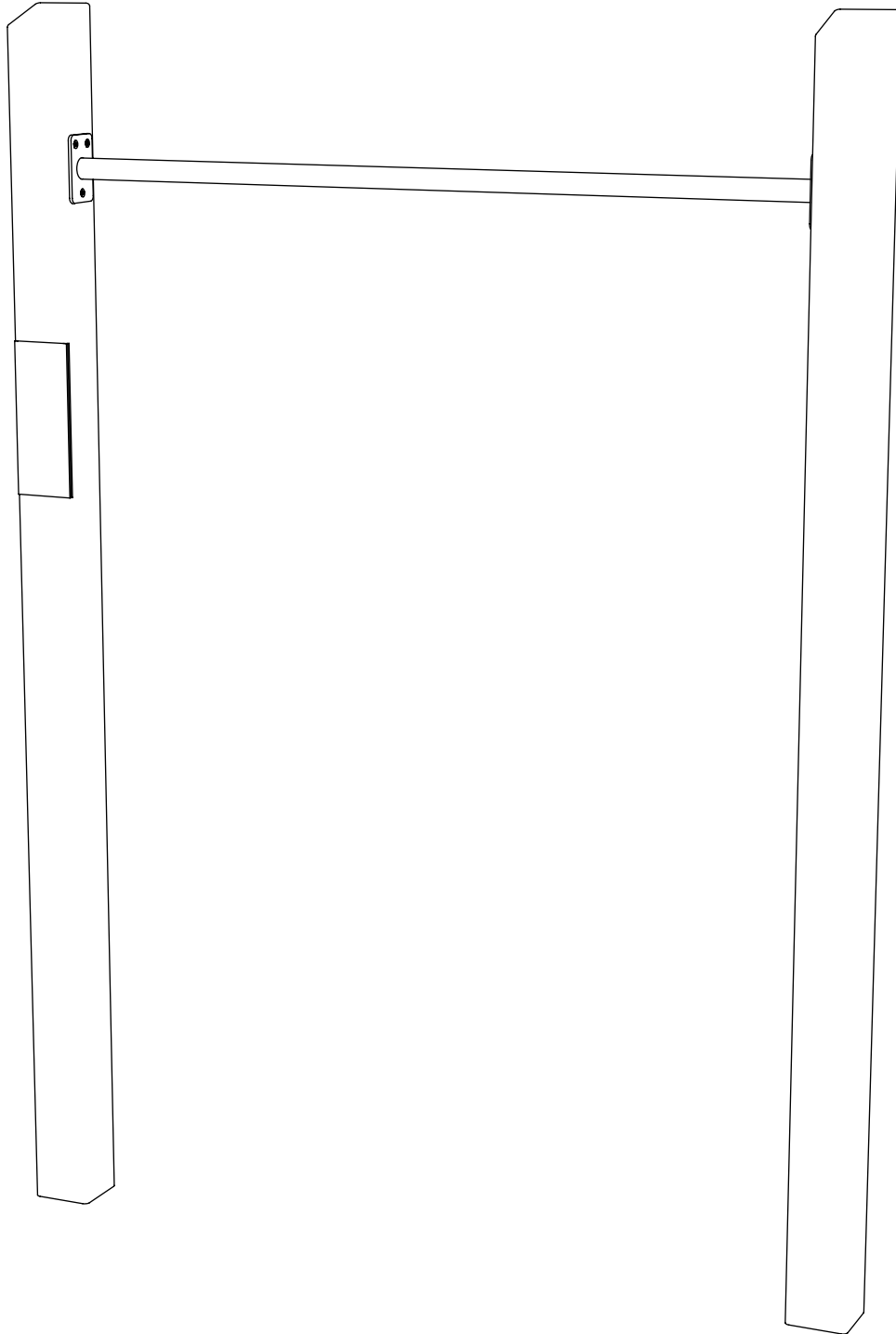


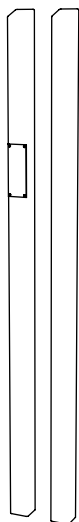
**GYM201L - CHIN UP BARS - ADULT (LOW)**  
***Installation Instructions***

**creative  
play**



# ***PARTS REQUIRED***

---



***GYM201L-A & GYM201L-B***



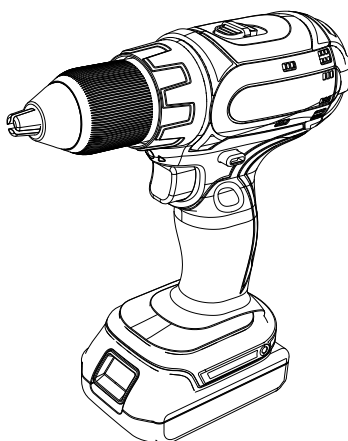
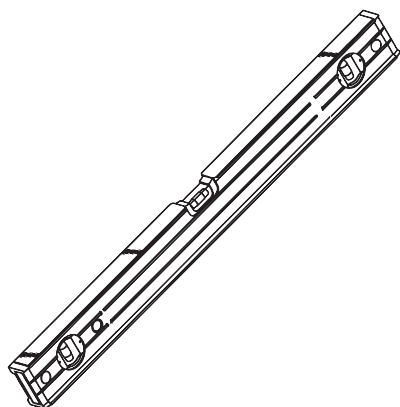
***STANDARD BAR - 1480mm [X1]***



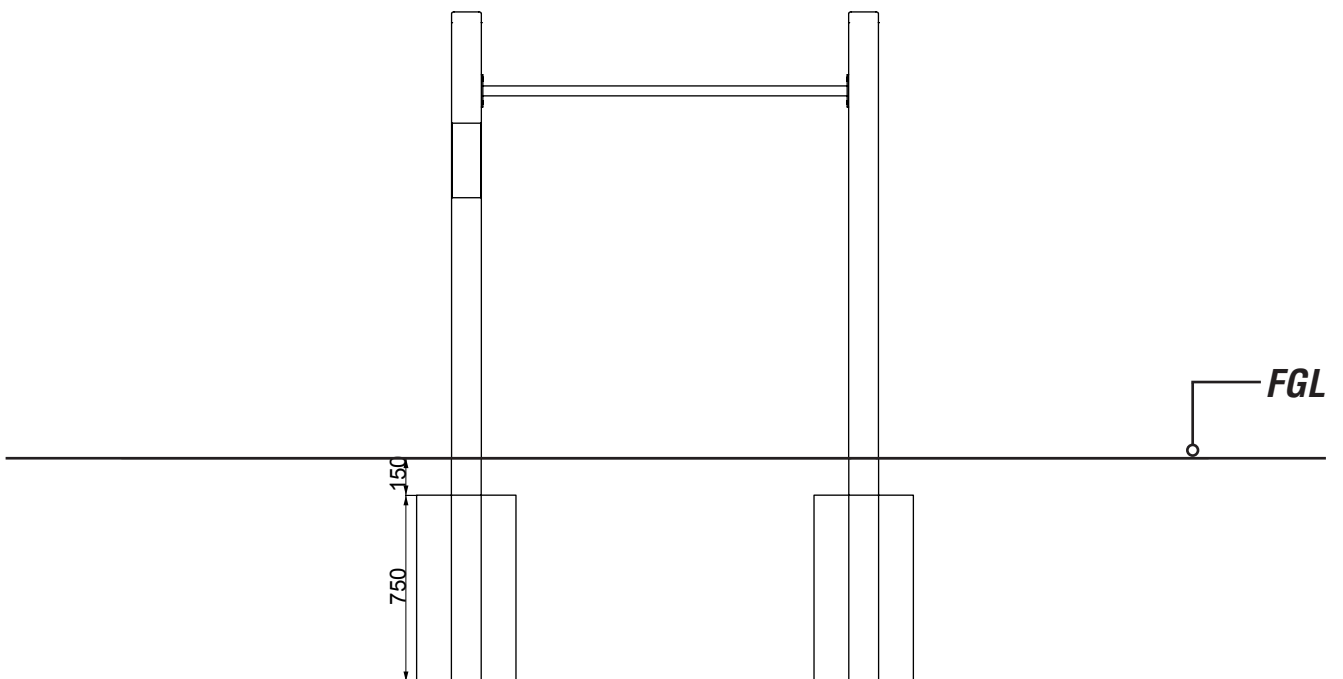
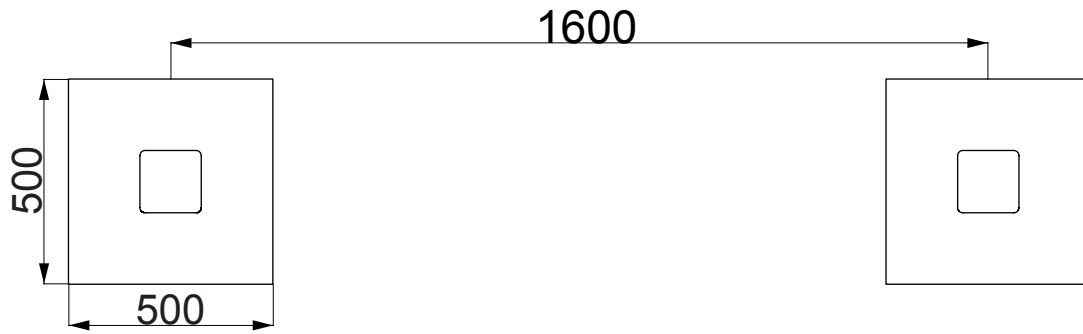
***M8 X 80 SCREWS***

# ***TOOLS REQUIRED***

---



# FOUNDATION DETAIL

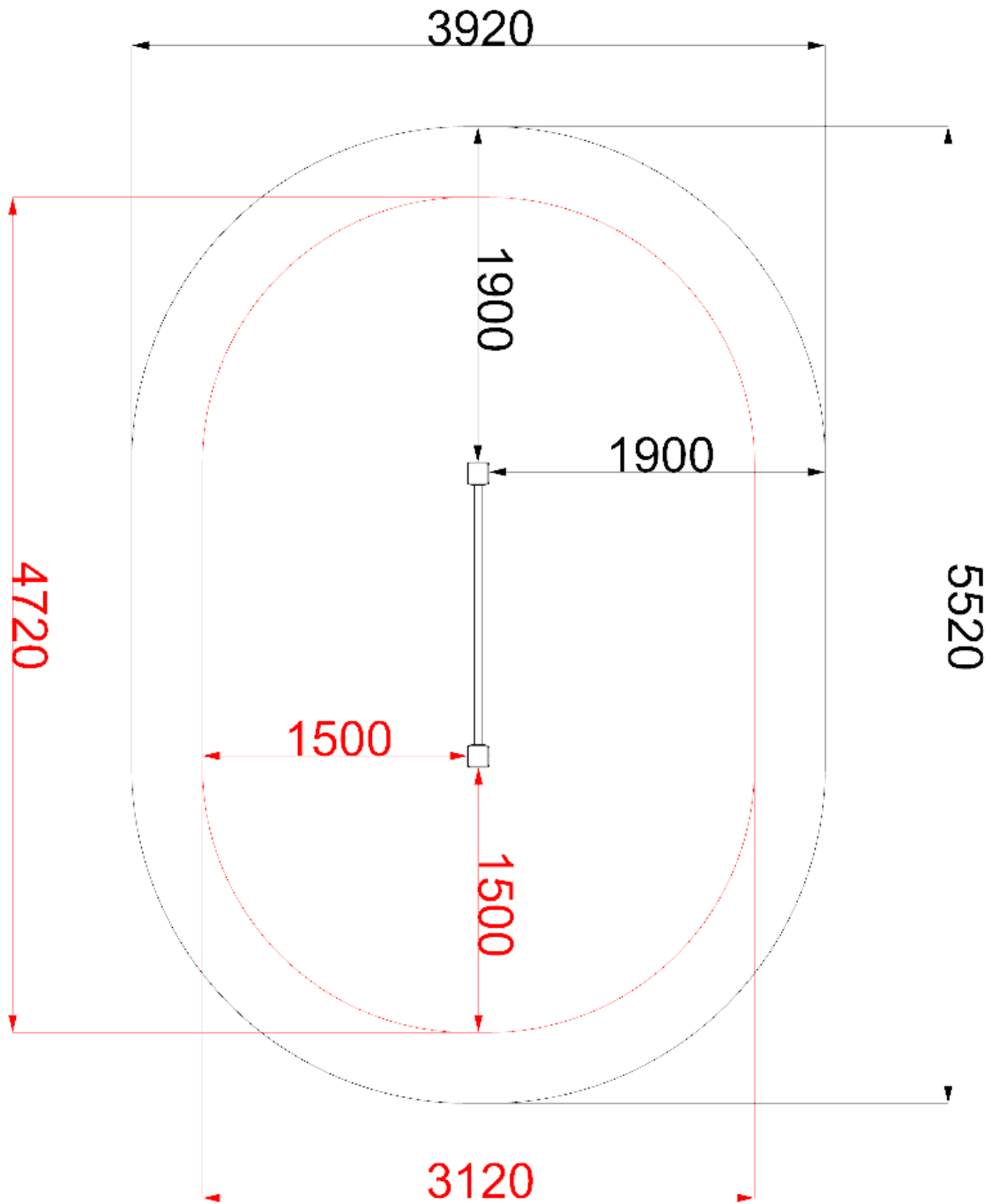


# ***SURFACING - OVERALL AREA***

---

**— = EN16630 STANDARD**

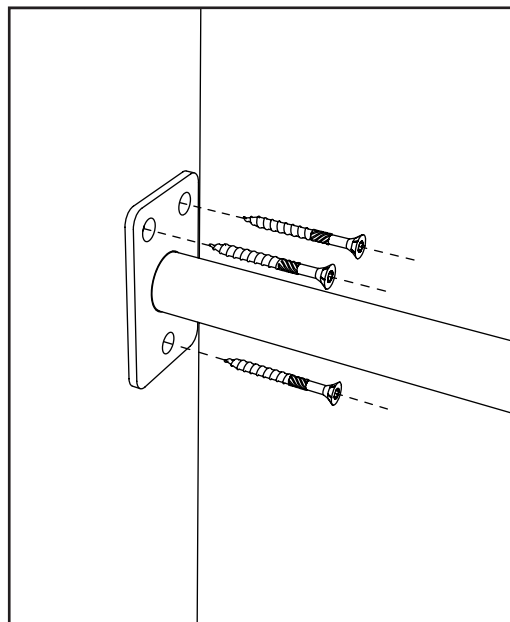
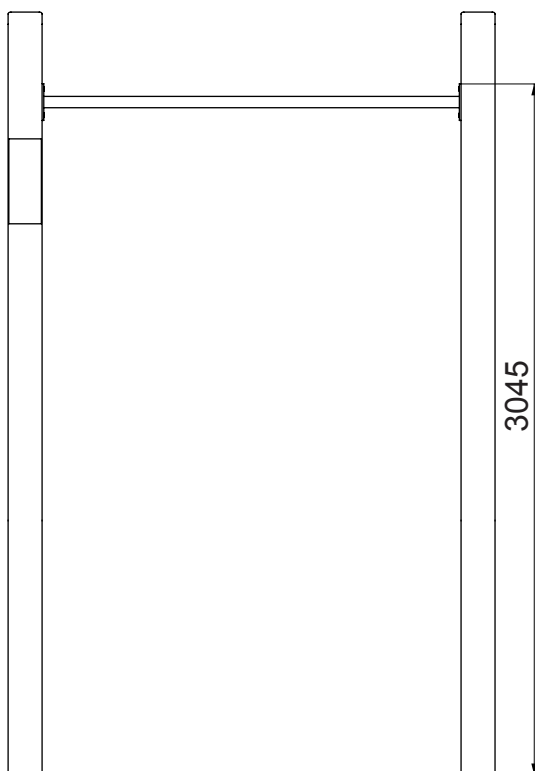
**— = EN11-76/77 STANDARD**



# INSTALLATION INSTRUCTIONS

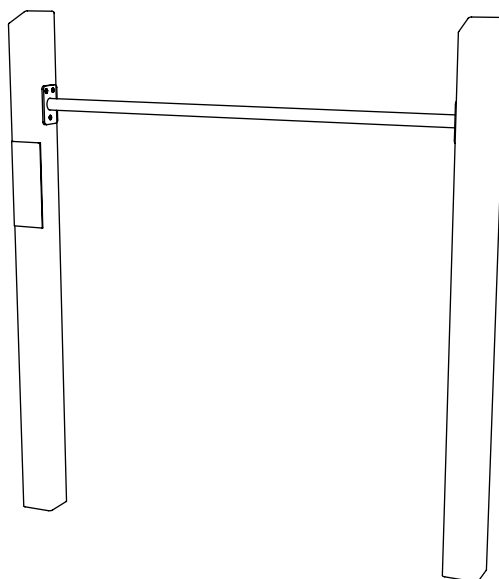
**1**

**ATTACH STANDARD BAR TO GM201L-A AND GM201L-B TIMBERS**  
USING M8X80 SCREWS



**2**

**INSTALL GYM201H INTO THE GROUND**



# ADDITIONAL MEASUREMENTS

---

