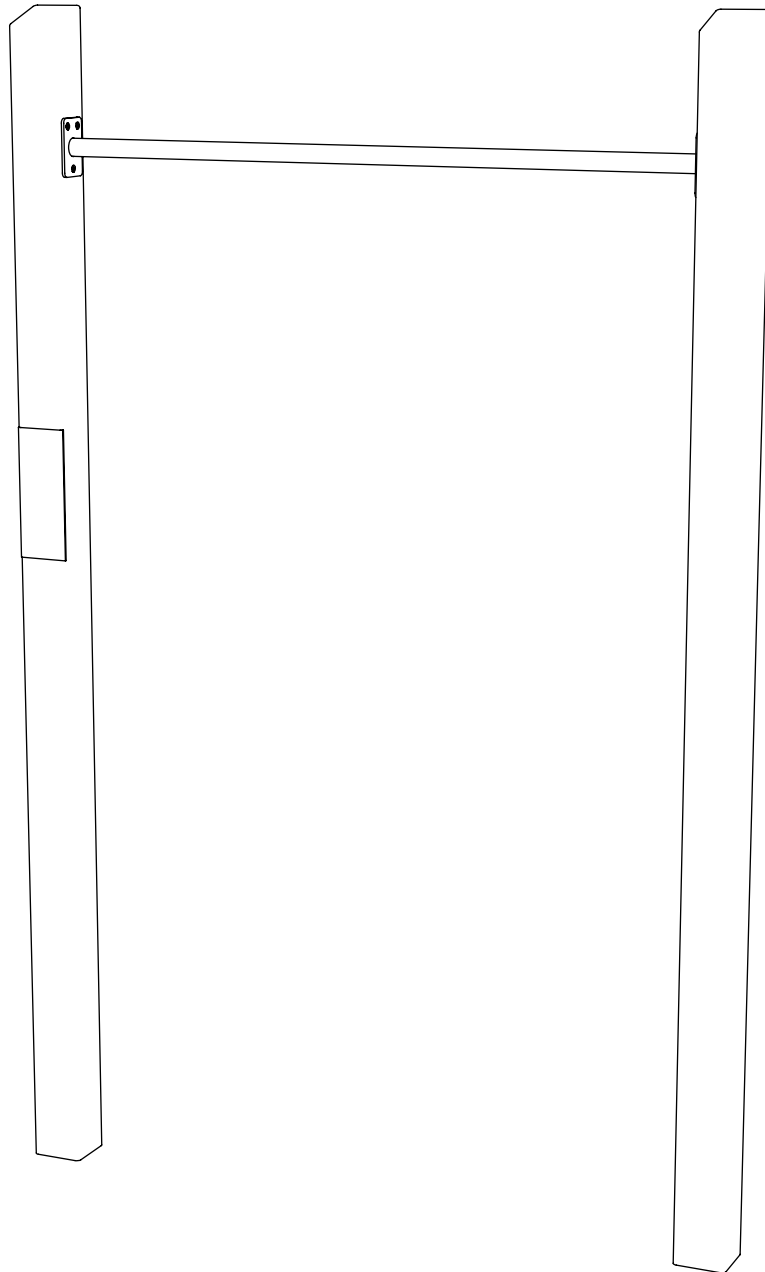


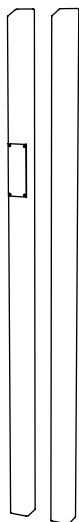
GYM201H - CHIN UP BARS - ADULT (HIGH)

Installation Instructions

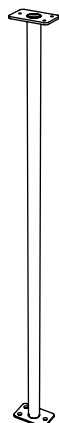
**creative
play**



PARTS REQUIRED



GYM201H-A & GYM201H-B

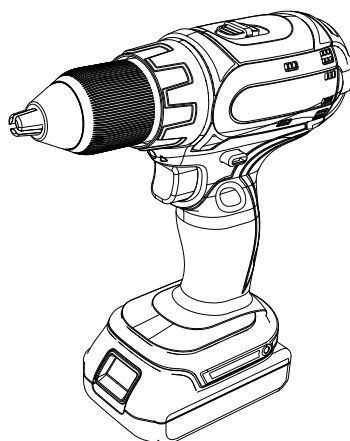
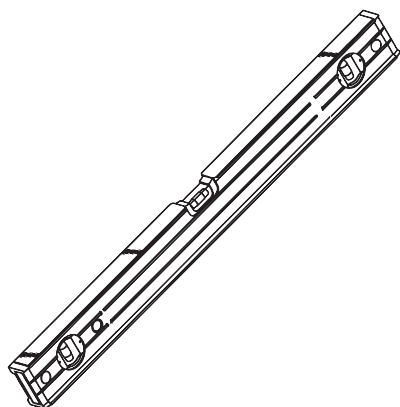


STANDARD BAR - 1480mm [X1]

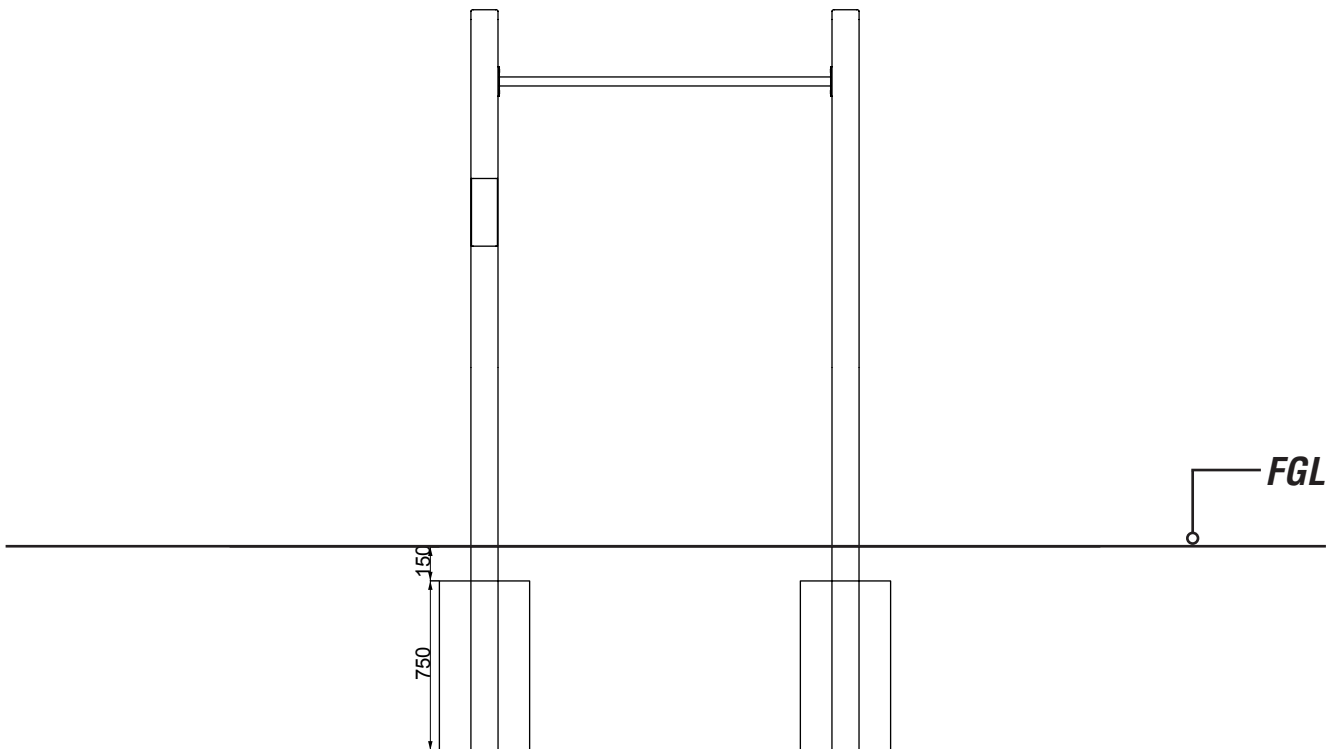
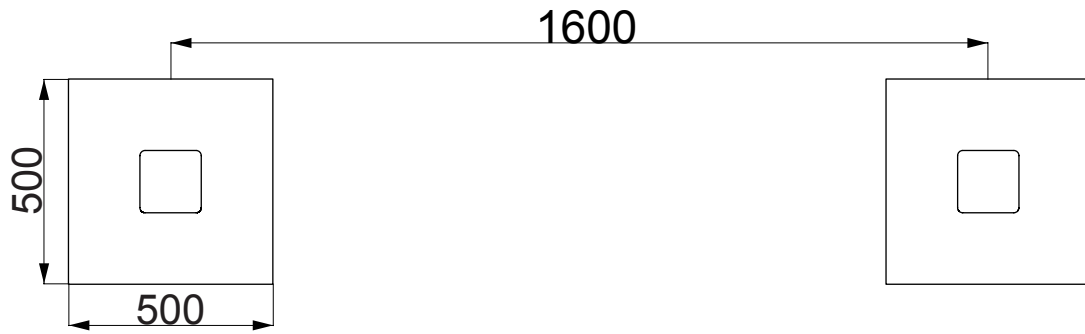


M8 X 80 SCREWS

TOOLS REQUIRED



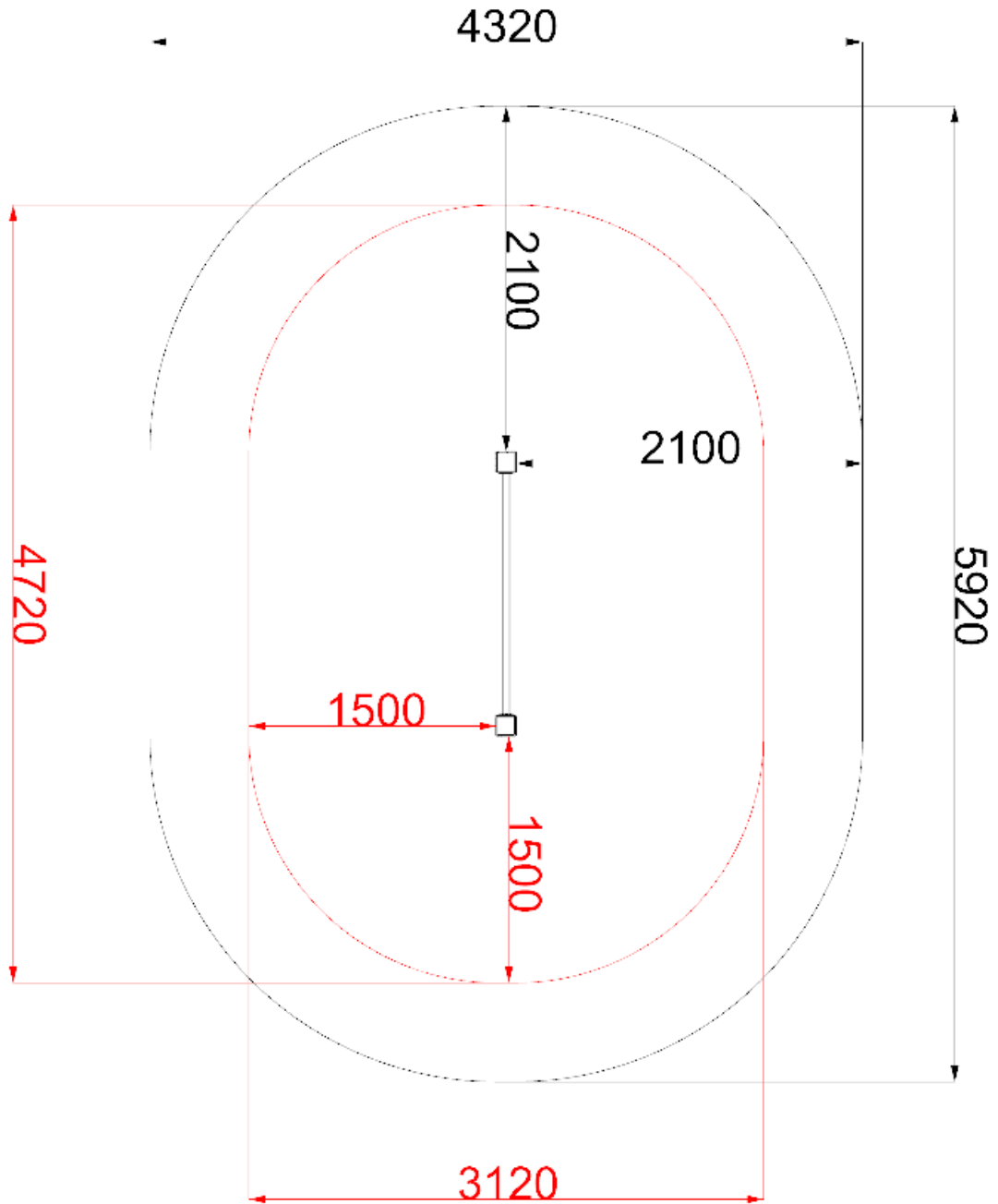
FOUNDATION DETAIL



SURFACING - OVERALL AREA

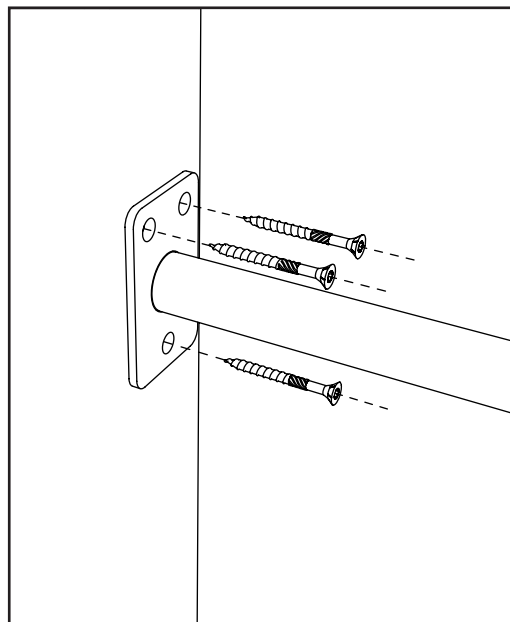
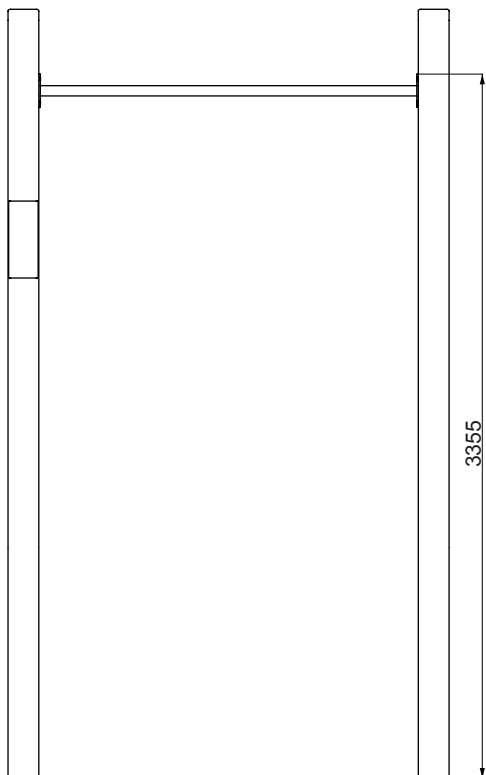
— = EN16630 STANDARD

— = EN11-76/77 STANDARD

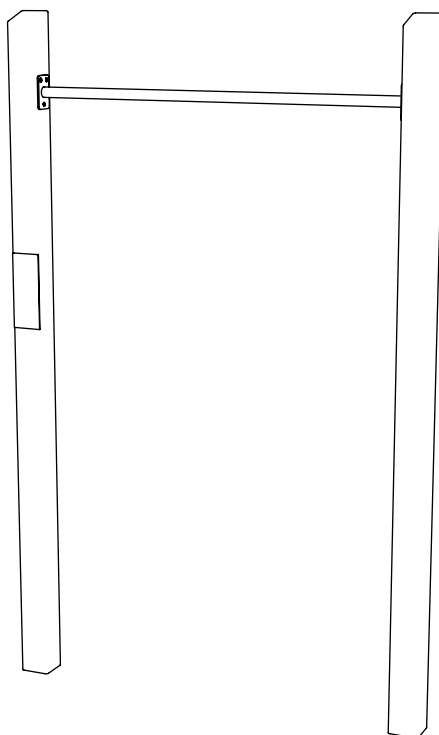


INSTALLATION INSTRUCTIONS

1 ATTACH STANDARD BAR TO GM101H-A AND GM101H-B TIMBERS USING M8X80 SCREWS



2 INSTALL GYM101H INTO THE GROUND



ADDITIONAL MEASUREMENTS

